

5 Nm 3.5 and 7.2 Watts 7.2 Watts Part number made to order



- Mechanical strength : 5 Nm
- Constant speed, dependent on supply frequency
- Direction of rotation controlled by dephasing capacitor
- Permanent magnet rotor
- UL, CSA approved ; comply with IEC standards

Part numbers

| Type | Type | Voltage / Frequency | Base speed of motor (rpm) | Output speed (250 rpm) | Ratios | |
|------------|-----------|---------------------|---------------------------|------------------------|--------|-------|
| 80 547 016 | 7.2 Watts | 80 547 0 | 230-240 V / 50 Hz | 250 | 6 | 41,66 |

Specifications

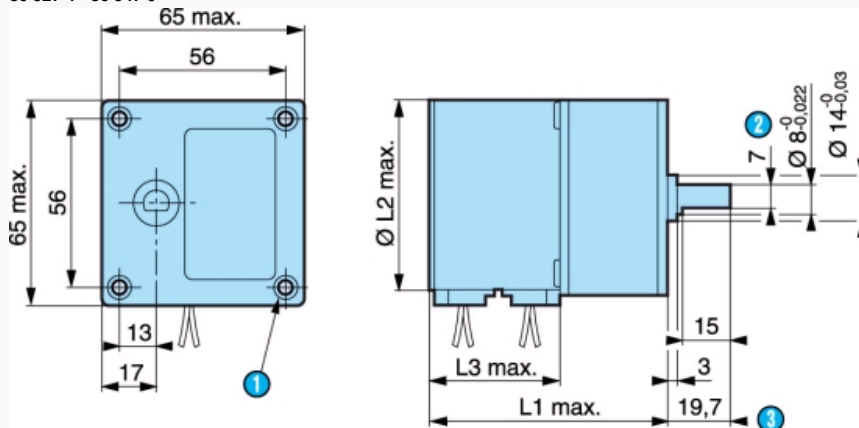
| | |
|---|-----------|
| Motor | 82 540 0 |
| Gearbox | 81 037 0 |
| Maximum permitted continuous rated gearbox output torque for 1 million revolutions of gearbox output shaft (Nm) | 5 |
| Axial load static (daN) | 2 |
| Radial load static (daN) | 3 |
| Absorbed power (W) | 7,2 |
| Motors output (W) | 2,65 |
| Maximum temperature rise (°C) | 55 |
| Ambient temperature (°C) | -10 → +70 |
| Weight (g) | 860 |
| Wires length mm (approximately) | 250 |
| Protection rating | IP40 |

Accessories

| Voltages/Frequencies | µF | V AC | Code |
|-------------------------------|------------|------|------------|
| Capacitors for motor 82 540 0 | | | |
| 230-240 V 50 Hz | 0,22 ± 5 % | 480 | 26 231 909 |
| 115 V - 60 Hz | 0,56 ± 5 % | 240 | 26 231 822 |
| 24 V - 50 Hz | 22 ± 10 % | 63 | 26 231 703 |
| 24 V - 60 Hz | 15 ± 5 % | 70 | 26 231 728 |

Dimensions (mm)

80 527 4 - 80 547 0

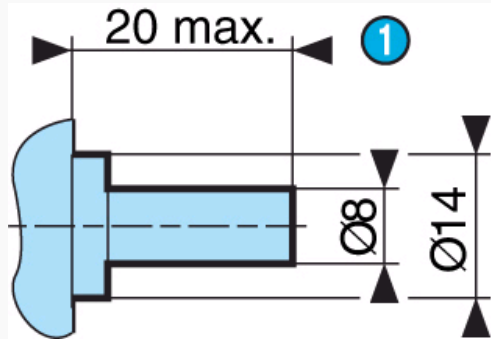


| N° | Legend |
|----|-------------------|
| ① | 4 holes depth 12M |
| ② | 7 across flat |

| | |
|---|---|
| ① | (pushed-in shaft) |
| | 80 527 4 L1 = 59.2 mm Ø L2 = 51.3 mm L3 = 25.6 mm |
| | 80 547 0 L1 = 76.6 mm Ø L2 = 65.3 mm L3 = 43 mm |

Dimensions (mm)

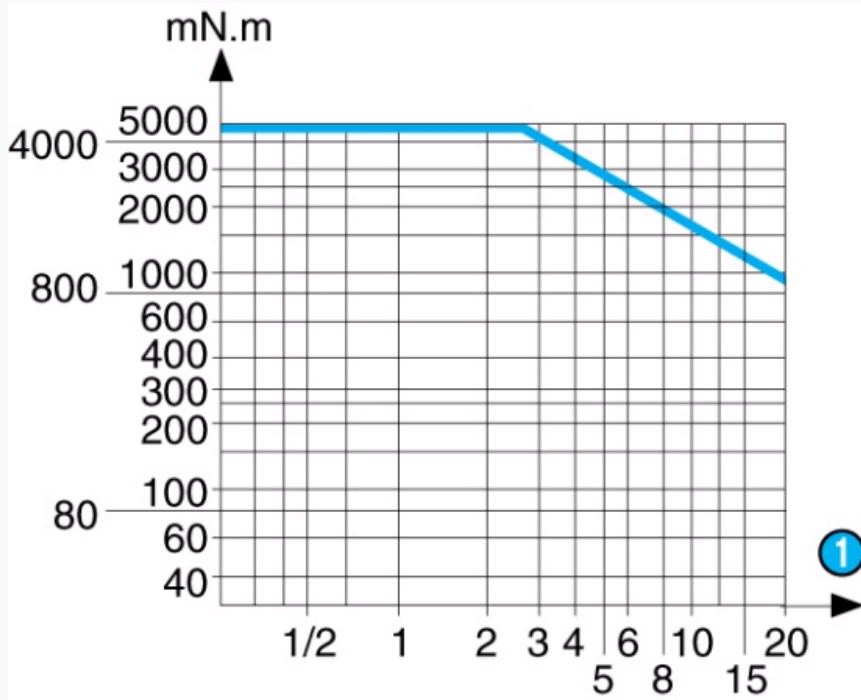
Shaft 79 206 478



| N° | Legend |
|----|--------------------|
| ① | (pushed-in shaft) |

Curves

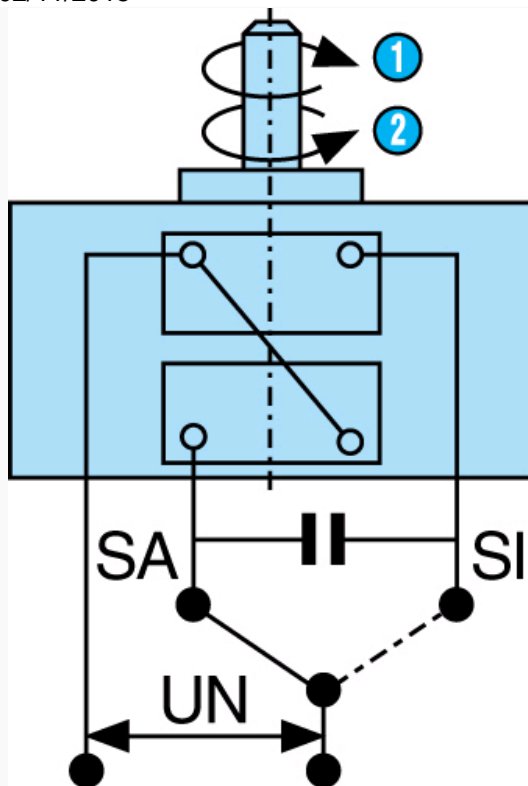
Torque/speed curves 80 547 0



| N° | Legend |
|----|--------|
| ① | RPM |

Connections

In parallel
Motors 82 520 4 - 82 540 0



| N° | Legend |
|----|---------------------|
| 1 | SA : clockwise |
| 2 | SI : anti-clockwise |

Product adaptations



- Different voltages available
- Special cable lengths
- Special connectors
- Special output shafts
- Special gearbox ratios
- Special gear wheel material
- Special output bearings