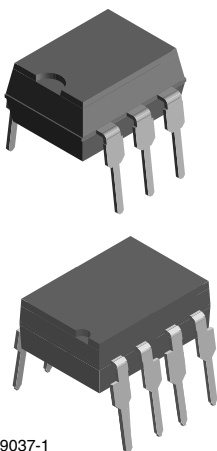
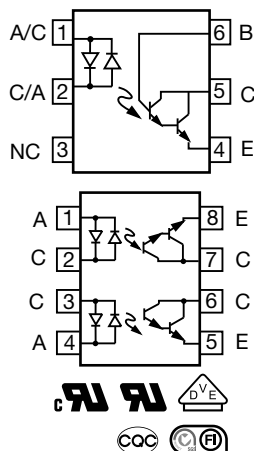




Optocoupler, Photodarlington Output, AC Input, High Gain (Single, Dual Channel)



i179037-1



FEATURES

- AC or polarity insensitive inputs
- Built-in reverse polarity input protection
- Industry standard DIP package
- Material categorization: for definitions of compliance please see www.vishay.com/doc?99912



RoHS COMPLIANT

APPLICATIONS

- Designed for applications requiring detection or monitoring of AC signals

AGENCY APPROVALS

- [UL 1577](#)
- [cUL](#)
- DIN EN 60747-5-5 (VDE 0884-5), available with option 1 for:
 - [IL755](#)
 - [ILD755](#)
- [CQC GB8898](#)
- [CQC GB4943.1](#)
- [BSI](#)

LINKS TO ADDITIONAL RESOURCES



DESCRIPTION

The IL755, ILD755 are bidirectional input optically coupled isolators. They consist of two gallium arsenide infrared emitting diodes coupled to a silicon NPN photodarlington per channel.

The IL755 is single channel Darlington optocoupler. The ILD755 has two isolated channels in a single DIP package.

ORDERING INFORMATION				
I	L	x	7	5
PART NUMBER				
		-	#	X
		CTR BIN		0
		PACKAGE OPTION		#
				#
				T
				TAPE AND REEL
				DIP-#
				Option 7
				7.62 mm
				> 0.7 mm
AGENCY CERTIFIED / PACKAGE	CTR (%)			
	SINGLE CHANNEL, 6 PIN		DUAL CHANNEL, 8 PIN	
	± 2 mA	± 1 mA	± 2 mA	± 1 mA
UL, cUL, BSI, CQC	≥ 750	≥ 1000	≥ 750	≥ 1000
DIP-#	IL755-1	IL755-2	ILD755-1	ILD755-2
SMD-#, option 7	IL755-1X007	IL755-2X007T	-	ILD755-2X007T
UL, cUL, BSI, CQC, VDE (option 1)	≥ 750	≥ 1000	≥ 750	≥ 1000
DIP-#	IL755-1X001	-	-	-
SMD-#, option 7	-	-	ILD755-1X017	-

Note

- Additional options may be possible, please contact sales office



ABSOLUTE MAXIMUM RATINGS ($T_{amb} = 25\text{ }^{\circ}\text{C}$, unless otherwise specified)					
PARAMETER	TEST CONDITION	PART	SYMBOL	VALUE	UNIT
INPUT					
Forward continuous current			I_F	60	mA
Power dissipation			P_{diss}	100	mW
Derate linearly from 25°C				1.33	mW/°C
OUTPUT					
Collector emitter breakdown voltage			BV_{CEO}	60	V
Collector base breakdown voltage			BV_{CBO}	60	V
Power dissipation		IL755-1	P_{diss}	200	mW
		IL755-2		200	mW
		ILD755-1		150	mW
		ILD755-2		150	mW
Derate linearly from 25°C		IL755-1		2.6	mW/°C
		IL755-2		2.6	mW/°C
		ILD755-1		2.0	mW/°C
		ILD755-2		2.0	mW/°C
COUPLER					
Total power dissipation		IL755-1	P_{tot}	250	mW
		IL755-2		250	mW
		ILD755-1		400	mW
		ILD755-2		400	mW
Derate linearly from 25 °C		IL755-1		3.0	mW/°C
		IL755-2		3.0	mW/°C
		ILD755-1		3.0	mW/°C
		ILD755-2		3.0	mW/°C
Storage temperature			T_{stg}	-55 to +150	°C
Operating temperature			T_{amb}	-55 to +100	°C
Lead soldering time at 260 °C				10	s

Note

- Stresses in excess of the absolute maximum ratings can cause permanent damage to the device. Functional operation of the device is not implied at these or any other conditions in excess of those given in the operational sections of this document. Exposure to absolute maximum ratings for extended periods of the time can adversely affect reliability.

ELECTRICAL CHARACTERISTICS ($T_{amb} = 25\text{ }^{\circ}\text{C}$, unless otherwise specified)						
PARAMETER	TEST CONDITION	SYMBOL	MIN.	TYP.	MAX.	UNIT
INPUT						
Forward voltage	$I_F = \pm 10\text{ mA}$	V_F		1.2	1.5	V
OUTPUT						
Collector emitter breakdown voltage	$I_C = 1.0\text{ mA}$	BV_{CEO}	60	75		V
Collector base breakdown voltage	$I_C = 10\text{ }\mu\text{A}$	BV_{CBO}	60	90		V
Collector emitter leakage current	$V_{CE} = 10\text{ V}, I_F = 0\text{ A}$	I_{CEO}		10	100	nA
COUPLER						
Collector emitter saturation voltage	$I_C = 10\text{ mA}, I_F = \pm 10\text{ mA}$	V_{CEsat}			1	V

Note

- Minimum and maximum values are testing requirements. Typical values are characteristics of the device and are the result of engineering evaluation. Typical values are for information only and are not part of the testing requirements.



CURRENT TRANSFER RATIO ($T_{amb} = 25\text{ }^{\circ}\text{C}$, unless otherwise specified)							
PARAMETER	TEST CONDITION	PART	SYMBOL	MIN.	TYP.	MAX.	UNIT
Current transfer ratio	$I_F = \pm 2\text{ mA}$, $V_{CE} = 5.0\text{ V}$	IL755-1	CTR	750	-	-	%
	$I_F = \pm 2\text{ mA}$, $V_{CE} = 5.0\text{ V}$	ILD755-1	CTR	750	-	-	%
	$I_F = \pm 1\text{ mA}$, $V_{CE} = 5.0\text{ V}$	IL755-2	CTR	1000	-	-	%
	$I_F = \pm 1\text{ mA}$, $V_{CE} = 5.0\text{ V}$	ILD755-2	CTR	1000	-	-	%

SWITCHING CHARACTERISTICS ($T_{amb} = 25\text{ }^{\circ}\text{C}$, unless otherwise specified)							
PARAMETER	TEST CONDITION	PART	SYMBOL	MIN.	TYP.	MAX.	UNIT
Rise time	$V_{CC} = 10\text{ V}$, $I_F = \pm 2\text{ mA}$, $R_L = 100\text{ }\Omega$	IL755-1	t_r	-	50	-	μs
		ILD755-1	t_r	-	50	-	μs
Fall time	$V_{CC} = 10\text{ V}$, $I_F = \pm 2\text{ mA}$, $R_L = 100\text{ }\Omega$	IL755-1	t_f	-	50	-	μs
		ILD755-1	t_f	-	50	-	μs
Rise time	$V_{CC} = 10\text{ V}$, $I_F = \pm 1\text{ mA}$, $R_L = 100\text{ }\Omega$	IL755-2	t_r	-	70	-	μs
		ILD755-2	t_r	-	70	-	μs
Fall time	$V_{CC} = 10\text{ V}$, $I_F = \pm 1\text{ mA}$, $R_L = 100\text{ }\Omega$	IL755-2	t_f	-	70	-	μs
		ILD755-2	t_f	-	70	-	μs

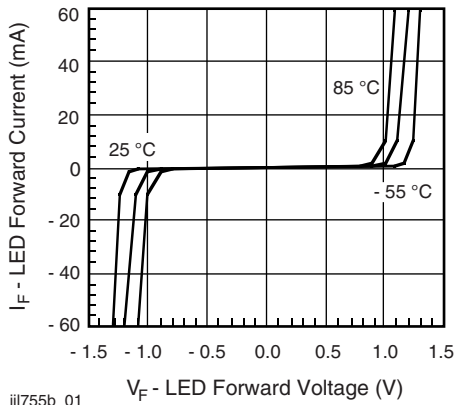
SAFETY AND INSULATION RATINGS				
PARAMETER	TEST CONDITION	SYMBOL	VALUE	UNIT
Climatic classification	According to IEC 68 part 1		55 / 100 / 21	
Comparative tracking index		CTI	175	
Maximum rated withstanding isolation voltage	$t = 1\text{ min}$	V_{ISO}	4420	V_{RMS}
Maximum transient isolation voltage		V_{IOTM}	10 000	V_{peak}
Maximum repetitive peak isolation voltage		V_{IORM}	890	V_{peak}
Isolation resistance	$V_{IO} = 500\text{ V}$, $T_{amb} = 25\text{ }^{\circ}\text{C}$	R_{IO}	$\geq 10^{12}$	Ω
	$V_{IO} = 500\text{ V}$, $T_{amb} = 100\text{ }^{\circ}\text{C}$	R_{IO}	$\geq 10^{11}$	Ω
Output safety power		P_{SO}	400	mW
Input safety current		I_{SI}	275	mA
Safety temperature		T_S	175	$^{\circ}\text{C}$
Creepage distance			≥ 7	mm
Clearance distance			≥ 7	mm
Insulation thickness		DTI	≥ 0.4	mm

Note

- As per IEC 60747-5-5, § 7.4.3.8.2, this optocoupler is suitable for "safe electrical insulation" only within the safety ratings. Compliance with the safety ratings shall be ensured by means of protective circuits.

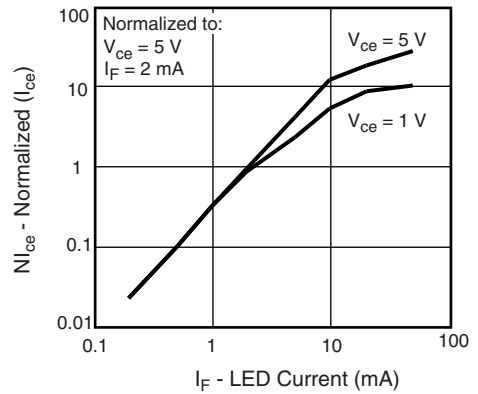


TYPICAL CHARACTERISTICS ($T_{amb} = 25\text{ }^{\circ}\text{C}$, unless otherwise specified)



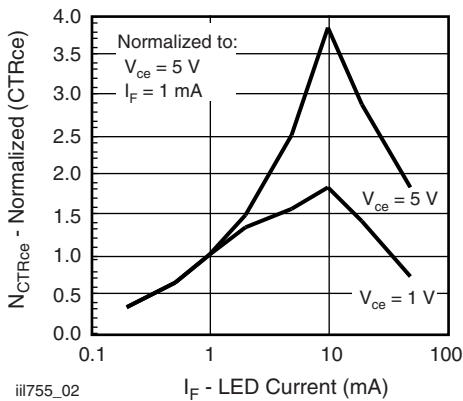
iii755b_01

Fig. 1 - LED Forward Current vs. Forward Voltage



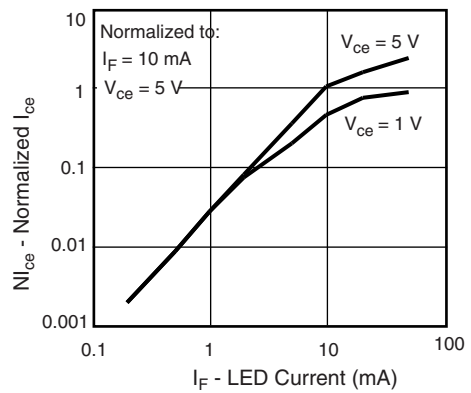
iii755_04

Fig. 4 - Normalized Non-Saturated and Saturated I_{CE} vs. LED Current



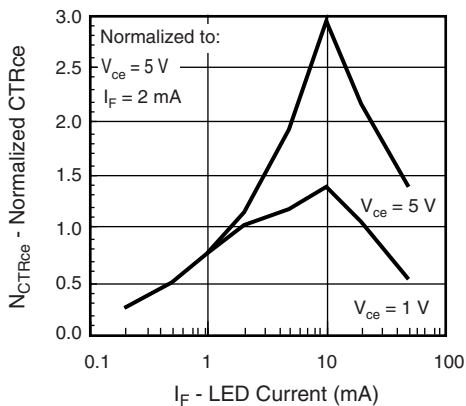
iii755_02

Fig. 2 - Normalized Non-Saturated and Saturated CTR_{CE} vs. LED Current



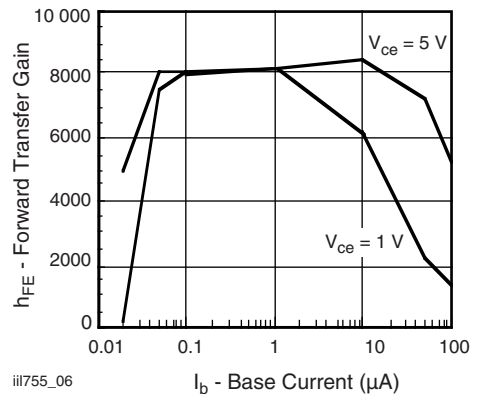
iii755_05

Fig. 5 - Normalized Non-Saturated and Saturated Collector-Emitter Current vs. LED Current



iii755_03

Fig. 3 - Normalized Non-Saturated and Saturated CTR_{CE} vs. LED Current



iii755_06

Fig. 6 - Non-Saturated and Saturated h_{FE} vs. Base Current

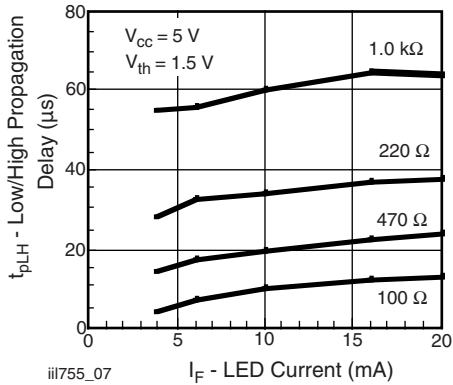


Fig. 7 - Low to High Propagation Delay vs. Collector Load Resistance and LED Current

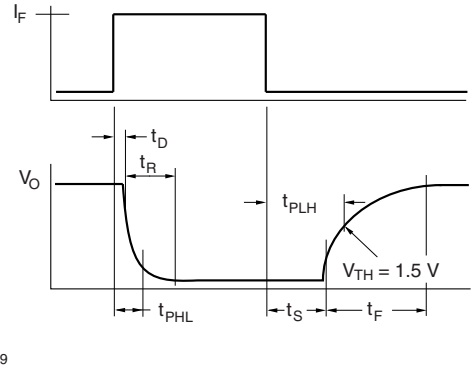


Fig. 9 - Switching Waveform

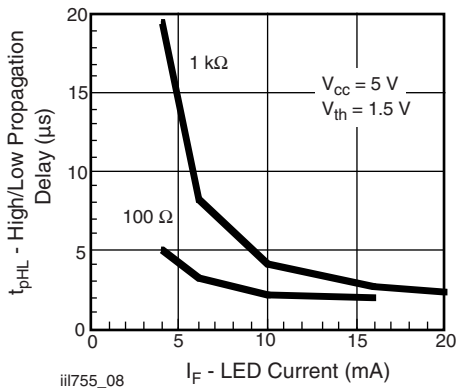


Fig. 8 - High to Low Propagation Delay vs. Collector Load Resistance and LED Current

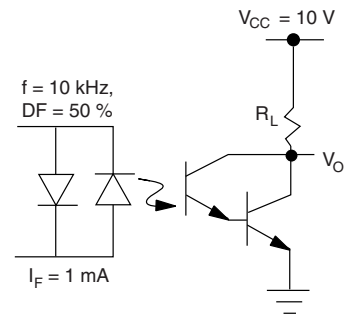
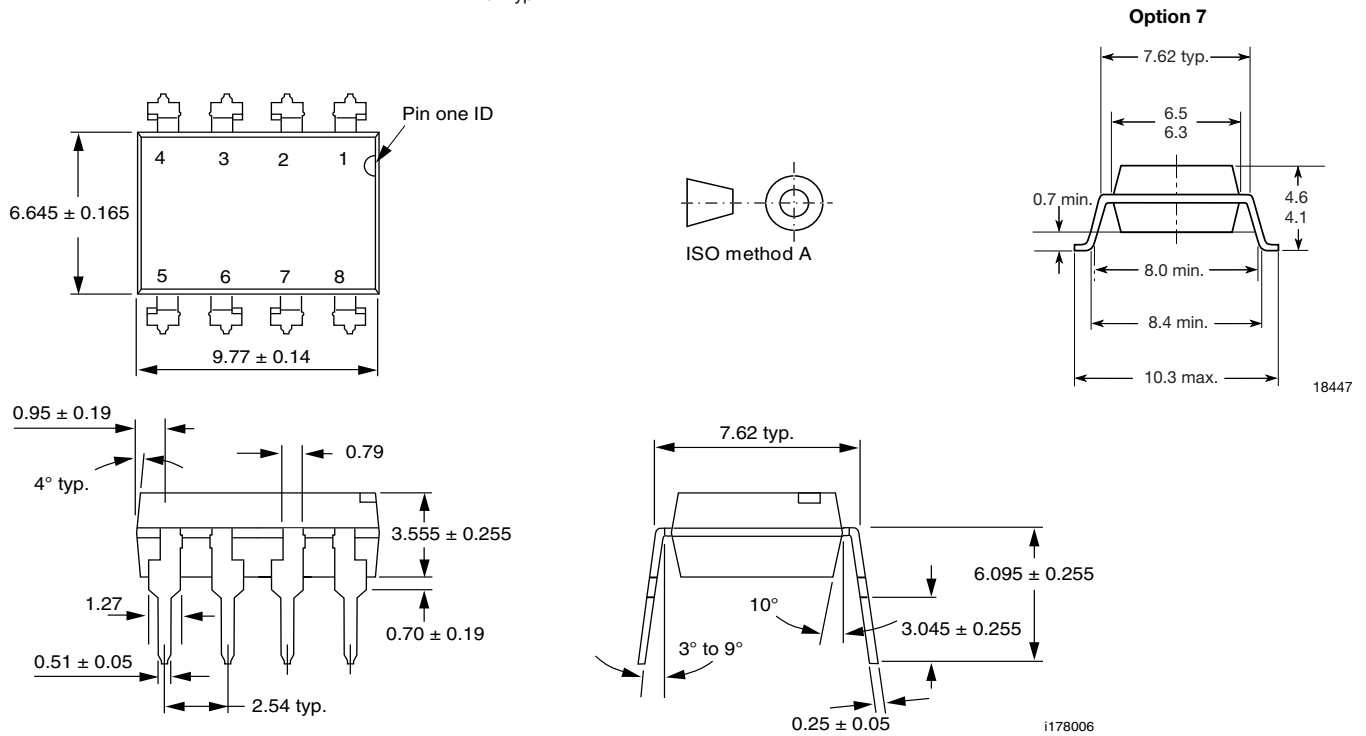
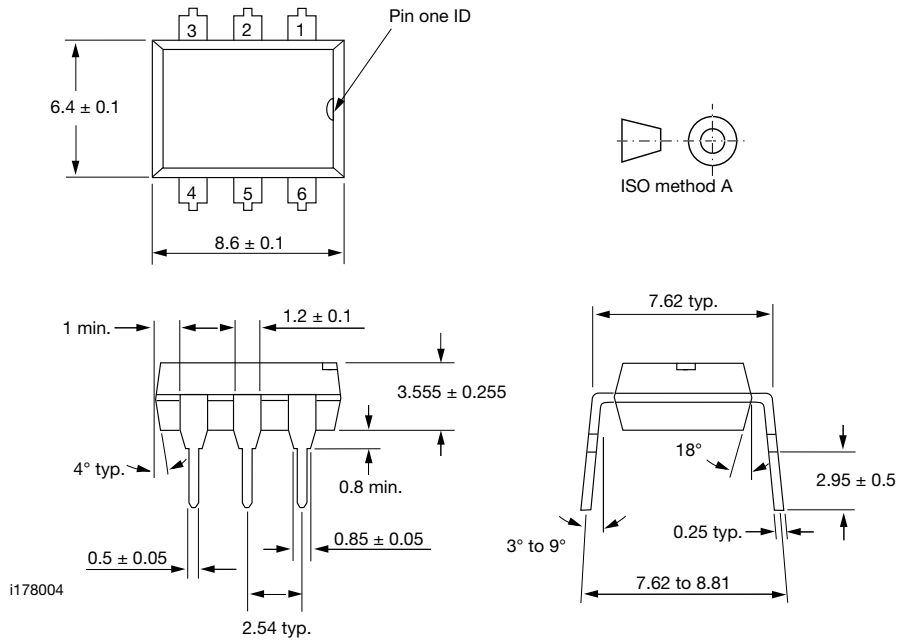


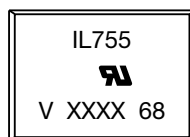
Fig. 10 - Test Circuit, Saturated and Non-Saturated Operation



PACKAGE DIMENSIONS in millimeters



PACKAGE MARKING (example)



Notes

- XXXX = LMC (lot marking code)
- The VDE logo is only marked on option 1 parts
- Tape and reel suffix (T) is not part of the package marking



Disclaimer

ALL PRODUCT, PRODUCT SPECIFICATIONS AND DATA ARE SUBJECT TO CHANGE WITHOUT NOTICE TO IMPROVE RELIABILITY, FUNCTION OR DESIGN OR OTHERWISE.

Vishay Intertechnology, Inc., its affiliates, agents, and employees, and all persons acting on its or their behalf (collectively, "Vishay"), disclaim any and all liability for any errors, inaccuracies or incompleteness contained in any datasheet or in any other disclosure relating to any product.

Vishay makes no warranty, representation or guarantee regarding the suitability of the products for any particular purpose or the continuing production of any product. To the maximum extent permitted by applicable law, Vishay disclaims (i) any and all liability arising out of the application or use of any product, (ii) any and all liability, including without limitation special, consequential or incidental damages, and (iii) any and all implied warranties, including warranties of fitness for particular purpose, non-infringement and merchantability.

Statements regarding the suitability of products for certain types of applications are based on Vishay's knowledge of typical requirements that are often placed on Vishay products in generic applications. Such statements are not binding statements about the suitability of products for a particular application. It is the customer's responsibility to validate that a particular product with the properties described in the product specification is suitable for use in a particular application. Parameters provided in datasheets and / or specifications may vary in different applications and performance may vary over time. All operating parameters, including typical parameters, must be validated for each customer application by the customer's technical experts. Product specifications do not expand or otherwise modify Vishay's terms and conditions of purchase, including but not limited to the warranty expressed therein.

Hyperlinks included in this datasheet may direct users to third-party websites. These links are provided as a convenience and for informational purposes only. Inclusion of these hyperlinks does not constitute an endorsement or an approval by Vishay of any of the products, services or opinions of the corporation, organization or individual associated with the third-party website. Vishay disclaims any and all liability and bears no responsibility for the accuracy, legality or content of the third-party website or for that of subsequent links.

Vishay products are not designed for use in life-saving or life-sustaining applications or any application in which the failure of the Vishay product could result in personal injury or death unless specifically qualified in writing by Vishay. Customers using or selling Vishay products not expressly indicated for use in such applications do so at their own risk. Please contact authorized Vishay personnel to obtain written terms and conditions regarding products designed for such applications.

No license, express or implied, by estoppel or otherwise, to any intellectual property rights is granted by this document or by any conduct of Vishay. Product names and markings noted herein may be trademarks of their respective owners.