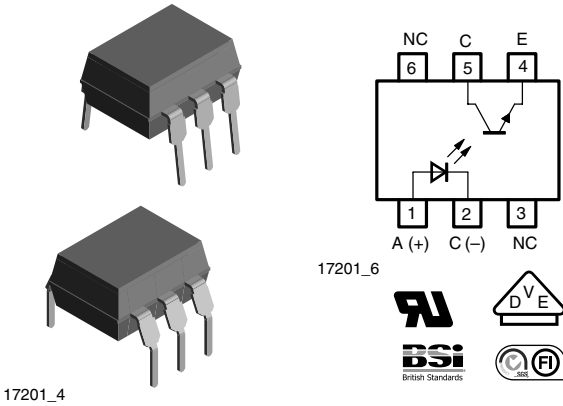


## Optocoupler, Phototransistor Output



### FEATURES

- High common mode rejection
- Four CTR groups available
- Compliant to RoHS directive 2002/95/EC and in accordance to WEEE 2002/96/EC



**RoHS**  
COMPLIANT

### APPLICATIONS

- Switch-mode power supplies
- Line receiver
- Computer peripheral interface
- Microprocessor system interface
- Reinforced isolation provides circuit protection against electrical shock (safety class II)
- Circuits for safe protective separation against electrical shock according to safety class II (reinforced isolation):
  - for appl. class I - IV at mains voltage  $\leq 300$  V
  - for appl. class I - III at mains voltage  $\leq 600$  V according to DIN EN 60747-5-5

### DESCRIPTION

The TCDT1120(G) series consists of a phototransistor optically coupled to a gallium arsenide infrared emitting diode in a 6 lead plastic dual in line package.

### AGENCY APPROVALS

- UL1577, file no. E52744, double protection
- BSI IEC 60950 IEC 60065
- DIN EN 60747-5-5 (VDE 0884)
- FIMKO
- cUL tested to CSA 22.2 bulletin 5A

ORDER INFORMATION <sup>(1)</sup>	
PART	REMARKS
TCDT1120	CTR > 40 %, DIP-6
TCDT1122	CTR 63 % to 125 %, DIP-6
TCDT1123	CTR 100 % to 200 %, DIP-6
TCDT1124	CTR 160 % to 320 %, DIP-6
TCDT1120G	CTR > 40 %, DIP-6
TCDT1122G	CTR 63 % to 125 %, DIP-6
TCDT1123G	CTR 100 % to 200 %, DIP-6
TCDT1124G	CTR 160 % to 320 %, DIP-6

### Note

<sup>(1)</sup> G = leadform 10.16 mm; G is not marked on the body.

ABSOLUTE MAXIMUM RATINGS (1)				
PARAMETER	TEST CONDITION	SYMBOL	VALUE	UNIT
<b>INPUT</b>				
Reverse voltage		$V_R$	5	V
Forward current		$I_F$	60	mA
Forward surge current	$t_p \leq 10 \mu\text{s}$	$I_{FSM}$	3	A
Power dissipation		$P_{diss}$	100	mW
Junction temperature		$T_j$	125	°C
<b>OUTPUT</b>				
Collector emitter voltage		$V_{CEO}$	70	V
Emitter collector voltage		$V_{ECO}$	7	V
Collector current		$I_C$	50	mA
Collector peak current	$t_p/T = 0.5, t_p \leq 10 \text{ ms}$	$I_{CM}$	100	mA
Power dissipation		$P_{diss}$	150	mW
Junction temperature		$T_j$	125	°C
<b>COUPLER</b>				
Isolation test voltage (RMS)	$t = 1 \text{ s}$	$V_{ISO}$	5000	$V_{RMS}$
Total power dissipation		$P_{tot}$	250	mW
Ambient temperature range		$T_{amb}$	- 55 to + 100	°C
Storage temperature range		$T_{stg}$	- 55 to + 125	°C
Soldering temperature (2)	2 mm from case, $t \leq 10 \text{ s}$	$T_{sld}$	260	°C

### Notes

(1)  $T_{amb} = 25 \text{ }^\circ\text{C}$ , unless otherwise specified.

Stresses in excess of the absolute maximum ratings can cause permanent damage to the device. Functional operation of the device is not implied at these or any other conditions in excess of those given in the operational sections of this document. Exposure to absolute maximum ratings for extended periods of the time can adversely affect reliability.

(2) Refer to wave profile for soldering conditions for through hole devices (DIP).

ELECTRICAL CHARACTERISTICS (1)						
PARAMETER	TEST CONDITION	SYMBOL	MIN.	TYP.	MAX.	UNIT
<b>INPUT</b>						
Forward voltage	$I_F = 50 \text{ mA}$	$V_F$		1.25	1.6	V
Junction capacitance	$V_R = 0 \text{ V}, f = 1 \text{ MHz}$	$C_j$		50		pF
<b>OUTPUT</b>						
Collector base voltage	$I_C = 100 \mu\text{A}$	$V_{CBO}$	90			V
Collector emitter voltage	$I_C = 1 \text{ mA}$	$V_{CEO}$	90			V
Emitter collector voltage	$I_E = 100 \mu\text{A}$	$V_{ECO}$	7			V
Collector emitter cut-off current	$V_{CE} = 20 \text{ V}, I_F = 0 \text{ A}$	$I_{CEO}$			150	nA
<b>COUPLER</b>						
Collector emitter saturation voltage	$I_F = 10 \text{ mA}, I_C = 1 \text{ mA}$	$V_{CEsat}$			0.3	V
Cut-off frequency	$V_{CE} = 5 \text{ V}, I_F = 10 \text{ mA}, R_L = 100 \Omega$	$f_c$		110		kHz
Coupling capacitance	$f = 1 \text{ MHz}$	$C_k$		0.3		pF

### Note

(1)  $T_{amb} = 25 \text{ }^\circ\text{C}$ , unless otherwise specified.

Minimum and maximum values are tested requirements. Typical values are characteristics of the device and are the result of engineering evaluations. Typical values are for information only and are not part of the testing requirements.



CURRENT TRANSFER RATIO								
PARAMETER	TEST CONDITION	PART	SYMBOL	MIN.	TYP.	MAX.	UNIT	
$I_C/I_F$	$V_{CE} = 5\text{ V}, I_F = 1\text{ mA}$	TCDT1120	CTR	10			%	
		TCDT1120G						
		TCDT1122	CTR	15			%	
		TCDT1122G						
		TCDT1123	CTR	30			%	
		TCDT1123G						
		TCDT1124	CTR	60			%	
		TCDT1124G						
	$V_{CE} = 5\text{ V}, I_F = 10\text{ mA}$	TCDT1120	CTR	40				%
		TCDT1120G						
		TCDT1122	CTR	63		125		%
		TCDT1122G						
		TCDT1123	CTR	100		200		%
		TCDT1123G						
TCDT1124	CTR	160		320		%		
TCDT1124G								

MAXIMUM SAFETY RATINGS (1)						
PARAMETER	TEST CONDITION	SYMBOL	MIN.	TYP.	MAX.	UNIT
<b>INPUT</b>						
Forward current		$I_F$			130	mA
<b>OUTPUT</b>						
Power dissipation		$P_{diss}$			265	mW
<b>COUPLER</b>						
Rated impulse voltage		$V_{IOTM}$			6	kV
Safety temperature		$T_{si}$			150	°C

**Note**

(1) According to DIN EN 60747-5-5 (see figure 2). This optocoupler is suitable for safe electrical isolation only within the safety ratings. Compliance with the safety ratings shall be ensured by means of suitable protective circuits.

INSULATION RATED PARAMETERS						
PARAMETER	TEST CONDITION	SYMBOL	MIN.	TYP.	MAX.	UNIT
Partial discharge test voltage - routine test	100 %, $t_{test} = 1\text{ s}$	$V_{pd}$	1.6			kV
Partial discharge test voltage - lot test (sample test)	$t_{Tr} = 60\text{ s}, t_{test} = 10\text{ s},$ (see figure 2)	$V_{IOTM}$	6			kV
		$V_{pd}$	1.3			kV
Insulation resistance	$V_{IO} = 500\text{ V}$	$R_{IO}$	$10^{12}$			$\Omega$
	$V_{IO} = 500\text{ V}, T_{amb} \leq 100\text{ °C}$	$R_{IO}$	$10^{11}$			$\Omega$
	$V_{IO} = 500\text{ V}, T_{amb} \leq 150\text{ °C}$ (construction test only)	$R_{IO}$	$10^9$			$\Omega$

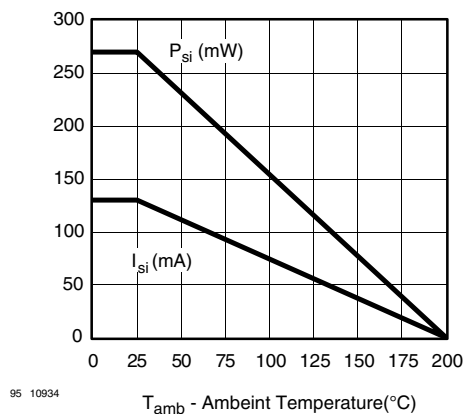


Fig. 1 - Derating Diagram

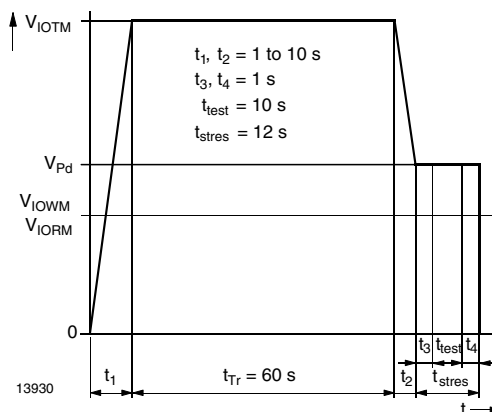


Fig. 2 - Test Pulse Diagram for Sample Test According to DIN EN 60747-5-5/DIN EN 60747-; IEC 60747

SWITCHING CHARACTERISTICS							
PARAMETER	TEST CONDITION	PART	SYMBOL	MIN.	TYP.	MAX.	UNIT
Current time	$V_S = 5\text{ V}, R_L = 100\ \Omega$ , (see figure 3)	TCDT1120	$I_F$		10		mA
		TCDT1120G					
		TCDT1123	$I_F$		10		mA
		TCDT1123G					
		TCDT1124	$I_F$		10		mA
TCDT1124G							
Delay time	$V_S = 5\text{ V}, R_L = 100\ \Omega$ , (see figure 3)	TCDT1120	$t_D$		2.5		$\mu\text{s}$
		TCDT1120G					
		TCDT1123	$t_D$		2.8		$\mu\text{s}$
		TCDT1123G					
		TCDT1124	$t_D$		2		$\mu\text{s}$
TCDT1124G							
Rise time	$V_S = 5\text{ V}, R_L = 100\ \Omega$ , (see figure 3)	TCDT1120	$t_r$		3		$\mu\text{s}$
		TCDT1120G					
		TCDT1123	$t_r$		4.2		$\mu\text{s}$
		TCDT1123G					
		TCDT1124	$t_r$		4		$\mu\text{s}$
TCDT1124G							
Storage time	$V_S = 5\text{ V}, R_L = 100\ \Omega$ , (see figure 3)	TCDT1120	$t_s$		0.3		$\mu\text{s}$
		TCDT1120G					
		TCDT1123	$t_s$		0.3		$\mu\text{s}$
		TCDT1123G					
		TCDT1124	$t_s$		0.3		$\mu\text{s}$
TCDT1124G							
Fall time	$V_S = 5\text{ V}, R_L = 100\ \Omega$ , (see figure 3)	TCDT1120	$t_f$		3.7		$\mu\text{s}$
		TCDT1120G					
		TCDT1123	$t_f$		4.7		$\mu\text{s}$
		TCDT1123G					
		TCDT1124	$t_f$		4.7		$\mu\text{s}$
TCDT1124G							

SWITCHING CHARACTERISTICS							
PARAMETER	TEST CONDITION	PART	SYMBOL	MIN.	TYP.	MAX.	UNIT
Turn-on time	$V_S = 5\text{ V}, R_L = 100\ \Omega$ , (see figure 3)	TCDT1120	$t_{on}$		5.5		$\mu\text{s}$
		TCDT1120G					
		TCDT1123	$t_{on}$		7		$\mu\text{s}$
		TCDT1123G					
		TCDT1124					
TCDT1124G							
Turn-off time	$V_S = 5\text{ V}, R_L = 100\ \Omega$ , (see figure 3)	TCDT1120	$t_{off}$		4		$\mu\text{s}$
		TCDT1120G					
		TCDT1123	$t_{off}$		5		$\mu\text{s}$
		TCDT1123G					
		TCDT1124					
TCDT1124G							
Turn-on time	$V_S = 5\text{ V}, R_L = 1\text{ k}\Omega$ , (see figure 4)	TCDT1120	$t_{on}$		16.5		$\mu\text{s}$
		TCDT1120G					
		TCDT1123	$t_{on}$		21.5		$\mu\text{s}$
		TCDT1123G					
		TCDT1124					
TCDT1124G							
Turn-off time	$V_S = 5\text{ V}, R_L = 1\text{ k}\Omega$ , (see figure 4)	TCDT1120	$t_{off}$		22.5		$\mu\text{s}$
		TCDT1120G					
		TCDT1123	$t_{off}$		37.5		$\mu\text{s}$
		TCDT1123G					
		TCDT1124					
TCDT1124G							

## TYPICAL CHARACTERISTICS

$T_{amb} = 25\text{ }^\circ\text{C}$ , unless otherwise specified

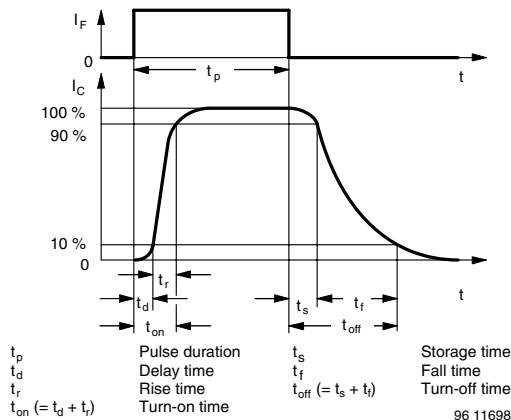


Fig. 3 - Switching Times

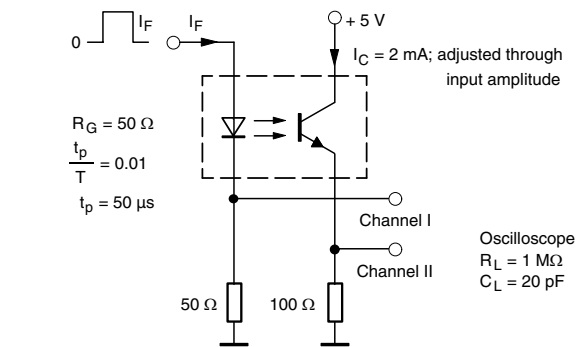


Fig. 4 - Test Circuit, Non-Saturated Operation

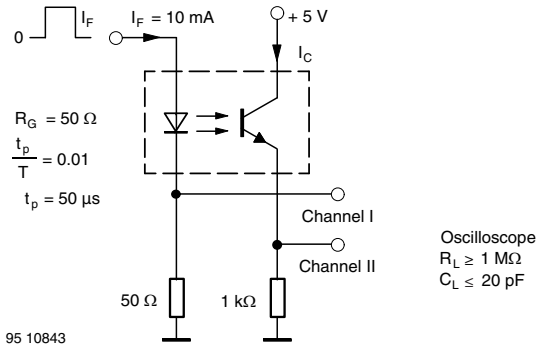


Fig. 5 - Test Circuit, Saturated Operation

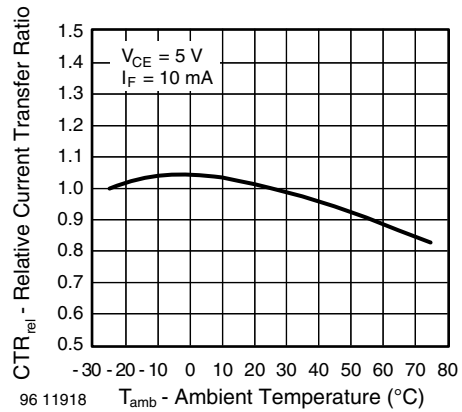


Fig. 8 - Relative Current Transfer Ratio vs. Ambient Temperature

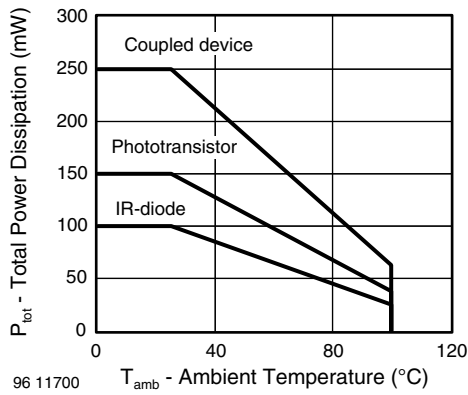


Fig. 6 - Total Power Dissipation vs. Ambient Temperature

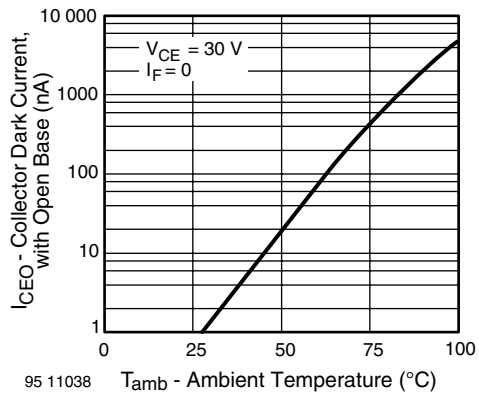


Fig. 9 - Collector Dark Current vs. Ambient Temperature

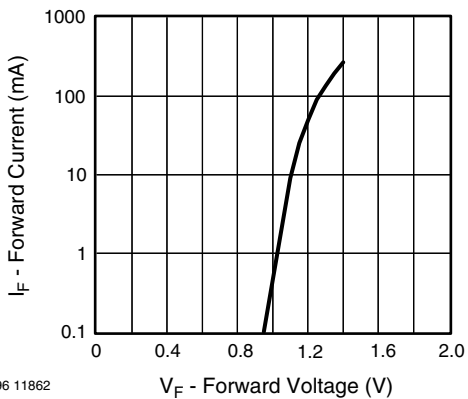


Fig. 7 - Forward Current vs. Forward Voltage

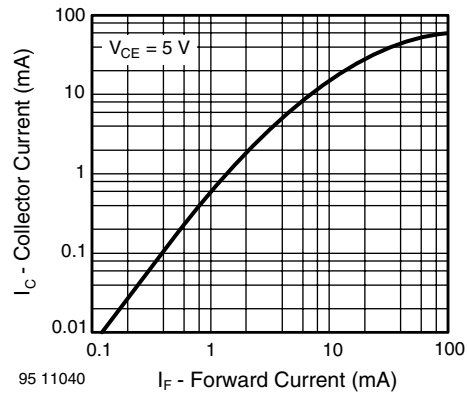


Fig. 10 - Collector Current vs. Forward Current

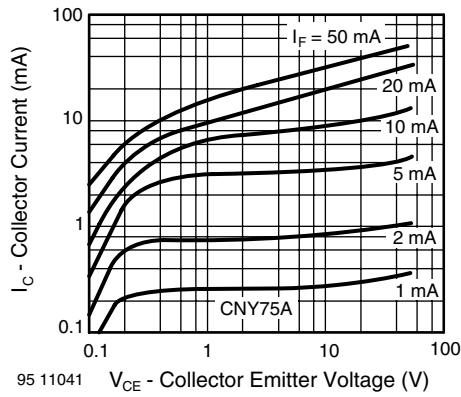


Fig. 11 - Collector Current vs. Collector Emitter Voltage

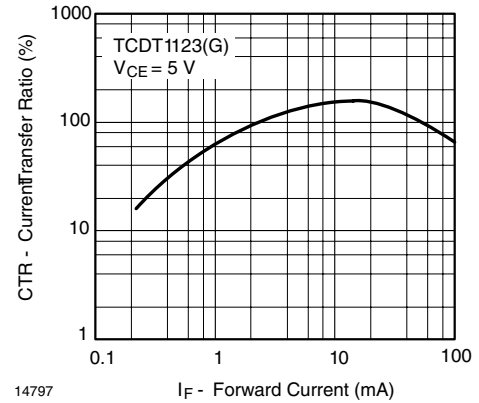


Fig. 14 - Current Transfer Ratio vs. Forward Current

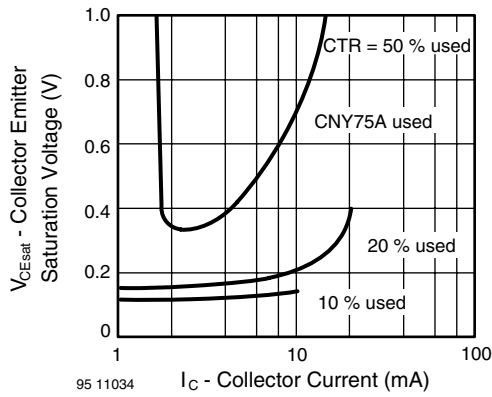


Fig. 12 - Collector Emitter Saturation Voltage vs. Collector Current

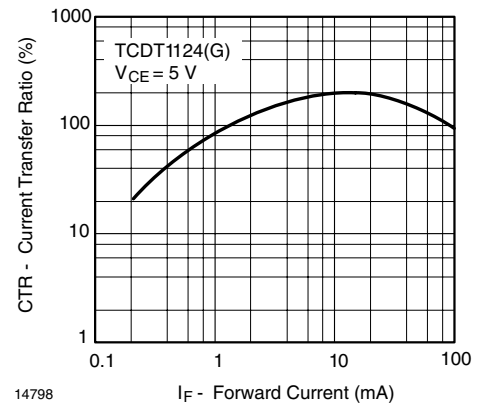


Fig. 15 - Current Transfer Ratio vs. Forward Current

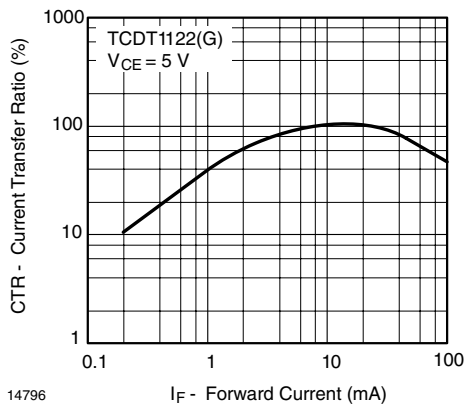


Fig. 13 - Current Transfer Ratio vs. Forward Current

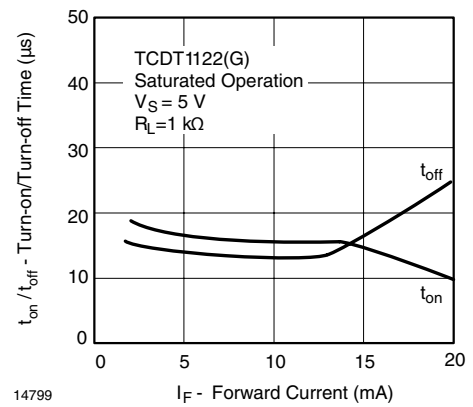


Fig. 16 - Turn-on/off Time vs. Forward Current

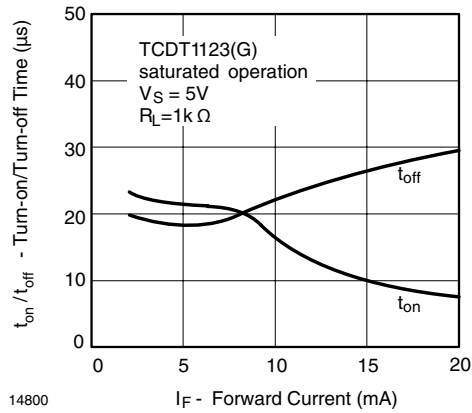


Fig. 17 - Turn-on/off Time vs. Forward Current

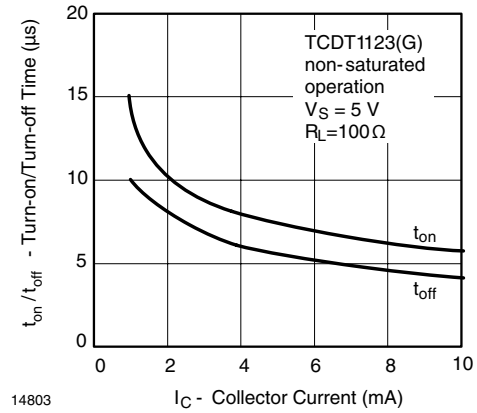


Fig. 20 - Turn-on/off Time vs. Collector Current

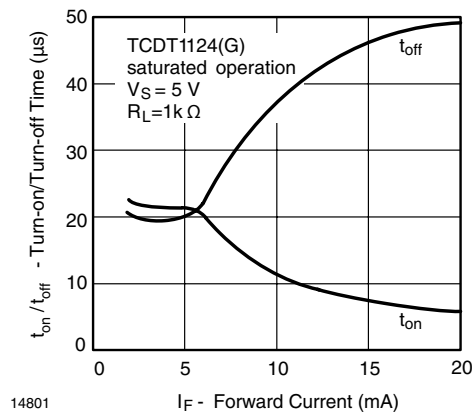


Fig. 18 - Turn-on/off Time vs. Forward Current

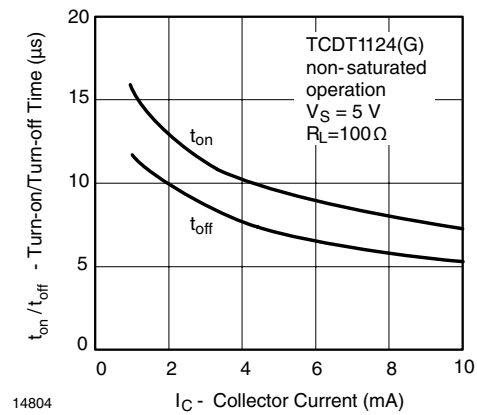


Fig. 21 - Turn-on/off Time vs. Collector Current

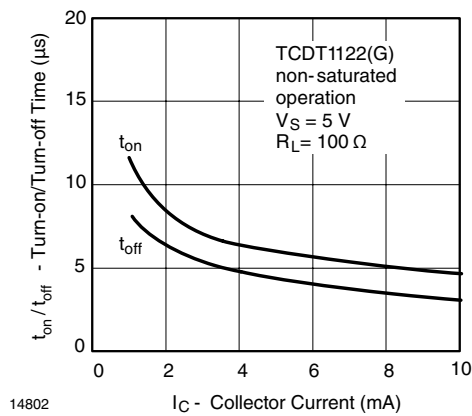


Fig. 19 - Turn-on/off Time vs. Collector Current



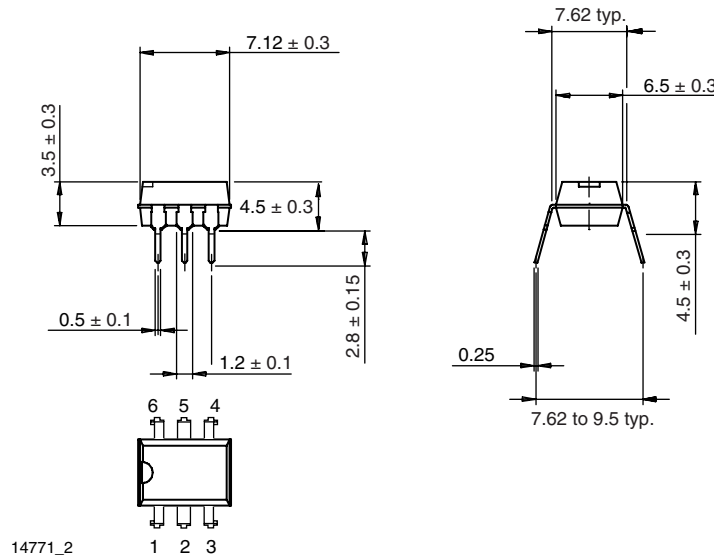


# TCDT1120, TCDT1120G

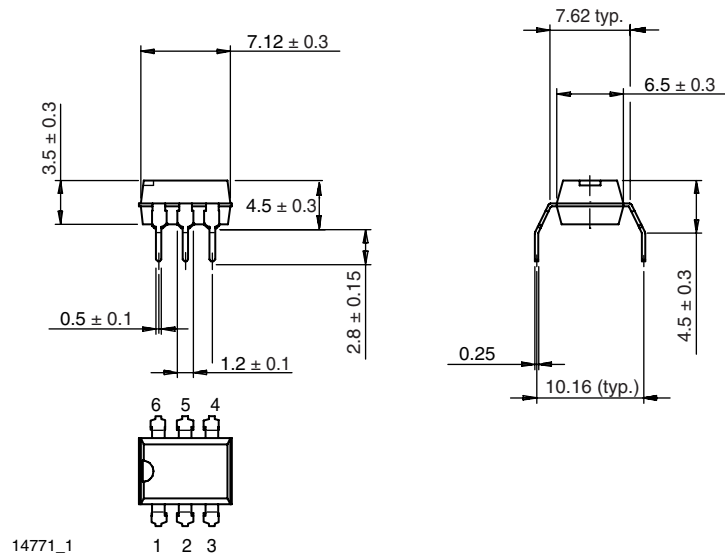
Optocoupler, Phototransistor Output Vishay Semiconductors

## PACKAGE DIMENSIONS in millimeters

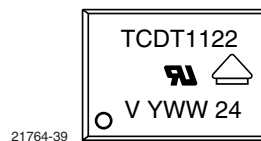
### DIP-6



### DIP-6, 400 mil



## PACKAGE MARKING



### Note

Example of marking used for the TCDT1122 and TCDT1122G



## **Disclaimer**

ALL PRODUCT, PRODUCT SPECIFICATIONS AND DATA ARE SUBJECT TO CHANGE WITHOUT NOTICE TO IMPROVE RELIABILITY, FUNCTION OR DESIGN OR OTHERWISE.

Vishay Intertechnology, Inc., its affiliates, agents, and employees, and all persons acting on its or their behalf (collectively, "Vishay"), disclaim any and all liability for any errors, inaccuracies or incompleteness contained in any datasheet or in any other disclosure relating to any product.

Vishay makes no warranty, representation or guarantee regarding the suitability of the products for any particular purpose or the continuing production of any product. To the maximum extent permitted by applicable law, Vishay disclaims (i) any and all liability arising out of the application or use of any product, (ii) any and all liability, including without limitation special, consequential or incidental damages, and (iii) any and all implied warranties, including warranties of fitness for particular purpose, non-infringement and merchantability.

Statements regarding the suitability of products for certain types of applications are based on Vishay's knowledge of typical requirements that are often placed on Vishay products in generic applications. Such statements are not binding statements about the suitability of products for a particular application. It is the customer's responsibility to validate that a particular product with the properties described in the product specification is suitable for use in a particular application. Parameters provided in datasheets and / or specifications may vary in different applications and performance may vary over time. All operating parameters, including typical parameters, must be validated for each customer application by the customer's technical experts. Product specifications do not expand or otherwise modify Vishay's terms and conditions of purchase, including but not limited to the warranty expressed therein.

Hyperlinks included in this datasheet may direct users to third-party websites. These links are provided as a convenience and for informational purposes only. Inclusion of these hyperlinks does not constitute an endorsement or an approval by Vishay of any of the products, services or opinions of the corporation, organization or individual associated with the third-party website. Vishay disclaims any and all liability and bears no responsibility for the accuracy, legality or content of the third-party website or for that of subsequent links.

Vishay products are not designed for use in life-saving or life-sustaining applications or any application in which the failure of the Vishay product could result in personal injury or death unless specifically qualified in writing by Vishay. Customers using or selling Vishay products not expressly indicated for use in such applications do so at their own risk. Please contact authorized Vishay personnel to obtain written terms and conditions regarding products designed for such applications.

No license, express or implied, by estoppel or otherwise, to any intellectual property rights is granted by this document or by any conduct of Vishay. Product names and markings noted herein may be trademarks of their respective owners.