

High Performance Regulators for PCs

Switching Regulator for DDR-SDRAM Cores



BD9535MUV

No.10030EBT34

●Description

BD9535MUV is a 2ch switching regulator controller with high output current which can achieve low output voltage (0.7V~2.0V) from a wide input voltage range (4.5V~25V). High efficiency for the switching regulator can be realized by utilizing an external N-MOSFET power transistor. A new technology called H³RegTM is a Rohm proprietary control method to realize ultra high transient response against load change. SLLMTM (Simple Light Load Mode) technology is also integrated to improve efficiency in light load mode, providing high efficiency over a wide load range. For the soft start/stop function, variable frequency function, short circuit protection function with timer latch, and tracking function are all built in. This 2ch switching regulator is specially designed for Chipset and Front Side Bus.

●Features

- 1) 2ch H³REGTM Switching Regulator Controller
- 2) Light Load Mode and Continuous Mode Changeable
- 3) Thermal Shut Down (TSD), Under Voltage LockOut (UVLO), Over Current (detect the peak current) Protection (OCP), Over Voltage Protection (OVP), Short circuit protection with built-in timer-latch
- 4) Soft start function to minimize rush current during startup
- 5) Switching Frequency Variable (f=200KHz~600kHz)
- 6) VQFN032V5050 package
- 7) Built-in Power good circuit
- 8) Adjustable to chip set spec by tracking function

●Applications

Laptop PC, Desktop PC, LCD-TV, Digital Components

●Maximum Absolute Ratings (Ta=25°C)

Parameter	Symbol	Ratings	Unit
Input Voltage 1	V _{CC}	7 *1	V
Input Voltage 2	V _{DD}	7 *1	V
Input Voltage 3	V _{IN}	30 *1	V
BOOT Voltage	V _{BOOT1/2}	35 *1	V
BOOT-SW Voltage	V _{BOOT1-V_{SW1}} , V _{BOOT2-V_{SW2}}	7 *1	V
HG-SW Voltage	V _{HG1-V_{SW1}} , V _{HG2-V_{SW2}}	7 *1	V
LG Voltage	V _{LG1/2}	V _{DD}	V
Setting for Output Voltage	V _{REF1/2}	V _{CC}	V
Output voltage	V _{Is+1/2} , V _{Is-1/2}	V _{CC}	V
SS Voltage	V _{SS1/2}	V _{CC}	V
FS Voltage	V _{FS}	V _{CC}	V
VREG voltage	V _{REG}	V _{CC}	V
Current Limit setting Voltage	V _{ILIM1/2}	V _{CC}	V
Logic Input Voltage	V _{EN1/2}	7 *1	V
PGOOD Voltage	V _{PGOOD1/2}	7 *1	V
CE Voltage	V _{CE1/2}	7 *1	V
Power dissipation	P _d	T.B.D	W
Operating Temperature Range	Topr	-10~+100	°C
Storage Temperature Range	Tstg	-55~+150	°C
Junction Temperature	Tjmax	+150	°C

*1 Not to exceed Pd.

●Operating Conditions (Ta=25°C)

Parameter	Symbol	Ratings		Unit
		Min.	Max.	
Input Voltage 1	V _{CC}	4.5	5.5	V
Input Voltage 2	V _{DD}	4.5	5.5	V
Input Voltage 3	V _{IN}	3.0	28	V
BOOT Voltage	V _{BOOT1/2}	4.5	30	V
SW Voltage	V _{SW1/2}	-2	33	V
BOOT-SW Voltage	V _{HG1-V_{SW1}} , V _{HG2-V_{SW2}}	4.5	5.5	V
Logic Input Voltage	V _{EN1/2}	0	5.5	V
Setting Voltage for Output Voltage	V _{REF1/2}	0.7	2.0	V
Is Input Voltage	V _{Is+1/2} , V _{Is-1/2}	0.7	2.0	V
MIN ON time	tonmin	-	100	nsec

★ This product should not be used in a radioactive environment.

●Electrical Characteristics (unless otherwise noted, Ta=25°C V_{CC}=5V, V_{DD}=5V, V_{EN}=3V, V_{IN}=12V, V_{REF}=1.8V, R_{FS}=68kΩ)

Parameter	Symbol	Limits			Unit	Conditions
		MIN.	TYP.	MAX.		
[Whole Device]						
VCC bias current	I _{CC}	-	1.4	2.0	mA	
VIN bias current	I _{IN}	-	200	400	μA	
VCC standby current	I _{Stb}	-	-	20	μA	V _{EN1} =V _{EN2} =0V
VIN standby current	I _{IN_Stb}	-	20	40	μA	V _{EN1} =V _{EN2} =0V
EN Low voltage 1,2	V _{EN_low1,2}	GND	-	0.8	V	
EN High voltage 1,2 (forced continuous mode)	V _{ENth_con1,2}	2.3	-	3.8	V	
EN High voltage 1,2 (SLLM™ mode)	V _{ENth_sllm1,2}	4.2	-	5.5	V	
EN bias current 1,2	I _{EN1,2}	-	7	10	μA	
VREG voltage	V _{REG1,2}	2.475	2.500	2.525	V	I _{REG} =500μA Ta=-10~100°C*2
[Under voltage lock out block]						
VCC threshold voltage	V _{CC_UVLO}	4.1	4.3	4.5	V	V _{CC} :Sweep up
VCC hysteresis voltage	dV _{CC_UVLO}	100	160	220	mV	V _{CC} :Sweep down
VIN threshold voltage	V _{IN_UVLO}	2.4	2.6	2.8	V	V _{IN} :Sweep up
VIN hysteresis voltage	dV _{IN_UVLO}	100	160	220	mV	V _{IN} :Sweep down
VREG threshold voltage	V _{REG_UVLO}	2.0	2.2	2.4	V	V _{REG} :Sweep up
VREG hysteresis voltage	dV _{REG_UVLO}	100	160	220	mV	V _{REG} :Sweep down
[Over Voltage Protection block]						
VOUT threshold voltage 1,2	V _{OUT_OVP1,2}	V _{REF} × 1.15	V _{REF} × 1.20	V _{REF} × 1.25	V	
[Power Good block]						
VOUT Power Good Low voltage 1,2	V _{PGOOD_low1,2}	V _{REF} × 0.87	V _{REF} × 0.90	V _{REF} × 0.93	V	
VOUT Power Good High voltage 1,2	V _{PGOOD_high1,2}	V _{REF} × 1.07	V _{REF} × 1.10	V _{REF} × 1.13	V	
Discharge ON resistance 1,2	R _{on_PGOOD1,2}	-	1.0	2.0	kΩ	
Delay time 1,2	T _{PGOOD1,2}	150	250	350	μsec	

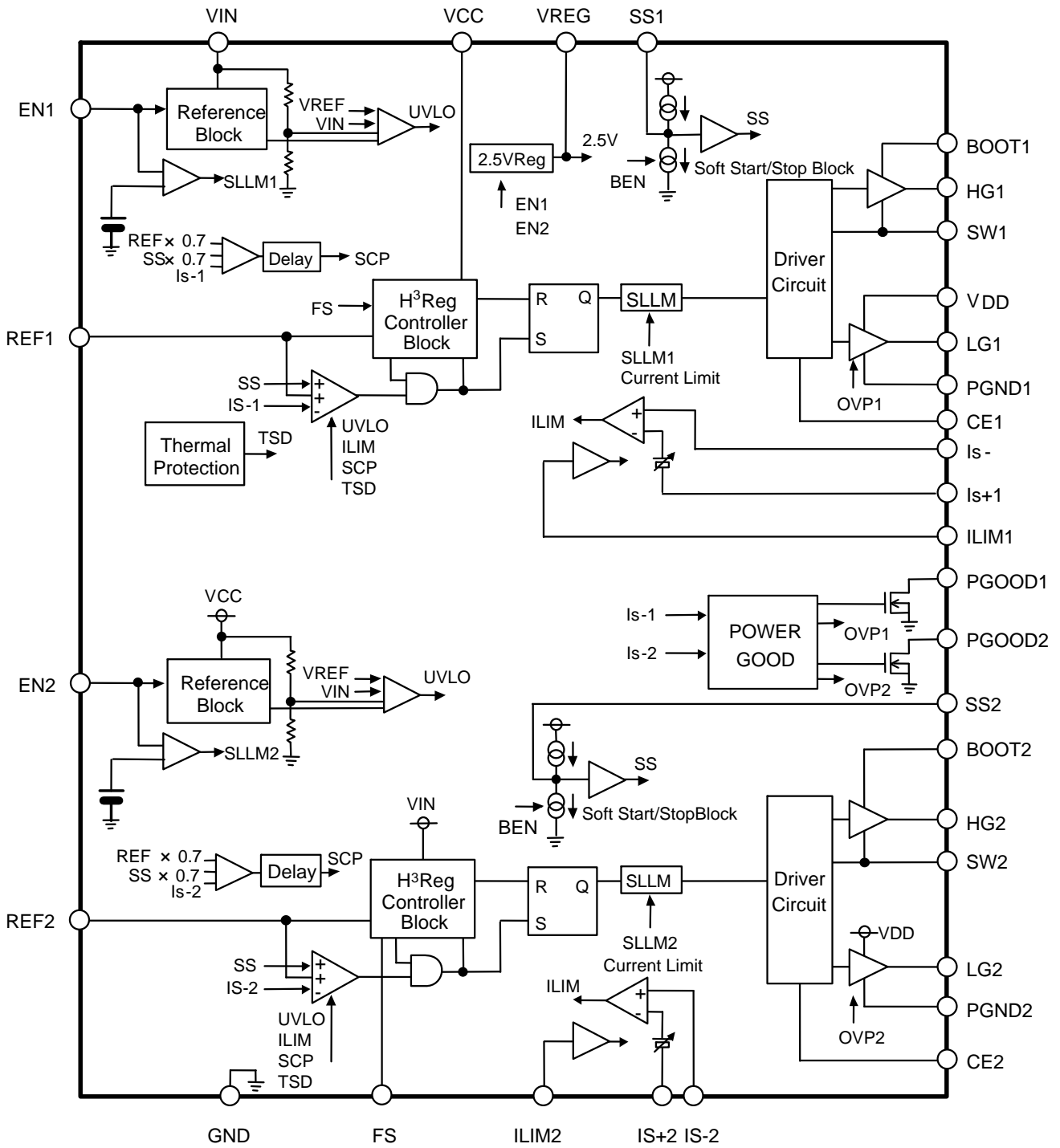
*2 Designed guarantee

●Electrical Characteristics (unless otherwise noted, Ta=25°C V_{CC}=5V, V_{DD}=5V, V_{EN}=3V, V_{IN}=12V, V_{REF}=1.8V, R_{FS}=68kΩ)

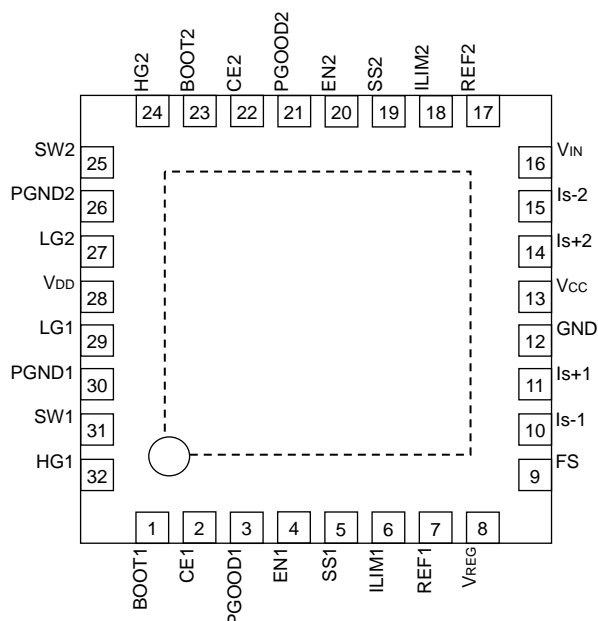
Parameter	Symbol	Limits			Unit	Conditions
		MIN.	TYP.	MAX.		
[H ³ REG™ Control block]						
ON Time1	t _{on1}	400	500	600	nsec	R _{FS} =68kΩ
MAX ON Time 1	T _{onmax1}	2.5	3.0	3.5	μsec	
MIN OFF Time 1	T _{offmin1}	500	600	700	nsec	
ON Time 2	ton2	250	350	450	nsec	R _{FS} =68kΩ
MAX ON Time 2	T _{onmax2}	2.5	3.0	3.5	μsec	
MIN OFF Time 2	T _{offmin2}	500	600	700	nsec	
[FET Driver block]						
HG upper side ON resistance 1,2	R _{HGhon1,2}	-	3.0	6.0	Ω	
HG lower side ON resistance 1,2	R _{HGlon1,2}	-	2.0	4.0	Ω	
LG upper side ON resistance 1,2	R _{LGhon1,2}	-	2.0	4.0	Ω	
LG lower side ON resistance 1,2	R _{LGlon1,2}	-	0.5	1.0	Ω	
[Soft Start block]						
Charge current	I _{SS_char1,2}	1.5	2	2.5	μA	
Discharge current	I _{SS_dis1,2}	1.5	2	2.5	μA	
Discharge threshold voltage	V _{SS_disth1,2}	-	0.1	0.2	V	
Standby voltage	V _{SS_STB1,2}	-	-	50	mV	
[Current Limit block]						
Current limit threshold voltage 1_1,2	V _{lim11,2}	40	50	60	mV	V _{ILIM} =0.5V
Current limit threshold voltage 2_1,2	V _{lim21,2}	170	200	230	mV	V _{ILIM} =2.0V
Reflux current limit threshold voltage1_1,2	V _{Relim11,2}	-60	-50	-40	mV	V _{ILIM} =0.5V
Reflux current limit threshold voltage2_1,2	V _{Relim21,2}	-230	-200	-170	mV	V _{ILIM} =2.0V
[Output Voltage Sense block]						
V _{IS} offset voltage1,2	V _{IS_off1,2}	V _{REF} -3m	V _{REF}	V _{REF} +3m	V	Ta=-10~100°C ^{*2}
REF bias current1,2	I _{REF1,2}	-100	0	100	nA	
I _{s+} input current1,2	I _{s+1,2}	-100	0	100	nA	V _{IS+} =1.8V
I _{s-} input current1,2	I _{s-1,2}	-100	0	100	nA	V _{IS-} =1.8V
[SCP block]						
Threshold voltage 1,2	V _{thscp1,2}	-	V _{REF} ×0.7	-	V	
Delay time 1,2	t _{scp1,2}	0.7	1	1.3	msec	

*2 Designed guarantee

●Block Diagram



● Pin Configuration



● Pin Function Table

PIN No.	PIN name	PIN function
1	BOOT1	HG driver power supply pin 1
2	CE1	Reactive pin 1 for lower ESR output capacitor
3	PGOOD1	Power good signal output pin 1
4	EN1	Enable input pin 1 (0~0.8V:OFF, 2.3~3.8V:continuous mode, 4.2~5.5V:SLLM™)
5	SS1	Connective pin 1 of capacitor for soft start/soft stop
6	ILIM1	Current limitsetting pin 1
7	REF1	Output voltage setting pin 1
8	VREG	Reference voltage inside IC (Output : 2.5V)
9	FS	Resistance connective pin for setting frequency
10	Is-1	Current sense pin- 1
11	Is+1	Current sense pin+ 1
12	GND	Sense GND
13	VCC	Power supply input pin
14	Is+2	Current sense pin+ 2
15	Is-2	Current sense pin- 2
16	VIN	Battery voltage sense pin
17	REF2	Output voltage setting pin 2
18	ILIM2	Current limit setting pin 2
19	SS2	Connective pin 2 of capacitor for soft start/soft stop
20	EN2	Enable input pin 2 (0~0.8V:OFF, 2.3~3.8V:continuous mode, 4.2~5.5V:SLLM™)
21	PGOOD2	Power good signal input pin 2
22	CE2	Reactive pin 2 for lower ESR output capacitor
23	BOOT2	HG driver power supply pin 2
24	HG2	High side FET gate drive pin 2
25	SW2	High side FET source pin 2
26	PGND2	Power GND2
27	LG2	Low side FET gate drive pin 2
28	VDD	Power supply input pin
29	LG1	Low side FET gate drive pin 1
30	PGND1	Power GND 1
31	SW1	High side FET source pin 1
32	HG1	High side FET gate drive pin 1
reverse	FIN	substrate

●Reference Data

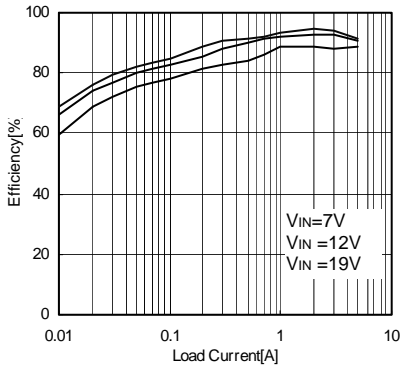


Fig.1 Io-efficiency (SLLM™)

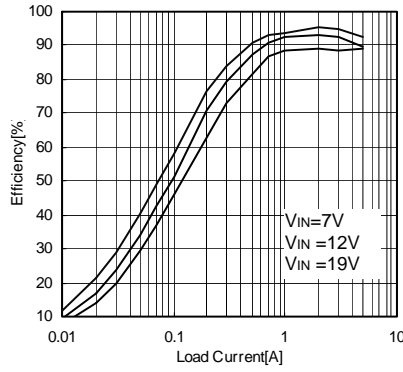


Fig.2 Io-efficiency (Continuous mode)

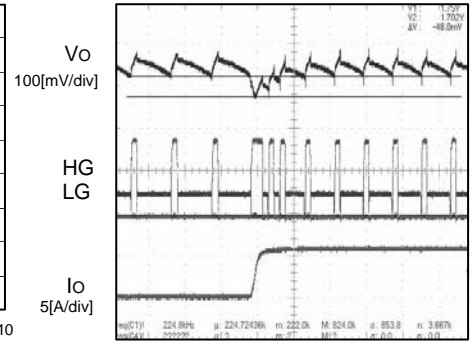


Fig.3 Transitional response (Io=0→5A) (Continuous mode)

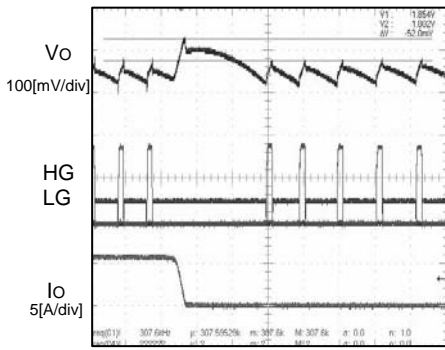


Fig.4 Transitional response (Io=5→0A) (Continuous mode)

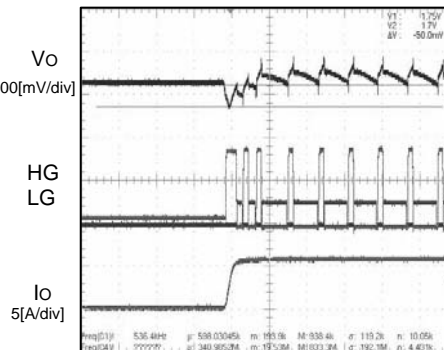


Fig.5 Transitional response (Io=0→5A) (SLLM™)

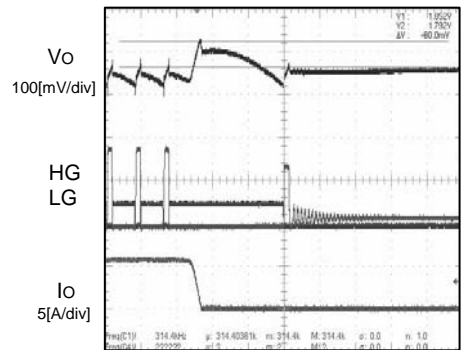


Fig.6 Transitional response (Io=5→0A) (SLLM™)

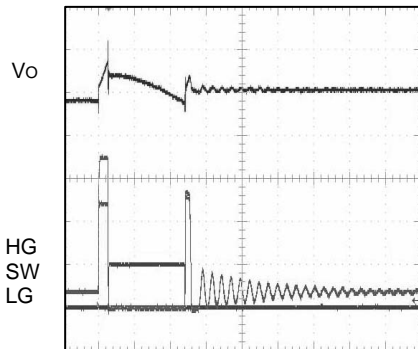


Fig.7 SLLM™ : Io=0A

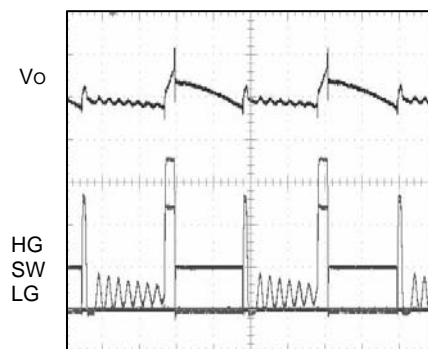


Fig.8 SLLM™ : Io=0.4A

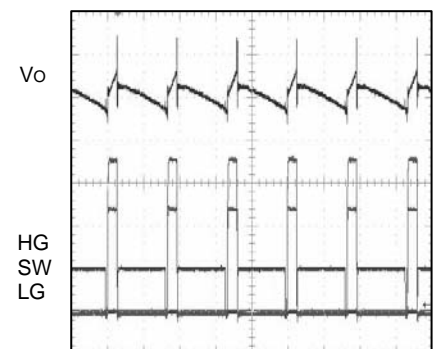


Fig.9 SLLM™ : Io=1A

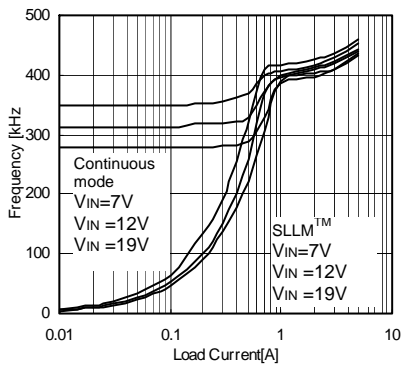


Fig.10 Io-Frequency

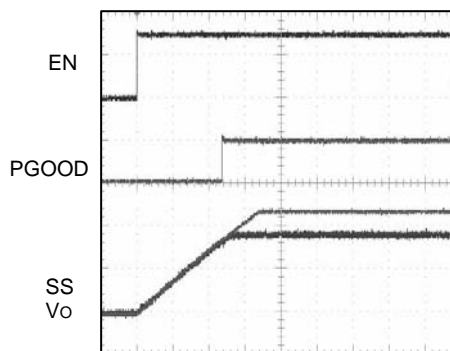


Fig.11 starting wave

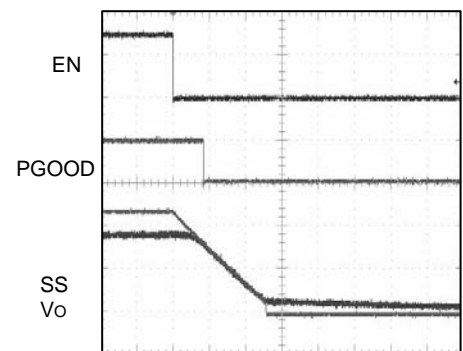
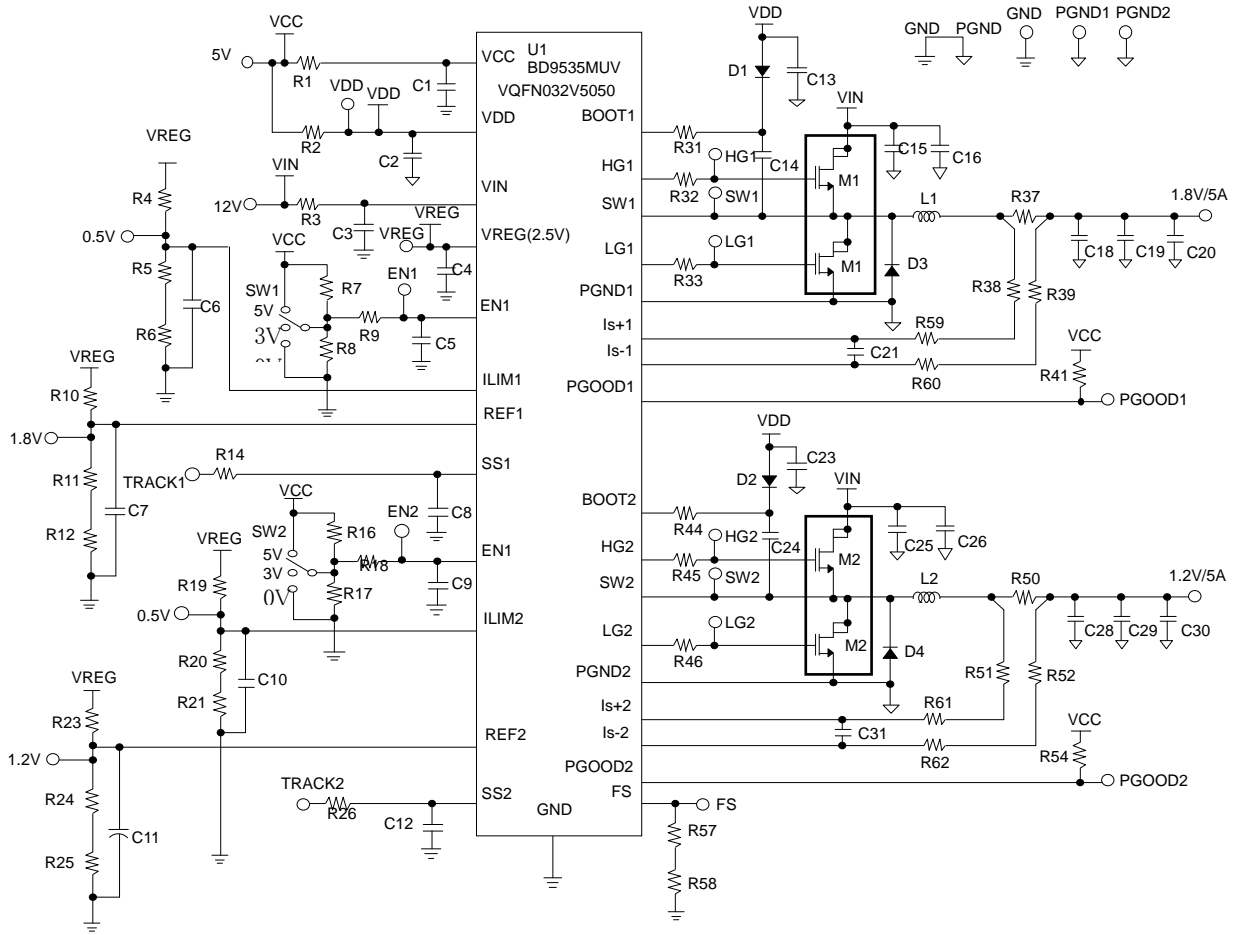


Fig.12 stopping wave

●Evaluation Board Circuit



●Evaluation Board Parts List

Part No	Value	Company	Parts Name	Part No	Value	Company	Parts Name
R1	10Ω	ROHM	MCR03EZPF10R0	R54	100kΩ	ROHM	MCR03EZPF1003
R2	0Ω	ROHM	MCR03EZHZJ000	R57	75kΩ	ROHM	MCR03EZPF7502
R3	1kΩ	ROHM	MCR03EZPF1001	R58	0Ω	ROHM	MCR03EZHZJ000
R4	200kΩ	ROHM	MCR03EZPF2003	R59	100Ω	ROHM	MCR03EZPF1000
R5	51kΩ	ROHM	MCR03EZPF5102	R60	100Ω	ROHM	MCR03EZPF1000
R6	0Ω	ROHM	MCR03EZHZJ000	R61	100Ω	ROHM	MCR03EZPF1000
R7	51kΩ	ROHM	MCR03EZPF5102	R62	100Ω	ROHM	MCR03EZPF1000
R8	91kΩ	ROHM	MCR03EZPF9102	C1	10μF	MURATA	GRM21 Series
R9	0Ω	ROHM	MCR03EZHZJ000	C2	10μF	MURATA	GRM21 Series
R10	22kΩ	ROHM	MCR03EZPF2202	C3	0.01μF	MURATA	GRM18 Series
R11	56kΩ	ROHM	MCR03EZPF5602	C4	1μF	KYOCERA	CM105B105K06A
R12	0Ω	ROHM	MCR03EZHZJ000	C6	0.1μF	MURATA	GRM18 Series
R14	10kΩ	ROHM	MCR03EZPF1002	C7	0.1μF	MURATA	GRM18 Series
R16	51kΩ	ROHM	MCR03EZPF5102	C8	0.047μF	MURATA	GRM18 Series
R17	91kΩ	ROHM	MCR03EZPF9102	C10	0.1μF	MURATA	GRM18 Series
R18	0Ω	ROHM	MCR03EZHZJ000	C11	0.1μF	MURATA	GRM18 Series
R19	200kΩ	ROHM	MCR03EZPF2003	C12	0.047μF	MURATA	GRM18 Series
R20	51kΩ	ROHM	MCR03EZPF5102	C13	10μF	KYOCERA	CM21B106M06A
R21	0Ω	ROHM	MCR03EZHZJ000	C14	0.1μF	MURATA	GRM18 Series
R23	39kΩ	ROHM	MCR03EZPF3902	C15	10μF(25V)	KYOCERA	CT32X5R106K25A
R24	36kΩ	ROHM	MCR03EZPF3602	C18	200μF	SANYO	2R5TPE220MF
R25	0Ω	ROHM	MCR03EZHZJ000	C21	100pF	MURATA	GRM18 Series
R26	10kΩ	ROHM	MCR03EZPF1002	C23	10μF	KYOCERA	CM21B106M06A
R31	0Ω	ROHM	MCR03EZHZJ000	C24	0.1μF	MURATA	GRM18 Series
R32	0Ω	ROHM	MCR03EZHZJ000	C26	10μF(25V)	KYOCERA	CT32X5R106K25A
R33	0Ω	ROHM	MCR03EZHZJ000	C28	200μF	SANYO	2R5TPE220MF
R37	7mΩ	ROHM	PMR100HZPFU7L00	C31	100pF	MURATA	GRM18 Series
R38	0Ω	ROHM	MCR03EZHZJ000	D1	-	ROHM	RB521S-30
R39	0Ω	ROHM	MCR03EZHZJ000	D2	-	ROHM	RB521S-30
R41	100kΩ	ROHM	MCR03EZPF1003	D3	-	ROHM	RSX501L-20
R44	0Ω	ROHM	MCR03EZHZJ000	D4	-	ROHM	RSX501L-20
R45	0Ω	ROHM	MCR03EZHZJ000	L1	2.5μH	Sumida	CDEP105-2R5MC-32
R46	0Ω	ROHM	MCR03EZHZJ000	L2	2.5μH	Sumida	CDEP105-2R5MC-32
R50	7mΩ	ROHM	PMR100HZPFU7L00	M1	-	ROHM	SH8K4(2in1)
R51	0Ω	ROHM	MCR03EZHZJ000	M2	-	ROHM	SH8K4(2in1)
R52	0Ω	ROHM	MCR03EZHZJ000	U1	-	ROHM	BD9535MUV

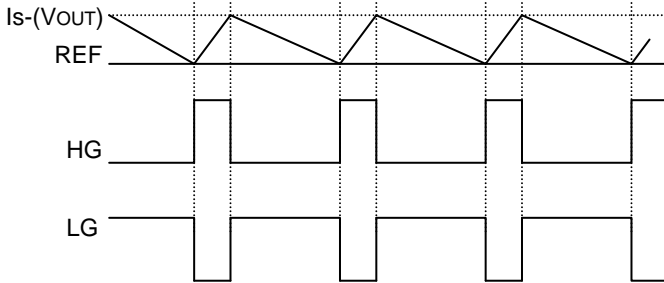
● Pin Descriptions

- VCC (13pin)
This is the power supply pin for IC internal circuits, except the FET driver. The maximum circuit current is 2.0mA. The input supply voltage range is 4.5V to 5.5V. It is recommended that a 0.1μF bypass capacitor be put in this pin.
- EN1/EN2 (4pin/20pin)
When EN pin voltage is at least 2.3V, the status of this switching regulator become active. Conversely, the status switches off when EN pin voltage goes lower than 0.8V and circuit current becomes 20μA or less. This pin is also switch pin of SLLM™. The voltage is 2.3V to 3.8V : forced continuous mode, 4.2V to 5.5V : SLLM™. These operating modes are changeable to control by power supply system 3.3V or 5V.
- VDD (28pin)
This is the power supply pin to drive the LOW side FET. It is recommended that a 1μF bypass capacitor be established to compensate for rush current during the FET ON/OFF transition.
- VREG (8pin)
This is the reference voltage output pin. The voltage is 2.5V, with 100μA current ability. It is recommended that a 1μF capacitor be established between VREF and GND. It is available to set VREF by the resistance division value from VREG in case VREF is not set from an external power supply.
- REF1/REF2 (7pin/17pin)
This is the setting pin for output voltage of switching regulator. It is so convenient to be synchronized to outside power supply. This IC controls the voltage in the status of VREF1≐Vis-1 or VREF2≐Vis-2.
- ILIM1/ILIM2 (6pin/18pin)
BD9535MUV detects the voltage between Is+ pin and Is- pin and limits the output current (OCP). Voltage equivalent to 1/10 of the ILIM voltage is the voltage drop of external current sense resistor. A very low current sense resistor or inductor DCR can also be used for this platform.
- SS1/SS2 (5pin/19pin)
This is the adjustment pin to set the soft start/stop time. SS voltage is low during standby status. When EN is ON, the soft start time can be determined by the SS charge current and capacitor between SS-GND. Until SS reaches REF voltage, the output voltage is equivalent to SS voltage.
- VIN (16pin)
The duty cycle is determined by input voltage and controls output voltage. In other words, the output voltage is affected by input voltage. Therefore, when VIN voltage fluctuates, the output voltage becomes also unstable. Since the VIN line is also the input voltage of the switching regulator, stability depends on the impedance of the voltage supply. It is recommended to establish a bypass capacitor or CR filters suitable for the actual application.
- FS (9pin)
This is the pin to adjust the switching frequency with the resistor. The frequency range is from 200 kHz to 600 kHz.
- Is+1/Is+2, Is-1/Is-2 (11pin/14pin/10pin/15pin)
These pins are connected to both sides of the current sense resistor to detect output current. The voltage drop between Is+ and Is- is compared with the voltage equivalent to 1/10 of ILIM voltage. When this voltage drop hits the specified voltage level, the output voltage is OFF.
- BOOT1/BOOT2 (1pin/23pin)
This is the voltage supply to drive the high side FET. The maximum absolute ratings are 35V (from GND) and 7V (from SW). BOOT voltage swings between (VIN+Vcc) and Vcc during active operation.
- HG1/HG2 (29pin/27pin)
This is the voltage supply to drive the Gate of the high side FET. This voltage swings between BOOT and SW. High-speed Gate driving for the high side FET is achieved due to the low on-resistance (3 ohm when HG is high, 2 ohm when HG is low) driver.
- SW1/SW2 (31pin/25pin)
This is the source pin for the high side FET. The maximum absolute ratings are 30V (from GND). SW voltage swings between VIN and GND.
- LG1/LG2 (29pin/27pin)
This is the voltage supply to drive the Gate of the low side FET. This voltage swings between VDD and PGND. High-speed Gate driving for the low side FET is achieved due to the low on-resistance (3 ohm when LG is high, 0.5 ohm when LG is low) driver.
- PGND1/PGND2 (30pin/26pin)
This is the power ground pin connected to the source of the low side FET. This is the source pin for low-side FET. It is prepared for each channel to reduce the interference among channels.
- PGOOD1/PGOOD2 (3pin/21pin)
This is the monitor pin for output voltage (Is-1/Is-2). When the output voltage is within 10% of setting voltage (REF1/2), High is output. It is open drain pin and connects to other power supply through the pull-up resistance.
- CE1/PCE2 (2pin/22pin)
This pin is helpful for using ceramic capacitor as output capacitor. It is stable to use low ESR capacitor (small ripple voltage).
- GND (12pin)
This is GND pin for Analog and Digital series. Set the reverse side of IC equivalent to the voltage of this pin.

●Explanation of Operation

The BD9535MUV is a 2ch synchronous buck regulator controller incorporating ROHM's proprietary H³REGTM CONTROLLA control system. When VOUT drops due to a rapid load change, the system quickly restores VOUT by extending the TON time interval. Thus, it serves to improve the regulator's transient response. Activating the Light Load Mode will also exercise Simple Light Load Mode (SLLMTM) control when the load is light, to further increase efficiency.

H³RegTM control
(Normal operation)

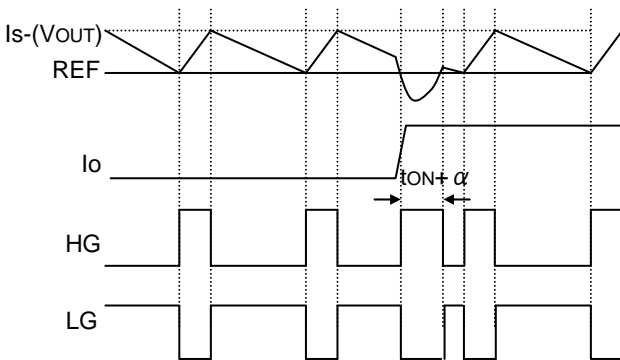


When VOUT falls to a threshold voltage (REF), the drop is detected, activating the H³REGTM CONTROLLA system.

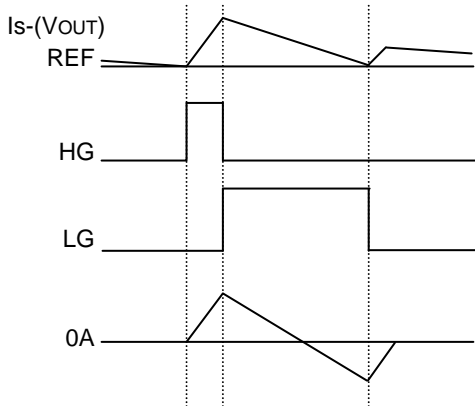
$$t_{ON} = \frac{REF}{V_{IN}} \times \frac{1}{f} \text{ [sec]} \dots (1)$$

HG output is determined by the formula above.

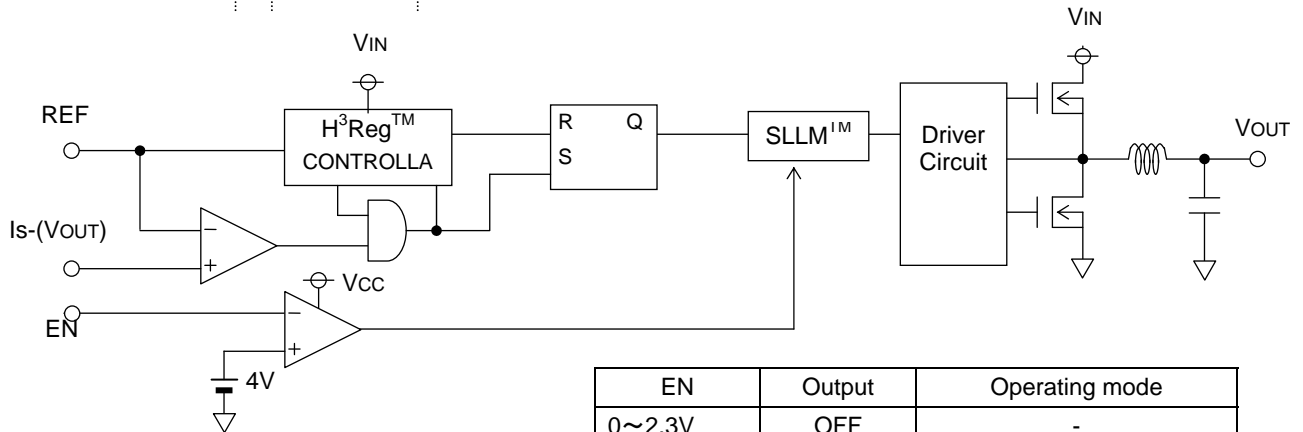
(VOUT drops due to a rapid load change)



When VOUT drops due to a rapid load change, and the voltage remains below REF after the programmed tON time interval has elapsed, the system quickly restores VOUT by extending the tON time, improving the transient response.



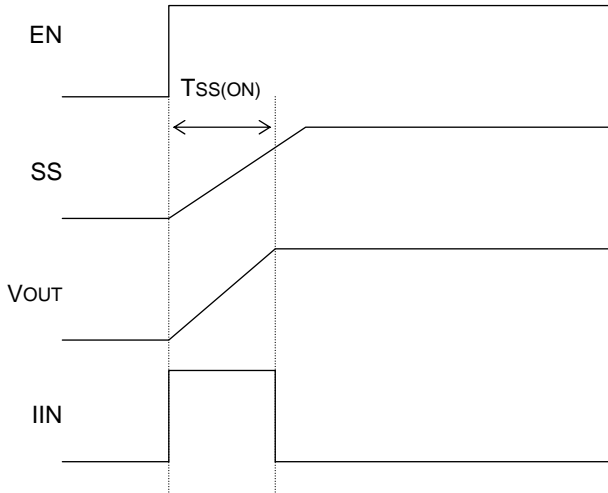
In SLLM (SLLM=0V), SLLM function is operated when LG pin is OFF and the coil current is lower than 0A (the current goes from VOUT to SW). And it stops to output next HG. When VOUT goes lower than REF voltage again, the status of HG is ON.



EN	Output	Operating mode
0~2.3V	OFF	-
2.3~3.8V	ON	Forced continuous mode
4.2~5.5V	ON	SLLM TM

●Timing Chart

• Soft Start Function



Soft start is exercised with the EN pin set high. Current control takes effect at startup, enabling a moderate output voltage “ramping start.” Soft start timing and incoming current are calculated with formulas (2) and (3) below.

Soft start time

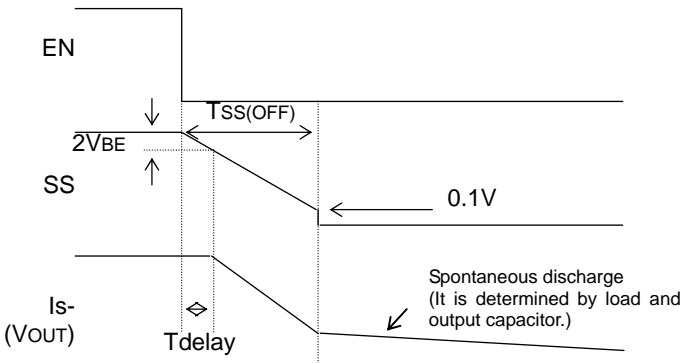
$$T_{SS(ON)} = \frac{REF \times C_{SS}}{2\mu A(\text{typ})} \text{ [sec]} \dots (2)$$

rush current

$$I_{IN} = \frac{C_o \times V_{OUT}}{T_{SS}} \text{ [A]} \dots (3)$$

(C_{SS}: Soft start capacitor; C_o: Output capacitor)

• Soft Stop Function



Soft stop is exercised with the EN pin set low. Current control takes effect at startup, enabling a moderate output voltage. Soft start timing and incoming current are calculated with formulas (4) below.

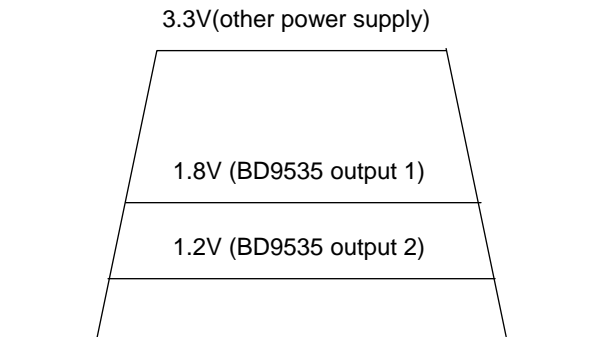
Soft stop time

$$T_{SS(OFF)} = \frac{(REF + 2V_{BE} - 0.1) \times C_{SS}}{2\mu A(\text{typ})} \text{ [sec]} \dots (4)$$

V_{BE} = 0.6[V] (typ)

$$T_{delay} = \frac{2V_{BE} \times C_{SS}}{2\mu A(\text{typ})} \text{ [sec]} \dots (5)$$

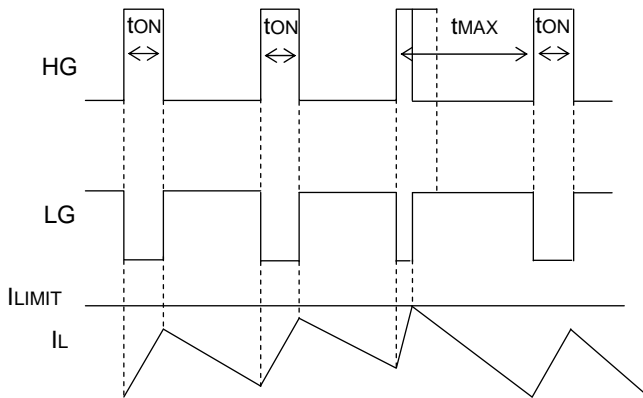
• Synchronous operation with other power supply



These power supply sequences are realized to connect SS pin to other power supply output through the resistance (10kΩ).

●Timing chart

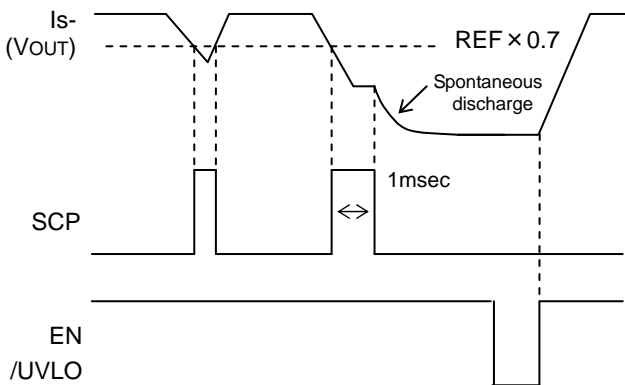
- Over current protection circuit



During the normal operation, when VOUT becomes less than REF Voltage, HG becomes High during the time TON. However, when inductor current exceeds I_{LIMIT} threshold, HG becomes OFF.

After MAX ON TIME, HG becomes ON again if the output voltage is lower than the specific voltage level and I_L is lower than I_{LIMIT} level.

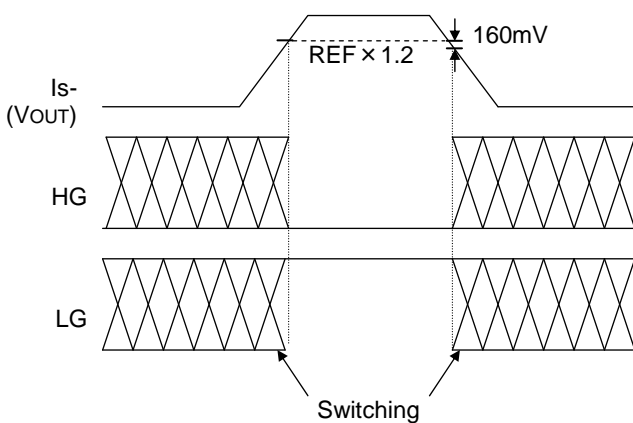
- Timer Latch Type Short Circuit Protection



When output voltage (Is-) falls to REF × 0.7 or less, SCP comparator inside IC is exercised.

If the status of High is continued 1ms or more (programmed time inside IC), the IC goes OFF. It can be restored either by reconnecting the EN pin or disabling UVLO.

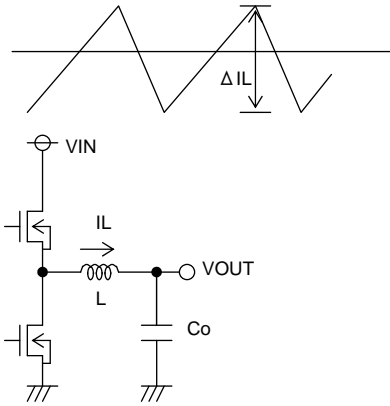
- Output Over Voltage Protection



When output rise to or above REF × 1.2, output over voltage protection is exercised, and low side FET goes up maximum for reducing output. (LG=High, HG=Low). When output falls, it returns to the standard mode.

●External Component Selection

1. Inductor (L) selection



Output ripple current

The inductor value is a major influence on the output ripple current. As formula (5) below indicates, the greater the inductor or the switching frequency, the lower the ripple current.

$$\Delta I_L = \frac{(V_{IN} - V_{OUT}) \times V_{OUT}}{L \times V_{IN} \times f} \quad [A] \dots (6)$$

The proper output ripple current setting is about 30% of maximum output current.

$$\Delta I_L = 0.3 \times I_{OUTmax} \quad [A] \dots (7)$$

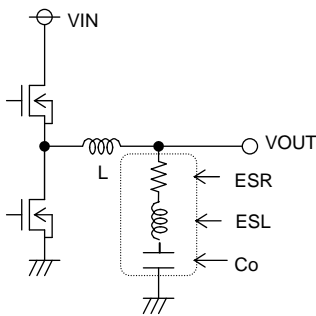
$$L = \frac{(V_{IN} - V_{OUT}) \times V_{OUT}}{L \times V_{IN} \times f} \quad [H] \dots (8)$$

(ΔI_L : output ripple current; f: switch frequency)

※Passing a current larger than the inductor's rated current will cause magnetic saturation in the inductor and decrease system efficiency. In selecting the inductor, be sure to allow enough margins to assure that peak current does not exceed the inductor rated current value.

※To minimize possible inductor damage and maximize efficiency, choose a inductor with a low (DCR, ACR) resistance.

2. Output Capacitor (Co) Selection



Output capacitor

When determining the proper output capacitor, be sure to factor in the equivalent series resistance required to smooth out ripple volume and maintain a stable output voltage range.

Output ripple voltage is determined as in formula (9) below.

$$\Delta V_{OUT} = \Delta I_L \times ESR + ESL \times \Delta I_L / T_{ON} \dots (9)$$

(ΔI_L : Output ripple current; ESR: Co equivalent series resistance, ESL: Co equivalent series inductance)

※ In selecting a capacitor, make sure the capacitor rating allows sufficient margin relative to output voltage. Note that a lower ESR can minimize output ripple voltage.

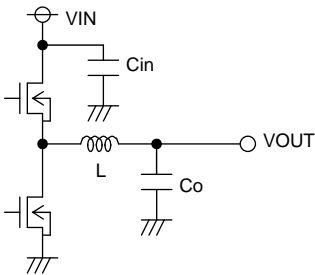
Please give due consideration to the conditions in formula (10) below for output capacity, bear in mind that output rise time must be established within the soft start time frame.

$$C_o \leq \frac{T_{SS} \times (Limit - I_{OUT})}{V_{OUT}} \dots (10)$$

T_{SS}: Soft start time
Limit: Over current detection
I_{OUT}: Output current

Note: Improper capacitor may cause startup malfunctions.

3. Input Capacitor (Cin) Selection



Input Capacitor

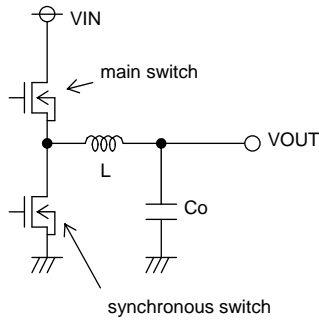
The input capacitor selected must have low enough ESR resistance to fully support large ripple output, in order to prevent extreme over current. The formula for ripple current I_{RMS} is given in (11) below.

$$I_{RMS} = I_{OUT} \times \frac{\sqrt{V_{OUT} (V_{IN} - V_{OUT})}}{V_{IN}} \quad [A] \dots (11)$$

Where $V_{IN} = 2 \times V_{OUT}$, $I_{RMS} = \frac{I_{OUT}}{2}$

A low ESR capacitor is recommended to reduce ESR loss and maximize efficiency.

4. MOSFET Selection



Loss on the main MOSFET
 $P_{main} = P_{RON} + P_{GATE} + P_{TRAN}$

$$= \frac{V_{OUT}}{V_{IN}} \times R_{ON} \times I_{OUT}^2 + Q_g \times f \times V_{DD} + \frac{V_{IN}^2 \times C_{rss} \times I_{OUT} \times f}{I_{DRIVE}} \dots (12)$$

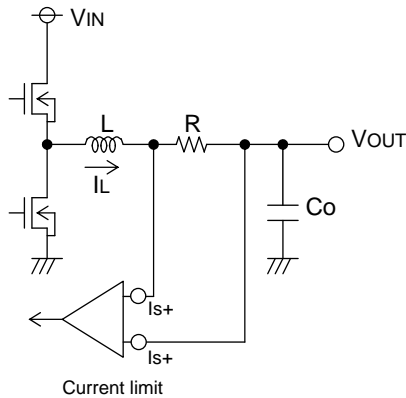
(R_{ON} : On-resistance of FET; Q_g : GATE total charge
 f : Switching frequency, C_{rss} : FET inverse transfer function;
 I_{DRIVE} : Gate peak current)

Loss on the synchronous MOSFET

$P_{syn} = P_{RON} + P_{GATE}$

$$= \frac{V_{IN} - V_{OUT}}{V_{IN}} \times R_{ON} \times I_{OUT}^2 + Q_g \times f \times V_{DD} \dots (13)$$

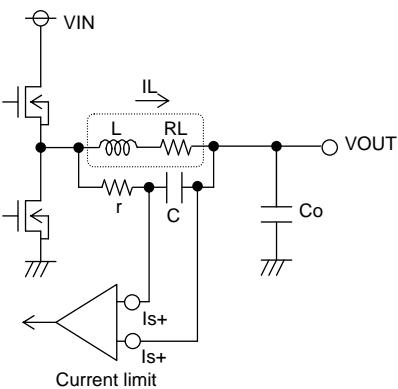
5. Setting Detection Resistance



The over current protection function detects the output ripple current peak value. This parameter (setting value) is determined as in formula (14) below.

$$I_{LIMIT} = \frac{V_{ILIM} \times 0.1}{R} [A] \dots (14)$$

(V_{ILIM} : I_{LIM} voltage; R : Detection resistance)

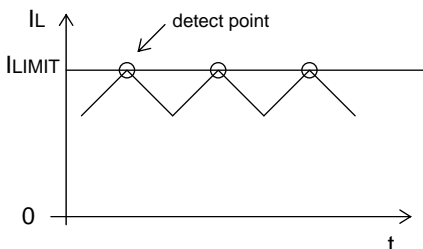


When the over current protection is detected by DCR of coil L, this parameter (setting value) is determined as in formula (14) below.

$$I_{LIMIT} = V_{ILIM} \times 0.1 \times \frac{r \times C}{L} [A] \dots (15)$$

$$(RL = \frac{L}{r \times C})$$

(V_{ILIM} : I_{LIM} voltage RL : the DCR value of coil)

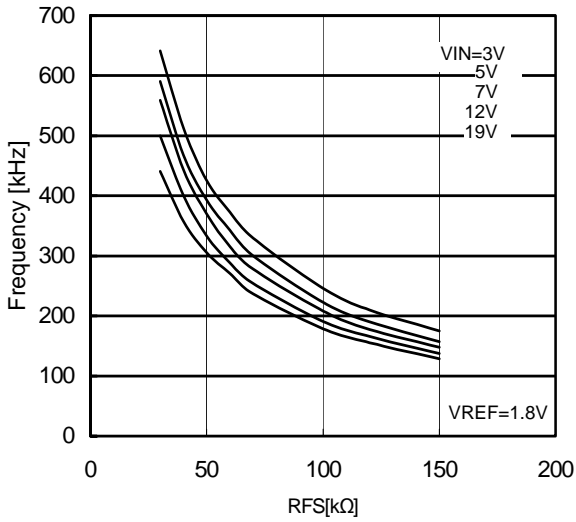


As soon as the voltage drop between I_{s+} and I_{s-} generated by the inductor current becomes specific threshold, the gate voltage of the high side MOSFET becomes low.

Since the peak voltage of the inductor ripple current is detected, this operation can sense high current ripple operation caused by inductance saturated rated current and lead to high reliable systems.

6. Setting frequency

【1ch】



The On Time (TON) at steady state is determined by resistance value connected to FS pin. But actually SW rising time and falling time come up due to influence of the external MOSFET gate capacity or switching speed and TON is increased. The frequency is determined by the following formula after TON, input current and the REF voltage are fixed.

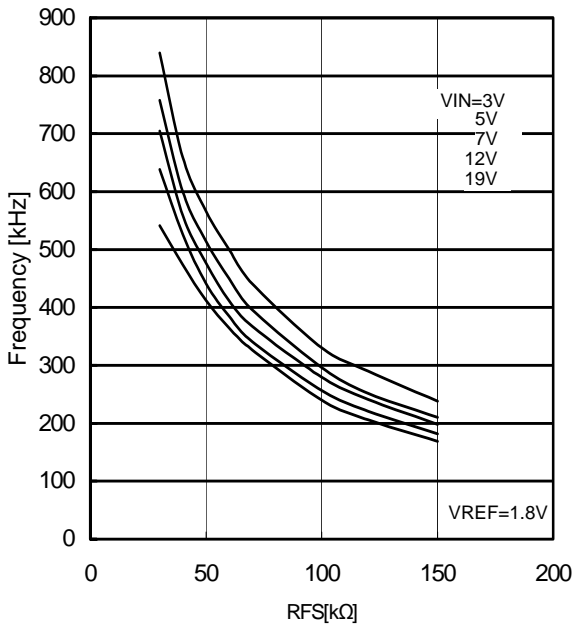
$$F = \frac{REF}{VIN \times TON} \dots (15)$$

Consequently, total frequency becomes lower than the formula above.

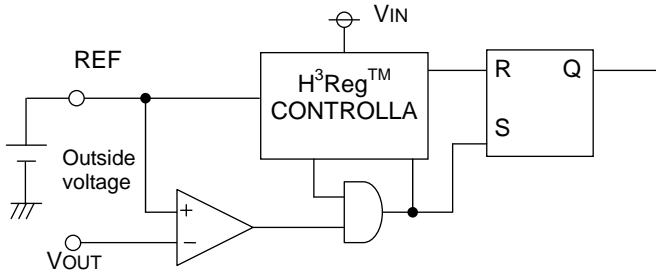
TON is also influenced by Dead Time around the output current 0A area in continuous mode.

This frequency becomes lower than setting frequency. It is recommended to check the steady frequency in large current area (at the point where the coil current doesn't back up).

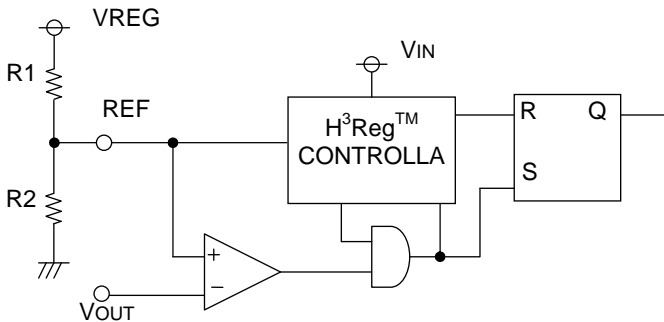
【2ch】



7. Setting standard voltage (REF)



It is available to synchronize setting the reference voltage (REF) with outside supply voltage [V] by using outside power supply voltage.



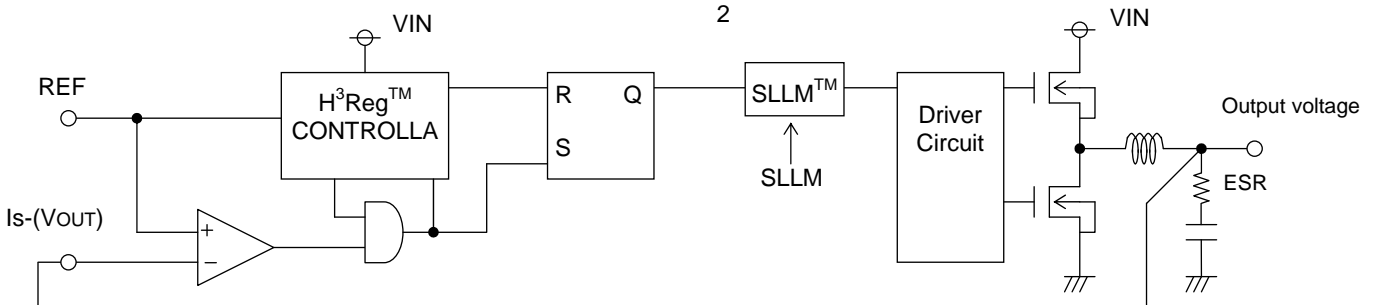
It is available to set the reference voltage (REF) by the resistance division value from VREG in case it is not set REF from an external power supply.

$$REF = \frac{R2}{R1+R2} \times VREG [V] \dots (17)$$

8. Setting output voltage

This IC is operated that output voltage is $REF \approx Is-(V_{OUT})$. And it is operated that output voltage is feed back to FB pin in case the output voltage is 0.7V to 2.0V. Actually, the average value of ripple voltage is added to output voltage.

$$\text{Output voltage} = REF + \frac{1}{2} \times \Delta IL \times ESR \dots (18)$$



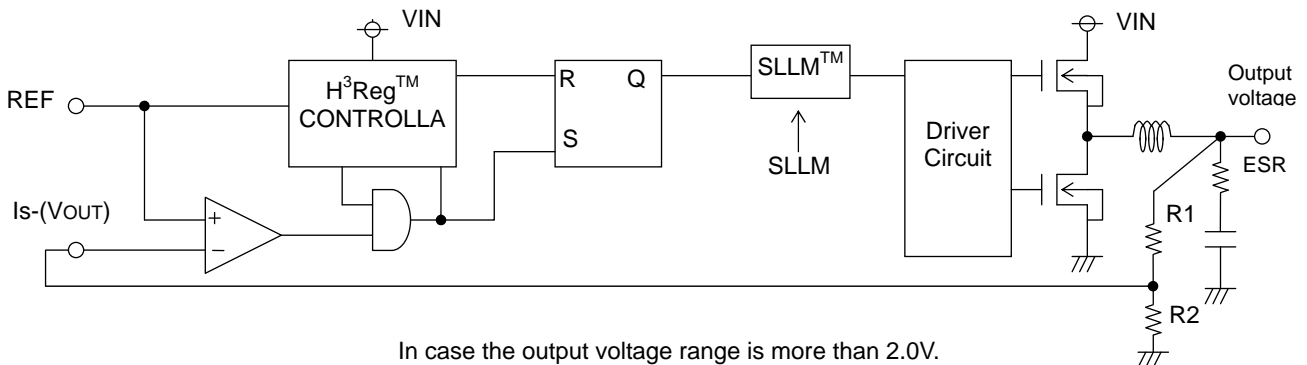
In case the output voltage range is 0.7V to 2.0V.

It is operated that the resistance division value of the output voltage is feed back to Is-pin in case the output voltage is more than 2.0V.

$$\text{output voltage} = \frac{R1+R2}{R2} \times REF + \frac{1}{2} \times \Delta IL \times ESR \dots (19)$$

In this time, the frequency is also amplified by power of the resistance division. It is determined as in formula (20) below.

$$\text{Frequency} = \frac{R1+R2}{R2} \times (\text{frequency determined by REF}) [Hz] \dots (20)$$



In case the output voltage range is more than 2.0V.

● I/O Equivalent Circuit

<p>1pin, 23pin (BOOT1/2)</p>	<p>2pin, 22pin (CE1/2)</p>	<p>3pin, 21pin (PGOOD1/2)</p>
<p>4pin, 20pin (EN1/2)</p>	<p>5pin, 19pin (SS1/2)</p>	<p>6pin, 18pin (ILIM1/2)</p>
<p>7pin, 17pin (REF1/2)</p>	<p>8pin (V_{REG})</p>	<p>9pin (FS)</p>
<p>10pin, 15pin (Is-1/2)</p>	<p>11pin, 14pin (Is+1/2)</p>	<p>16pin (V_{IN})</p>
<p>24pin, 32pin (HG1/2)</p>	<p>25pin, 31pin (SW1/2)</p>	<p>27pin, 29pin (LG1/2)</p>

●Notes for use

- Absolute maximum ratings**
An excess in the absolute maximum ratings, such as supply voltage, temperature range of operating conditions, etc., can break down the devices, thus making impossible to identify breaking mode, such as a short circuit or an open circuit. If any over rated values will expect to exceed the absolute maximum ratings, consider adding circuit protection devices, such as fuses.
- Connecting the power supply connector backward**
Connecting of the power supply in reverse polarity can damage IC. Take precautions when connecting the power supply lines. An external direction diode can be added.
- Power supply lines**
Design PCB layout pattern to provide low impedance GND and supply lines. To obtain a low noise ground and supply line, separate the ground section and supply lines of the digital and analog blocks. Furthermore, for all power supply terminals to ICs, connect a capacitor between the power supply and the GND terminal. When applying electrolytic capacitors in the circuit, not that capacitance characteristic values are reduced at low temperatures.
- GND voltage**
The potential of GND pin must be minimum potential in all operating conditions.
- Thermal design**
Use a thermal design that allows for a sufficient margin in light of the power dissipation (Pd) in actual operating conditions.
- Inter-pin shorts and mounting errors**
Use caution when positioning the IC for mounting on printed circuit boards. The IC may be damaged if there is any connection error or if pins are shorted together.
- Actions in strong electromagnetic field**
Use caution when using the IC in the presence of a strong electromagnetic field as doing so may cause the IC to malfunction.
- ASO**
When using the IC, set the output transistor so that it does not exceed absolute maximum ratings or ASO.
- Thermal shutdown circuit**
The IC incorporates a built-in thermal shutdown circuit (TSD circuit). The thermal shutdown circuit (TSD circuit) is designed only to shut the IC off to prevent thermal runaway. It is not designed to protect the IC or guarantee its operation. Do not continue to use the IC after operating this circuit or use the IC in an environment where the operation of this circuit is assumed.

	TSD on temperature [°C] (typ.)	Hysteresis temperature [°C] (typ.)
BD9535MUJ	175	15

- Testing on application boards**
When testing the IC on an application board, connecting a capacitor to a pin with low impedance subjects the IC to stress. Always discharge capacitors after each process or step. Always turn the IC's power supply off before connecting it to or removing it from a jig or fixture during the inspection process. Ground the IC during assembly steps as an antistatic measure. Use similar precaution when transporting or storing the IC.
- Regarding input pin of the IC**
This monolithic IC contains P+ isolation and P substrate layers between adjacent elements in order to keep them isolated. P-N junctions are formed at the intersection of these P layers with the N layers of other elements, creating a parasitic diode or transistor. For example, the relation between each potential is as follows:

When $GND > Pin A$ and $GND > Pin B$, the P-N junction operates as a parasitic diode.

When $GND > Pin B$, the P-N junction operates as a parasitic transistor.

Parasitic diodes can occur inevitable in the structure of the IC. The operation of parasitic diodes can result in mutual interference among circuits, operational faults, or physical damage. Accordingly, methods by which parasitic diodes operate, such as applying a voltage that is lower than the GND (P substrate) voltage to an input pin, should not be used.

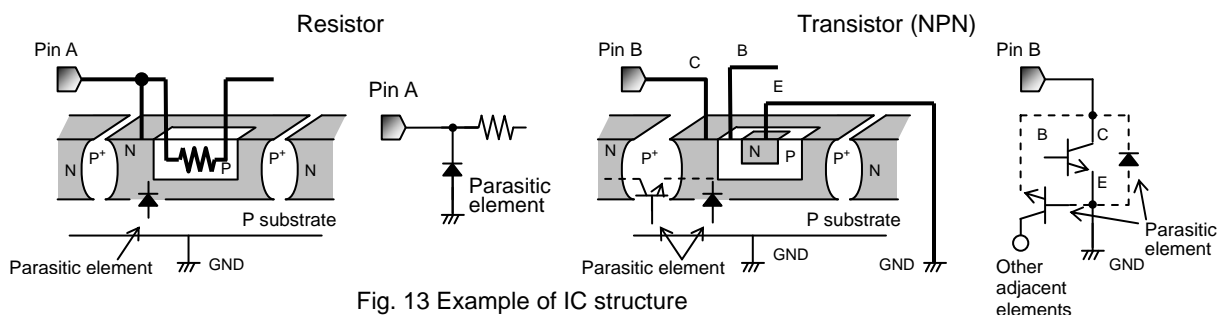
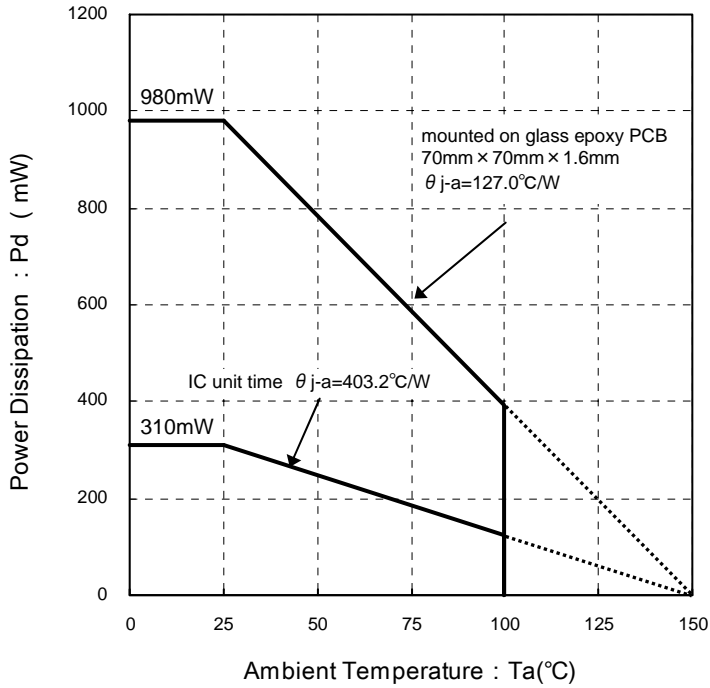


Fig. 13 Example of IC structure

12. Ground Wiring Pattern

When using both small signal and large current GND patterns, it is recommended to isolate the two ground patterns, placing a single ground point at the ground potential of application so that the pattern wiring resistance and voltage variations caused by large currents do not cause variations in the small signal ground voltage. Be careful not to change the GND wiring pattern of any external components, either.

● Power Dissipation



●Ordering part number

B	D
---	---

Part No.

9	5	3	5
---	---	---	---

Part No.

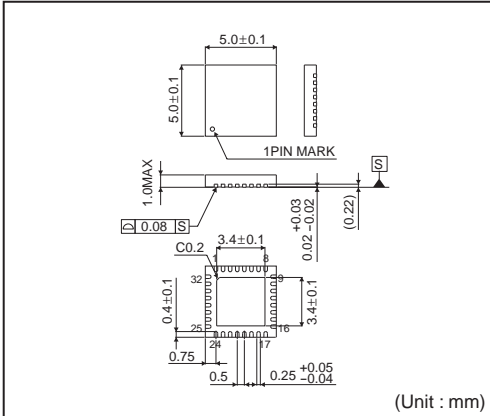
M	U	V
---	---	---

Package
MUV : VQFN032V5050

E	2
---	---

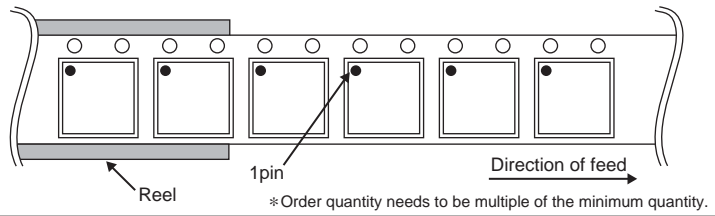
Packaging and forming specification
E2: Embossed tape and reel

VQFN032V5050



<Tape and Reel information>

Tape	Embossed carrier tape
Quantity	2500pcs
Direction of feed	E2 (The direction is the 1pin of product is at the upper left when you hold reel on the left hand and you pull out the tape on the right hand)



Notice

Precaution on using ROHM Products

- Our Products are designed and manufactured for application in ordinary electronic equipments (such as AV equipment, OA equipment, telecommunication equipment, home electronic appliances, amusement equipment, etc.). If you intend to use our Products in devices requiring extremely high reliability (such as medical equipment ^(Note 1), transport equipment, traffic equipment, aircraft/spacecraft, nuclear power controllers, fuel controllers, car equipment including car accessories, safety devices, etc.) and whose malfunction or failure may cause loss of human life, bodily injury or serious damage to property ("Specific Applications"), please consult with the ROHM sales representative in advance. Unless otherwise agreed in writing by ROHM in advance, ROHM shall not be in any way responsible or liable for any damages, expenses or losses incurred by you or third parties arising from the use of any ROHM's Products for Specific Applications.

(Note1) Medical Equipment Classification of the Specific Applications

JAPAN	USA	EU	CHINA
CLASS III	CLASS III	CLASS II b	CLASS III
CLASS IV		CLASS III	

- ROHM designs and manufactures its Products subject to strict quality control system. However, semiconductor products can fail or malfunction at a certain rate. Please be sure to implement, at your own responsibilities, adequate safety measures including but not limited to fail-safe design against the physical injury, damage to any property, which a failure or malfunction of our Products may cause. The following are examples of safety measures:
 - Installation of protection circuits or other protective devices to improve system safety
 - Installation of redundant circuits to reduce the impact of single or multiple circuit failure
- Our Products are designed and manufactured for use under standard conditions and not under any special or extraordinary environments or conditions, as exemplified below. Accordingly, ROHM shall not be in any way responsible or liable for any damages, expenses or losses arising from the use of any ROHM's Products under any special or extraordinary environments or conditions. If you intend to use our Products under any special or extraordinary environments or conditions (as exemplified below), your independent verification and confirmation of product performance, reliability, etc. prior to use, must be necessary:
 - Use of our Products in any types of liquid, including water, oils, chemicals, and organic solvents
 - Use of our Products outdoors or in places where the Products are exposed to direct sunlight or dust
 - Use of our Products in places where the Products are exposed to sea wind or corrosive gases, including Cl₂, H₂S, NH₃, SO₂, and NO₂
 - Use of our Products in places where the Products are exposed to static electricity or electromagnetic waves
 - Use of our Products in proximity to heat-producing components, plastic cords, or other flammable items
 - Sealing or coating our Products with resin or other coating materials
 - Use of our Products without cleaning residue of flux (even if you use no-clean type fluxes, cleaning residue of flux is recommended); or Washing our Products by using water or water-soluble cleaning agents for cleaning residue after soldering
 - Use of the Products in places subject to dew condensation
- The Products are not subject to radiation-proof design.
- Please verify and confirm characteristics of the final or mounted products in using the Products.
- In particular, if a transient load (a large amount of load applied in a short period of time, such as pulse. is applied, confirmation of performance characteristics after on-board mounting is strongly recommended. Avoid applying power exceeding normal rated power; exceeding the power rating under steady-state loading condition may negatively affect product performance and reliability.
- De-rate Power Dissipation (Pd) depending on Ambient temperature (Ta). When used in sealed area, confirm the actual ambient temperature.
- Confirm that operation temperature is within the specified range described in the product specification.
- ROHM shall not be in any way responsible or liable for failure induced under deviant condition from what is defined in this document.

Precaution for Mounting / Circuit board design

- When a highly active halogenous (chlorine, bromine, etc.) flux is used, the residue of flux may negatively affect product performance and reliability.
- In principle, the reflow soldering method must be used; if flow soldering method is preferred, please consult with the ROHM representative in advance.

For details, please refer to ROHM Mounting specification

Precautions Regarding Application Examples and External Circuits

1. If change is made to the constant of an external circuit, please allow a sufficient margin considering variations of the characteristics of the Products and external components, including transient characteristics, as well as static characteristics.
2. You agree that application notes, reference designs, and associated data and information contained in this document are presented only as guidance for Products use. Therefore, in case you use such information, you are solely responsible for it and you must exercise your own independent verification and judgment in the use of such information contained in this document. ROHM shall not be in any way responsible or liable for any damages, expenses or losses incurred by you or third parties arising from the use of such information.

Precaution for Electrostatic

This Product is electrostatic sensitive product, which may be damaged due to electrostatic discharge. Please take proper caution in your manufacturing process and storage so that voltage exceeding the Products maximum rating will not be applied to Products. Please take special care under dry condition (e.g. Grounding of human body / equipment / solder iron, isolation from charged objects, setting of ionizer, friction prevention and temperature / humidity control).

Precaution for Storage / Transportation

1. Product performance and soldered connections may deteriorate if the Products are stored in the places where:
 - [a] the Products are exposed to sea winds or corrosive gases, including Cl₂, H₂S, NH₃, SO₂, and NO₂
 - [b] the temperature or humidity exceeds those recommended by ROHM
 - [c] the Products are exposed to direct sunshine or condensation
 - [d] the Products are exposed to high Electrostatic
2. Even under ROHM recommended storage condition, solderability of products out of recommended storage time period may be degraded. It is strongly recommended to confirm solderability before using Products of which storage time is exceeding the recommended storage time period.
3. Store / transport cartons in the correct direction, which is indicated on a carton with a symbol. Otherwise bent leads may occur due to excessive stress applied when dropping of a carton.
4. Use Products within the specified time after opening a humidity barrier bag. Baking is required before using Products of which storage time is exceeding the recommended storage time period.

Precaution for Product Label

QR code printed on ROHM Products label is for ROHM's internal use only.

Precaution for Disposition

When disposing Products please dispose them properly using an authorized industry waste company.

Precaution for Foreign Exchange and Foreign Trade act

Since our Products might fall under controlled goods prescribed by the applicable foreign exchange and foreign trade act, please consult with ROHM representative in case of export.

Precaution Regarding Intellectual Property Rights

1. All information and data including but not limited to application example contained in this document is for reference only. ROHM does not warrant that foregoing information or data will not infringe any intellectual property rights or any other rights of any third party regarding such information or data. ROHM shall not be in any way responsible or liable for infringement of any intellectual property rights or other damages arising from use of such information or data.:
2. No license, expressly or implied, is granted hereby under any intellectual property rights or other rights of ROHM or any third parties with respect to the information contained in this document.

Other Precaution

1. This document may not be reprinted or reproduced, in whole or in part, without prior written consent of ROHM.
2. The Products may not be disassembled, converted, modified, reproduced or otherwise changed without prior written consent of ROHM.
3. In no event shall you use in any way whatsoever the Products and the related technical information contained in the Products or this document for any military purposes, including but not limited to, the development of mass-destruction weapons.
4. The proper names of companies or products described in this document are trademarks or registered trademarks of ROHM, its affiliated companies or third parties.

General Precaution

1. Before you use our Products, you are requested to carefully read this document and fully understand its contents. ROHM shall not be in any way responsible or liable for failure, malfunction or accident arising from the use of any ROHM's Products against warning, caution or note contained in this document.
2. All information contained in this document is current as of the issuing date and subject to change without any prior notice. Before purchasing or using ROHM's Products, please confirm the latest information with a ROHM sales representative.
3. The information contained in this document is provided on an "as is" basis and ROHM does not warrant that all information contained in this document is accurate and/or error-free. ROHM shall not be in any way responsible or liable for any damages, expenses or losses incurred by you or third parties resulting from inaccuracy or errors of or concerning such information.