

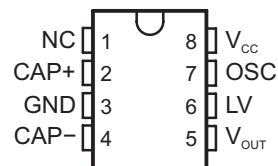
FEATURES

- Simple Voltage Conversion, Including
 - Negative Converter
 - Voltage Doubler
- Wide Operating Range...1.5 V to 10 V
- Requires Only Two External (Noncritical) Capacitors
- No External Diode Over Full Temperature and Voltage Range
- Typical Open-Circuit Voltage Conversion Efficiency...99.9%
- Typical Power Efficiency...98%
- Full Testing at 3 V

APPLICATIONS

- On-Board Negative Supplies
- Data-Acquisition Systems
- Portable Electronics

D, DGK, OR P PACKAGE
(TOP VIEW)



NC – No internal connection

DESCRIPTION/ORDERING INFORMATION

The TL7660 is a CMOS switched-capacitor voltage converter that perform supply-voltage conversions from positive to negative. With only two noncritical external capacitors needed for the charge pump and charge reservoir functions, an input voltage within the range from 1.5 V to 10 V is converted to a complementary negative output voltage of –1.5 V to –10 V. The device can also be connected as a voltage doubler to generate output voltages up to 18.6 V with a 10-V input.

The basic building blocks of the IC include a linear regulator, an RC oscillator, a voltage-level translator, and four power MOS switches. To ensure latch-up-free operation, the circuitry automatically senses the most negative voltage in the device and ensures that the N-channel switch source-substrate junctions are not forward biased. The oscillator frequency runs at a nominal 10 kHz (for V_{CC} = 5 V), but that frequency can be decreased by adding an external capacitor to the oscillator (OSC) terminal or increased by overdriving OSC with an external clock.

For low-voltage operation (V_{IN} < 3.5 V), LV should be tied to GND to bypass the internal series regulator. Above 3.5 V, LV should be left floating to prevent device latchup.

The TL7660C is characterized for operation over a free-air temperature range of –40°C to 85°C. The TL7660I is characterized for operation over a free-air temperature range of –40°C to 125°C.

ORDERING INFORMATION

T _A	PACKAGE ⁽¹⁾		ORDERABLE PART NUMBER	TOP-SIDE MARKING ⁽²⁾
–40°C to 85°C	MSOP/VSSOP – DGK	Reel of 250	TL7660CDGKT	TM_
		Reel of 2500	TL7660CDGKR	
	PDIP – P	Tube of 50	TL7660CP	TL7660CP
	SOIC – D	Tube of 75	TL7660CD	7660C
		Reel of 2500	TL7660CDR	
–40°C to 125°C	MSOP/VSSOP – DGK	Reel of 250	TL7660IDGKT	TN_
		Reel of 2500	TL7660IDGKR	
	PDIP – P	Tube of 50	TL7660IP	TL7660IP
	SOIC – D	Tube of 75	TL7660ID	7660I
		Reel of 2500	TL7660IDR	

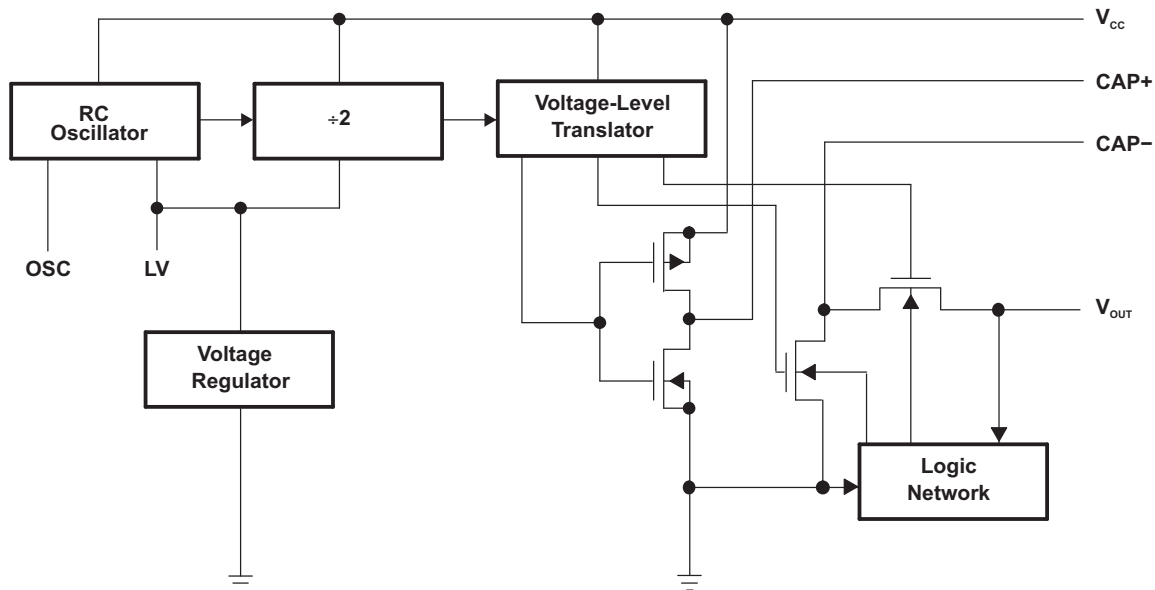
(1) Package drawings, standard packing quantities, thermal data, symbolization, and PCB design guidelines are available at www.ti.com/sc/package.

(2) DGK: The actual top-side marking has one additional character that indicates the assembly/test site.



Please be aware that an important notice concerning availability, standard warranty, and use in critical applications of Texas Instruments semiconductor products and disclaimers thereto appears at the end of this data sheet.

FUNCTIONAL BLOCK DIAGRAM



Absolute Maximum Ratings⁽¹⁾

over operating free-air temperature range (unless otherwise noted)

			MIN	MAX	UNIT
V _{CC}	Supply voltage	TL7660		10.5	V
V _I	OSC and LV input voltage range ⁽²⁾	V _{CC} < 5.5 V	-0.3	V _{CC} + 0.3	V
		V _{CC} > 5.5 V	V _{CC} - 5.5	V _{CC} + 0.3	
I _{LV}	Current into LV ⁽²⁾	V _{CC} > 3.5 V		20	μA
t _{OS}	Output short-circuit duration	V _{SUPPLY} ± 5.5 V		Continuous	
θ _{JA}	Package thermal impedance ⁽³⁾⁽⁴⁾	D package		97	°C/W
		DGK package		172	
		P package		85	
T _J	Junction temperature			150	°C
T _{stg}	Storage temperature range		-55	150	°C

- (1) Stresses beyond those listed under "absolute maximum ratings" may cause permanent damage to the device. These are stress ratings only, and functional operation of the device at these or any other conditions beyond those indicated under "recommended operating conditions" is not implied. Exposure to absolute-maximum-rated conditions for extended periods may affect device reliability.
- (2) Connecting any input terminal to voltages greater than V_{CC} or less than GND may cause destructive latchup. It is recommended that no inputs from sources operating from external supplies be applied prior to power up of the TL7660.
- (3) Maximum power dissipation is a function of T_{J(max)}, θ_{JA}, and T_A. The maximum allowable power dissipation at any allowable ambient temperature is P_D = (T_{J(max)} - T_A)/θ_{JA}. Operating at the absolute maximum T_J of 150°C can affect reliability.
- (4) The package thermal impedance is calculated in accordance with JESD 51-7.

Recommended Operating Conditions

			MIN	MAX	UNIT
V _{CC}	Supply voltage	TL7660	1.5	10	V
T _A	Operating free-air temperature	TL7660C	-40	85	°C
		TL7660I	-40	125	

Electrical Characteristics

$V_{CC} = 5\text{ V}$, $C_{OSC} = 0$, LV = Open, $T_A = 25^\circ\text{C}$ (unless otherwise noted) (see [Figure 1](#))

PARAMETER		TEST CONDITIONS	T_A ⁽¹⁾	MIN	TYP	MAX	UNIT
I_{CC}	Supply current	$R_L = \infty$	25°C		45	110	μA
			–40°C to 85°C			120	
			–40°C to 125°C			135	
$V_{CC,LOW}$	Supply voltage range (low)	$R_L = 10\text{ k}\Omega$, LV = GND	Full range	1.5		3.5	V
$V_{CC,HIGH}$	Supply voltage range (high)	$R_L = 10\text{ k}\Omega$, LV Open	Full range	3		10	V
R_{OUT}	Output source resistance	$I_O = 20\text{ mA}$	25°C		45	70	Ω
			–40°C to 85°C			85	
			–40°C to 125°C			135	
		$V_{CC} = 2\text{ V}$, $I_O = 3\text{ mA}$, LV = GND	25°C		125	200	
			–40°C to 125°C			250	
f_{OSC}	Oscillator frequency		25°C		10		kHz
η_{POWER}	Power efficiency	$R_L = 5\text{ k}\Omega$	25°C	96	98		%
			–40°C to 125°C		95		
η_{VOUT}	Voltage conversion efficiency	$R_L = \infty$	25°C	99	99.9		%
			–40°C to 125°C		99		
Z_{OSC}	Oscillator impedance	$V_{CC} = 2\text{ V}$	25°C		1		M Ω
		$V_{CC} = 5\text{ V}$			100		k Ω

(1) Full range is –40°C to 85°C for the TL7660C and –40°C to 125°C for the TL7660I.

Electrical Characteristics

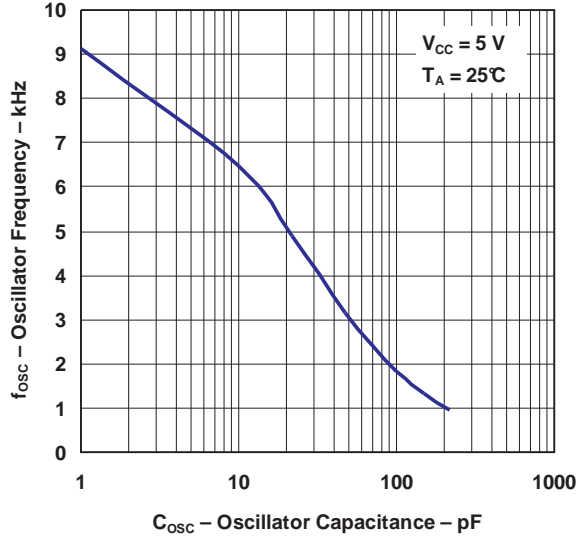
$V_{CC} = 3\text{ V}$, $C_{OSC} = 0$, LV = GND, (unless otherwise noted) (see [Figure 1](#))

PARAMETER		TEST CONDITIONS	T_A	MIN	TYP	MAX	UNIT
I_{CC}	Supply current ⁽¹⁾	$R_L = \infty$	25°C		24	50	μA
			–40°C to 85°C			60	
			–40°C to 125°C			75	
R_{OUT}	Output source resistance	$I_O = 10\text{ mA}$	25°C		60	100	Ω
			–40°C to 85°C			110	
			–40°C to 125°C			120	
f_{OSC}	Oscillator frequency	$C_{OSC} = 0$	25°C	5	9		kHz
			–40°C to 125°C		3		
η_{POWER}	Power efficiency	$R_L = 5\text{ k}\Omega$	25°C	96	98		%
			–40°C to 125°C		95		
η_{VOUT}	Voltage conversion efficiency	$R_L = \infty$	25°C	99			%
			–40°C to 125°C		99		

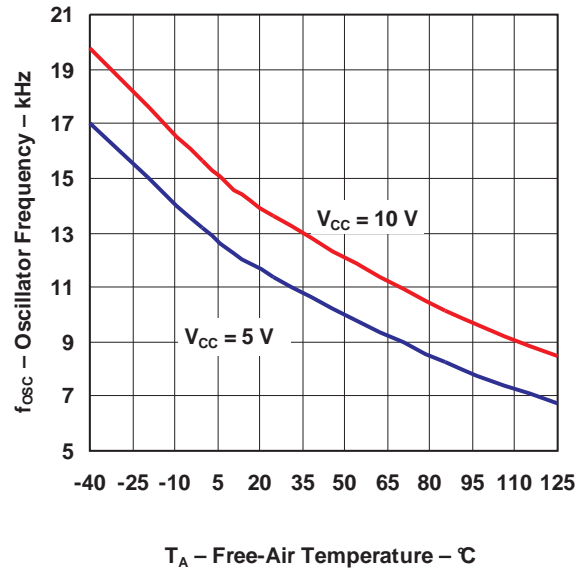
(1) Derate linearly above 50°C by 5.5 mW/°C.

TYPICAL CHARACTERISTICS

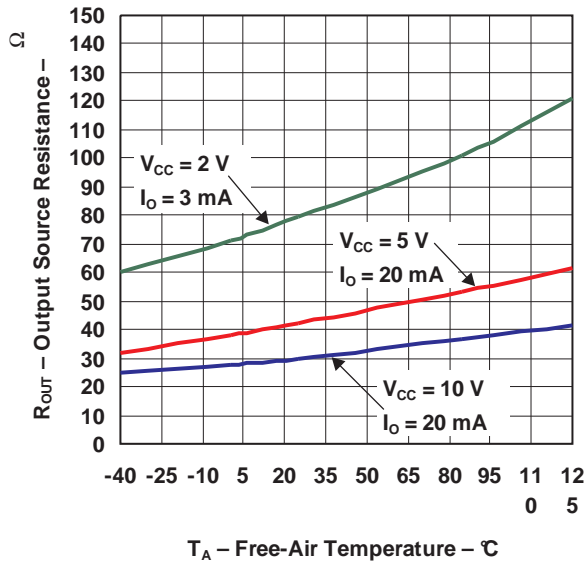
OSCILLATOR FREQUENCY
VS
OSCILLATOR CAPACITANCE



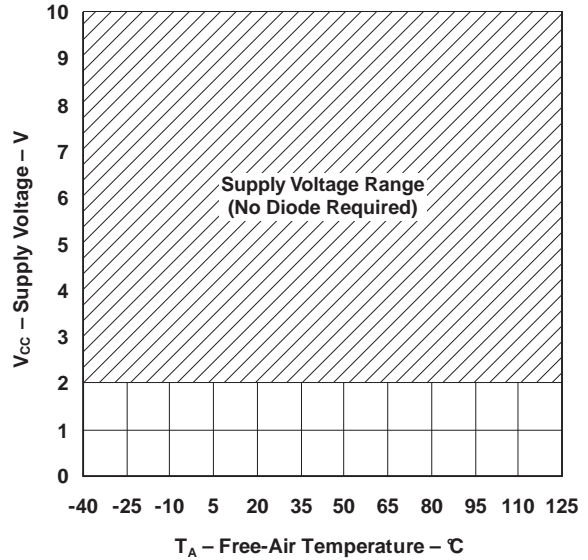
OSCILLATOR FREQUENCY
VS
TEMPERATURE



OUTPUT RESISTANCE
VS
TEMPERATURE

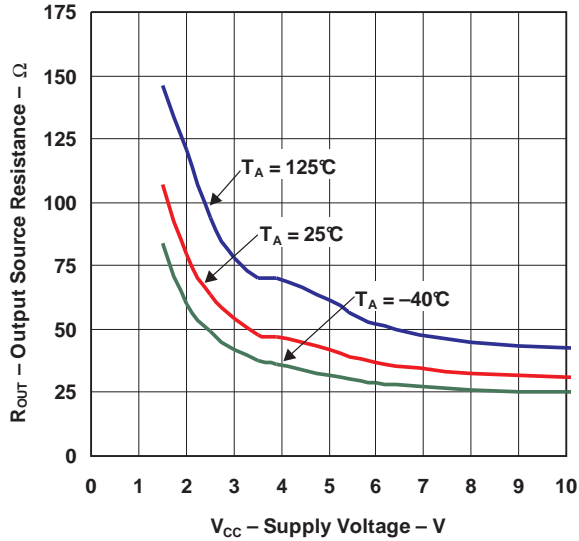


SUPPLY VOLTAGE
VS
TEMPERATURE

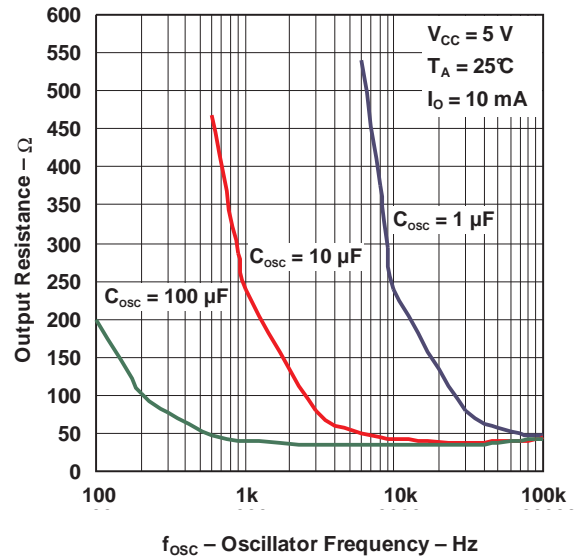


TYPICAL CHARACTERISTICS (continued)

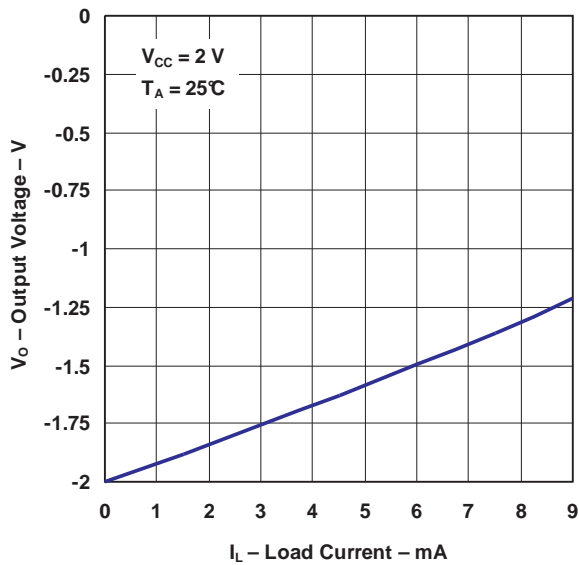
**OUTPUT RESISTANCE
VS
SUPPLY VOLTAGE**



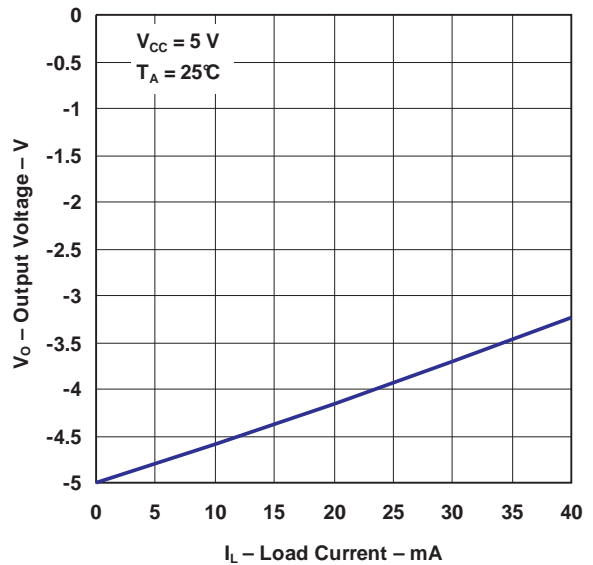
**OUTPUT RESISTANCE
VS
OSCILLATOR FREQUENCY**



**OUTPUT VOLTAGE
VS
LOAD CURRENT**

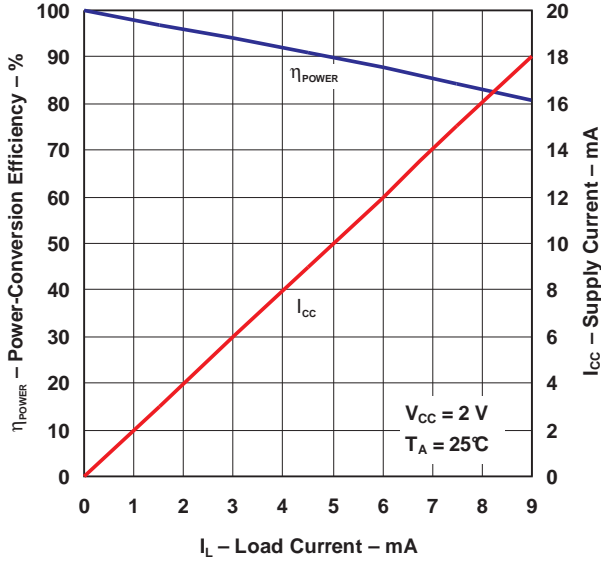


**OUTPUT VOLTAGE
VS
LOAD CURRENT**

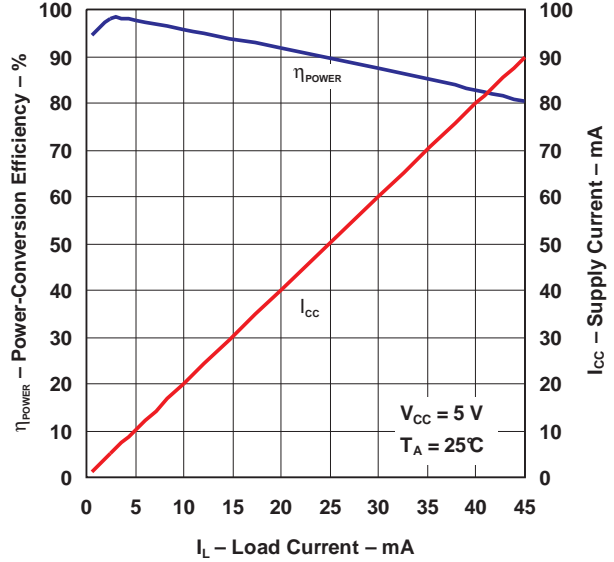


TYPICAL CHARACTERISTICS (continued)

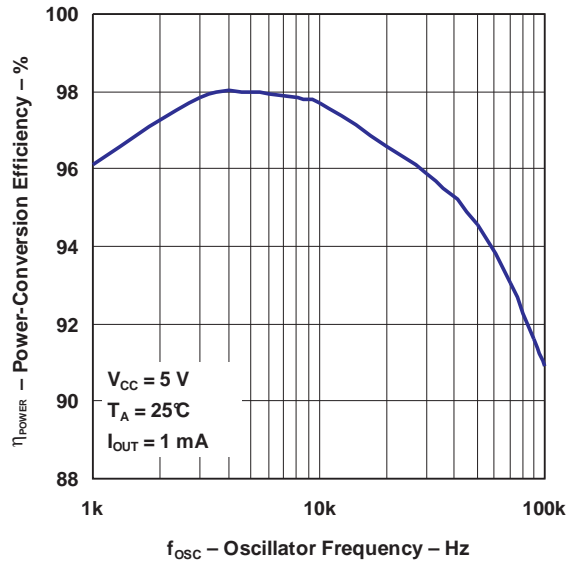
EFFICIENCY AND SUPPLY CURRENT
VS
LOAD CURRENT



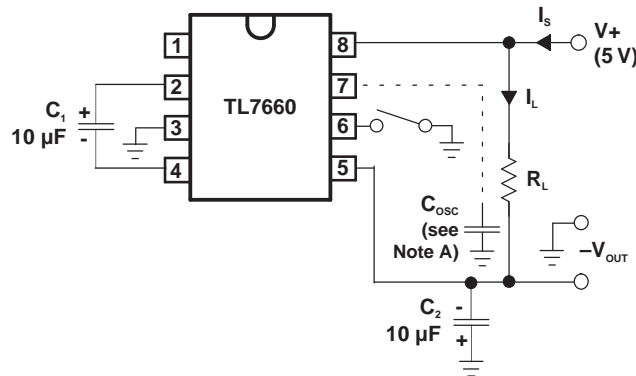
EFFICIENCY AND SUPPLY CURRENT
VS
LOAD CURRENT



EFFICIENCY
VS
OSCILLATOR FREQUENCY



APPLICATION INFORMATION



- A. In the circuit, there is no external capacitor applied to terminal 7. However when device is plugged into a test socket, there is usually a very small but finite stray capacitance present on the order of 10 pF.

Figure 1. Test Circuit

The TL7660 contains all the necessary circuitry to complete a negative voltage converter, with the exception of two external capacitors which may be inexpensive 10 μF polarized electrolytic types. The mode of operation of the device may be best understood by considering Figure 2, which shows an idealized negative voltage converter. Capacitor C_1 is charged to a voltage, V_{CC} , for the half cycle when switches S_1 and S_3 are closed. (Note: Switches S_2 and S_4 are open during this half cycle.) During the second half cycle of operation, switches S_2 and S_4 are closed, with S_1 and S_3 open, thereby shifting capacitor C_1 negatively by V_{CC} volts. Charge is then transferred from C_1 to C_2 such that the voltage on C_2 is exactly V_{CC} , assuming ideal switches and no load on C_2 . The TL7660 approaches this ideal situation more closely than existing non-mechanical circuits. In the TL7660, the four switches of Figure 2 are MOS power switches: S_1 is a p-channel device, and S_2 , S_3 , and S_4 are n-channel devices. The main difficulty with this design is that in integrating the switches, the substrates of S_3 and S_4 must always remain reverse biased with respect to their sources, but not so much as to degrade their ON resistances. In addition, at circuit start up and under output short circuit conditions ($V_{OUT} = V_{CC}$), the output voltage must be sensed and the substrate bias adjusted accordingly. Failure to accomplish this results in high power losses and probable device latchup. This problem is eliminated in the TL7660 by a logic network which senses the output voltage (V_{OUT}) together with the level translators and switches the substrates of S_3 and S_4 to the correct level to maintain necessary reverse bias.

The voltage regulator portion of the TL7660 is an integral part of the anti-latchup circuitry; however, its inherent voltage drop can degrade operation at low voltages. Therefore, to improve low-voltage operation, the LV terminal should be connected to GND, disabling the regulator. For supply voltages greater than 3.5 V, the LV terminal must be left open to insure latchup proof operation and prevent device damage.

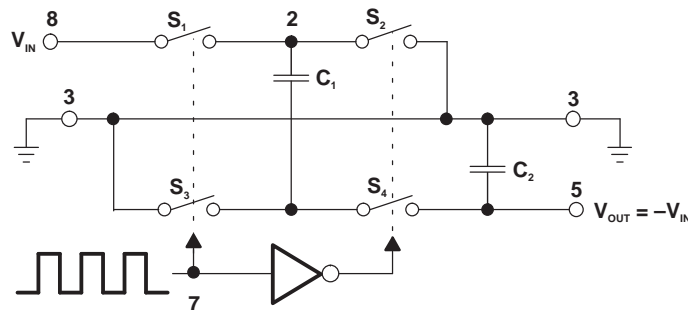


Figure 2. Idealized Negative-Voltage Converter

APPLICATION INFORMATION (continued)

Theoretical Power Efficiency Considerations

In theory, a voltage converter can approach 100% efficiency if certain conditions are met.

- The driver circuitry consumes minimal power.
- The output switches have extremely low ON resistance and virtually no offset.
- The impedances of the pump and reservoir capacitors are negligible at the pump frequency.

The TL7660 approaches these conditions for negative voltage conversion if large values of C_1 and C_2 are used.

Energy is only lost in the transfer of charge between capacitors if a change in voltage occurs. The energy lost is defined by:

$$E = \frac{1}{2} C_1 (V_1^2 - V_2^2)$$

Where V_1 and V_2 are the voltages on C_1 during the pump and transfer cycles. If the impedances of C_1 and C_2 are relatively high at the pump frequency (see [Figure 2](#)) compared to the value of R_L , there is a substantial difference in the voltages V_1 and V_2 . Therefore, it is not only desirable to make C_2 as large as possible to eliminate output voltage ripple but also to employ a correspondingly large value for C_1 in order to achieve maximum efficiency of operation.

Do's and Don'ts

- Do not exceed maximum supply voltages.
- Do not connect LV terminal to GND for supply voltages greater than 3.5 V.
- Do not short circuit the output to V_{CC} supply for supply voltages above 5.5 V for extended periods, however, transient conditions including start-up are okay.
- When using polarized capacitors, the positive terminal of C_1 must be connected to terminal 2 of the TL7660, and the positive terminal of C_2 must be connected to GND.
- If the voltage supply driving the TL7660 has a large source impedance (25 Ω – 30 Ω), then a 2.2- μ F capacitor from terminal 8 to ground may be required to limit rate of rise of input voltage to less than 2V/ μ s.
- Ensure that the output (terminal 5) does not go more positive than GND (terminal 3). Device latch up occurs under these conditions. A 1N914 or similar diode placed in parallel with C_2 prevents the device from latching up under these conditions (anode to terminal 5, cathode to terminal 3).

APPLICATION INFORMATION (continued)

Typical Applications

Simple Negative Voltage Converter

The majority of applications will undoubtedly utilize the TL7660 for generation of negative supply voltages. Figure 3 shows typical connections to provide a negative supply negative (GND) for supply voltages below 3.5 V.

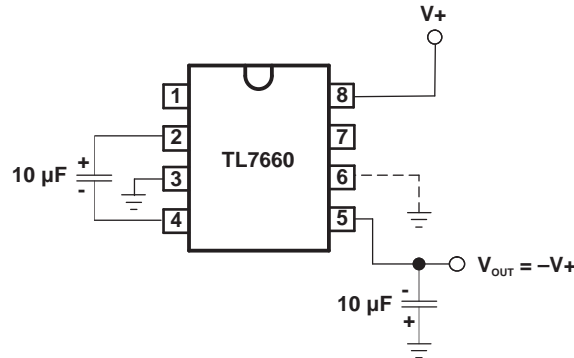


Figure 3. Simple Negative-Voltage Converter

The output characteristics of the circuit in Figure 3 can be approximated by an ideal voltage source in series with a resistance. The voltage source has a value of $-V_{CC}$. The output impedance (R_O) is a function of the ON resistance of the internal MOS switches (shown in Figure 2), the switching frequency, the value of C_1 and C_2 , and the ESR (equivalent series resistance) of C_1 and C_2 . A good first order approximation for R_O is:

$$R_O \approx 2(R_{SW1} + R_{SW3} + ESR_{C1}) + 2(R_{SW2} + R_{SW4} + ESR_{C1})$$

$$R_O \approx 2(R_{SW1} + R_{SW3} + ESR_{C1}) + 1/f_{PUMP}C_1 + ESR_{C2}$$

Where $f_{PUMP} = f_{OSC}/2$, R_{SWX} = MOSFET switch resistance.

Combining the four R_{SWX} terms as R_{SW} , we see that:

$$R_O \approx 2(R_{SW}) + 1/f_{PUMP}C_1 + 4(ESR_{C1}) + ESR_{C2}$$

R_{SW} , the total switch resistance, is a function of supply voltage and temperature (See the Output Source Resistance graphs). Careful selection of C_1 and C_2 reduces the remaining terms, minimizing the output impedance. High value capacitors reduce the $1/f_{PUMP}C_1$ component, and low ESR capacitors lower the ESR term. Increasing the oscillator frequency reduces the $1/f_{PUMP}C_1$ term but may have the side effect of a net increase in output impedance when $C_1 > 10 \mu F$ and there is no longer enough time to fully charge the capacitors every cycle. In a typical application where $f_{OSC} = 10 \text{ kHz}$ and $C = C_1 = C_2 = 10 \mu F$:

$$R_O \approx 2(23) + 1/(5 \times 10^3)(10^{-5}) + 4(ESR_{C1}) + ESR_{C2}$$

$$R_O \approx 46 + 20 + 5(ESR_C)$$

Because the ESRs of the capacitors are reflected in the output impedance multiplied by a factor of 5, a high value could potentially swamp out a low $1/f_{PUMP}C_1$ term, rendering an increase in switching frequency or filter capacitance ineffective. Typical electrolytic capacitors may have ESRs as high as 10Ω .

APPLICATION INFORMATION (continued)

Output Ripple

ESR also affects the ripple voltage seen at the output. The total ripple is determined by two voltages, A and B, as shown in Figure 4. Segment A is the voltage drop across the ESR of C_2 at the instant it goes from being charged by C_1 (current flow into C_2) to being discharged through the load (current flowing out of C_2). The magnitude of this current change is $2 \times I_{OUT}$, hence the total drop is $2 \times I_{OUT} \times eSR_{C2}$ V. Segment B is the voltage change across C_2 during time t_2 , the half of the cycle when C_2 supplies current to the load. The drop at B is $I_{OUT} \times t_2/C_2$ V. The peak-to-peak ripple voltage is the sum of these voltage drops:

$$V_{RIPPLE} \approx (1/(2f_{PUMP}C_2) + 2(ESR_{C2})) \times I_{OUT}$$

Again, a low ESR capacitor results in a higher performance output.

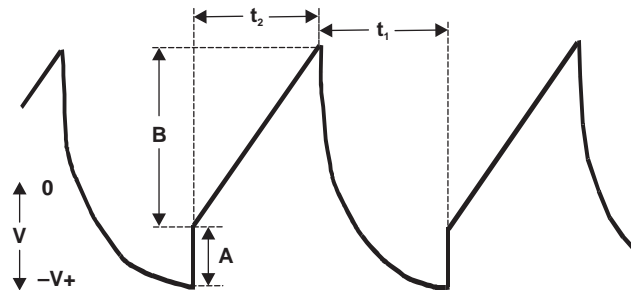


Figure 4. Output Ripple

Paralleling Devices

Any number of TL7660 voltage converters may be paralleled to reduce output resistance (see Figure 5). The reservoir capacitor, C_2 , serves all devices, while each device requires its own pump capacitor, C_1 . The resultant output resistance would be approximately:

$$R_{OUT} = R_{OUT} \text{ (of TL7660)}/n \text{ (number of devices)}$$

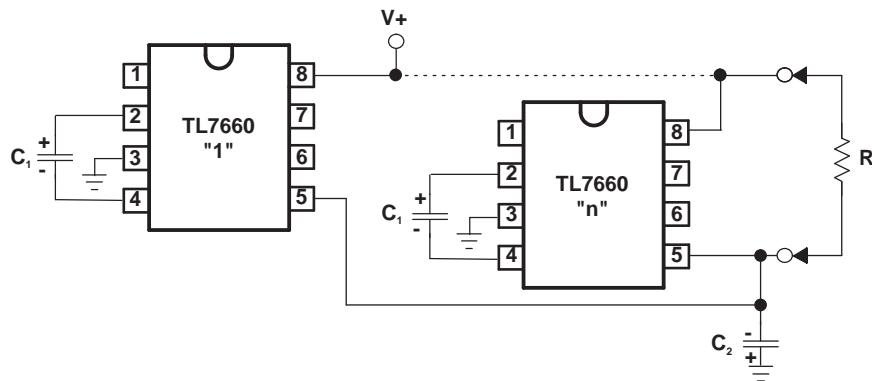


Figure 5. Paralleling Devices

APPLICATION INFORMATION (continued)

Cascading Devices

The TL7660 may be cascaded as shown to produce larger negative multiplication of the initial supply voltage (see Figure 6). However, due to the finite efficiency of each device, the practical limit is 10 devices for light loads. The output voltage is defined by:

$$V_{OUT} = -n (V_{IN})$$

Where n is an integer representing the number of devices cascaded. The resulting output resistance would be approximately the weighted sum of the individual TL7660 R_{OUT} values.

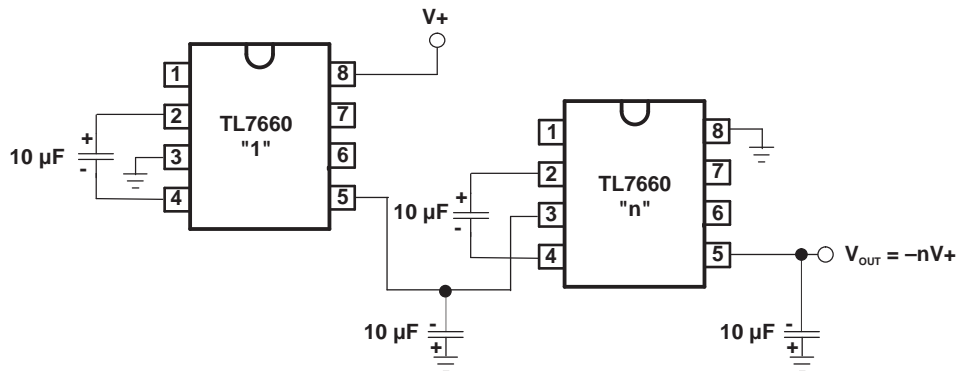


Figure 6. Cascading Devices for Increased Output Voltage

Changing the TL7660 Oscillator Frequency

It may be desirable in some applications, due to noise or other considerations, to increase the oscillator frequency. This is achieved by overdriving the oscillator from an external clock, as shown in Figure 7. To prevent possible device latchup, a 1-k Ω resistor must be used in series with the clock output. When the external clock frequency is generated using TTL logic, the addition of a 10-k Ω pullup resistor to V_{CC} supply is required. Note that the pump frequency with external clocking, as with internal clocking, will be 1/2 of the clock frequency. Output transitions occur on the positive-going edge of the clock.

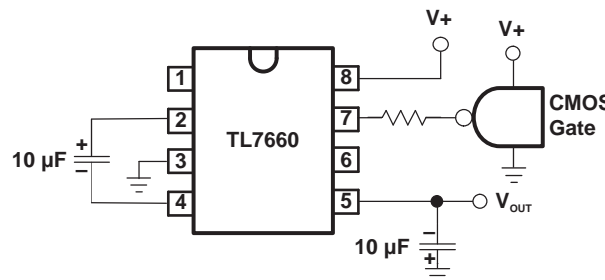


Figure 7. External Clocking

APPLICATION INFORMATION (continued)

It is also possible to increase the conversion efficiency of the TL7660 at low load levels by lowering the oscillator frequency (see Figure 8). This reduces the switching losses. However, lowering the oscillator frequency causes an undesirable increase in the impedance of the pump (C_1) and reservoir (C_2) capacitors; this is overcome by increasing the values of C_1 and C_2 by the same factor that the frequency has been reduced. For example, the addition of a 100-pF capacitor between terminal 7 (OSC) and V_{CC} lowers the oscillator frequency to 1 kHz from its nominal frequency of 10 kHz (a multiple of 10), and thereby necessitate a corresponding increase in the value of C_1 and C_2 (from 10 μ F to 100 μ F).

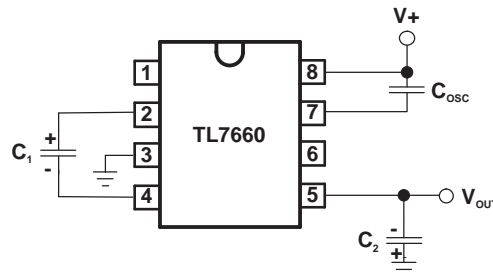


Figure 8. Lowering Oscillator Frequency

Positive Voltage Doubling

The TL7660 may be used to achieve positive voltage doubling using the circuit shown in Figure 9. In this application, the pump inverter switches of the TL7660 are used to charge C_1 to a voltage level of $V_{CC} - V_F$ (where V_{CC} is the supply voltage and V_F is the forward voltage drop of diode D_1). On the transfer cycle, the voltage on C_1 plus the supply voltage (V_{CC}) is applied through diode D_2 to capacitor C_2 . The voltage thus created on C_2 becomes $(2V_{CC}) - (2V_F)$ or twice the supply voltage minus the combined forward voltage drops of diodes D_1 and D_2 .

The source impedance of the output (V_{OUT}) depends on the output current.

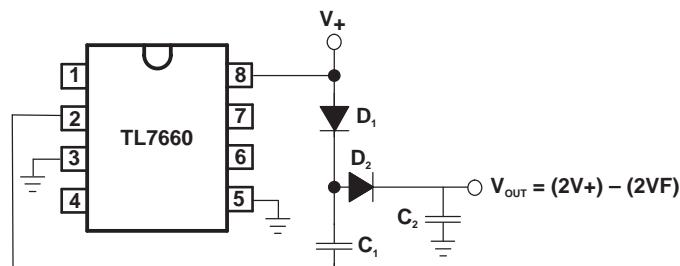


Figure 9. Positive-Voltage Doubler

APPLICATION INFORMATION (continued)

Combined Negative Voltage Conversion and Positive Supply Doubling

Figure 10 combines the functions shown in Figure 3 and Figure 9 to provide negative voltage conversion and positive voltage doubling simultaneously. This approach would be, for example, suitable for generating +9 V and –5 V from an existing 5-V supply. In this instance, capacitors C_1 and C_3 perform the pump and reservoir functions, respectively, for the generation of the negative voltage, while capacitors C_2 and C_4 are pump and reservoir, respectively, for the doubled positive voltage. There is a penalty in this configuration that combines both functions, however, in that the source impedances of the generated supplies are somewhat higher, due to the finite impedance of the common charge pump driver at terminal 2 of the device.

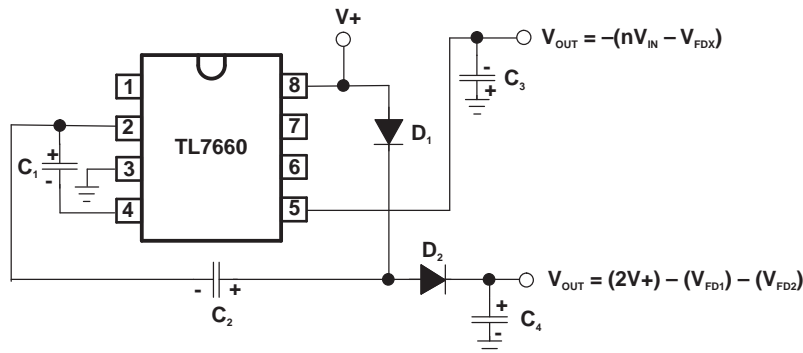


Figure 10. Combined Negative-Voltage Converter and Positive-Voltage Doubler

Voltage Splitting

The bidirectional characteristics can also be used to split a higher supply in half (see Figure 11). The combined load is evenly shared between the two sides. Because the switches share the load in parallel, the output impedance is much lower than in the standard circuits, and higher currents can be drawn from the device. By using this circuit and then the circuit of Figure 6, 15 V can be converted (via 7.5 V, and –7.5 V) to a nominal –15 V, although with rather high series output resistance (~250 Ω).

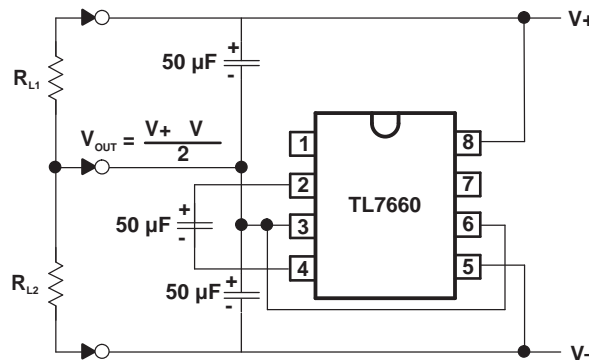


Figure 11. Splitting a Supply in Half

PACKAGING INFORMATION

Orderable Device	Status (1)	Package Type	Package Drawing	Pins	Package Qty	Eco Plan (2)	Lead finish/ Ball material (6)	MSL Peak Temp (3)	Op Temp (°C)	Device Marking (4/5)	Samples
TL7660CD	ACTIVE	SOIC	D	8	75	RoHS & Green	NIPDAU	Level-1-260C-UNLIM	-40 to 85	7660C	Samples
TL7660CDGKR	ACTIVE	VSSOP	DGK	8	2500	RoHS & Green	NIPDAU	Level-1-260C-UNLIM	-40 to 85	TME	Samples
TL7660CDGKT	ACTIVE	VSSOP	DGK	8	250	RoHS & Green	NIPDAU	Level-1-260C-UNLIM	-40 to 85	TME	Samples
TL7660CDR	ACTIVE	SOIC	D	8	2500	RoHS & Green	NIPDAU	Level-1-260C-UNLIM	-40 to 85	7660C	Samples
TL7660CP	ACTIVE	PDIP	P	8	50	RoHS & Green	NIPDAU	N / A for Pkg Type	-40 to 85	TL7660CP	Samples
TL7660ID	ACTIVE	SOIC	D	8	75	RoHS & Green	NIPDAU	Level-1-260C-UNLIM	-40 to 125	7660I	Samples
TL7660IDGKR	ACTIVE	VSSOP	DGK	8	2500	RoHS & Green	NIPDAU	Level-1-260C-UNLIM	-40 to 125	TNE	Samples
TL7660IDGKT	ACTIVE	VSSOP	DGK	8	250	RoHS & Green	NIPDAU	Level-1-260C-UNLIM	-40 to 125	TNE	Samples
TL7660IDR	ACTIVE	SOIC	D	8	2500	RoHS & Green	NIPDAU	Level-1-260C-UNLIM	-40 to 125	7660I	Samples
TL7660IP	ACTIVE	PDIP	P	8	50	RoHS & Green	NIPDAU	N / A for Pkg Type	-40 to 125	TL7660IP	Samples

(1) The marketing status values are defined as follows:

ACTIVE: Product device recommended for new designs.

LIFEBUY: TI has announced that the device will be discontinued, and a lifetime-buy period is in effect.

NRND: Not recommended for new designs. Device is in production to support existing customers, but TI does not recommend using this part in a new design.

PREVIEW: Device has been announced but is not in production. Samples may or may not be available.

OBSOLETE: TI has discontinued the production of the device.

(2) **RoHS:** TI defines "RoHS" to mean semiconductor products that are compliant with the current EU RoHS requirements for all 10 RoHS substances, including the requirement that RoHS substance do not exceed 0.1% by weight in homogeneous materials. Where designed to be soldered at high temperatures, "RoHS" products are suitable for use in specified lead-free processes. TI may reference these types of products as "Pb-Free".

RoHS Exempt: TI defines "RoHS Exempt" to mean products that contain lead but are compliant with EU RoHS pursuant to a specific EU RoHS exemption.

Green: TI defines "Green" to mean the content of Chlorine (Cl) and Bromine (Br) based flame retardants meet JS709B low halogen requirements of <=1000ppm threshold. Antimony trioxide based flame retardants must also meet the <=1000ppm threshold requirement.

(3) MSL, Peak Temp. - The Moisture Sensitivity Level rating according to the JEDEC industry standard classifications, and peak solder temperature.

(4) There may be additional marking, which relates to the logo, the lot trace code information, or the environmental category on the device.

⁽⁵⁾ Multiple Device Markings will be inside parentheses. Only one Device Marking contained in parentheses and separated by a "~" will appear on a device. If a line is indented then it is a continuation of the previous line and the two combined represent the entire Device Marking for that device.

⁽⁶⁾ Lead finish/Ball material - Orderable Devices may have multiple material finish options. Finish options are separated by a vertical ruled line. Lead finish/Ball material values may wrap to two lines if the finish value exceeds the maximum column width.

Important Information and Disclaimer:The information provided on this page represents TI's knowledge and belief as of the date that it is provided. TI bases its knowledge and belief on information provided by third parties, and makes no representation or warranty as to the accuracy of such information. Efforts are underway to better integrate information from third parties. TI has taken and continues to take reasonable steps to provide representative and accurate information but may not have conducted destructive testing or chemical analysis on incoming materials and chemicals. TI and TI suppliers consider certain information to be proprietary, and thus CAS numbers and other limited information may not be available for release.

In no event shall TI's liability arising out of such information exceed the total purchase price of the TI part(s) at issue in this document sold by TI to Customer on an annual basis.

TAPE AND REEL INFORMATION

QUADRANT ASSIGNMENTS FOR PIN 1 ORIENTATION IN TAPE


*All dimensions are nominal

Device	Package Type	Package Drawing	Pins	SPQ	Reel Diameter (mm)	Reel Width W1 (mm)	A0 (mm)	B0 (mm)	K0 (mm)	P1 (mm)	W (mm)	Pin1 Quadrant
TL7660CDGKR	VSSOP	DGK	8	2500	330.0	12.4	5.3	3.3	1.3	8.0	12.0	Q1
TL7660CDGKT	VSSOP	DGK	8	250	180.0	12.4	5.3	3.3	1.3	8.0	12.0	Q1
TL7660CDR	SOIC	D	8	2500	330.0	12.4	6.4	5.2	2.1	8.0	12.0	Q1
TL7660IDGKR	VSSOP	DGK	8	2500	330.0	12.4	5.3	3.3	1.3	8.0	12.0	Q1
TL7660IDGKT	VSSOP	DGK	8	250	180.0	12.4	5.3	3.3	1.3	8.0	12.0	Q1
TL7660IDR	SOIC	D	8	2500	330.0	12.4	6.4	5.2	2.1	8.0	12.0	Q1

TAPE AND REEL BOX DIMENSIONS


*All dimensions are nominal

Device	Package Type	Package Drawing	Pins	SPQ	Length (mm)	Width (mm)	Height (mm)
TL7660CDGKR	VSSOP	DGK	8	2500	346.0	346.0	35.0
TL7660CDGKT	VSSOP	DGK	8	250	200.0	183.0	25.0
TL7660CDR	SOIC	D	8	2500	353.0	353.0	32.0
TL7660IDGKR	VSSOP	DGK	8	2500	346.0	346.0	35.0
TL7660IDGKT	VSSOP	DGK	8	250	200.0	183.0	25.0
TL7660IDR	SOIC	D	8	2500	353.0	353.0	32.0

TUBE


*All dimensions are nominal

Device	Package Name	Package Type	Pins	SPQ	L (mm)	W (mm)	T (μm)	B (mm)
TL7660CD	D	SOIC	8	75	507	8	3940	4.32
TL7660CP	P	PDIP	8	50	506	13.97	11230	4.32
TL7660ID	D	SOIC	8	75	507	8	3940	4.32
TL7660IP	P	PDIP	8	50	506	13.97	11230	4.32

DGK0008A



PACKAGE OUTLINE

VSSOP - 1.1 mm max height

SMALL OUTLINE PACKAGE



4214862/A 04/2023

NOTES:

PowerPAD is a trademark of Texas Instruments.

1. All linear dimensions are in millimeters. Any dimensions in parenthesis are for reference only. Dimensioning and tolerancing per ASME Y14.5M.
2. This drawing is subject to change without notice.
3. This dimension does not include mold flash, protrusions, or gate burrs. Mold flash, protrusions, or gate burrs shall not exceed 0.15 mm per side.
4. This dimension does not include interlead flash. Interlead flash shall not exceed 0.25 mm per side.
5. Reference JEDEC registration MO-187.

EXAMPLE BOARD LAYOUT

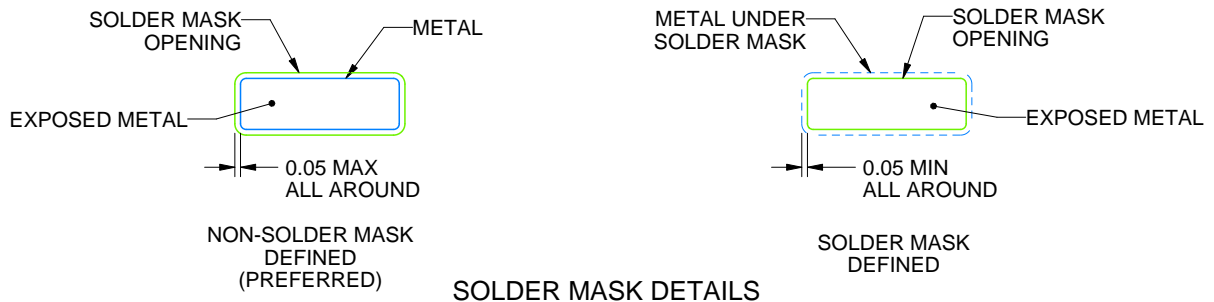
DGK0008A

™ VSSOP - 1.1 mm max height

SMALL OUTLINE PACKAGE



LAND PATTERN EXAMPLE
EXPOSED METAL SHOWN
SCALE: 15X



SOLDER MASK DETAILS

4214862/A 04/2023

NOTES: (continued)

6. Publication IPC-7351 may have alternate designs.
7. Solder mask tolerances between and around signal pads can vary based on board fabrication site.
8. Vias are optional depending on application, refer to device data sheet. If any vias are implemented, refer to their locations shown on this view. It is recommended that vias under paste be filled, plugged or tented.
9. Size of metal pad may vary due to creepage requirement.

EXAMPLE STENCIL DESIGN

DGK0008A

TM VSSOP - 1.1 mm max height

SMALL OUTLINE PACKAGE



SOLDER PASTE EXAMPLE
SCALE: 15X

4214862/A 04/2023

NOTES: (continued)

11. Laser cutting apertures with trapezoidal walls and rounded corners may offer better paste release. IPC-7525 may have alternate design recommendations.
12. Board assembly site may have different recommendations for stencil design.



D0008A

PACKAGE OUTLINE

SOIC - 1.75 mm max height

SMALL OUTLINE INTEGRATED CIRCUIT



4214825/C 02/2019

NOTES:

1. Linear dimensions are in inches [millimeters]. Dimensions in parenthesis are for reference only. Controlling dimensions are in inches. Dimensioning and tolerancing per ASME Y14.5M.
2. This drawing is subject to change without notice.
3. This dimension does not include mold flash, protrusions, or gate burrs. Mold flash, protrusions, or gate burrs shall not exceed $.006$ [0.15] per side.
4. This dimension does not include interlead flash.
5. Reference JEDEC registration MS-012, variation AA.

EXAMPLE BOARD LAYOUT

D0008A

SOIC - 1.75 mm max height

SMALL OUTLINE INTEGRATED CIRCUIT



LAND PATTERN EXAMPLE
 EXPOSED METAL SHOWN
 SCALE:8X



SOLDER MASK DETAILS

4214825/C 02/2019

NOTES: (continued)

- 6. Publication IPC-7351 may have alternate designs.
- 7. Solder mask tolerances between and around signal pads can vary based on board fabrication site.

EXAMPLE STENCIL DESIGN

D0008A

SOIC - 1.75 mm max height

SMALL OUTLINE INTEGRATED CIRCUIT



SOLDER PASTE EXAMPLE
BASED ON .005 INCH [0.125 MM] THICK STENCIL
SCALE:8X

4214825/C 02/2019

NOTES: (continued)

8. Laser cutting apertures with trapezoidal walls and rounded corners may offer better paste release. IPC-7525 may have alternate design recommendations.
9. Board assembly site may have different recommendations for stencil design.

P (R-PDIP-T8)

PLASTIC DUAL-IN-LINE PACKAGE



- NOTES:
- A. All linear dimensions are in inches (millimeters).
 - B. This drawing is subject to change without notice.
 - C. Falls within JEDEC MS-001 variation BA.

IMPORTANT NOTICE AND DISCLAIMER

TI PROVIDES TECHNICAL AND RELIABILITY DATA (INCLUDING DATA SHEETS), DESIGN RESOURCES (INCLUDING REFERENCE DESIGNS), APPLICATION OR OTHER DESIGN ADVICE, WEB TOOLS, SAFETY INFORMATION, AND OTHER RESOURCES "AS IS" AND WITH ALL FAULTS, AND DISCLAIMS ALL WARRANTIES, EXPRESS AND IMPLIED, INCLUDING WITHOUT LIMITATION ANY IMPLIED WARRANTIES OF MERCHANTABILITY, FITNESS FOR A PARTICULAR PURPOSE OR NON-INFRINGEMENT OF THIRD PARTY INTELLECTUAL PROPERTY RIGHTS.

These resources are intended for skilled developers designing with TI products. You are solely responsible for (1) selecting the appropriate TI products for your application, (2) designing, validating and testing your application, and (3) ensuring your application meets applicable standards, and any other safety, security, regulatory or other requirements.

These resources are subject to change without notice. TI grants you permission to use these resources only for development of an application that uses the TI products described in the resource. Other reproduction and display of these resources is prohibited. No license is granted to any other TI intellectual property right or to any third party intellectual property right. TI disclaims responsibility for, and you will fully indemnify TI and its representatives against, any claims, damages, costs, losses, and liabilities arising out of your use of these resources.

TI's products are provided subject to [TI's Terms of Sale](#) or other applicable terms available either on [ti.com](https://www.ti.com) or provided in conjunction with such TI products. TI's provision of these resources does not expand or otherwise alter TI's applicable warranties or warranty disclaimers for TI products.

TI objects to and rejects any additional or different terms you may have proposed.

Mailing Address: Texas Instruments, Post Office Box 655303, Dallas, Texas 75265
Copyright © 2024, Texas Instruments Incorporated