



## Intelligent Temperature Monitor and PWM Fan Controller

### FEATURES

- **Remote Temperature Sensor:**  
±2°C Accuracy, 0.125°C Resolution
- **Local Temperature Sensor:**  
±2°C Accuracy, 0.125°C Resolution
- **PWM Controller**
- **PWM Frequency: 10Hz to 40kHz**  
Duty Cycle: 0% to 100%, 8 Bits
- **Automatic Fan Speed Control Loops**
- **SMBus Interface**
- **Power: 2.7V to 5.5V**
- **Package (Green): QSOP-16 (4mm × 5mm)**
- **RoHS Compliant**

### APPLICATIONS

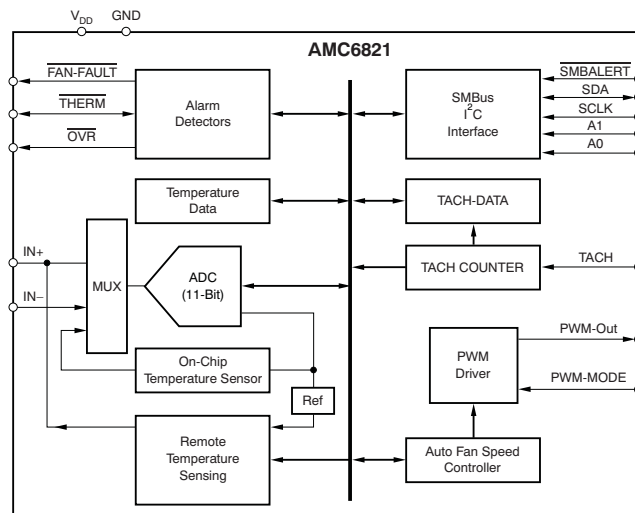
- **Notebook and Desktop PCs**
- **Network Servers**
- **Telecommunications Equipment**
- **PC-Based Equipment**
- **DLP™ and LCD Projectors**

### DESCRIPTION

The AMC6821 is an intelligent temperature monitor and pulse-width modulation (PWM) fan controller. It is designed for noise-sensitive or power-sensitive applications that require active system cooling. Using either a low-frequency or a high-frequency PWM signal, this device can simultaneously drive a fan, monitor remote sensor diode temperatures, and measure and control the fan speed so that it operates with minimal acoustic noise at the lowest possible speed.

The AMC6821 has three fan control modes: Auto Temperature-Fan mode, Software-RPM mode, and Software-DCY mode. Each mode controls the fan speed by changing the duty cycle of a PWM output. Auto Temperature-Fan mode is an intelligent, closed-loop control that optimizes fan speed according to user-defined parameters. This mode allows the AMC6821 to run as a stand-alone device without CPU intervention; the fan can continue to be controlled (based on temperature measurements) even if the CPU or system locks up. Software-RPM mode is a second closed-loop control. In this mode, the AMC6821 adjusts the PWM output to maintain a consistent fan speed at a user-specified target value; that is, the device functions as a fan speed regulator. Software-RPM mode can also be used to allow the AMC6821 to operate as a stand-alone device. The third mode, Software-DCY, is open-loop. In Software-DCY mode, the PWM duty cycle is set directly by the value written to the device.

The AMC6821 has a programmable **SMBALERT** output to indicate error conditions and a dedicated **FAN-FAULT** output to indicate fan failure. The **THERM** pin is a fail-safe output for over-temperature conditions that can be used to throttle a CPU clock. Additionally, the **OV̄R** pin indicates the over-temperature limit as well. All of the alarm thresholds are set through the device registers. The AMC6821 is available in a QSOP-16 package.



Patents 7, 083,328 and 7,098,617.



Please be aware that an important notice concerning availability, standard warranty, and use in critical applications of Texas Instruments semiconductor products and disclaimers thereto appears at the end of this data sheet.

DLP is a trademark of Texas Instruments.  
Pentium M, Pentium-IV are trademarks of Intel.  
JMC is a trademark of JMC Products.  
I2C is a trademark of Philips International, Inc.  
All other trademarks are the property of their respective owners.



This integrated circuit can be damaged by ESD. Texas Instruments recommends that all integrated circuits be handled with appropriate precautions. Failure to observe proper handling and installation procedures can cause damage.

ESD damage can range from subtle performance degradation to complete device failure. Precision integrated circuits may be more susceptible to damage because very small parametric changes could cause the device not to meet its published specifications.

### ORDERING INFORMATION<sup>(1)</sup>

| PRODUCT     | PACKAGE-LEAD | PACKAGE DESIGNATOR | SPECIFIED TEMPERATURE RANGE | PACKAGE MARKING |
|-------------|--------------|--------------------|-----------------------------|-----------------|
| AMC6821SDBQ | QSOP-16      | DBQ                | –40°C to +125°C             | 6821S           |

- (1) For the most current package and ordering information see the Package Option Addendum at the end of this document, or see the TI website at [www.ti.com](http://www.ti.com).

### ABSOLUTE MAXIMUM RATINGS<sup>(1)</sup>

Over operating free-air temperature range (unless otherwise noted).

|                                     | VALUE                  | UNIT |
|-------------------------------------|------------------------|------|
| $V_{DD}$ to GND                     | –0.3 to +6.5           | V    |
| Digital input voltage to GND        | –0.3 to +6.5           | V    |
| Input current                       | 10                     | mA   |
| Select pins A0, A1, PWM-MODE to GND | –0.3 to $V_{DD} + 0.3$ | V    |
| Analog input voltage to GND         | –0.3 to $V_{DD} + 0.3$ | V    |
| Operating temperature range         | –40 to +125            | °C   |
| Storage temperature range           | –65 to +150            | °C   |
| Junction temperature ( $T_J$ Max)   | +150                   | °C   |

- (1) Stresses above these ratings may cause permanent damage. Exposure to absolute maximum conditions for extended periods may degrade device reliability. These are stress ratings only, and functional operation of the device at these or any other conditions beyond those specified is not implied.

## ELECTRICAL CHARACTERISTICS

At  $T_A = -40^\circ\text{C}$  to  $+100^\circ\text{C}$  and  $V_{DD} = +3\text{V}$  or  $+5\text{V}$ , unless otherwise noted.

| PARAMETER                                    | CONDITIONS  | AMC6821                                  |           |           | UNIT             |               |
|--|---|--|-----------|-----------|------------------|---------------|
|  |   | MIN                                      | TYP       | MAX       |                  |               |
| <b>TEMPERATURE MEASUREMENT</b>               |   |  |           |           |                  |               |
| Local sensor accuracy                        | $T_A = 0^\circ\text{C}$ to $+90^\circ\text{C}$    |  | $\pm 0.5$ | $\pm 2.0$ | $^\circ\text{C}$ |               |
|  | $T_A = -25^\circ\text{C}$ to $+100^\circ\text{C}$ |  | $\pm 1.0$ | $\pm 3.0$ | $^\circ\text{C}$ |               |
| Remote sensor accuracy <sup>(1)</sup>        | $T_R = +50^\circ\text{C}$ to $+100^\circ\text{C}$ |  | $\pm 0.5$ | $\pm 2.0$ | $^\circ\text{C}$ |               |
|  | $T_R = -40^\circ\text{C}$ to $+125^\circ\text{C}$ |  | $\pm 1.0$ | $\pm 3.0$ | $^\circ\text{C}$ |               |
| Sensor resolution                            | Both channels                                     |  | 0.125     |           | $^\circ\text{C}$ |               |
| Conversion time                              | Two channels                                      |  | 62.5      |           | ms               |               |
| <b>PWM CONTROLLER</b>                        |   |  |           |           |                  |               |
| PWM frequency range (programmable)           |   | 10                                       |           | 40k       | Hz               |               |
| PWM frequency accuracy                       | $+25^\circ\text{C}$ to $+100^\circ\text{C}$       | -6                                       |           | +7        | %                |               |
| Duty cycle                                   | Programmable                                      | 0  |           | 100       | %                |               |
| Duty cycle resolution                        | 8-bit   |  | 0.39      |           | %/bit            |               |
| <b>FAN RPM-TO-DIGITAL CONVERTER</b>          |   |  |           |           |                  |               |
| Accuracy                                     | $+25^\circ\text{C}$ to $+100^\circ\text{C}$       | -6                                       |           | +7        | %                |               |
| Full-scale count                             |   |  |           | 65535     |                  |               |
| Nominal input RPM                            |   | 100                                      |           | 23000     | RPM              |               |
| Internal clock frequency for RPM measurement |   |  | 100       |           | kHz              |               |
| <b>DIGITAL INPUT/OUTPUT</b>                  |   |  |           |           |                  |               |
| $V_{OL}$                                     | Open-drain output low voltage                     | Sink current 6 mA, $V_{DD} = +3\text{V}$ | 0         |           | 0.4              | V             |
| $I_{OH}$                                     | Open-drain high-level output leakage current      |  |           | 0.1       | 1                | $\mu\text{A}$ |
| $V_{IH}$                                     | Input high voltage                                |  | 2.1       |           |                  | V             |
| $V_{IL}$                                     | Input low voltage                                 |  |           |           | 0.8              | V             |
| $I_{IH}$                                     | Input high current                                |  | -1        |           |                  | $\mu\text{A}$ |
| $I_{IL}$                                     | Input low current                                 |  |           |           | 1                | $\mu\text{A}$ |
| Input capacitance                            |   |  |           | 5         |                  | pF            |
| <b>POWER SUPPLY</b>                          |   |  |           |           |                  |               |
| Operating $V_{DD}$ Range                     |   | 2.7                                      | 5         | 5.5       | V                |               |
| Specified $V_{DD}$ Range                     |   | 3  |           | 5         | V                |               |
| Current                                      | $V_{DD} = 5$                                      |  | 1.1       | 2.0       | mA               |               |
| Power dissipation                            |   |  | 5         |           | mW               |               |
| Operating temperature                        |   | -40                                      |           | +125      | $^\circ\text{C}$ |               |
| Storage temperature                          |   | -65                                      |           | +150      | $^\circ\text{C}$ |               |

(1) The remote temperature sensor is optimized for the Pentium M™ thermal diode with diode ideality  $n = 1.0022$ , and  $T_A = 0^\circ\text{C}$  to  $+100^\circ\text{C}$ .

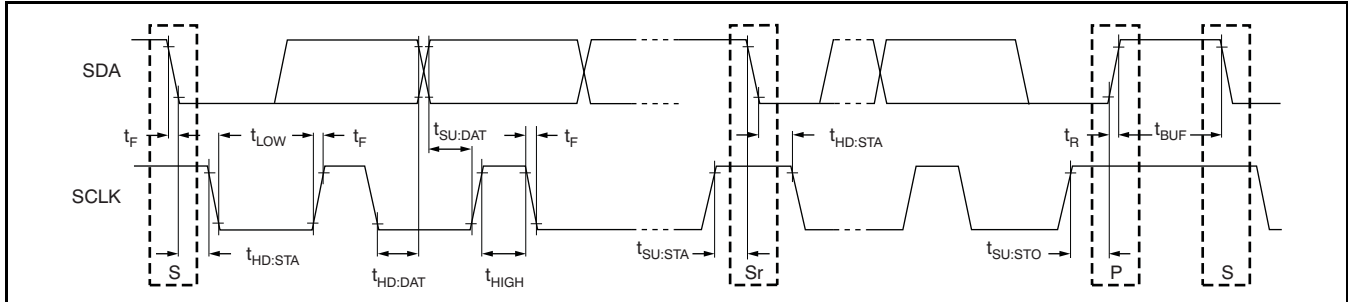


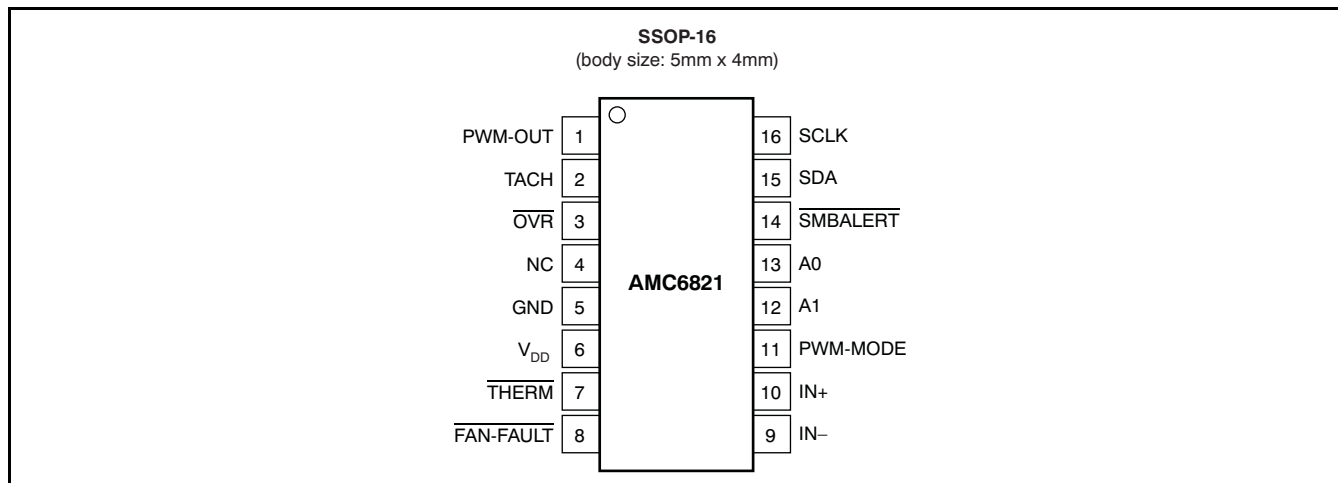
Figure 1. Timing Specification

**TIMING REQUIREMENTS**

At  $V_{DD} = +3V$  or  $+5V$ , and  $T_A = -40^{\circ}C$  to  $+125^{\circ}C$ , unless otherwise noted.

| PARAMETER    |  | AMC6821 |     |      | UNIT    |
|--------------|--|---------|-----|------|---------|
|              |  | MIN     | TYP | MAX  |         |
| $f_{SCLK}$   | Clock frequency  |         |     | 100  | kHz     |
| $t_{BUF}$    | Bus free time  | 4.7     |     |      | $\mu s$ |
| $t_{SU:STA}$ | Start setup time   | 4.7     |     |      | $\mu s$ |
| $t_{HD:STA}$ | Start hold time  | 4.0     |     |      | $\mu s$ |
| $t_{SU:STO}$ | Stop condition setup time  | 4.0     |     |      | $\mu s$ |
| $t_{LOW}$    | SCLK low time  | 4.7     |     |      | $\mu s$ |
| $t_{HIGH}$   | SCLK high time   | 4.0     |     |      | $\mu s$ |
| $t_R$        | SCLK, SDA rise time  |         |     | 1000 | ns      |
| $t_F$        | SCLK, SDA fall time  |         |     | 300  | ns      |
| $t_{SU:DAT}$ | Data setup time  | 350     |     |      | ns      |
| $t_{HD:DAT}$ | Data hold time   | 350     |     |      | ns      |
| $t_{POR}$    | Time from software reset command or power-on to normal operation. During this period, I <sup>2</sup> C™ communication is not recognized. |         |     | 1.5  | ms      |

## DEVICE INFORMATION



**Table 1. TERMINAL FUNCTIONS**

| NAME                          | PIN NO. | DESCRIPTION  |
|-------------------------------|---------|--|
| PWM-OUT                       | 1       | Digital output, open-drain. PWM output to control fan speed.   |
| TACH                          | 2       | Digital input. Fan tachometer input to measure the fan speed.  |
| $\overline{\text{OVR}}$       | 3       | Digital output, open-drain, active low. Goes low when temperature reaches the critical shutdown threshold or remote temperature sensor failed. (See the <a href="#">Interrupt</a> section for details.)  |
| NC                            | 4       | Not connected. Reserved for manufacturer's testing.  |
| GND                           | 5       | System ground  |
| $V_{\text{DD}}$               | 6       | Power supply, +3 to +5V  |
| THERM                         | 7       | Digital input/output (open-drain). As an output, an active low output indicates the temperature over the THERM temperature limit. As an input, the pin provides an external fan control. When the pin is pulled low by external signal, the THERM-IN bit is set, and the fan is set to full-speed. |
| $\overline{\text{FAN-FAULT}}$ | 8       | Digital open-drain output. Goes low when a fan failure is detected.  |
| IN-                           | 9       | Negative analog differential input. Connected to cathode of external temperature-sensing diode.  |
| IN+                           | 10      | Positive analog differential input. Connected to anode of external temperature-sensing diode Pentium-IV™ substrate transistor or general-purpose 2N3904 type transistor.   |
| PWM-MODE                      | 11      | PWM mode selection. When tied low (GND), the high PWM frequency range (1kHz to 40kHz) is selected. When tied to $V_{\text{DD}}$ or floated, the low PWM frequency range (10Hz to 94Hz) is selected. Checked only on power-up or reset.   |
| A1                            | 12      | Device slave address selection pin (see the <a href="#">SMB Interface</a> section for details). Checked only on power-up or reset.   |
| A0                            | 13      | Device slave address selection pin (see the <a href="#">SMB Interface</a> section for details). Checked only on power-up or reset.   |
| $\overline{\text{SMBALERT}}$  | 14      | Digital output, open-drain, $\overline{\text{SMBALERT}}$ , active low. Requires a pull-up resistor (2.2k $\Omega$ typical).  |
| SDA                           | 15      | Bi-directional digital I/O pin, SMBus data, open-drain. Requires a pull-up resistor (2.2k $\Omega$ typical).   |
| SCLK                          | 16      | Digital input, SMBus clock. Requires a pull-up resistor (2.2k $\Omega$ typical).   |

### TYPICAL CHARACTERISTICS

At  $T_A = +25^\circ\text{C}$  and  $V_{DD} = 5\text{V}$ , unless otherwise noted.

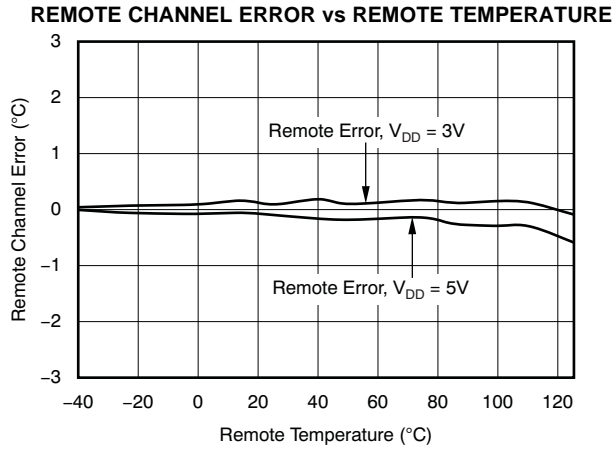


Figure 2.

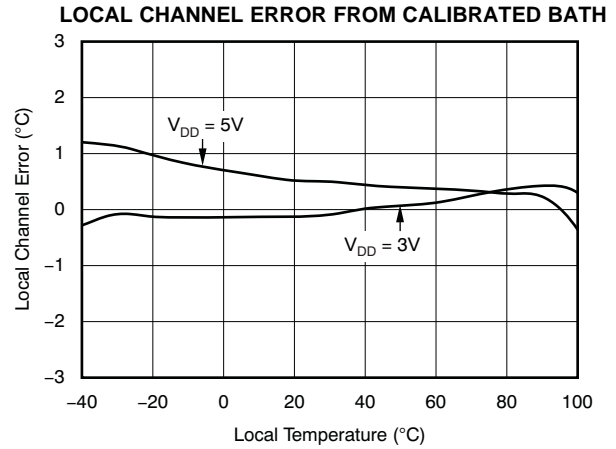


Figure 3.

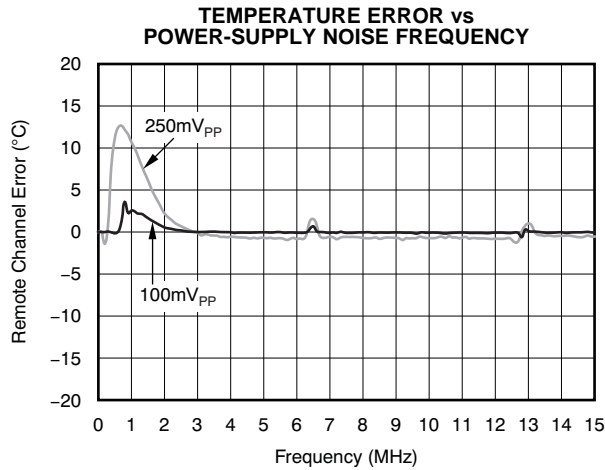


Figure 4.

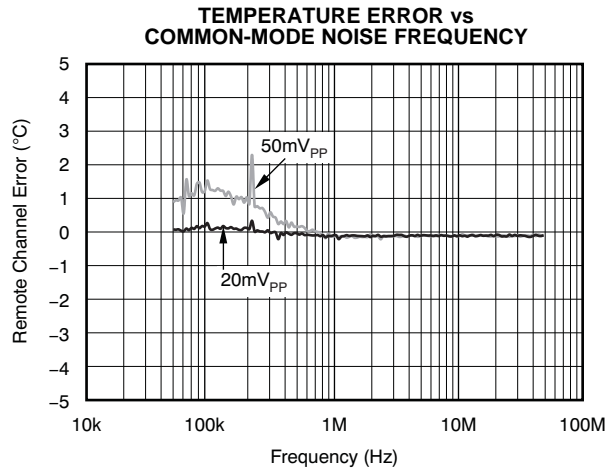


Figure 5.

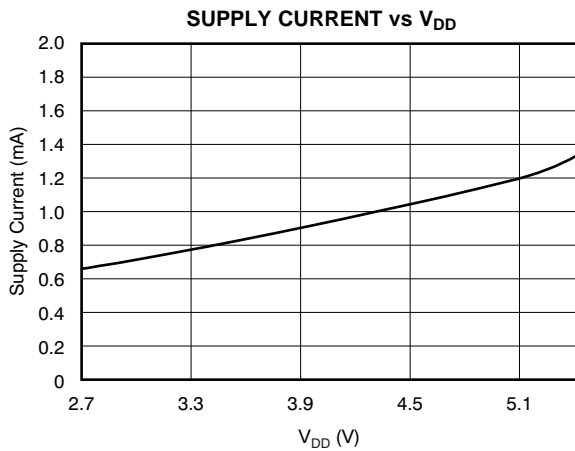


Figure 6.

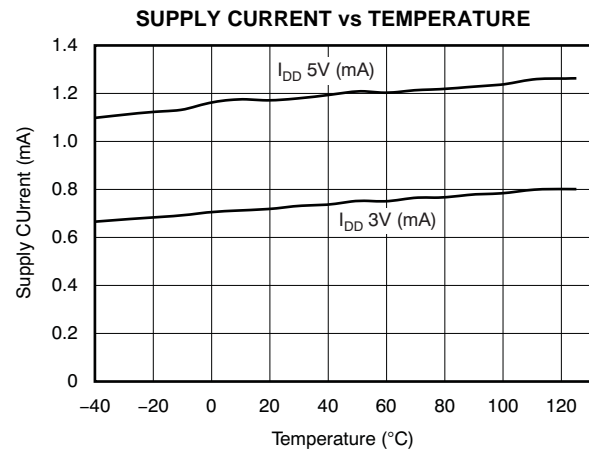
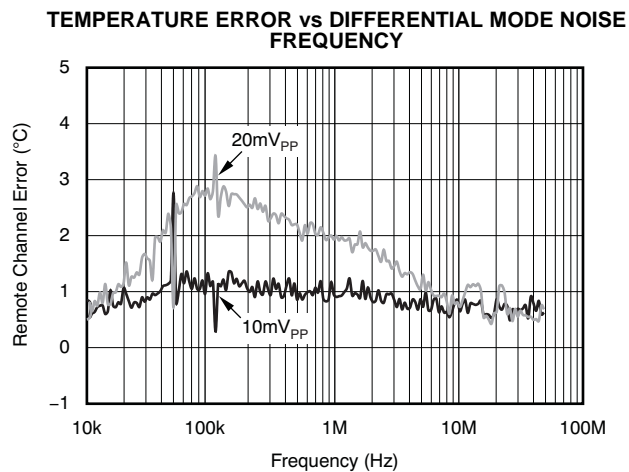


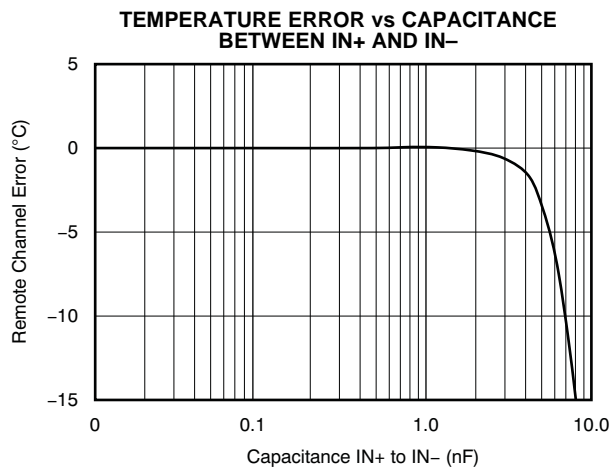
Figure 7.

**TYPICAL CHARACTERISTICS (continued)**

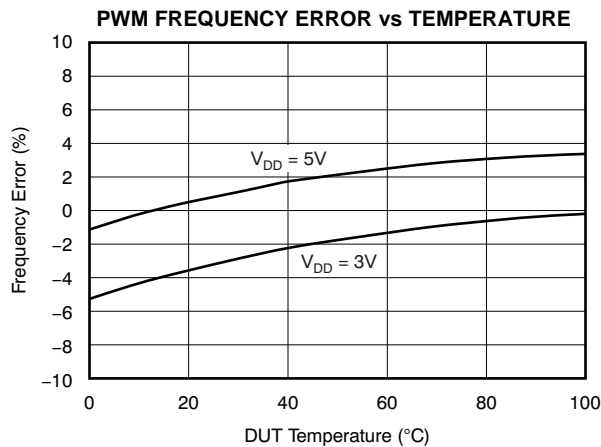
At  $T_A = +25^\circ\text{C}$  and  $V_{DD} = 5\text{V}$ , unless otherwise noted.



**Figure 8.**



**Figure 9.**



**Figure 10.**

## SMBUS INTERFACE

The AMC6821 communicates through the serial system management bus (SMBus). The AMC6821 is connected to this bus as a slave device, under the control of a bus master. The AMC6821 has a 7-bit serial bus address that is programmable by properly connecting the address pins A0 and A1. Table 2 shows the selection of the AMC6821 slave address. The address selection pins should be either tied directly to V<sub>DD</sub> or GND. For the NC condition, they should be unconnected with minimum trace capacitance. Note that the address is checked only on a reset or power-up condition.

**Table 2. AMC6821 Address Select<sup>(1)</sup>**

| A0              | A1              | ADDRESS |
|-----------------|-----------------|---------|
| GND             | GND             | 0011000 |
| NC              | GND             | 0011010 |
| V <sub>DD</sub> | GND             | 0011001 |
| GND             | NC              | 0101100 |
| NC              | NC              | 0101110 |
| V <sub>DD</sub> | NC              | 0101101 |
| GND             | V <sub>DD</sub> | 1001100 |
| NC              | V <sub>DD</sub> | 1001110 |
| V <sub>DD</sub> | V <sub>DD</sub> | 1001101 |

(1) NC = No connection.

### Communication Protocols

The AMC6821 employs four standard SMBus protocols: the send byte, receive byte, write byte, and read byte. All other operations result in undefined results. Repeated start is not allowed during the read bit.

**Table 3. Send Byte**

| S | SLAVE ADDRESS               | WR | ACK | COMMAND                | ACK | P |
|---|-----------------------------|----|-----|------------------------|-----|---|
|   | 7-bit AMC6821 slave address |    |     | 8-bit register address |     |   |

S = start condition; P = stop condition; shaded = slave to master; unshaded = master to slave; WR = write (bit value of 0).

**Table 4. Receive Byte**

| S | SLAVE ADDRESS               | RD | ACK | DATA   | NACK | P |
|---|-----------------------------|----|-----|--|------|---|
|   | 7-bit AMC6821 slave address |    |     | 8-bit data from the register selected previously |      |   |

S = start condition; P = stop condition; shaded = slave to master; unshaded = master to slave; RD = read (bit value of 1); NACK = not acknowledged.

**Table 5. Write Byte**

| S | SLAVE ADDRESS               | WR | ACK | COMMAND                | ACK | DATA                           | ACK | P |
|---|-----------------------------|----|-----|------------------------|-----|--------------------------------|-----|---|
|   | 7-bit AMC6821 slave address |    |     | 8-bit register address |     | 8-bit data written to register |     |   |

S = start condition; P = stop condition; shaded = slave to master; unshaded = master to slave; WR = write (bit value of 0).



**Table 6. Write Multiple Bytes**

| S | SLAVE ADDRESS                           | WR | ACK | COMMAND  | ACK | DATA                                    | ACK | DATA                                      | ACK |
|---|---|----|-----|--|-----|---|-----|---|-----|
|   | 7-bit AMC6821 slave address             |    |     | 8-bit register address of first register to be written |     | First 8-bit data written first register |     | Second 8-bit data written second register |     |
|   | DATA                                    |    | ACK | ...  |     | DATA                                    |     | ACK                                       | P   |
|   | Third 8-bit data written third register |    |     |  |     | Last 8-bit data                         |     |   |     |

S = start condition; P = stop condition; shaded = slave to master; unshaded = master to slave; WR = write (bit value of 0).

The first register is the one to which the first data byte is written. The next register is the second register. If the bus master continues to transfer data into the AMC6821 after writing the last location, all data are ignored until the operation stops.

**Table 7. Read Byte**

| S | SLAVE ADDRESS               | WR | ACK | COMMAND                | ACK | Sr | SLAVE ADDRESS               | RD | ACK | DATA                     | NACK | P |
|---|-----------------------------|----|-----|------------------------|-----|----|-----------------------------|----|-----|--------------------------|------|---|
|   | 7-bit AMC6821 slave address |    |     | 8-bit register address |     |    | 7-bit AMC6821 slave address |    |     | 8-bit data from register |      |   |

S = start condition; P = stop condition; shaded = slave to master; unshaded = master to slave; WR = write (bit value of 0); RD = read (bit value of 1);

NACK = not acknowledged; Sr = repeated start condition.

**Table 8. Read Multiple Bytes**

| S | SLAVE ADDRESS                   | WR | ACK | COMMAND                              | ACK | Sr              | SLAVE ADDRESS               | RD   | ACK | DATA                           | ACK |
|---|---------------------------------|----|-----|--------------------------------------|-----|-----------------|-----------------------------|------|-----|--------------------------------|-----|
|   | 7-bit AMC6821 slave address     |    |     | Address of first register to be read |     |                 | 7-bit AMC6821 slave address |      |     | 8-bit data from first register |     |
|   | DATA                            |    | ACK | ...                                  |     | DATA            |                             | NACK | P   |                                |     |
|   | 8-bit data from second register |    |     |                                      |     | Last 8-bit data |                             |      |     |                                |     |

S = start condition; P = stop condition; shaded = slave to master; unshaded = master to slave; WR = write (bit value of 0); RD = read (bit value of 1);

NACK = not acknowledged; Sr = repeated start condition.

The first register is the one from which the first data byte is transmitted. The next register is the second register. If the bus master continues clocking data out after reading the last location (0x3F), the value 0x00 is sent out until the operation stops.

The AMC6821 is entirely controlled by the registers. All registers are 8-bit. The AMC6821 has an address pointer register; the value of the address pointer register determines the register to be written to or read from. To write data to the device register or read data from it, the address pointer register must be set properly. Data can then be written into or read from that register. The command issued by the bus master always contains the initial value of the address pointer register. The command is constructed as shown in [Table 9](#).

**Table 9. Command Format<sup>(1)</sup>**

| Bit 7 (MSB) | Bit 6 | Bit 5 | Bit 4 | Bit 3 | Bit 2 | Bit 1 | Bit 0 (LSB) |
|-------------|-------|-------|-------|-------|-------|-------|-------------|
| 0           | 0     | ADDR5 | ADDR4 | ADDR3 | ADDR2 | ADDR1 | ADDR0       |

(1) ADDR[5:0] is the address of the register that is accessed first. The register address is stored in the address pointer register.

In the send byte operation, the bus master writes the address of a specified device register into the address pointer register.

In the receive byte operation, the bus master reads the data back from the device register addressed by the address pointer register.

In the write byte operation, the bus master sets the address pointer register to the address of a specified device register, then writes 8-bit data into it. In the read byte operation, the SMBus master sets the address pointer register to the address of a specified device register first, then reads 8-bit data back from it.

In the write multiple bytes operation, the address pointer of the AMC6821 increments by '1' after the data are written, until it reaches the last register address (0x3F). If the host continues to transfer data into the AMC6821 after writing the last location, all data are ignored until the operation stops. When reading multiple bytes, the address pointer of the AMC6821 increments by '1' after transmitting the data until it reaches the last register address (0x3F). If the host continues clocking data out after reading the last location, the value 0x00 is sent out until the operation stops.

### SMBus ALERT RESPONSE ADDRESS (ARA)

The alert response address is a feature of SMBus devices that allows an interrupting device to identify itself to the host when multiple devices issue simultaneous interrupts. The  $\overline{\text{SMBALERT}}$  pin is an open-drain interrupt output pin. When the AMC6821 issues an interrupt request, the following procedure occurs:

1.  $\overline{\text{SMBALERT}}$  is pulled low.
2. The bus master sends an alert response address or ARA (ARA = 0001100), and initiates a read operation, as shown in [Table 10](#).
3. The AMC6821 responds to the ARA by sending its slave address back. The 7-bit device slave address is placed in the seven most significant bits of the byte; the last bit is '0'.
4. The master receives the AMC6821 slave address and starts the interrupt service.
5. If more than one device pulls the SMBus low, the highest priority (lowest slave address) device wins the communication right via standard arbitration during the slave address transfer (refer to the [SMBus specification version 2.0](#) for details).
6. To service the interrupt request of the AMC6821, the master must read the status register. Most interrupt source bits in the status registers are cleared after reading the status register, and are reasserted if the error condition still exists on the next monitoring cycle. The  $\overline{\text{SMBALERT}}$  only clears if the interrupt has been resolved.

**Table 10. ARA Operation**

| S | ALERT RESPONSE ADDRESS | RD | ACK | DATA  | NACK | P |
|---|------------------------|----|-----|---|------|---|
|   | 0001100                |    |     | 7-bit MSB: slave address of AMC6821 LSB = 0 |      |   |

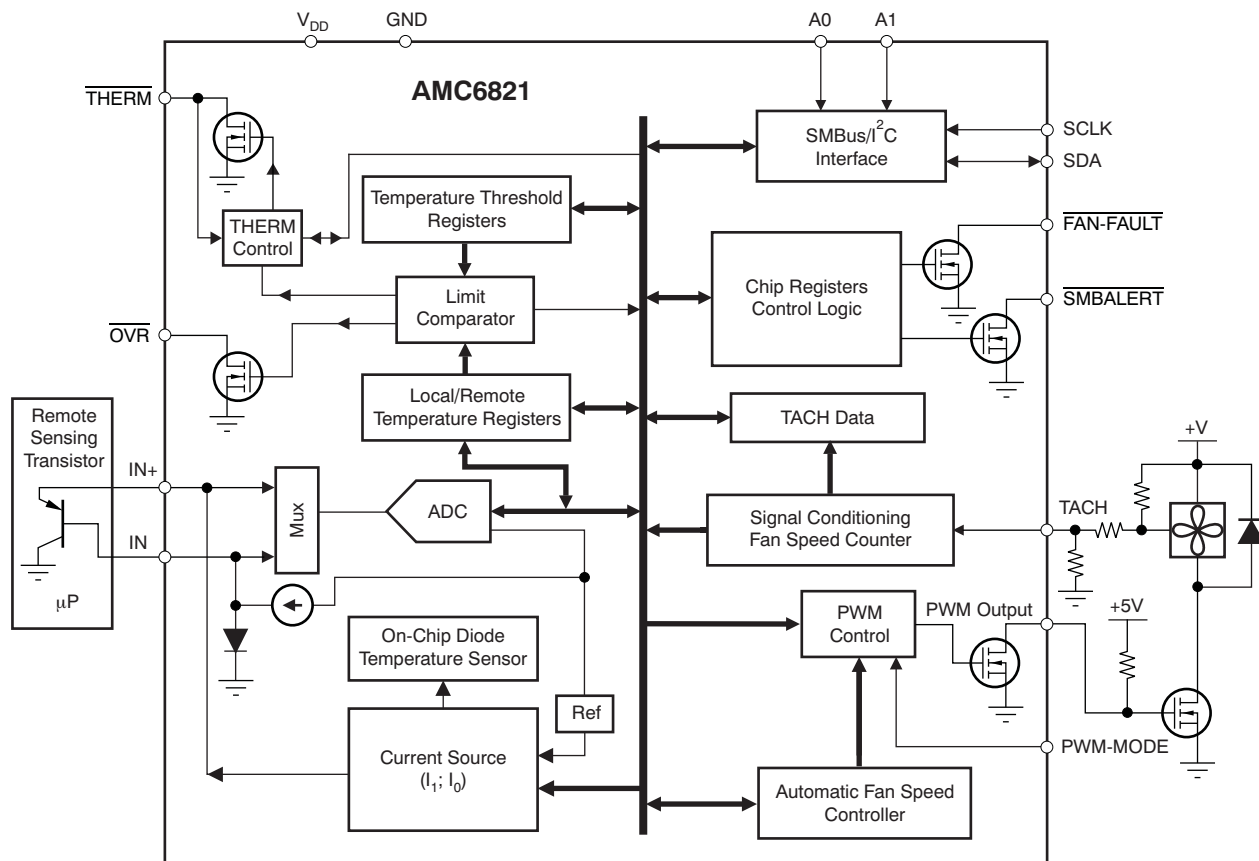
S = start condition; P = stop condition; shaded = slave to master; unshaded = master to slave; RD = read (bit value of 1); NACK = not acknowledged.

### POWER-ON RESET AND START OPERATION

After power-on, all registers are set to the power-on default values. The device does not perform any monitoring functions until the START bit of [Configuration Register 1](#) is set ('1'). No detections are executed until the first monitoring cycle is completed, and all measurement data registers (such as remote and local temp-data registers and the TACH data register) are updated with the new measured value. No interrupt signals are generated until the first cycle of monitoring and detection is completed. This process avoids any false alarms caused by the power-on default setting.

After power-on, the fan spin-up process is performed. At the end of spin-up, the duty cycle of the PWM driver is adjusted to 33%. (Refer to the [Fan Spin-Up](#) section for details). Device status after software reset is similar to power-on reset.

FUNCTIONAL BLOCK DIAGRAM



## APPLICATION INFORMATION

### ADC CONVERTER

The AMC6821 has an 11-bit, on-chip analog-to-digital converter (ADC), as shown in Figure 11. This ADC converts the analog input into digital format. The analog input is passed through front-end signal conditioning circuitry to remove the noise. The resulting signal is then converted by the ADC. To further reduce the effects of noise, digital filtering is performed by averaging the results of 32 measurement cycles. After digital filtering, the newest result is stored in the temperature data register (low byte and high byte) in two's complement format. The ADC stops when the START bit of Configuration Register 1 is cleared ('0') and runs when START = 1.

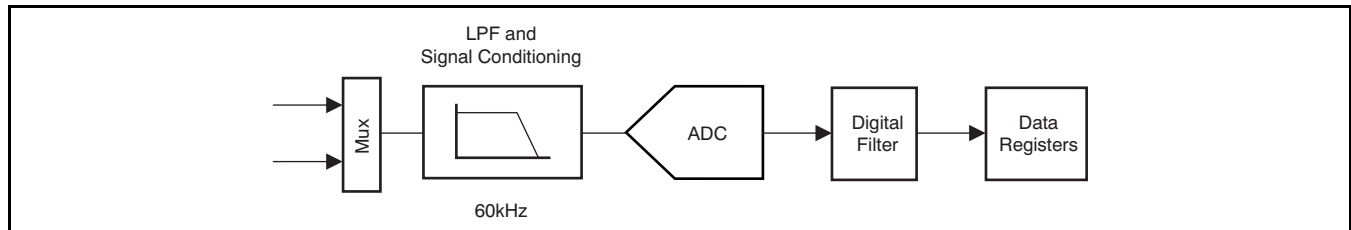


Figure 11. On-Chip Analog-to-Digital Converter

### TEMPERATURE SENSOR

The AMC6821 has an integrated temperature sensor (shown in Figure 12) to measure the ambient temperature, and one remote diode sensor (such as a Pentium thermal diode) input to measure external (CPU) temperature. The measurement relies on the characteristics of a semiconductor junction operation at a fixed current level. The forward voltage of the diode ( $V_{BE}$ ) depends on the current through it and the ambient temperature. The change in  $V_{BE}$  when the diode is operated at two different currents,  $I_1$  and  $I_2$ , is shown in Equation 1:

$$\Delta V_{BE} = \frac{KT}{q} \times \ln(N) \quad (1)$$

Where:

- k** is Boltzmann's constant,
- q** is the charge of the carrier,
- T** is the absolute temperature in degrees Kelvin, and
- N** is the ratio of the two currents.

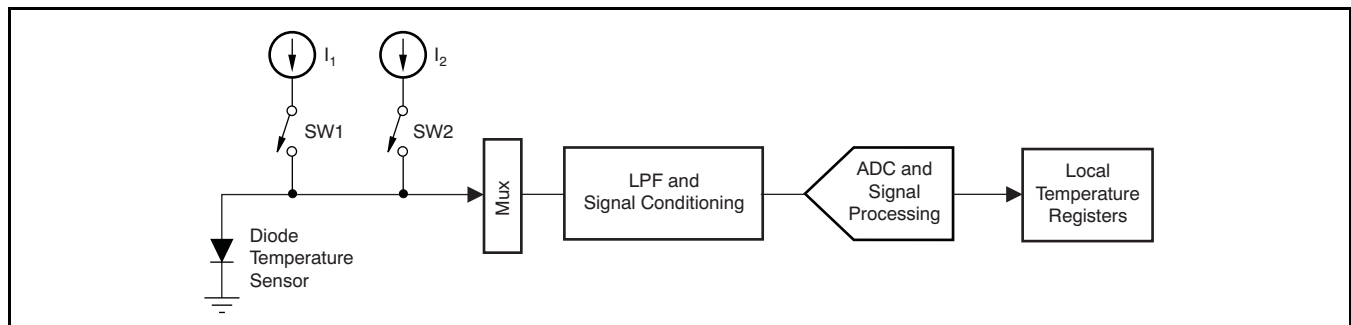
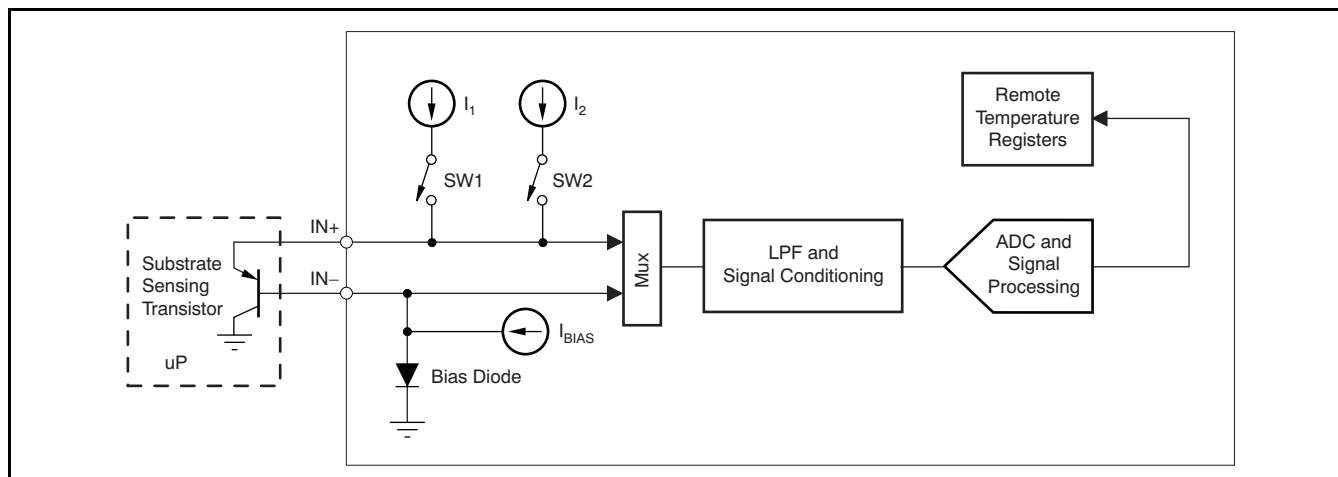


Figure 12. Integrated Local Temperature Sensor

The remote sensing transistor can be a substrate transistor built within the microprocessor (as in a Pentium-IV), or a discrete small-signal type transistor. This architecture is shown in Figure 13. The internal bias diode biases the IN– terminal above ground to prevent the ground noise from interfering with the measurement. An external capacitor (up to 1000pF) may be placed between IN+ and IN– to further reduce the noise from interfering.



**Figure 13. Remote Temperature Sensor**

The analog sensing signal is pre-processed by a low-pass filter and signal conditioning circuitry, then digitized by the ADC. The resulting digital signal is further processed by the digital filter and processing unit. The final result is stored in the local temperature data register and remote temperature data register, respectively. The eight MSBs are stored in the corresponding Temp-DATA-HByte register, and the three LSBs are stored in the Temp-DATA-LByte register. Refer to the [Temperature Data Registers](#) section for details.

The format of the final result is in two's complement; see Table 11. It should be noted that the device measures the temperature from  $-40^{\circ}\text{C}$  to  $+125^{\circ}\text{C}$ , although the code represents temperature from  $-128^{\circ}\text{C}$  to  $+127^{\circ}\text{C}$ .

### Series Resistance Cancellation

Parasitic resistance (seen in series with the remote diode) to the IN+ and IN– inputs to the AMC6821 is caused by a variety of factors, including printed circuit board (PCB) trace resistance and trace length. This series resistance appears as a temperature offset in the remote sensor temperature measurement, and causes more than  $0.45^{\circ}\text{C}$  error per ohm. The AMC6821 is implemented with a TI-patented technology to automatically cancel out the effect of this series resistance, giving a more accurate result without the need for user characterization of this resistance. With this technology, the AMC6821 is able to reduce the effects of series resistance to typically less than  $0.0025^{\circ}\text{C}$  per ohm.

### Reading Temperature Data

It is important to note that temperature can be read by an 8-bit value (with  $1^{\circ}\text{C}$  of resolution) from the Temp-DATA-HByte register, or as an 11-bit value (with  $0.125^{\circ}\text{C}$  of resolution) from the Temp-DATA-LByte and Temp-DATA-HByte registers. If only  $1^{\circ}\text{C}$  of resolution is required, the temperature readings can be read back at any time and in no particular order. If reading the 11-bit measurement is required, the process involves a two-register read for each measurement. To get an 11-bit result of the remote sensor, the controller must read the Temp-DATA-LByte register (0x06) first, and then the Remote-Temp-DATA-HByte register (0x0B) to complete the reading. However, to get bit 11 of the local sensor only, or to get both local and remote sensors, the controller must read Temp-DATA-LByte first, Local-Temp-DATA-HByte (0x0A) second, and Remote-Temp-DATA-HByte third. This method causes all associated temperature data registers to be frozen until the Remote-Temp-DATA-HByte register has been read. This process also prevents the high byte data from being updated while the three LSBs are being read, and vice-versa.

**Table 11. Temperature Data Format**

| TEMPERATURE (°C) | BINARY DIGITAL CODE (11 bits) |
|------------------|-------------------------------|
| +127             | 01111111000                   |
| +125             | 01111101000                   |
| +100             | 01100100000                   |
| +75              | 01001011000                   |
| +50              | 00110010000                   |
| +25              | 00011001000                   |
| +10              | 00001010000                   |
| +1               | 00000001000                   |
| 0                | 00000000000                   |
| -1               | 11111111000                   |
| -25              | 11100111000                   |
| -50              | 11001110000                   |
| -75              | 10110101000                   |
| -100             | 10011100000                   |
| -125             | 10000011000                   |
| -128             | 10000000000                   |

### Temperature Out-of-Range Detection

The AMC6821 has the following temperature limitation detections:

1. **High and Low Temperature Limit:** The value of the High-Temp-Limit and Low-Temp-Limit registers specify the remote or local temperature ranges of normal operation. When the local or remote temperatures are equal to or above the value of the corresponding High-Temp-Limit register, the LTH or RTH bits in the status register are set ('1'). Likewise, when the local or remote temperatures are less than or equal to the corresponding Low-Temp-Limit register, the LTL or RTL bits in the status register are set ('1').

When the local temperature is out-of-range ( $LTH = 1$  or  $LTL = 1$ ), the local temperature out-of-range event occurs. The LTO bit in the status register is set ('1'), and the LTO interrupt is generated via the  $\overline{SMBALERT}$  pin if it is enabled (the LTOIE bit of [Configuration Register 2](#) is set). Similarly, when the remote temperature is out-of range ( $RTH = 1$  or  $RTL = 1$ ), the remote temperature out-of-range event occurs. The RTO bit in the status register is set ('1'), and the RTO interrupt is generated via the  $\overline{SMBALERT}$  pin if it is enabled (that is, the RTOIE bit of [Configuration Register 2](#) is set).

2. **Critical Limit:** Critical temperature limit is the highest allowed of remote or local temperature. When the temperature is greater than or equal to the corresponding critical temperature, the LTCT or RTCT bit of the status register is set ('1'), the output of the  $\overline{OVR}$  pin goes low, and a non-maskable interrupt is generated through the  $\overline{SMBALERT}$  pin (low).
3. **Passive Cooling Temperature (PSV) Limit:** This limit defines the passive cooling threshold. In the auto remote-temperature-fan control mode, the system enters a passive cooling condition when the remote temperature is equal to or below this limit, and the fan stops. In the maximum fast speed calculated control mode, the fan stops and the system enters a passive cooling condition when both the remote and local temperatures are equal to or below this limit. In passive cooling, the LPSV bit of [Status Register 2](#) (0x03) is set ('1'), and a PSV interrupt is generated on the  $\overline{SMBALERT}$  pin if enabled ( $PSVIE = 1$ ). Note that reading the Status Register clears the LPSV bit. After reading, if the active control temperature remains equal to or below the PSV temperature, this bit reasserts on next monitoring cycle.

4. **THERM Limit:** This limit is an additional *fail-safe* threshold. When the local or remote temperature is equal to or above this limit, the corresponding L-THERM or R-THERM bit is set ('1'), and the  $\overline{\text{THERM}}$  pin is asserted low, which can be used to throttle the CPU clock. Furthermore, the THERM interrupt is generated on the  $\overline{\text{SMBALERT}}$  pin if enabled (THERMOVIE = 1). Reading [Status Register 1](#) clears the R-THERM and L-THERM bits. Once cleared, these bits are not reasserted until the temperature falls 5°C below the THERM limit, even if the THERM condition persists. If the THERM-FAN-EN bit of [Configuration Register 3](#) is set ('1'), L-THERM = 1 or R-THERM = 1 forces the fan to run at full speed. When THERM-FAN-EN = 0, the status of the L-THERM and R-THERM bits do not affect the fan speed directly. Note that the THERM limit can be lower or higher than other temperature limits. For example, if the THERM limit is lower than the PSV temperature limit, then the CPU clock can be throttled while the cooling fan is off.

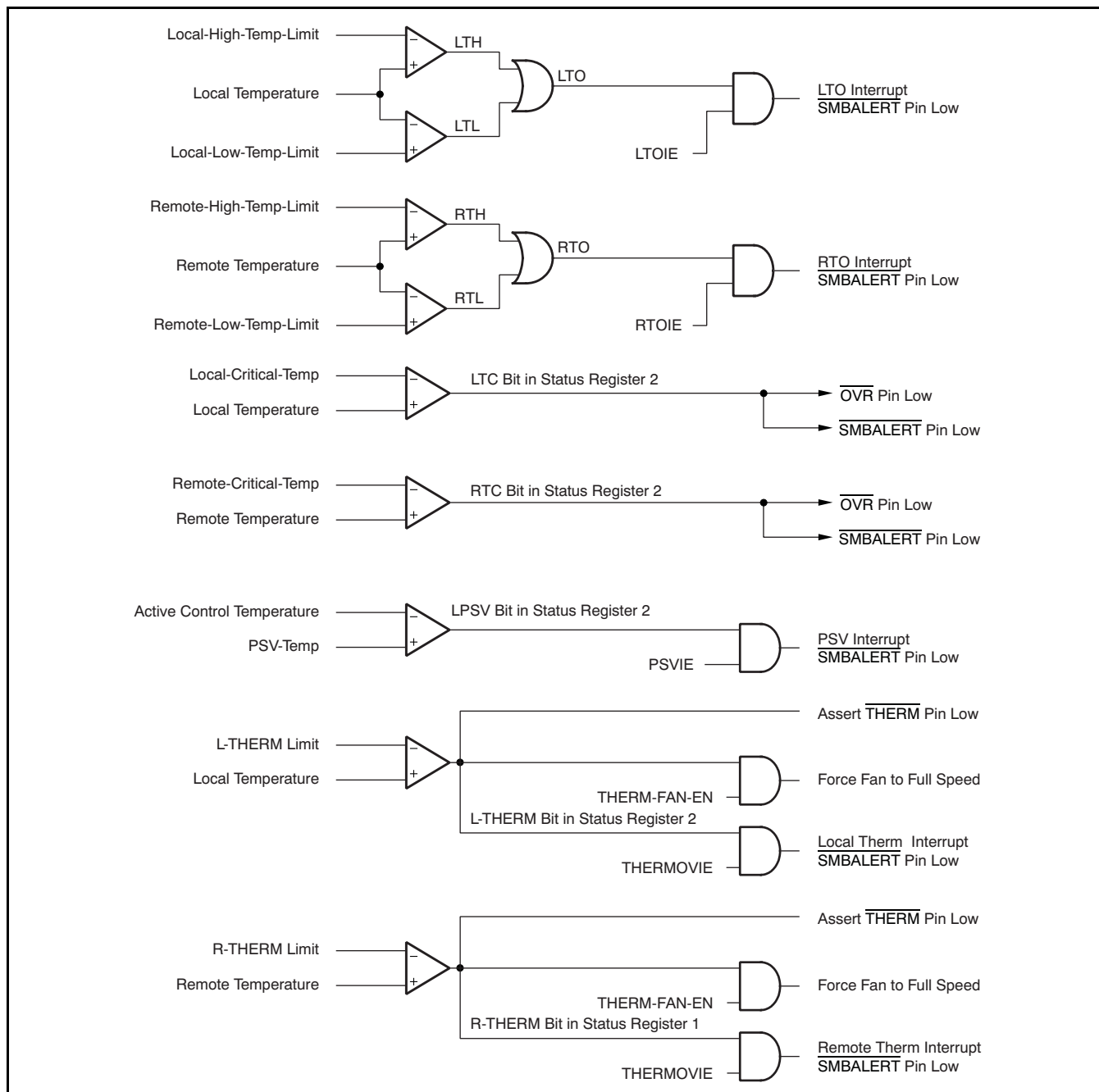


Figure 14. Temperature Out-of-Range Detection

## Remote Temperature Sensor Failure Detection

The remote temperature sensor failure detection determines whether the remote sensor diode has an open-circuit condition, a short-circuit to ground, or a short-circuit (IN+) to (IN–) condition. This fault detection is based on the analog input voltage and is not checked until the first monitoring cycle is completed after power-on.

Reading the fault sensor returns a value of  $-128^{\circ}\text{C}$  (0x80). Since the power-on default value of the temperature data registers is 0x80 ( $-128^{\circ}\text{C}$ ), a reading of 0x80 from the temperature data register immediately after power-on does not indicate a diode fault condition. The remote temperature sensor failure is only checked after the first monitoring cycle has been completed after power-on or reset.

When a remote sensor failure occurs, the remote sensor failure bit (RTF in the Status Register) is set to '1', the **OVR** pin is forced low, and if the interrupt is enabled (RTFIE = 1), the RTF interrupt is generated through the **SMBALERT** pin. Once this interrupt is generated, the RTF bit remains '1' and the **OVR** pin stays low until a power-on reset or software reset is issued, whether or not the failure condition persists.

## PWM Output

The PWM-Out pin is an open-drain output. When PWM-EN of [Configuration Register 2](#) is cleared ('0'), the PWM-Out pin is disabled and goes into a high-impedance status. When PWM-EN is set ('1'), the PWM-Out pin is enabled to drive the fan. When enabled, the status of the PWM-Out pin is determined by the PWM duty cycle and phase bits (PWMINV of [Configuration Register 1](#)). When PWMINV = 0 (default), the PWM-Out pin goes low for 100% duty cycle (suitable for driving the fan using a PMOS FET). Setting PWMINV to '1' makes the PWM-Out pin go high (with an external pull-up resistor) for a 100% duty cycle. This setting is used to drive an NMOS-power FET.

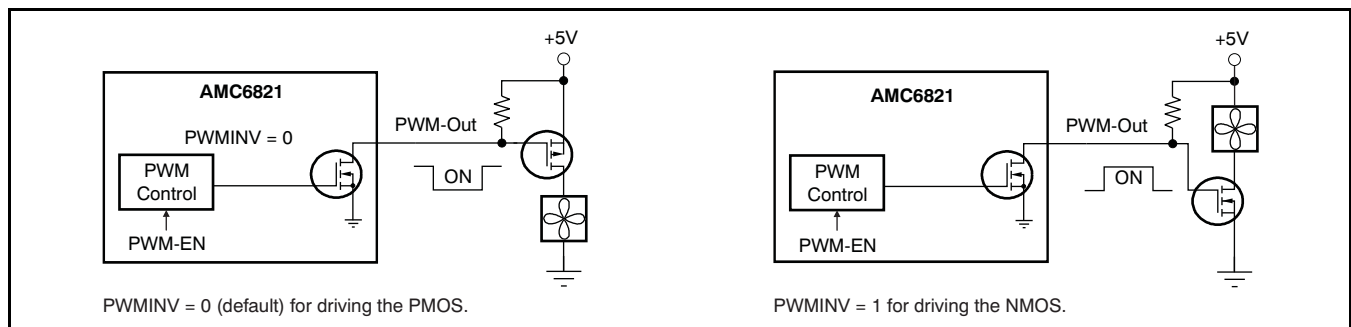


Figure 15. PWM Output

## PWM WAVEFORM SETTING

PWM frequency and duty cycle are programmable. The value of the [DCY Register](#) defines the duty cycle: it has 8-bit resolution, 1LSB corresponding to 1/255 (0.392%). Writing 0x00 sets the duty cycle to 0%; writing 0xFF sets the duty cycle to 100%.

PWM frequency has two ranges: the high range is from 1kHz to 40kHz, and the low range is from 10Hz to 94Hz. The PWM-MODE pin status determines which range is selected. When the PWM-MODE pin is tied to ground, the high range is selected. Otherwise, the low range is selected. Bits [PWM2:PWM0] in the [Fan Characteristics Register](#) define the frequency; see [Table 12](#). The resolution of the PWM waveform period is  $0.312\mu\text{s}$ , corresponding to a 3.2MHz clock. The default value after power-on is 30Hz when the low range is selected, or 25kHz when the high range is selected.

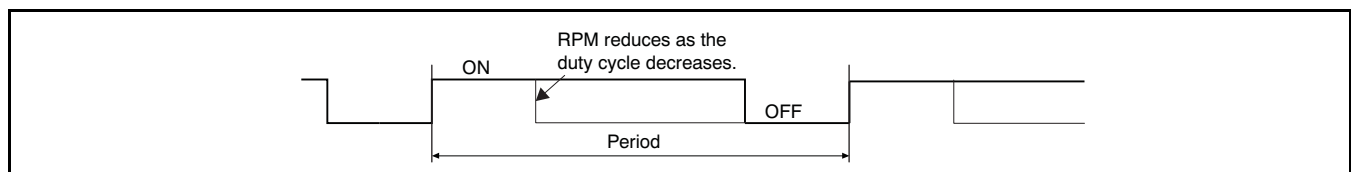


Figure 16. PWM Waveform (PWMINV = 1)



**Table 12. PWM Frequency**

| PWM2   | PWM1 | PWM0 | PWM FREQUENCY   |
|--|------|------|-----------------|
| <b>When the PWM-MODE Pin is Floating or Tied to V<sub>DD</sub></b> |      |      |                 |
| 0  | 0    | 0    | 10Hz            |
| 0  | 0    | 1    | 15Hz            |
| 0  | 1    | 0    | 23Hz            |
| 0  | 1    | 1    | 30Hz (default)  |
| 1  | 0    | 0    | 38Hz            |
| 1  | 0    | 1    | 47Hz            |
| 1  | 1    | 0    | 62Hz            |
| 1  | 1    | 1    | 94Hz            |
| <b>When the PWM-MODE Pin is Tied to GND</b>                        |      |      |                 |
| 0  | 0    | 0    | 1kHz            |
| 0  | 0    | 1    | 10kHz           |
| 0  | 1    | 0    | 20kHz           |
| 0  | 1    | 1    | 25kHz (default) |
| 1  | 0    | 0    | 30kHz           |
| 1  | 0    | 1    | 40kHz           |
| 1  | 1    | 0    | 40kHz           |
| 1  | 1    | 1    | 40kHz           |

## FAN SPEED MEASUREMENT

The AMC6821 monitors the fan speed (RPM) via the TACH pin, as illustrated in [Figure 17](#). The TACH-EN bit of [Configuration Register 2](#) (bit 2, 0x01) enables the fan speed measurement. When TACH-EN is cleared ('0'), the measurement is disabled. The measurement is enabled when the TACH-EN bit is set to '1'. This section describes the device behavior when TACH-EN is set ('1').

The on-chip fan-speed counter does not count the fan tach output pulses directly because of the low RPM of the fan. Instead, the period of the fan revolution is measured by gating an on-chip clock (100kHz). The result is stored in the [TACH-DATA Register](#) that contains two bytes (16 bits total). RPM monitoring is disabled when the START bit of [Configuration Register 1](#) or the TACH-EN bit of [Configuration Register 2](#) is cleared ('0'), and is enabled when START = 1 and TACH-EN = 1.

If the TACH-MODE bit is cleared, RPM monitoring stops and the TACH-DATA register is not updated when the duty cycle is less than 7% for the software duty cycle mode and auto-temperature-fan control modes. In software-RPM mode, RPM monitoring is always performed and updated after each monitoring. If the TACH mode = '1' the RPM monitoring is always performed, and the TACH data are always updated after each monitoring.

### TACH-DATA Register

Two fan tach pulse periods (PSPR = 0) or four tach pulse periods (PSPR = 1) are measured and the result is stored in the **TACH-DATA Register**, as shown in **Figure 17**. Counting stops if the counter is over-range; the measurement cycle repeats until monitoring is disabled, and the fan speed (RPM) can be calculated as shown in **Equation 2**:

$$RPM = \frac{(100,000 \times 60)}{(\text{Value of TACH-DATA Register})} \tag{2}$$

### Reading the TACH Data Register

To read the fan speed, both TACH-DATA-LByte and TACH-DATA-HByte must be read. TACH-DATA-LByte must be read first. This reading causes TACH-DATA-HByte to be frozen until both the high and low byte registers have been read from, preventing TACH reading errors.

### RPM Measurement Rate

The TACH-FAST bit of **Configuration Register 4** determines the rate. When TACH-FAST = 1, the **TACH-DATA Register** is updated every 250ms (fast monitoring). When TACH-FAST = 0 (default), the reading is updated every second (standard monitoring period).

### Select Number of Pulses/Revolution

The speed sensor of most common fans provides two or four TACH pulses per revolution. The PSPR bit of **Configuration Register 4** specifies how many pulses per revolution are generated. PSPR = 1 indicates four pulses/revolution and PSPR = 0 (default) indicates two pulses/revolution.

### TACH Mode Selection

The TACH-MODE bit of **Configuration Register 2** specifies the TACH pulse output mode of the fan. Some fans (such as three- and two-wire) are powered directly by the PWM, and must be *PWM-On* to provide a TACH pulse output. When the PWM-Out pin switches these fans ON/OFF directly, the PWM-Out must be kept ON to power the fan during the measurement. In this case, the TACH-MODE bit of **Configuration Register 2** must be cleared ('0'). When TACH-MODE = 0, the PWM-Out pin is kept ON during the critical tach edges of the measurement period. Clearing the TACH mode ('0') also enables the internal correction circuitry to correct the error caused by the extra duty cycle applied in the measurement period. The power-on default value of the PWM mode is '0'.

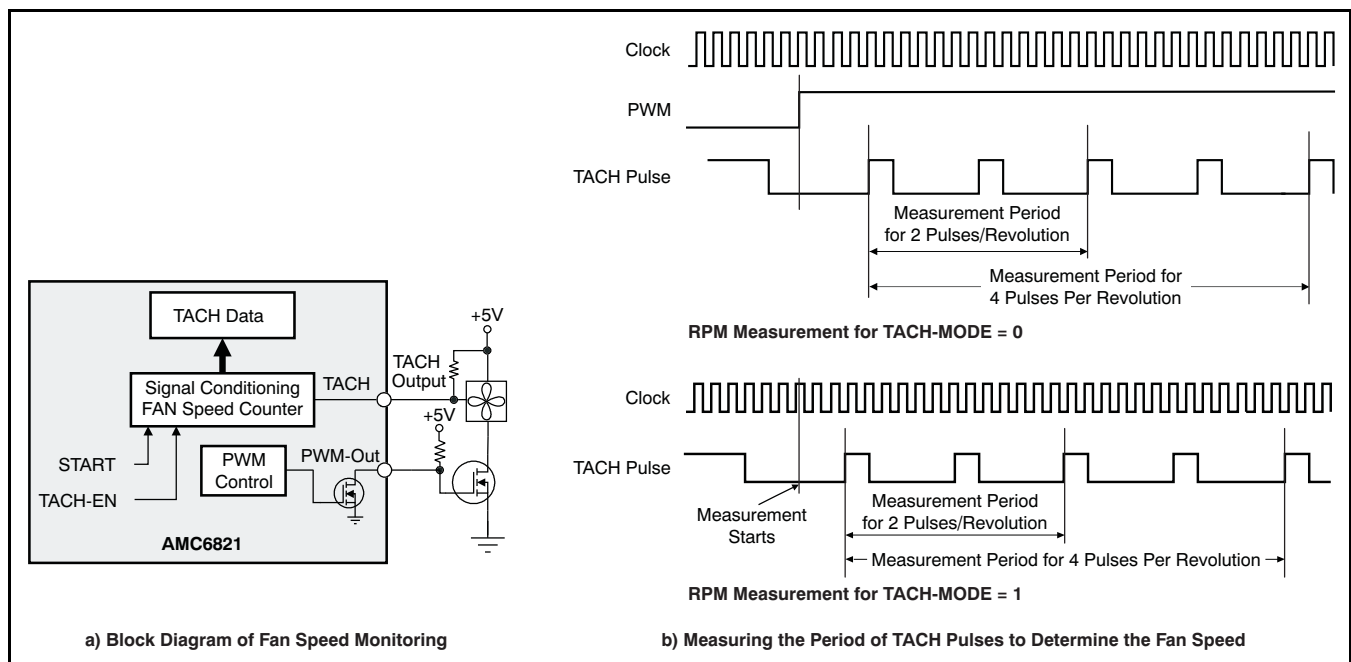


Figure 17. Fan Speed Measurement

Some fans (such as the JMC™ four-wire fan) are powered directly by dc power, instead of being powered by the PWM. In this case, the TACH mode must be set to '1'. When TACH-MODE = 1, the PWM-Out pin is not forced ON; instead, the status is controlled completely by the DCY register, just as in normal operation. Setting TACH-MODE to '1' also disables the internal correction circuit because no extra duty cycle is applied. Setting the TACH mode to '1' allows TACH reading continuously, regardless of the status of the PWM-Out pin.

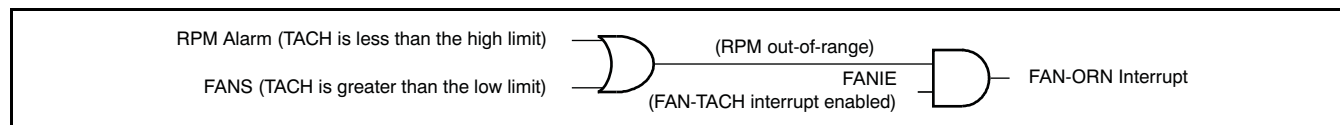
The selection of the TACH mode affects the RPM monitoring and control. When the TACH-MODE bit is equal to '1', the duty cycle of the PWM-Out pin is always determined by the calculated value; the TACH data are always updated at every RPM monitoring. However, when the TACH-MODE bit is equal to '0', in the Software-RPM Control mode the PWM-Out pin is forced to 30% if the calculated duty cycle is less than 30%; in other modes, the PWM-Out pin is forced to 0% and the TACH data are not updated if the calculated duty cycle is less than 7%.

### FAN RPM Out-of-Range Detection

The larger value of the TACH data corresponds to a slower speed. When the TACH data are larger than the TACH-Low-Limit, the fan runs at a speed below the predefined minimum RPM, and the FANS bit in [Status Register 1](#) is set to '1'. Note that no FANS (fan-slow) detections are made during spin-up. The FANS bit is cleared ('0') only after reading this register and reasserted ('1') in the next monitoring if a fan-slow is detected. After spin-up, FANS is set ('1') even if the TACH data are less than the TACH-Low-Limit until the register is read.

When the TACH data are less than the TACH-High-Limit, the fan runs at a speed above the predefined maximum RPM, and the RPM-ALARM bit in [Status Register 1](#) is set ('1'). Note that the RPM-ALARM bit is cleared when reading the register. Once cleared, this bit is not reasserted in the next monitoring cycle even if the condition persists. This bit may be reasserted only if the RPM drops below the allowed maximum speed.

When FANS = 1 or RPM-ALARM = 1, there is a fan-out-of-range interrupt and FAN-ORN is generated if the FANIE bit in [Configuration Register 1](#) is set ('1'). This interrupt makes the  $\overline{\text{SMBALERT}}$  pin go low.

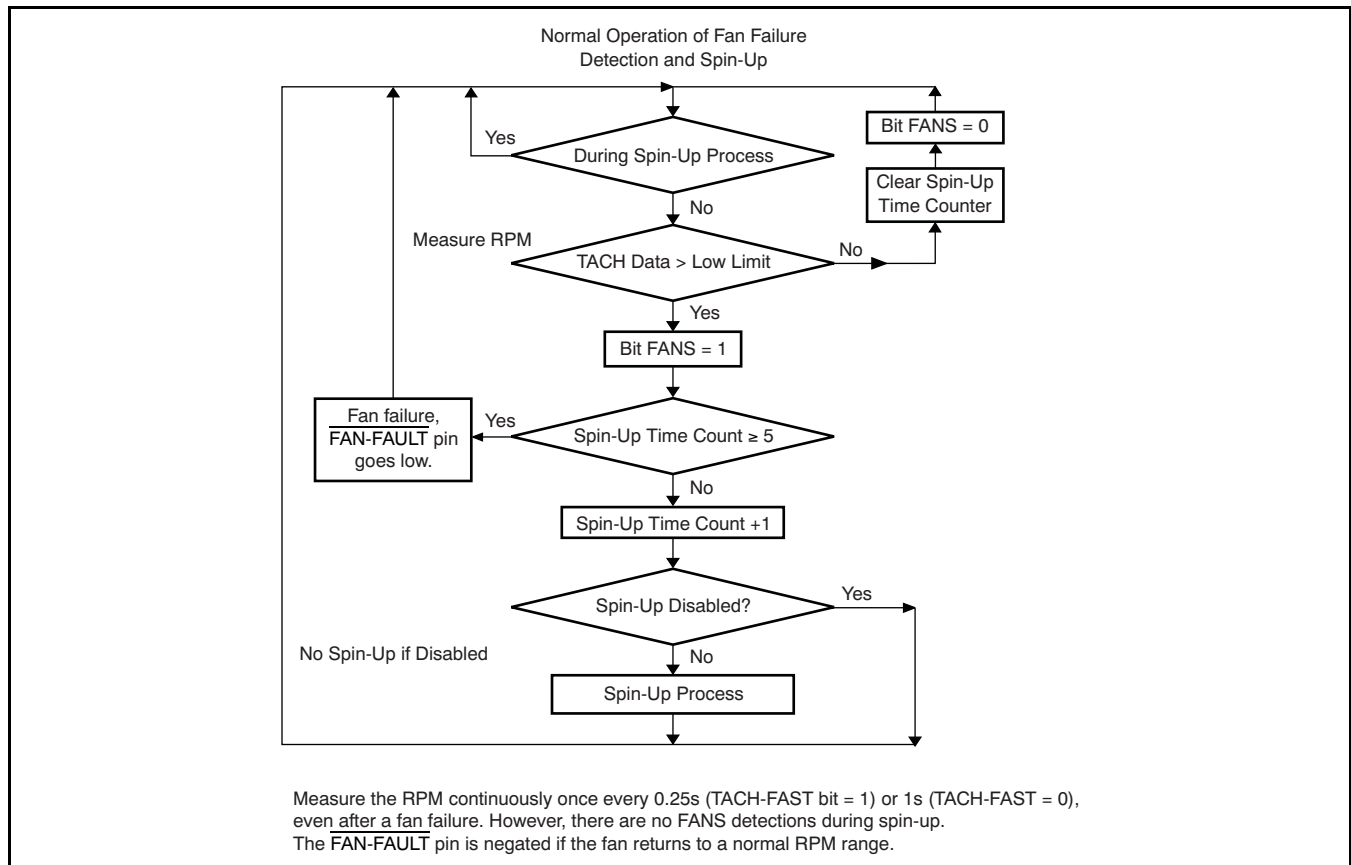


**Figure 18. RPM Out-of-Range Detection**

### FAN FAILURE DETECTION

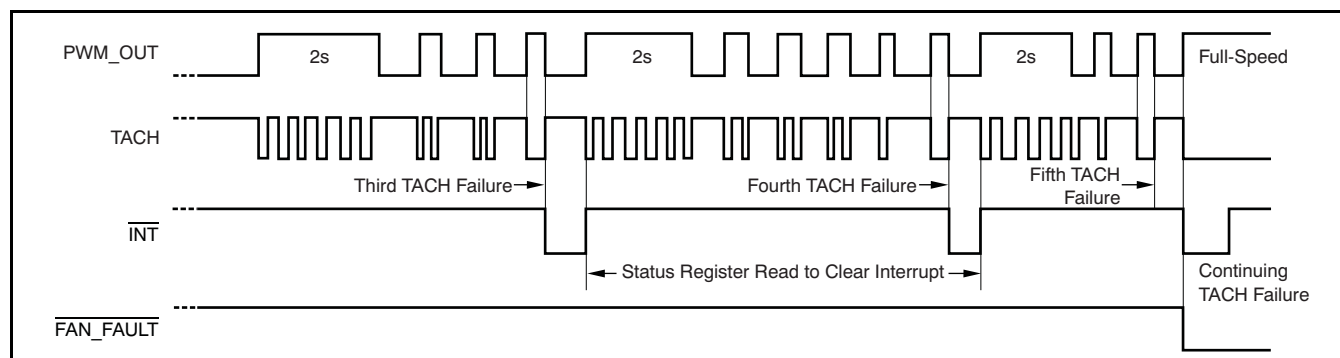
When the TACH data are larger than the TACH low limit, the fan runs at a speed below the predefined minimum RPM. When this condition occurs, a spin-up process is applied to start the fan again when spin-up is enabled. Bits [STIME2:STIME0] of the [Fan Characteristics Register](#) define this time period. [Figure 19](#) shows the function of the fan failure detection. Refer to the [Fan Spin-Up](#) section.

The fan speed is measured immediately after spin-up; the TACH-FAST bit of [Configuration Register 4](#) determines the monitoring rate. If the fan does not return to a normal range after five consecutive spin-ups, a FAN-FAILURE occurs; the  $\overline{\text{FAN-FAULT}}$  pin goes low when it is enabled (the FAN-FAULT-EN bit of [Configuration Register 1](#) is set), and the spin-up process continues. If the fan returns to a normal speed range before the fifth spin-up, the  $\overline{\text{FAN-FAULT}}$  pin does not go low even though the FANS bit is still set to '1'. No FANS (fan-slow) detections are performed during spin-up. After the  $\overline{\text{FAN-FAULT}}$  pin goes low, spin-up is performed indefinitely until the RPM reading returns to within normal range or the spin-up is disabled.



**Figure 19. Fan Failure Detection and Spin-Up**

The  $\overline{\text{SMBALERT}}$  pin continues to generate interrupts after the assertion of the  $\overline{\text{FAN-FAULT}}$  pin because the tach measurement continues even after a fan failure. Should the fan recover from the failure condition, the  $\overline{\text{FAN-FAULT}}$  pin signal is negated and the fan returns to normal operating speed. Figure 20 shows the operation of a FANS interrupt.

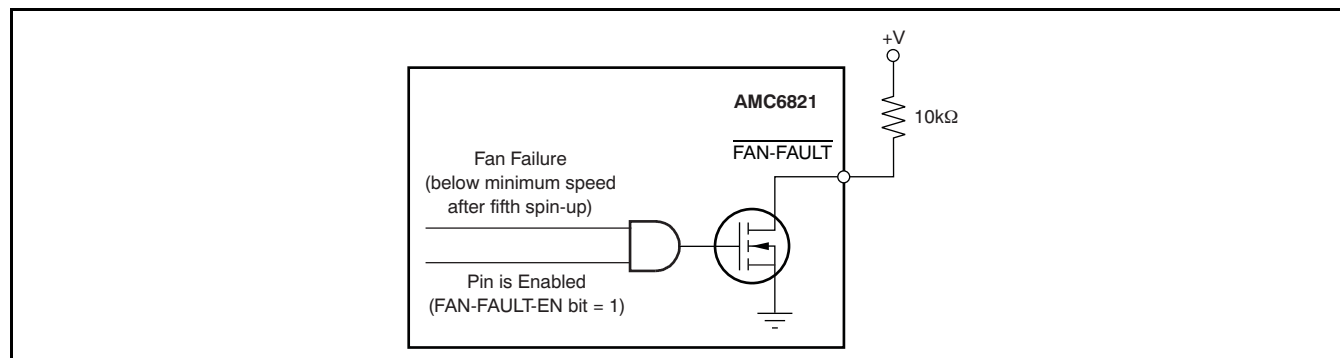


INT is a Fan-Slow (FANS) Interrupt Through the  $\overline{\text{SMBALERT}}$  Pin

**Figure 20. Operation of the  $\overline{\text{FAN-FAULT}}$  Pin with a Spin-Up Time = 2 Seconds**

### FAN-FAULT PIN

The  $\overline{\text{FAN-FAULT}}$  pin is an open-drain output pin, as shown in Figure 21. When the FAN-FAULT-EN bit of Configuration Register 1 is cleared ('0'), this pin is disabled and is always in a high-impedance status. When FAN-FAULT-EN = 1, the pin is enabled and the status indicates a fan-failure. The pin asserts low when a fan failure occurs.  $\overline{\text{FAN-FAULT}}$  is negated when the fan returns to normal speed.



**Figure 21.  $\overline{\text{FAN-FAULT}}$  Pin**

## FAN CONTROL

### $\overline{\text{THERM}}$ Pin and External Hardware Control

The  $\overline{\text{THERM}}$  pin is a bi-directional I/O, as shown in [Figure 22](#).

#### *THERM Pin As An Output*

As an open-drain output, the  $\overline{\text{THERM}}$  pin is the indicator of temperature over the THERM limit. When the remote temperature exceeds the Remote-THERM-Limit, or when the local temperature is greater than the Local-THERM-Limit, the  $\overline{\text{THERM}}$  pin goes low and remains low until the measured temperature falls 5°C below the exceeded THERM limit.

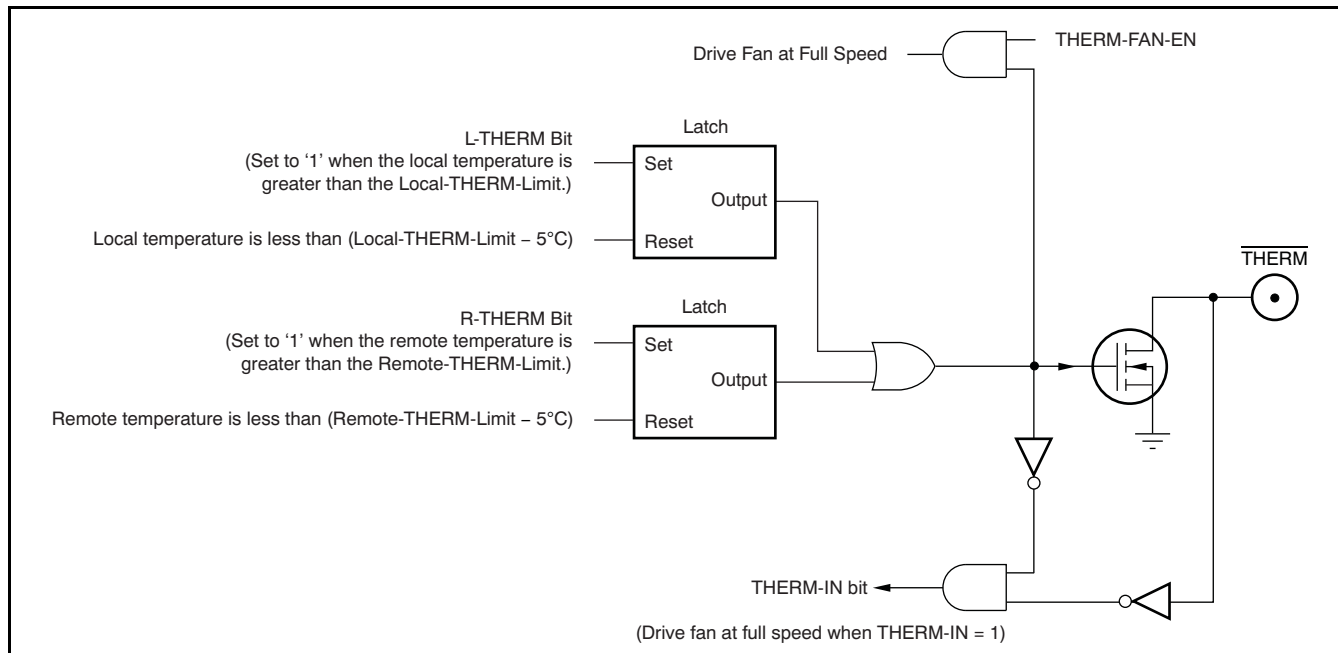
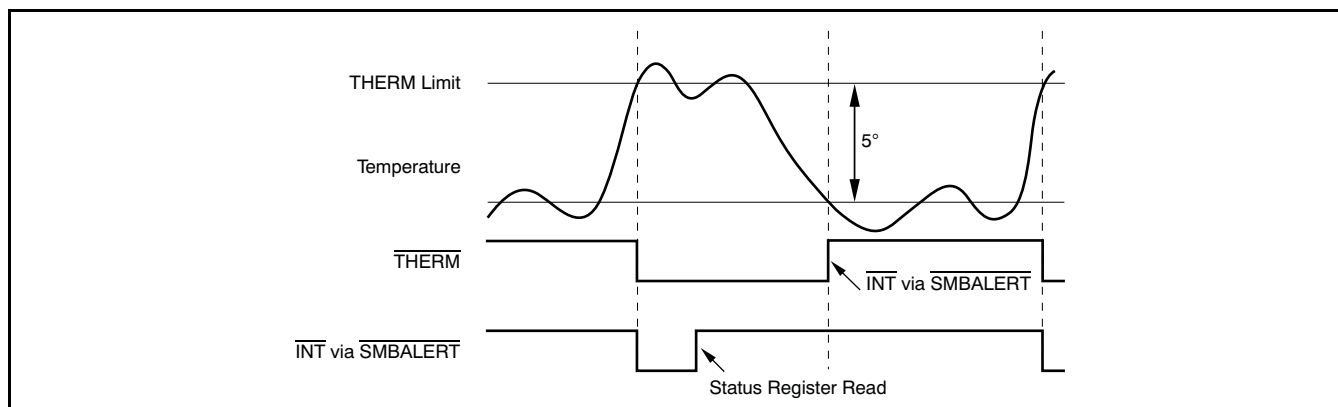


Figure 22. Structure of the  $\overline{\text{THERM}}$  Pin

When the THERM limit is exceeded, the corresponding status flag bit (R-THERM or L-THERM of [Status Register 1](#) or [Status Register 2](#)) is set to '1', and the THERM interrupt through the  $\overline{\text{SMBALERT}}$  pin is generated if it is enabled (THERMOVIE of bit [Configuration Register 1](#) is set to '1'). This interrupt forces the  $\overline{\text{SMBALERT}}$  pin low. Note that the  $\overline{\text{THERM}}$  pin is always forced to low when R-THERM = 1 or L-THERM = 1, no matter what the status of THERMOVIE is. Reading the status registers clears the flag bit (R-THERM and L-THERM). Clearing the flag bit makes the  $\overline{\text{SMBALERT}}$  pin go back to high, but does not negate the  $\overline{\text{THERM}}$  pin. It remains low until the temperature falls 5C below the exceeded THERM limit. After this bit is cleared, the active flag bit (R-THERM for remote temperature or L-THERM for local temperature) and the THERM interrupt are not re-armed until the temperature falls 5°C below the exceeded THERM limit. This procedure is shown in [Figure 23](#).



**Figure 23. Operation of the THERM Interrupt and the  $\overline{\text{THERM}}$  Pin**

When working as an output, the status of the  $\overline{\text{THERM}}$  pin affects the RPM fan. If the THERM-FAN-EN bit is set ('1'), the fan goes to full-speed (that is, the duty cycle is 100%) when the  $\overline{\text{THERM}}$  pin goes low. However, when THERM-FAN-EN = 0, the status of the  $\overline{\text{THERM}}$  pin does not affect the fan speed.

### ***$\overline{\text{THERM}}$ Pin As An Input***

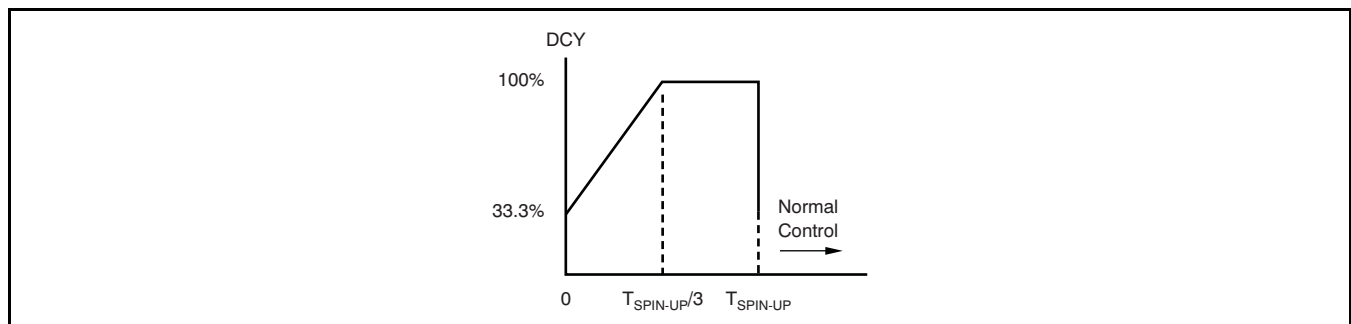
When this pin works as input, it is the input of the external hardware control signal; the THERM-IN bit of [Status Register 2](#) reflects the input. When the  $\overline{\text{THERM}}$  pin is pulled low as an input, THERM-IN is set ('1') and the fan is driven at full speed (that is, the duty cycle is 100%), no matter what THERM-FAN-EN is. The THERM-FAN-EN bit has no effect when the  $\overline{\text{THERM}}$  pin works as an input.

### Fan Spin-Up

The PWM duty cycle controls the cooling fan speed. To spin up a fan from a stopped state or under-speed status, the spin-up process is applied to overcome the fan inertia. During the first third of spin-up, the duty cycle of the PWM gradually increases from 33.3% to 100%, and then maintains at 100% through the rest of the process. At the end of the spin-up process, the duty cycle is adjusted to 33.3%. After starting, the fan speed is controlled normally. The spin-up process is shown in [Figure 24](#). The bits [STIME2:STIME0] (bits 2:0 of 0x20) define the spin-up time, from 0.2 seconds to 8 seconds, as shown in [Table 13](#). Fan speed is monitored immediately after the spin-up process.

Spin-up is disabled by setting the FSPD bit of the [Fan Characteristics Register](#) to '1'. If disabled, the spin-up process is not applied when the fan stops or an RPM is detected below the minimum speed. The TACH low limit register defines the minimum speed. After power-on or reset, the FSPD bit is cleared and the spin-up is always performed, regardless of the state of the FANS bit (bit 1 of 0x02).

Note that no FANS (fan-slow) detections are performed during spin-up. This bit is cleared ('0') only after reading it, and reasserts '1' in the next monitoring if a fan-slow condition is detected. After spin-up, FANS is set ('1') even if the TACH data are less than the TACH low limit until the flag is read.



**Figure 24. Spin-Up Process**

**Table 13. Spin-Up Time**

| STIME2 | STIME1 | STIME0 | SPIN-UP TIME (seconds) |
|--------|--------|--------|------------------------|
| 0      | 0      | 0      | 0.2                    |
| 0      | 0      | 1      | 0.4                    |
| 0      | 1      | 0      | 0.6                    |
| 0      | 1      | 1      | 0.8                    |
| 1      | 0      | 0      | 1                      |
| 1      | 0      | 1      | 2 (default)            |
| 1      | 1      | 0      | 4                      |
| 1      | 1      | 1      | 8                      |



## Normal Fan Speed Control

The fan speed is controlled by four different modes:

- software DCY control;
- software RPM control,
- auto remote temperature fan control;
- maximum fast-speed calculated control.

The Auto Temperature-Fan Control mode consists of auto remote temperature-fan control and maximum fast-speed calculated control. It is an intelligent closed-loop control. In this mode, the fan speed is controlled either by the remote temperature (Auto-Remote Temperature-Fan Control) or by maximum speed calculated for internal and remote temperature. This control mode optimizes fan speed for a given temperature to intelligently manage the system thermals/acoustics. The user writes the proper registers to define the linear feedback control algorithm parameters. After programming, the AMC6821 runs stand-alone, even without the intervention of the micro-controller. It ensures that if the controller or system locks up, the fan can still be controlled based on temperature measurements, and the fan speed adjusted to correct any changes in system temperature. Software-RPM works as a fan speed regulator to maintain the speed at a programmable target value. It is a closed-loop mode and can run stand-alone as well. The Software-DCY mode is an open-loop mode; the PWM output duty cycle changes to the target value immediately after the user writes the desired duty cycle to the device registers.

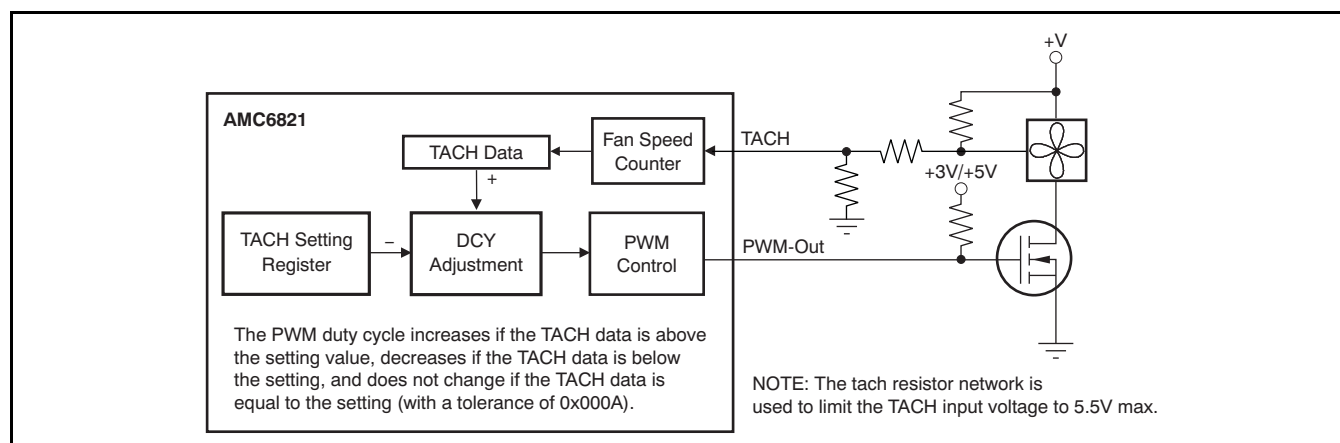
Bits FDRC1 and FDRC0 in [Configuration Register 1](#) determine the operation mode.

### Software DCY Control Mode

When the bits [FDRC1:FDRC0] = [00], the fan works in the software DCY control mode. The host writes the desired duty cycle value corresponding to the required RPM into the DCY register. The duty cycle changes to the new value immediately after the writing. In this mode, if the TACH measurement is enabled (bit 2 of 0x01 = 1) and the TACH-MODE bit (bit 1 of 0x01) is cleared ('0'), the duty cycle from the PWM-OUT pin is forced to 0% when the value in the DCY register is less than 7%. However, if the TACH measurement is disabled (bit 2 of 0x01 is cleared) or the TACH mode is set ('1'), the DCY register always keeps the programmed value written by the host and is not forced to '0' even when the programmed value is less than 7%.

### Software-RPM Control Mode (Fan Speed Regulator)

This mode works as a fan speed regulator that maintains the speed at a programmable target value. It works only when the TACH measurement is enabled (bit 2 of 0x02 = 1). When the bits [FDRC1:FDRC0] = [01], the fan works in the software RPM control mode, as shown in [Figure 25](#). The host writes the proper value into the [TACH Setting Register](#) to set the target fan speed. The actual fan speed is monitored by an on-chip fan speed counter, and the result is stored in the [TACH-DATA Register](#) (refer to the [Fan Speed Measurement](#) section for more details). The actual speed is compared with the setting value. If there is a difference, the duty cycle is adjusted.



**Figure 25. Software RPM Control**

The monitoring and adjustment is made once every second, or once every 250ms, as determined by the TACH-FAST bit of [Configuration Register 4](#) (bit 5, 0x04). Bits [STEP1:STEP0] of the [DCY-RAMP Register](#) define the allowed amount of each adjustment. When the difference between the values of the [TACH-DATA](#) and [TACH Setting](#) Registers are equal to or less than 0x000A, the adjustment finishes. 0x000A corresponds to about 1.8% tolerance for 10,000RPMs, or 0.9% for 5000RPMs. This measurement architecture is illustrated in [Figure 26](#).

In practice, the selected target speed must be not too low to operate the fan. When the TACH-MODE bit (bit 1 of 0x02) is cleared ('0'), the duty cycle of PWM-Out is forced to 30% when the calculated desired value of duty cycle is less than 30%. Therefore, the TACH setting must be not greater than the value corresponding to the RPM for 30% duty cycle. When TACH mode = '1', the TACH setting must not be greater than the value corresponding to the allowed minimum RPM at which the fan runs properly.

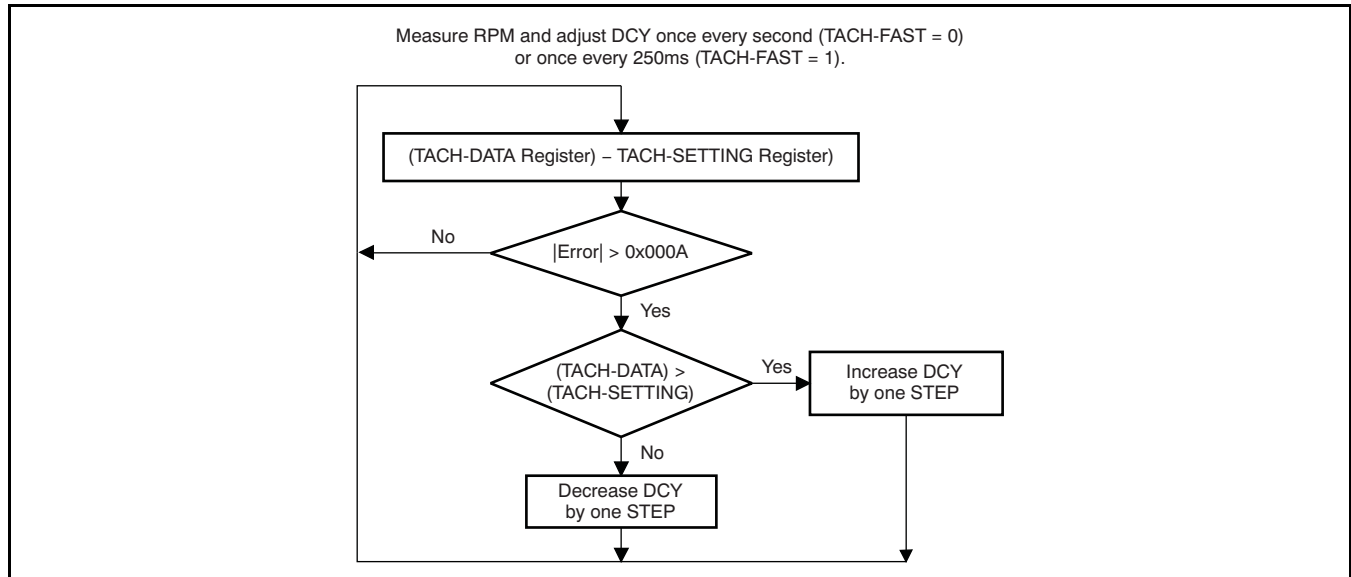
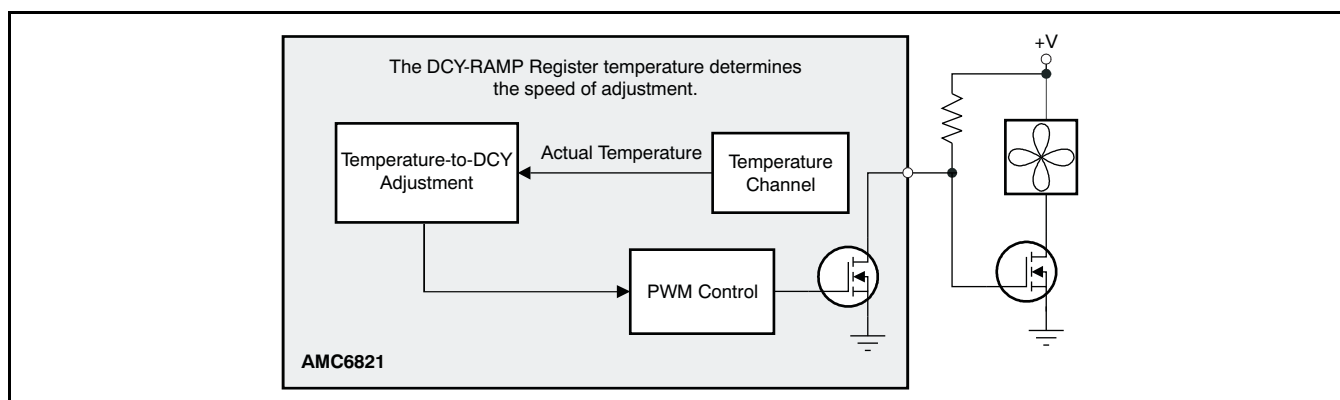


Figure 26. RPM Fan DCY Loop

### Auto Temperature Fan Mode

The Auto Temperature-Fan mode is a closed-loop control that optimizes fan speed for a given temperature to intelligently manage the system thermals/acoustics. It runs stand-alone even without the intervention of a controller. The AMC6821 has two auto temperature fan control modes. When the bits [FDRC1:FDRC0] = [10] (default), the fan is in the Auto Remote Temperature-Fan Speed control mode. The temperature reading from the remote temperature sensor is the active control temperature that controls the PWM duty cycle. When the bits [FDRC1:FDRC0] = [11], the fan is in the maximum fast-speed calculated control mode. The local temperature and the remote temperature have independently-programmed control loops with different parameters. In the maximum fast-speed calculated control mode, the required fan speed is calculated for the remote and local channels, respectively. Whichever control loop calculates the fastest speed based on the measured temperature drives the fan. After the monitor starts, the PWM duty cycle is determined by the actual control temperature. When the temperature is above the low temperature and below the high temperature, the internal control loop automatically adjusts the duty cycle to a proper value according to the measured temperature. When the temperature rises, the duty cycle increases to a higher value; when the temperature drops, the duty cycle reduces. This architecture makes the fan always run at an optimal speed. This adjustment is based on the control-loop parameters defined in the [Local TEMP-FAN Control Register](#), [Remote TEMP-FAN Control Register](#), and the [DCY-RAMP Register](#). Changing the parameters changes the desired value of the duty cycle and the fan speed.

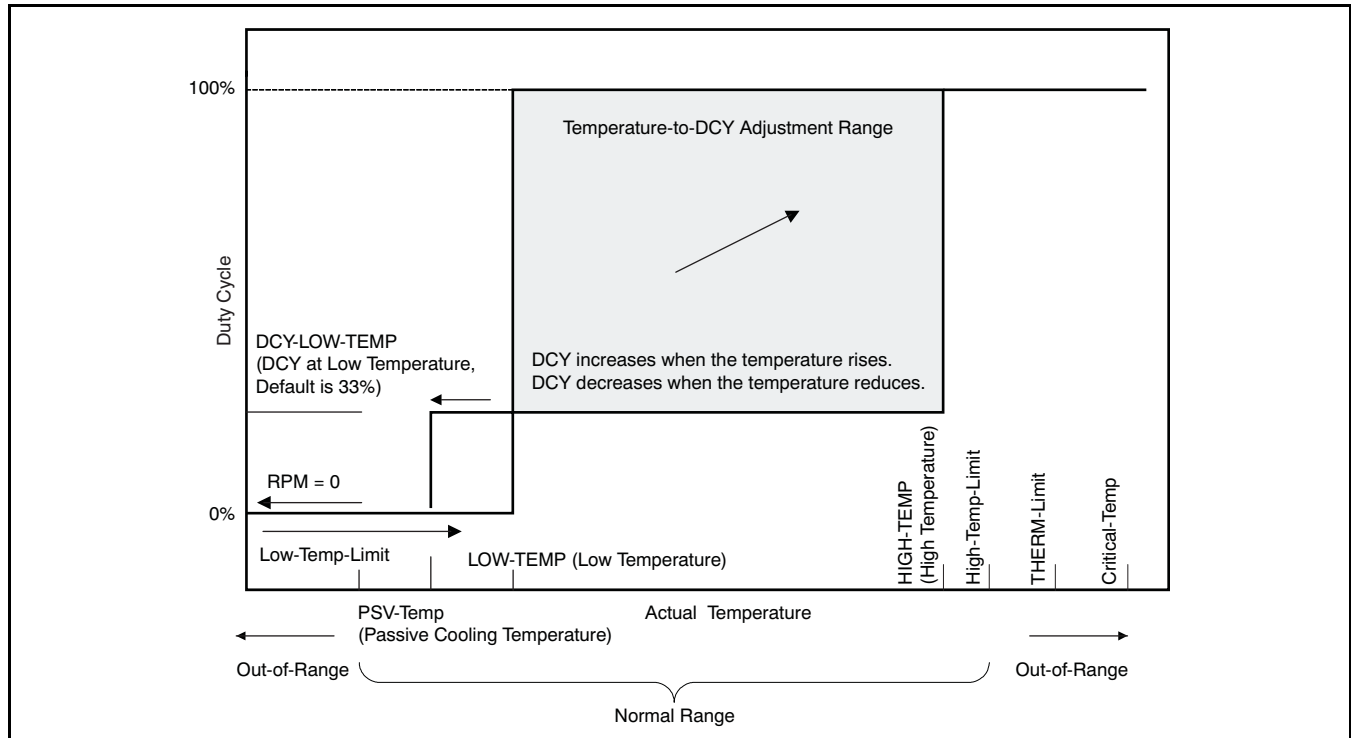


**Figure 27. Auto Fan Temperature Loop**

The bits [R-TEMP4:R-TEMP0] of the [Remote TEMP-FAN Control Register](#) and the bits [L-TEMP4:L-TEMP0] of the [Local TEMP-FAN Control Register](#) are the low temperature bits that define the low temperature of the control loops. Bits [SPL2:SPL0] of these registers are the slope bits that define the increment of the duty cycle when the temperature increases 1°C. The bits [RATE2:RATE0] of the [DCY-RAMP Register](#) (bits [4:1], 0x23) specify the updating rate of the duty cycle in the temp-fan control mode, and the bits [STEP1:STEP0] define how much the duty cycle is adjusted by each updating. The target duty cycle for temperature T1 and the HIGH-TEMP (high temperature) can be calculated by [Equation 3](#):

$$\text{Target DCY at T1} = \text{DCY-LOW-TEMP} + (\text{T1} - \text{LOW-TEMP}) \times \text{SLOPE};$$

$$\text{HIGH-TEMP} = (\text{LOW-TEMP}) + \frac{(100 - \text{DCY-LOW-TEMP})}{\text{SLOPE}} \tag{3}$$



**Figure 28. Active Control Temperature—PWM Duty Cycle**

When the active control temperature is equal to or below the corresponding low temperature, the duty cycle is equal to the value of the [DCY-LOW-TEMP Register](#) and the fan runs at a predefined minimum speed. When the control temperature is equal to or higher than the corresponding high temperature, the PWM duty cycle is set to 100% and the fan runs at full speed. When the active control temperature is equal to or below the corresponding value of the [PSV-Temp Register](#) (the predefined passive cooling temperature), the fan stops and the PWM duty cycle is set to 0.

When the actual duty cycle is different from the desired value, the duty cycle is adjusted automatically. When the RAMPE bit of the **DCY-RAMP Register** is cleared ('0'), the duty cycle changes to the desired value immediately after being calculated. When the RAMPE bit is '1', the duty cycle changes to the new value gradually.

The **DCY-RAMP Register** specifies how quickly the duty cycle changes. The duty cycle can be checked every 0.0625 second to every eight seconds, depending on the bits [RATE2:RATE0] bits. It changes 1/255(0.392%) to 4/255 (1.57%) each time, depending on the bits [STEP1:STEP0] bits. When the difference between the actual value and the target value is equal to or less than the adjustment threshold (as defined by the bits [THRE1:THRE0] bits), the adjustment finishes. See the **DCY-RAMP Register** for details. When the TACH monitoring is enabled (TACH-EN bit, bit 2 of 0x02, is set to '1') and the TACH-MODE bit (bit 1 of 0x02) is cleared ('0'), the duty cycle is forced to 0% when the calculated value is less than 7%. If the TACH monitoring is disabled (TACH-EN = 0) or the TACH-MODE bit is set ('1'), the duty cycle is always set to the calculated value even if the value is less than 7%.

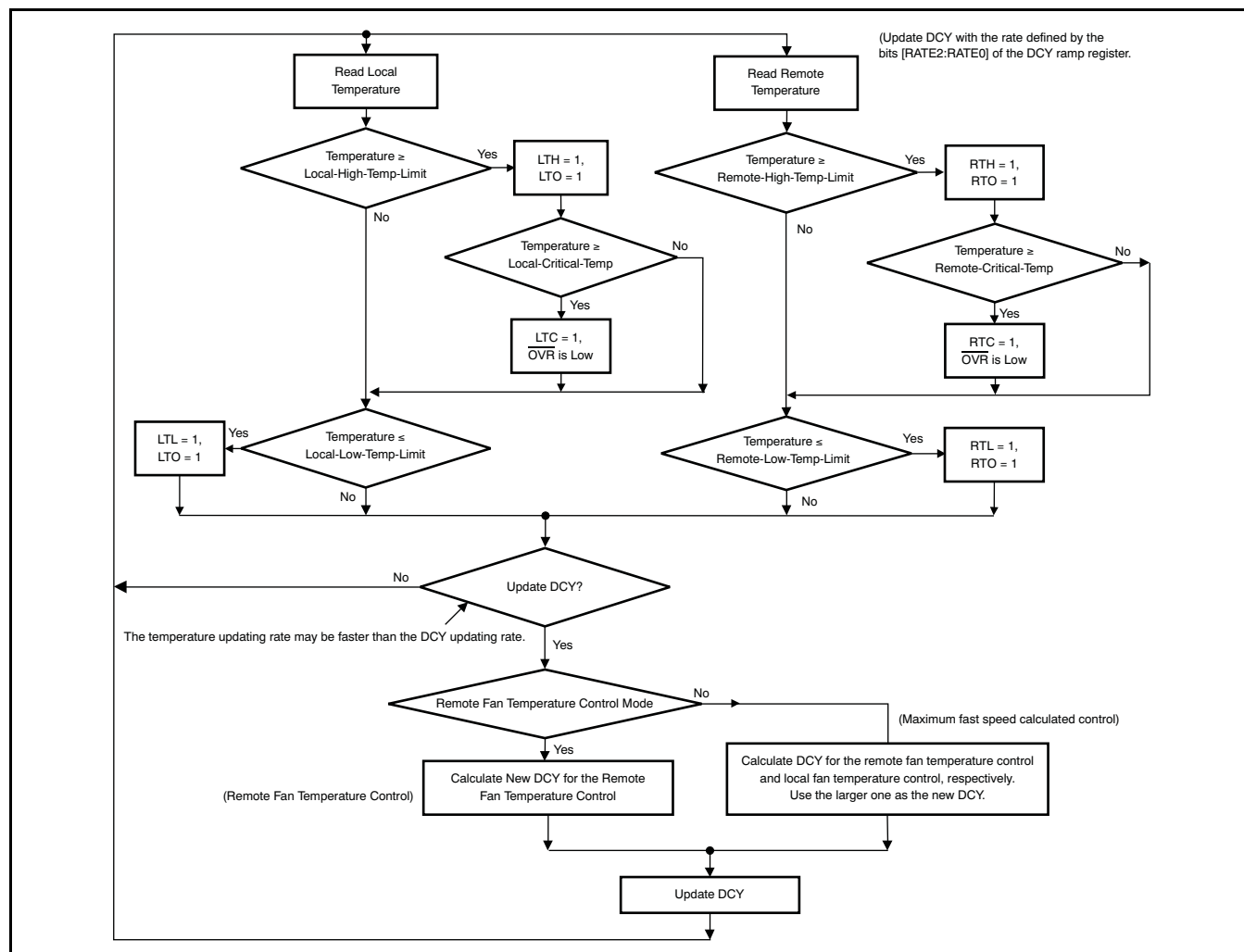


Figure 29. Temperature Monitoring Flow Chart

## INTERRUPT

The AMC6821 provides two interrupt output pins,  $\overline{\text{OVR}}$  and  $\overline{\text{SMBALERT}}$ .

### $\overline{\text{OVR}}$ Pin

$\overline{\text{OVR}}$  is an open-drain output pin that works as an over-critical temperature limit (shutdown threshold) indicator and remote sensor failure indicator. This architecture is shown in Figure 30. Setting the  $\text{OVREN}$  bit of Configuration Register 4 to '1' enables this pin; clearing  $\text{OVREN}$  ('0') disables it. When disabled, the  $\overline{\text{OVR}}$  pin is in a high-impedance status. When enabled, the status is controlled by the over-critical temperature flag and remote sensor failure flag bits of the Status Registers.

When the temperature is over the critical limit (shutdown threshold), the corresponding over-critical limit flag of the Status Register (RTC for the remote channel and LTC for the local channel) is set ('1'). This flag is cleared ('0') when reading the Status Registers. Once cleared, this bit is not reasserted until the temperature falls 5°C below the exceeded critical limit, even if the over-critical limit condition persists. When the temperature is equal to or above the critical temperature limit, the  $\overline{\text{OVR}}$  pin is asserted (active low) to indicate this critical condition. As the over-critical temperature limit indicator, the  $\overline{\text{OVR}}$  pin remains low once asserted until the measured temperature falls 5°C below the exceeded critical limit.

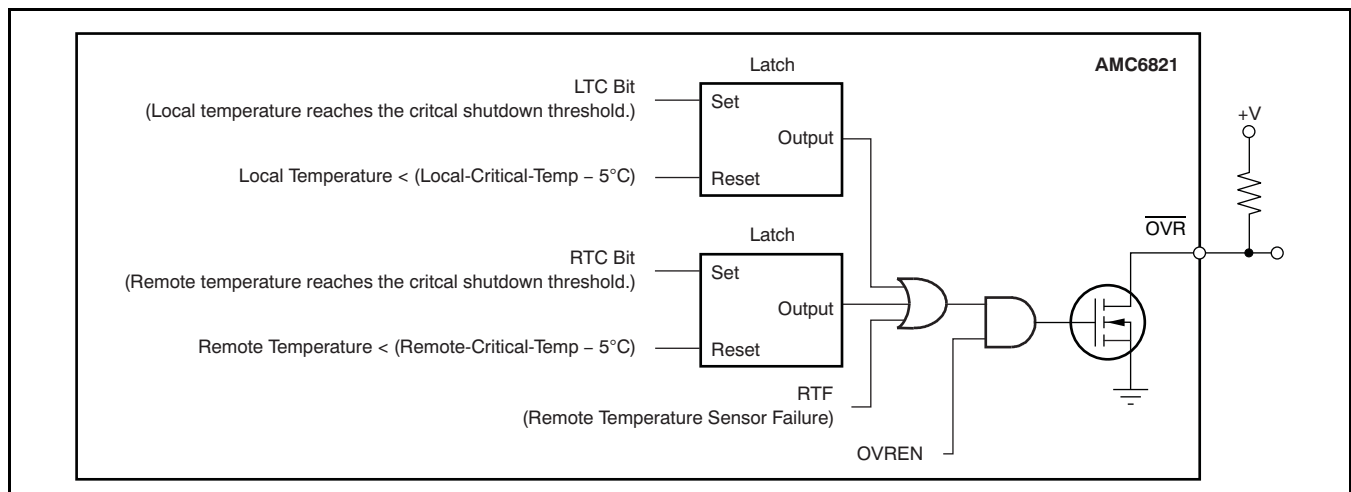


Figure 30.  $\overline{\text{OVR}}$  Pin

When a remote temperature sensor failure condition is detected (either short-circuit or open-circuit), the remote temperature sensor failure bit (RTF) in Status Register 1 (bit 5, 0x02) is set ('1') and the  $\overline{\text{OVR}}$  pin is forced low no matter what the status of  $\text{RTFIE}$  is. This value indicates a remote sensor failure condition. Once this condition occurs, the RTF bit remains '1' and the  $\overline{\text{OVR}}$  pin stays low until a power-on reset or software reset is issued, regardless if the failure condition continues thereafter.  $\text{RTF} = 1$  also generates an RTF interrupt through the  $\overline{\text{SMBALERT}}$  pin when  $\text{RTFIE} = 1$ .

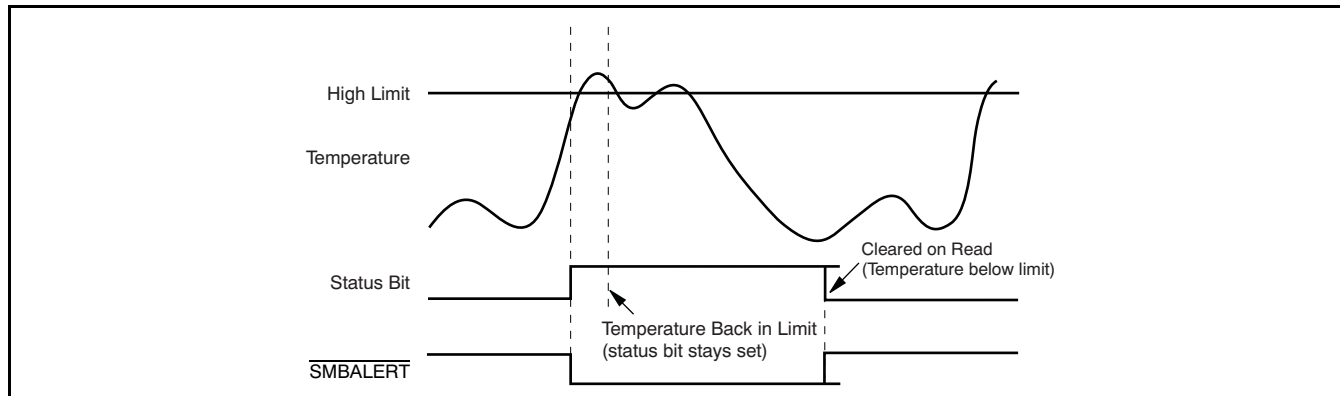
### $\overline{\text{SMBALERT}}$ Pin

The  $\overline{\text{SMBALERT}}$  pin is a standard interrupt output defined by SMBus specification revision 2.0. This pin is an open-drain output pin and is illustrated in Figure 33.

### $\overline{\text{SMBALERT}}$ Interrupt Behavior

When an out-of-limit event occurs, the proper flag bits in the status registers are set ('1'), and the corresponding interrupts are generated, if enabled. When an interrupt is generated, the  $\overline{\text{SMBALERT}}$  pin asserts low. The host can poll the device status registers to get the information, or give a response to the  $\overline{\text{SMBALERT}}$  interrupt signal. It is important to note how the  $\overline{\text{SMBALERT}}$  output and status bits behave when writing interrupt-handler software. Figure 31 shows how the  $\overline{\text{SMBALERT}}$  output and status bits behave.

Once a limit is exceeded, the corresponding status bit is set to '1'. The status bit remains set until the error condition subsides and the status register gets read. The status bits are referred to as being *sticky* because they remain set until read by software. This design ensures that out-of-limit events cannot be missed if the software is polling the device periodically. The SMBALERT output remains low for the entire duration that the reading is out of limits and remains low until the status register has been read. This architecture has implications on how software handles the interrupt.

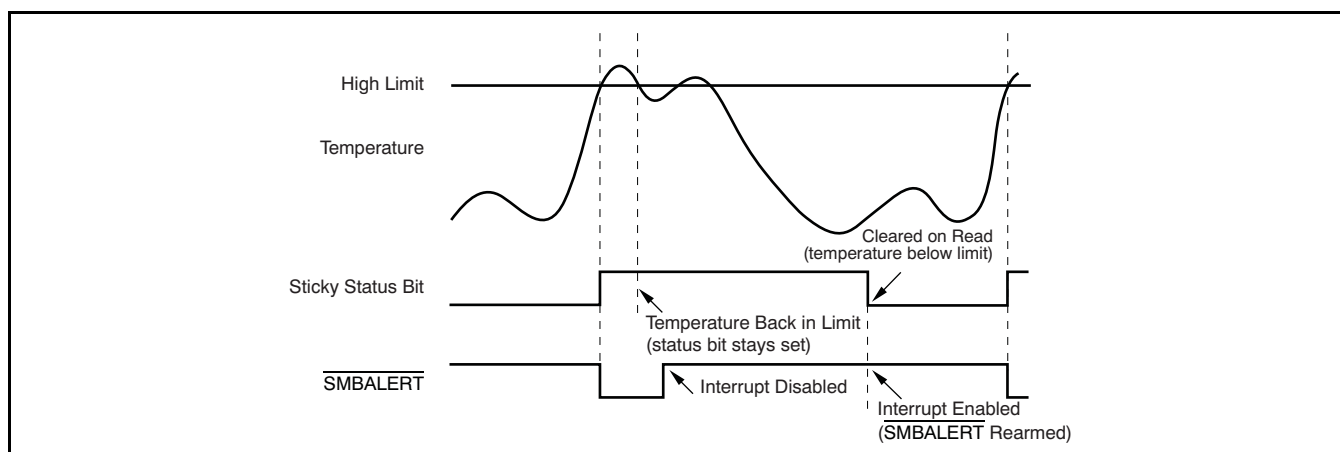


**Figure 31. SMBALERT Pin and Status Bits Behavior**

## HANDLING SMBALERT INTERRUPTS

To prevent the system from being tied up while servicing interrupts, it is recommended to handle the SMBALERT interrupt in this manner:

1. Detect the SMBALERT assertion.
2. Enter the interrupt handler.
3. Read the status registers to identify the interrupt source.
4. Disable the interrupt source by clearing the appropriate enable bit in the configuration registers.
5. Take the appropriate action for a given interrupt source.
6. Exit the interrupt handler.
7. Periodically poll the status registers. If the interrupt source bit has cleared, reset the corresponding interrupt enable bit to '1'. This reset makes the SMBALERT output and status bits behave as shown in [Figure 32](#).



**Figure 32. How Masking the Interrupt Source Affects SMBALERT**

Individual interrupts can be masked by clearing the corresponding interrupt enable bit in the configuration registers to prevent SMBALERT interrupts. Note that masking an interrupt source only prevents the SMBALERT pin output from being asserted; the appropriate status bit gets set as normal.

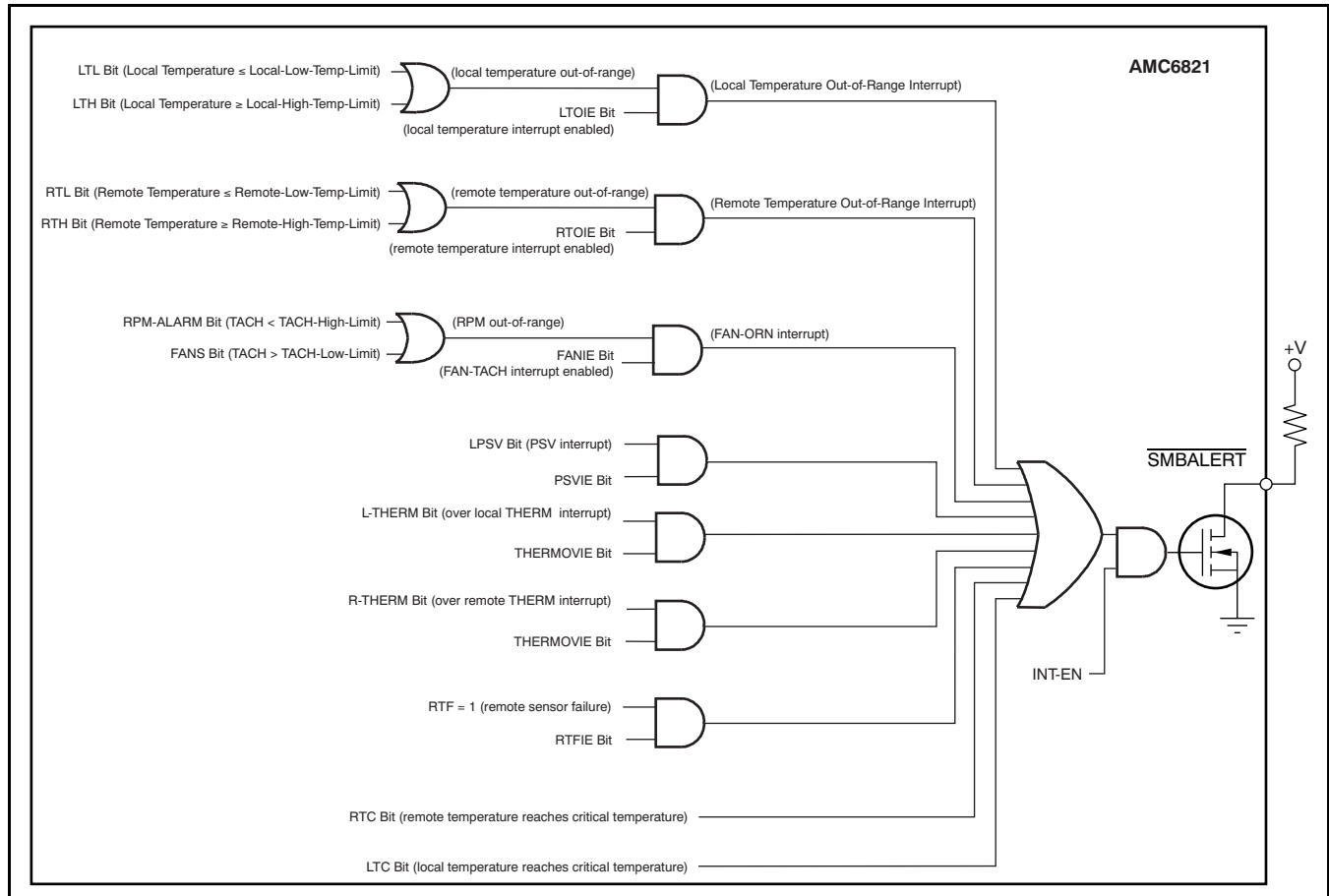


Figure 33. SMBALERT



## REGISTER MAP

All registers are 8-bit. [Table 14](#) shows the memory map. Locations that are marked *Reserved* read back 0x0000 if they are read by the host. Writing to these locations has no effect.

### Table 14. Memory Map

| ADDR                            | NAME                     | R/W | DEFAULT | BIT 7  | BIT 6                | BIT 5             | BIT 4               | BIT 3                 | BIT 2                    | BIT 1         | BIT 0         |
|---------------------------------|--------------------------|-----|---------|--|----------------------|-------------------|---------------------|-----------------------|--------------------------|---------------|---------------|
| <b>IDENTIFICATION REGISTERS</b> |                          |     |         |  |                      |                   |                     |                       |                          |               |               |
| 0x3D                            | Device ID Register       | R   | 0x21    | 0  | 0                    | 1                 | 0                   | 0                     | 0                        | 0             | 1             |
|                                 |                          |     |         | Device identification number. Always read '0x21'.  |                      |                   |                     |                       |                          |               |               |
| 0x3E                            | Company ID Register      | R   | 0x49    | 0  | 1                    | 0                 | 0                   | 1                     | 0                        | 0             | 1             |
|                                 |                          |     |         | Company identification number.   |                      |                   |                     |                       |                          |               |               |
| <b>CONFIGURATION REGISTERS</b>  |                          |     |         |  |                      |                   |                     |                       |                          |               |               |
| 0x00                            | Configuration Register 1 | R/W | 0x04    | THERMOVIE  | FDR1                 | FDR0              | FAN-Fault-EN        | PWMINV                | FANIE                    | INT-EN        | START         |
|                                 |                          |     |         | THERM INT Enable   | Fan Control Mode     |                   | FAN-Fault Pin EN    | PWM Invert            | RPM Int EN               | Global Int EN | Start Monitor |
| 0x01                            | Configuration Register 2 | R/W | 0x3D    | RST  | PSVIE                | RTOIE             | LTOIE               | RTFIE                 | TACH-EN                  | TACH-MODE     | PWM-EN        |
|                                 |                          |     |         | Reset  | LPSV Int EN          | RT Int EN         | LT Int EN           | Remote Failure Int EN | TACH EN                  | TACH Mode     | PWM-Out EN    |
| 0x3F                            | Configuration Register 3 | R/W | 0x82    | THERM-FAN-EN   | 0                    | 0                 | 0                   | 0                     | 0                        | 1             | 0             |
|                                 |                          |     |         | THERM-Fan Control  | Part Revision Number |                   |                     |                       |                          |               |               |
| 0x04                            | Configuration Register 4 | R/W | 0x08    | For Future Use   | PSPR                 | TACH-FAST         | OVREN               | 1                     | 0                        | 0             | 0             |
|                                 |                          |     |         | Must be rewritten to '1'.  | Pulse Number         | TACH Reading Fast | OV $\bar{R}$ Pin EN | Reserved              |                          |               |               |
| 0x02                            | Status Register 1        | R   | 0x00    | LTL  | LTH                  | RTF               | R-THERM             | RTL                   | RTH                      | FANS          | RPM-ALARM     |
|                                 |                          |     |         | LT Low   | LT High              | RT Failure        | RT Over Therm       | RT Low                | RT High                  | Fan Slow      | Fan Fast      |
| 0x03                            | Status Register 2        | R   | 0x00    | THERM-IN   | L-THERM              | LPSV              | LTC                 | RTC                   | 0                        | 0             | 0             |
|                                 |                          |     |         | Therm Input  | LT Over Therm        | LT Below Therm    | LT Over Critical    | RT Over Critical      | Reserved                 |               |               |
| <b>TEMPERATURE MONITORING</b>   |                          |     |         |  |                      |                   |                     |                       |                          |               |               |
| 0x06                            | Temp-DATA-LByte          | R   | 0x00    | LT2  | LT1                  | LT0               | 0                   | 0                     | RT2                      | RT1           | RT0           |
|                                 |                          |     |         | 3 LSBs of Local Reading  |                      |                   | Reserved            |                       | 3 LSBs of Remote Reading |               |               |
| 0x0A                            | Local-Temp-DATA-HByte    | R   | 0x80    | LT10 (MSB)   | LT9                  | LT8               | LT7                 | LT6                   | LT5                      | LT4           | LT3           |
|                                 |                          |     |         | The 8 MSBs of newest reading of local temperature sensor. Default = -128°C.  |                      |                   |                     |                       |                          |               |               |
| 0x0B                            | Remote-Temp-DATA-HByte   | R   | 0x80    | RT10 (MSB)   | RT9                  | RT8               | RT7                 | RT6                   | RT5                      | RT4           | RT3           |
|                                 |                          |     |         | The 8 MSBs of newest reading of remote temperature sensor. Default = -128°C.   |                      |                   |                     |                       |                          |               |               |
| 0x14                            | Local-High-Temp-Limit    | R/W | 0x3C    | LT-H10   | LT-H9                | LT-H8             | LT-H7               | LT-H6                 | LT-H5                    | LT-H4         | LT-H3         |
|                                 |                          |     |         | 8 MSBs of upper-bound threshold of out-of-range detection of Local-Temp. 3 LSBs are '0'. Default = +60°C.  |                      |                   |                     |                       |                          |               |               |
| 0x15                            | Local-Low-Temp-Limit     | R/W | 0x00    | LT-L10   | LT-L9                | LT-L8             | LT-L7               | LT-L6                 | LT-L5                    | LT-L4         | LT-L3         |
|                                 |                          |     |         | 8 MSBs of lower-bound threshold of the out-of-range detection of Local-Temp. 3 LSBs are '0'. Default = 0°C.  |                      |                   |                     |                       |                          |               |               |
| 0x16                            | Local-THERM-Limit        | R/W | 0x46    | LT-T10   | LT-T9                | LT-T8             | LT-T7               | LT-T6                 | LT-T5                    | LT-T4         | LT-T3         |
|                                 |                          |     |         | 8 MSBs of local THERM temperature limit. 3 LSBs are '0'. When local temperature is equal to or above this limit, L-THERM is detected. Default = +70°C.   |                      |                   |                     |                       |                          |               |               |
| 0x18                            | Remote-High-Temp-Limit   | R/W | 0x50    | RT-H10   | RT-H9                | RT-H8             | RT-H7               | RT-H6                 | RT-H5                    | RT-H4         | RT-H3         |
|                                 |                          |     |         | The 8 MSBs of the upper-bound threshold of the out-of-range detection of Remote-Temp. 3 LSBs are '0'. Default = +80°C.   |                      |                   |                     |                       |                          |               |               |
| 0x19                            | Remote-Low-Temp-Limit    | R/W | 0x00    | RT-L10   | RT-L9                | RT-L8             | RT-L7               | RT-L6                 | RT-L5                    | RT-L4         | RT-L3         |
|                                 |                          |     |         | The 8 MSBs of the lower-bound threshold of the out-of-range detection of Remote-Temp. 3 LSBs are '0'. Default = 0°C.   |                      |                   |                     |                       |                          |               |               |
| 0x1A                            | Remote-THERM-Limit       | R/W | 0x64    | RT-T10   | RT-T9                | RT-T8             | RT-T7               | RT-T6                 | RT-T5                    | RT-T4         | RT-T3         |
|                                 |                          |     |         | 8 MSBs of Remote THERM temperature limit. 3 LSBs are '0'. When remote temperature is equal to or above this limit, R-THERM is detected. Default = +100°C.  |                      |                   |                     |                       |                          |               |               |
| 0x1B                            | Local-Critical-Temp      | R/W | 0x50    | LT-C10   | LT-C9                | LT-C8             | LT-C7               | LT-C6                 | LT-C5                    | LT-C4         | LT-C3         |
|                                 |                          |     |         | The 8 MSBs of Local Critical temperature shutdown threshold. 3 LSBs are '0'. When the Local-Temp is equal to or above this limit, the LTC interrupt occurs and OV $\bar{R}$ goes low. Default = +80°C. |                      |                   |                     |                       |                          |               |               |

**Table 14. Memory Map (continued)**

| ADDR                                      | NAME                                  | R/W | DEFAULT | BIT 7   | BIT 6                                   | BIT 5                 | BIT 4                                    | BIT 3             | BIT 2                                  | BIT 1   | BIT 0            |
|---|---------------------------------------|-----|---------|---|---|-----------------------|--|-------------------|--|---|------------------|
| <b>TEMPERATURE MONITORING (continued)</b> |                                       |     |         |   |   |                       |  |                   |  |   |                  |
| 0x1C                                      | PSV-Temp                              | R/W | 0x00    | 0   | 0                                       | PSV8                  | PSV7                                     | PSV6              | PSV5                                   | PSV4  | PSV3             |
|   |                                       |     |         | Passive Cooling Temperature threshold. 3 LSBs and two MSBs are '0'. For details, refer to the passive cooling temperature limit in the <a href="#">Temperature Out-of-Range Detection</a> section. Default = 0°C.   |   |                       |  |                   |  |   |                  |
| 0x1D                                      | Remote-Critical-Temp                  | R/W | 0x69    | RT-C10  | RT-C9                                   | RT-C8                 | RT-C7                                    | RT-C6             | RT-C5                                  | RT-C4   | RT-C3            |
|   |                                       |     |         | The 8 MSBs of Remote Critical temperature shutdown threshold. 3 LSBs are '0'. When the Remote-Temp is equal to or above this limit, an RCRT interrupt occurs and <b>OV<sub>R</sub></b> goes low. Default = +105°C.  |   |                       |  |                   |  |   |                  |
| <b>PWM CONTROLLER</b>                     |                                       |     |         |   |   |                       |  |                   |  |   |                  |
| 0x20                                      | FAN-Characteristics                   | R/W | 0x1D    | FSPD  | 0                                       | PWM2                  | PWM1                                     | PWM0              | STIME2                                 | STIME1  | STIME0           |
|   |                                       |     |         | Spin Dis  |   | PWM Frequency Setting |  |                   | Spin-Up Time Setting                   |   |                  |
| 0x21                                      | DCY-Low-Temp                          | R/W | 0x55    | L-DCY7  | L-DCY6                                  | L-DCY5                | L-DCY4                                   | L-DCY3            | L-DCY2                                 | L-DCY1  | L-DCY0           |
|   |                                       |     |         | The duty cycle of PWM when the temperature is equal to or below Low-Temp in Auto Temp-Fan Control mode. Default = 0x55, 33.2%.  |   |                       |  |                   |  |   |                  |
| 0x22                                      | DCY (Duty Cycle)                      | R/W | 0x55    | DCY7 (MSB)  | DCY6                                    | DCY5                  | DCY4                                     | DCY3              | DCY2                                   | DCY1  | DCY0             |
|   |                                       |     |         | Actual Duty cycle of PWM output. The duty cycle changes immediately after new data are written into this register. 8-bit, 0.39%/bit, range 0%-100%. Default = 33%.<br>In read operation, the returned data are the actual DCY value driving the PWM-Out pin with two exceptions. Refer to the <a href="#">DCY Register</a> section.<br>In write operation, the data written are the actual DCY value driving the PWM-Out pin in Software-DCY control mode. In all other control modes, the data are not used to drive the PWM. Instead, they are stored in a temporary register, and used to control the PWM immediately after the control mode is changed to software-DCY control. |   |                       |  |                   |  |   |                  |
| 0x23                                      | DCY-RAMP                              | R/W | 0x52    | RAMPE   | STEP1                                   | STEP0                 | RATE2                                    | RATE1             | RATE0                                  | THRE1   | THRE0            |
|   |                                       |     |         | Ramp Enable   | DCY Adjustment Step in Auto Fan Control |                       | DCY Update Rate in Auto Temp-Fan Control |                   |  | Adjustment Threshold in Auto Temp-Fan Control |                  |
| 0x24                                      | Local Temp-Fan Control <sup>(1)</sup> | R/W | 0x41    | L-TEMP4   | L-TEMP3                                 | L-TEMP2               | L-TEMP1                                  | L-TEMP0           | L-SLP2                                 | L-SLP1  | L-SLP0           |
|   |                                       |     |         | Low-Temp in Auto Local Temp-Fan control.  |   |                       |  |                   | Slope in Auto Local Temp-Fan control.  |   |                  |
| 0x25                                      | Remote Temp-Fan Control               | R/W | 0x61    | R-TEMP4   | R-TEMP3                                 | R-TEMP2               | R-TEMP1                                  | R-TEMP0           | R-SLP2                                 | R-SLP1  | R-SLP0           |
|   |                                       |     |         | Low-Temp in Auto Remote Temp-Fan control.   |   |                       |  |                   | Slope in Auto Remote Temp-Fan control. |   |                  |
| <b>TACH (RPM) MEASUREMENT</b>             |                                       |     |         |   |   |                       |  |                   |  |   |                  |
| 0x08                                      | TACH-DATA-LByte                       | R   | 0x00    | TACH-DATA7  | TACH-DATA6                              | TACH-DATA5            | TACH-DATA4                               | TACH-DATA3        | TACH-DATA2                             | TACH-DATA1                                    | TACH-DATA0       |
|   |                                       |     |         | Low byte of TACH measurement.   |   |                       |  |                   |  |   |                  |
| 0x09                                      | TACH-DATA-HByte                       | R   | 0x00    | TACH-DATA15   | TACH-DATA14                             | TACH-DATA13           | TACH-DATA12                              | TACH-DATA11       | TACH-DATA10                            | TACH-DATA9                                    | TACH-DATA8       |
|   |                                       |     |         | High byte of TACH measurement.  |   |                       |  |                   |  |   |                  |
| 0x10                                      | TACH-Low-Limit-LByte                  | R/W | 0xFF    | TACH-Low-Limit7   | TACH-Low-Limit6                         | TACH-Low-Limit5       | TACH-Low-Limit4                          | TACH-Low-Limit3   | TACH-Low-Limit2                        | TACH-Low-Limit1                               | TACH-Low-Limit0  |
|   |                                       |     |         | Low byte of TACH count limit corresponding to minimum allowed RPM. Since the TACH circuit counts between TACH pulses, a slow fan results in a larger measured value. When the measured value is larger than TACH-Low-Limit, the fan runs below the allowed minimum speed limit.   |   |                       |  |                   |  |   |                  |
| 0x11                                      | TACH-Low-Limit-HByte                  | R/W | 0xFF    | TACH-Low-Limit15  | TACH-Low-Limit14                        | TACH-Low-Limit13      | TACH-Low-Limit12                         | TACH-Low-Limit11  | TACH-Low-Limit10                       | TACH-Low-Limit9                               | TACH-Low-Limit8  |
|   |                                       |     |         | High byte of TACH Limit corresponding to minimum allowed RPM.   |   |                       |  |                   |  |   |                  |
| 0x12                                      | TACH-High-Limit-LByte                 | R/W | 0x00    | TACH-High-Limit7  | TACH-High-Limit6                        | TACH-High-Limit5      | TACH-High-Limit4                         | TACH-High-Limit3  | TACH-High-Limit2                       | TACH-High-Limit1                              | TACH-High-Limit0 |
|   |                                       |     |         | Low byte of TACH count Limit corresponding to maximum allowed RPM. Since the TACH circuit counts between TACH pulses, a fast fan results in a small measured value. When the measurement is less than this limit, the fan runs above the allowed maximum speed limit.   |   |                       |  |                   |  |   |                  |
| 0x13                                      | TACH-High-Limit-HByte                 | R/W | 0x00    | TACH-High-Limit15   | TACH-High-Limit14                       | TACH-High-Limit13     | TACH-High-Limit12                        | TACH-High-Limit11 | TACH-High-Limit10                      | TACH-High-Limit9                              | TACH-High-Limit8 |
|   |                                       |     |         | High byte of TACH limit corresponding to maximum allowed RPM.   |   |                       |  |                   |  |   |                  |
| 0x1E                                      | TACH-SETTING-LByte                    | R/W | 0xFF    | TACH-SETTING7   | TACH-SETTING6                           | TACH-SETTING5         | TACH-SETTING4                            | TACH-SETTING3     | TACH-SETTING2                          | TACH-SETTING1                                 | TACH-SETTING0    |
|   |                                       |     |         | Low byte of TACH value corresponding to the predetermined target fan speed. TACH-SETTING must be not greater than the value corresponding to the RPM for 30% duty cycle when the TACH-MODE bit is cleared ('0').  |   |                       |  |                   |  |   |                  |
| 0x1F                                      | TACH-SETTING-HByte                    | R/W | 0xFF    | TACH-SETTING15  | TACH-SETTING14                          | TACH-SETTING13        | TACH-SETTING12                           | TACH-SETTING11    | TACH-SETTING10                         | TACH-SETTING9                                 | TACH-SETTING8    |
|   |                                       |     |         | High byte of TACH value corresponding to the predetermined fan speed. TACH-SETTING must be not greater than the value corresponding to the RPM for 30% duty cycle when the TACH-MODE bit is cleared ('0').  |   |                       |  |                   |  |   |                  |
| 0x3A                                      | Reserved                              | R   | 0x00    | Always read '0'.  |   |                       |  |                   |  |   |                  |
| 0x3B                                      | Reserved                              | R   | 0x00    | Always read '0'.  |   |                       |  |                   |  |   |                  |

(1) Used to calculate the target PWM duty cycle for local temperature in maximum fast-speed calculated control.



## REGISTER DESCRIPTION

In this section, all interrupts are the interrupt signal through the  $\overline{\text{SMBALERT}}$  pin, unless otherwise noted.

## DEVICE CONFIGURATION REGISTERS

**Configuration Register 1 (Address 0x00, Value After Power-On Reset = 0xD4)**

| BIT | NAME         | R/W | DEFAULT | DESCRIPTION  |
|-----|--------------|-----|---------|--|
| 7   | THERMOVIE    | R/W | 1       | THERM interrupt enable. When this bit is set, the THERM interrupt is enabled. L-THERM = 1 or R-THERM = 1 causes an interrupt. When this bit is cleared ('0'), the THERM interrupt is disabled. When disabled, L-THERM = 1 or R-THERM = 1 does not assert the $\overline{\text{SMBALERT}}$ pin, but forces the $\overline{\text{THERM}}$ pin low. Power-on default = 1. |
| 6   | FDRC1        | R/W | 1       | Fan driver control bit 1. Power-on default = 1. Refer to <a href="#">Table 15</a> .  |
| 5   | FDRC0        | R/W | 0       | Fan driver control bit 0. Power-on default = 0. Refer to <a href="#">Table 15</a> .  |
| 4   | FAN-Fault-EN | R/W | 1       | Setting this pin to '1' enables the $\overline{\text{FAN-FAULT}}$ pin. Clearing this pin ('0') disables the $\overline{\text{FAN-FAULT}}$ pin (always in Hi-Z). Power-on default = 1.  |
| 3   | PWMINV       | R/W | 0       | PWM invert bit. When PWMINV = 0 (default), the PWM-Out pin goes low for 100% duty cycle (suitable for driving the fan using a PMOS device). Setting PWMINV to '1' makes the PWM-Out pin go high (with an external pull-up resistor) for 100% duty cycle (suitable for driving the fan using a NMOS device). Power-on default = 0.                                      |
| 2   | FANIE        | R/W | 1       | Fan RPM interrupt enable bit. Power-on default = 1. When FANIE = 1, the FAN-RPM interrupt is enabled. FANS = 1 or RPM-ALARM = 1 generates a FANORNI interrupt, making the $\overline{\text{SMBALERT}}$ pin go low. When FANIE = 0, a FAN-RPM interrupt is disabled. Fan out-of-range = 1 does not generate an interrupt.   |
| 1   | INT-EN       | R/W | 0       | Setting this bit to '1' enables the interrupt from the $\overline{\text{SMBALERT}}$ pin. Clearing this bit ('0') disables the interrupt. Power-on default = 0.   |
| 0   | START        | R/W | 0       | Temperature monitoring and fan speed monitoring. When START = 0, only software-DCY control mode works; software-RPM and auto temperature control modes do not work.  |

**Table 15. Fan Driver Control Bits**

| FDRC1 | FDRC0 | FUNCTION  |
|-------|-------|---|
| 1     | 1     | Maximum speed calculated control. The required duty cycle for remote temperature and local temperature is calculated respectively. The larger value is used to control the fan.   |
| 1     | 0     | Auto remote-temperature-fan control. The PWM duty cycle is controlled by the remote temperature. Power-on default mode.   |
| 0     | 0     | Software DCY control. Host writes DCY register to set the PWM duty cycle directly.  |
| 0     | 1     | Software RPM control. Host writes the TACH setting register with the value corresponding to the desired RPM. The device measures the actual RPM and adjusts the PWM duty cycle to maintain the fan speed to the target value. |

**Configuration Register 2 (Address 0x01, Value After Power-On Reset = 0x3D)**

| BIT | NAME      | R/W | DEFAULT | DESCRIPTION   |
|-----|-----------|-----|---------|---|
| 7   | RST       | R/W | 0       | Reset bits. RST = 1 resets the device. Self-clears after reset. Always read '0'. Power-on default = 0. Reset is immediate on rising edge of SCLK of data LSB with no acknowledge.   |
| 6   | PSVIE     | R/W | 0       | LPSV enable bit. Power-on default = 0. When LPSVIE = 1, the LPSV interrupt is enabled and an interrupt is generated when LPSV = 1. When LPSVIE = 0, LPSV is disabled and LPSV = 1 does not cause an interrupt.  |
| 5   | RTOIE     | R/W | 1       | Remote temperature interrupt enable bit. When RTIE = 1, the remote temperature interrupt is enabled and RTO = 1 causes an interrupt. When RTIE = 0, the remote temperature interrupt is disabled and RTO = 1 does not generate an interrupt. Power-on default = 1, except when a remote sensor failure is detected at power-on.   |
| 4   | LTOIE     | R/W | 1       | Local temperature interrupt enable bit. Power-on default = 1. When LTIE = 1, the local temperature interrupt is enabled and LTO = 1 causes an interrupt. When LTIE = 0, the local temperature interrupt is disabled and LTO = 1 does not generate an interrupt.   |
| 3   | RTFIE     | R/W | 1       | Remote sensor failure interrupt enable bit. Power-on default = 1. When RTFIE = 1, the remote sensor failure interrupt is enabled and RTF = 1 causes an interrupt through the SMBALERT pin. When RTFIE = 0, the remote sensor failure interrupt is disabled and RTF = 1 does not generate an interrupt through the SMBALERT pin.   |
| 2   | TACH-EN   | R/W | 1       | Setting this bit to '1' enables the TACH input. Clearing ('0') disables the TACH input and freezes the counter. Power-on default = 1. If TACH-EN is cleared, TACH-MODE must be set ('1').   |
| 1   | TACH-MODE | R/W | 0       | When the TACH-MODE bit is cleared ('0'), the PWM-Out pin is forced ON during RPM measurement, and internal correction circuitry is enabled to correct the error caused by this extra duty cycle. Making TACH-MODE = 0 for the fans that are switched ON/OFF directly by the PWM requires PWM ON to provide TACH pulses. In the software RPM mode, the PWM-Out is forced to 30% duty cycle if the calculated duty cycle is less than 30% when TACH-MODE = 0. In all other modes the PWM-Out is forced to 0% if the calculated duty cycle is less than 7%. When the TACH mode is set ('1'), the internal correction circuit is disabled and PWM-Out is not forced ON. Instead, the PWM-Out pin is completely controlled by the value of the DCY register, just as in normal operation. Setting the TACH-MODE bit ('1') when the fans can provide TACH pulses output regardless the status of the PWM-Out pin. The TACH mode must be '1' for any fan which is powered directly by dc power, such as a four-wire fan. Power-on default = 0. (See the <a href="#">TACH-DATA Register</a> section for details.) |
| 0   | PWM-EN    | R/W | 1       | Setting this bit to '1' enables the PWM-Out pin. Clearing ('0') disables the PWM-Out pin (H-Z). Power-on default = 1.   |

**Configuration Register 3 (Address 0x3F, Value After Power-On Reset = 0x82)**

| BIT | NAME                 | R/W | DEFAULT | DESCRIPTION   |
|-----|----------------------|-----|---------|---|
| 7   | THERM-FAN-EN         | R/W | 1       | Setting this bit to '1' enables the fan to run at full-speed when the THERM pin as an output) is asserted low. This configuration allows the system to be run in performance mode. Clearing this bit to '0' disables the fan from running at full-speed whenever the THERM pin (as an output) is asserted low. This configuration allows the system to run in silent mode. Note that this bit has no effect whenever THERM is pulled low as an input. The fan always runs at full speed when the THERM pin is pulled low as an input. Power-on default = 1. |
| 6   | Reserved             | R   | 0       | Read-back '0'.  |
| 5   | Reserved             | R   | 0       | Read-back '0'.  |
| 4   | Reserved             | R   | 0       | Read-back '0'.  |
| 3   | Part Revision Number | R   | 0       | 0, bit 3 (MSB) of 4-bit revision number.  |
| 2   | Part Revision Number | R   | 0       | 0, bit 2 of revision number.  |
| 1   | Part Revision Number | R   | 1       | 0, bit 1 of revision number.  |
| 0   | Part Revision Number | R   | 0       | 0, bit 0 (LSB) of revision number.  |

**Configuration Register 4 (Address 0x04, Value After Power-On Reset = 0x08)**

| BIT | NAME      | R/W | DEFAULT | DESCRIPTION   |
|-----|-----------|-----|---------|---|
| 7   | MODE      | R/W | 0       | Required configure bit: User must write a 1 to this location.   |
| 6   | PSPR      | R/W | 0       | Number of pulses per revolution of the fan. Power-on default = 0. PLSPR = 0 for two pulses/revolution (default), PLSPR = 1 for four pulses per revolution.  |
| 5   | TACH-FAST | R/W | 0       | When TACH-FAST = 1, the TACH data reading is updated every 250ms. This monitor is the fast RPM monitor. When TACH-FAST = 0, the TACH data reading is updated every second. Default = 0, power-on default = 0. |
| 4   | OVREN     | R/W | 0       | Setting this bit to '1' enables the $\overline{\text{OVR}}$ pin. Clearing this bit ('0') disables the $\overline{\text{OVR}}$ pin (high-impedance). Default = 0.  |
| 3   | Reserved  | R   | 1       | Read back '1'.  |
| 2   | Reserved  | R   | 0       | Read-back '0'.  |
| 1   | Reserved  | R   | 0       | Read-back '0'.  |
| 0   | Reserved  | R   | 0       | Read-back '0'.  |

Writing the reserved bit has no effect.

## DEVICE STATUS REGISTERS

Reading the status registers clears the appropriate status bit. Status register bits are sticky (except the RTF bit). Whenever a status bit is set, indicating an out-of-limit condition, it remains set until the event that caused it is resolved and the status register is read. The status bit can only be cleared by reading the status register after the event is resolved. All bits are cleared when reading the register, and all bits are reasserted if the out-of limit condition still exists on the next monitoring cycle, unless otherwise noted.

### Status Register 1 (Address 0x02, Value After Power-On or Reset = 0x00)

| BIT | NAME      | R/W | DEFAULT | DESCRIPTION   |
|-----|-----------|-----|---------|---|
| 7   | LTL       | R   | 0       | LTL = 1 when the local temperature is less than or equal to the value of the Local-Low-Temp-Limit register. Otherwise, LTL = 0. If the local temperature is still outside the local temperature low limit, this bit reasserts on the next monitoring cycle.   |
| 6   | LTH       | R   | 0       | LTH = 1 when the local temperature is greater than or equal to the value of the Local-High-Temp-Limit register. Otherwise, LTH = 0. If the local temperature is still outside the local temperature high limit, this bit reasserts on the next monitoring cycle.  |
| 5   | RTF       | R   | 0       | Remote sensor-failure interrupt. RTF = 1 when the remote temperature sensor fails (short- or open-circuit). RTF = 0 when the remote sensor is in normal condition. When RTF = 1, the $\overline{\text{OVR}}$ pin is asserted and the remote temperature data register is set to $-128^{\circ}\text{C}$ .<br>RTF = 1 also generates an interrupt through the $\overline{\text{SMBALERT}}$ pin if an interrupt is enabled (RTFIE = 1). Once RTF is set ('1'), it always remains ('1') until power-on reset or software reset occurs, whether or not the failure condition continues. Reading the status register does not clear the RTF bit.  |
| 4   | R-THERM   | R   | 0       | Remote temperature over the remote THERM limit flag. R-THERM = 1 when the temperature is greater than the value of the Remote-THERM-Limit register. Otherwise, R-THERM = 0. When R-THERM = 1, the $\overline{\text{THERM}}$ pin goes low. It also generates a THERM interrupt if THERMOVIE = 1. This bit is cleared on a read of <a href="#">Status Register 1</a> . Once cleared, this bit is not reasserted until the remote temperature falls 5°C below this THERM limit, even if the THERM condition persists. Refer to the <a href="#">THERM Pin and External Hardware Control</a> section.  |
| 3   | RTL       | R   | 0       | RTL = 1 when the remote temperature is less than or equal to the value of the Remote-Low-Temp-Limit register. Otherwise, RTL = 0. If the remote temperature is still beyond the remote temperature low limit, this bit reasserts on the next monitoring cycle.  |
| 2   | RTH       | R   | 0       | RTH = 1 when the remote temperature is greater than or equal to the value of Remote-High-Temp-Limit register. Otherwise, RTH = 0. If the remote temperature is still beyond the remote temperature high limit, this bit reasserts on the next monitoring cycle.   |
| 1   | FANS      | R   | 0       | Fan-slow flag. FANS = 1 if the TACH data are greater than or equal to the value of the TACH-Low-Limit register. This bit indicates if the fan becomes stuck or goes under the minimum speed. FANS = 0 if the TACH data are smaller than the TACH low limit. This bit is cleared ('0') only after reading this register, and reasserts '1' in the next monitoring if a fan-slow is detected. After spin-up, FANS is set ('1') even if the TACH data are less than the TACH low limit until the register is read. FANS = 1 generates a fan out-of-range interrupt through the $\overline{\text{SMBALERT}}$ pin if fan out-of-range is enabled (FANIE = 1). Five consecutive fan-slow events result in a <i>FAN FAILURE</i> status; which asserts the $\overline{\text{FAN-FAULT}}$ pin low. See the <a href="#">FAN-FAULT PIN</a> section for details. Note that a FANS (fan-slow) detection is not performed during spin-up. |
| 0   | RPM-ALARM | R   | 0       | RPM-ALARM = 1 when the TACH data are less than or equal to the value of the TACH-High-Limit register. This means the RPM is over the maximum limit defined by the TACH high limit. Otherwise, RPM-ALARM = 0. This bit is cleared when reading this register. Once cleared, this bit is not reasserted on the next monitoring cycle even if the condition still persists. This bit may be reasserted only if the RPM drops below the allowed maximum speed. RPM-ALARM = 1 generates a fan out-of-range interrupt through the $\overline{\text{SMBALERT}}$ pin if fan out-of-range is enabled (FANIE = 1), but does not cause an interrupt through the $\overline{\text{FAN-FAULT}}$ pin.   |

**Status Register 2 (Address 0x03, Value After Power-On or Reset = 0x00)**

| BIT | NAME     | R/W | DEFAULT | DESCRIPTION   |
|-----|----------|-----|---------|---|
| 7   | THERM-IN | R   | 0       | Status of the $\overline{\text{THERM}}$ pin as an input. When this input is pulled low, THERM-IN = 1, and the fan is driven at full speed. This bit is cleared when reading this register and be written to '1' if the pin persists "pulled-low".   |
| 6   | L-THERM  | R   | 0       | Local temperature over the local THERM limit flag. L-THERM = 1 when the local temperature is greater than the value of the Local-THERM-Limit register. Otherwise, L-THERM = 0. When L-THERM is set to 1, the $\overline{\text{THERM}}$ pin goes low. It also generates a THERM interrupt through the $\overline{\text{SMBALERT}}$ pin, if enabled (THERMOVIE = 1). This bit is cleared on a read of <a href="#">Status Register 1</a> . Once cleared, this bit is not reasserted until the temperature falls 5°C below the THERM limit, even if the THERM condition persists. Refer to the <a href="#">THERM Pin and External Hardware Control</a> section. |
| 5   | LPSV     | R   | 0       | Active control temperature below the PSV (passive cooling) temperature flag. This bit is set to '1' when the active control temperature is equal to or below the PSV temperature. Otherwise, this bit is cleared ('0'). LPSV = 1 generates a PSV interrupt on $\overline{\text{SMBALERT}}$ , if enabled (PSVIE = 1). This bit is cleared when reading this register. If the active control temperature remains equal to or below the PSV temperature, this bit reasserts on the next monitoring cycle.  |
| 4   | LTC      | R   | 0       | Local temperature over the local critical temperature flag. This bit is set ('1') when the local temperature is equal to or above the local critical temperature. LTC = 0 if the local critical temperature is below this value. LTC = 1 asserts the $\overline{\text{OVR}}$ pin low and generates an LTC interrupt (non-maskable) though the $\overline{\text{SMBALERT}}$ pin. This bit is cleared when reading this register. If the over-critical limit condition persists, this bit reasserts on the next monitoring cycle.   |
| 3   | RTC      | R   | 0       | Remote temperature over the remote critical temperature flag. This bit is set to '1' when the remote temperature is equal to or above the remote critical temperature. RTC = 0 if the remote critical temperature is below this value. RTC = 1 asserts the $\overline{\text{OVR}}$ pin low and generates an RTC interrupt (non-maskable) though the $\overline{\text{SMBALERT}}$ pin. This bit is cleared when reading this register. If the over-critical limit condition persists, this bit reasserts on next monitoring cycle.   |
| 2   | Reserved | R   | 0       | Reserved. Reading returns '0'.  |
| 1   | Reserved | R   | 0       | Reserved. Reading returns '0'.  |
| 0   | Reserved | R   | 0       | Reserved. Reading returns '0'.  |

**FAN CONTROLLER REGISTERS****DCY (Duty Cycle) Register (Address 0x22, Value After Power-On or Reset = 0x55)**

| BIT     | NAME       | DEFAULT | DESCRIPTION |            |
|---------|------------|---------|-------------|------------|
|         |            |         | DCY CODE    | DUTY CYCLE |
| 7 (MSB) | DCY7 (MSB) | 0       |             |            |
| 6       | DCY6       | 1       | 0x00        | 0%         |
| 5       | DCY5       | 0       | 0x01        | 0.392%     |
| 4       | DCY4       | 1       | ... ..      | ... ..     |
| 3       | DCY3       | 0       | 0x40        | 25%        |
| 2       | DCY2       | 1       | ... ..      | ... ..     |
| 1       | DCY1       | 0       | 0x80        | 50%        |
| 0       | DCY0       | 1       | ... ..      | ... ..     |
|         |            |         | 0xFF        | 100%       |

The DCY register stores the value of the PWM duty cycle, 0x00 corresponds to 0%, and 0xFF to 100%. 1LSB corresponds to 0.392%. Power-on default = 0x55, 33.2%.

In a read operation, with the two following exceptions, the returned data are the actual duty cycle (DCY) value driving the PWM-Out pin:

- When TACH-MODE = 0 and the system is in software-RPM control mode, if the calculated duty cycle is less than 30%, the returned value is the calculated value, not the actual PWM-OUT pin duty cycle which is forced to 30%.
- When TACH-MODE = 0 and the system is in software DCY-control mode or Auto Temperature-Fan mode, if the calculated duty cycle is less than 7%, the returned value is the calculated value, not the actual PWM-OUT pin duty cycle which is forced to 0%.



In a write operation, the data written are the actual DCY driving the PWM-Out pin in the software DCY control mode. However, in all other control modes, the data being written are not used to drive the PWM. Instead, it is stored in a temporary register, and controls the PWM immediately after the control mode is changed to the software DCY control mode.

### Fan Characteristics Register (Address 0x20, Value After Power-On or Reset = 0x1D)

| BIT | NAME   | DEFAULT | DESCRIPTION   |               |               |                                      |
|-----|--------|---------|---|---------------|---------------|--------------------------------------|
| 7   | FSPD   | 0       | Fan Spin Disable Bit<br>When FSPD = 1, the fan spin-up process is disabled.<br>When FSPD = 0, the fan spin-up process is enabled. |               |               |                                      |
| 6   | 0      | 0       | Reserved  |               |               |                                      |
| 5   | PWM2   | 0       | PWM Frequency Bits  |               |               |                                      |
| 4   | PWM1   | 1       | <b>PWM2</b>   | <b>PWM1</b>   | <b>PWM0</b>   | <b>PWM Frequency</b>                 |
| 3   | PWM0   | 1       | When PWM-MODE pin is floating or tied to V <sub>DD</sub>  |               |               |                                      |
|     |        |         | 0   | 0             | 0             | 10Hz                                 |
|     |        |         | 0   | 0             | 1             | 15Hz                                 |
|     |        |         | 0   | 1             | 0             | 23Hz                                 |
|     |        |         | 0   | 1             | 1             | 30Hz (Default)                       |
|     |        |         | 1   | 0             | 0             | 38Hz                                 |
|     |        |         | 1   | 0             | 1             | 47Hz                                 |
|     |        |         | 1   | 1             | 0             | 62Hz                                 |
|     |        |         | 1   | 1             | 1             | 94Hz                                 |
|     |        |         | When PWM-MODE pin is tied to GND  |               |               |                                      |
|     |        |         | 0   | 0             | 0             | 1kHz                                 |
|     |        |         | 0   | 0             | 1             | 10kHz                                |
|     |        |         | 0   | 1             | 0             | 20kHz                                |
|     |        |         | 0   | 1             | 1             | 25kHz (Default)                      |
|     |        |         | 1   | 0             | 0             | 30kHz                                |
|     |        |         | 1   | 0             | 1             | 40kHz                                |
|     |        |         | 1   | 1             | 0             | 40kHz                                |
|     |        |         | 1   | 1             | 1             | 40kHz                                |
| 2   | STIME2 | 1       | Spin-Up Time Bit  |               |               |                                      |
| 1   | STIME1 | 0       | <b>STIME2</b>   | <b>STIME1</b> | <b>STIME0</b> | <b>Spin-Up Time<br/>(in Seconds)</b> |
| 0   | STIME0 | 1       | 0   | 0             | 0             | 0.2                                  |
|     |        |         | 0   | 0             | 1             | 0.4                                  |
|     |        |         | 0   | 1             | 0             | 0.6                                  |
|     |        |         | 0   | 1             | 1             | 0.8                                  |
|     |        |         | 1   | 0             | 0             | 1                                    |
|     |        |         | 1   | 0             | 1             | 2 (Default)                          |
|     |        |         | 1   | 1             | 0             | 4                                    |
|     |        |         | 1   | 1             | 1             | 8                                    |

This register specifies the PWM frequency and the fan spin-up functions.

**Fan Spin Disable Bit: FSPD**

This bit enables or disables the spin-up function.

**PWM Frequency Bits: [PWM2:PWM0]**

These bits specify the PWM frequency; the high range (1kHz–40kHz) has a default value of 25kHz, and the low range (10Hz–94Hz) has a default value of 30Hz. The clock frequency is 3.2MHz. The PWM-MODE pin determines which range is selected. When the PWM mode is tied to ground, the high range is selected; otherwise, the low range is selected.

**Spin-Up Time Bits: [STIME2:STIME0]**

These bits specify a predetermined time period, or spin-up time, during which the 100% duty cycle is applied to start the fan spinning. These bits are ignored when FSPD = 1.

**DCY-LOW-TEMP Register (Address 0x21, Value After Power-On or Reset = 0x55, 33.2%)**

| Bit 7 (MSB) | Bit 6   | Bit 5   | Bit 4   | Bit 3   | Bit 2   | Bit 1   | Bit 0 (LSB) |
|-------------|---------|---------|---------|---------|---------|---------|-------------|
| L-DCY 7     | L-DCY 6 | L-DCY 5 | L-DCY 4 | L-DCY 3 | L-DCY 2 | L-DCY 1 | L-DCY 0     |

This register specifies the duty cycle in Auto Temp-Fan Control mode when the control temperature is less than or equal to the value of the Low-Temp bits in the TEMP-FAN Control Register.

**Local TEMP-FAN Control Register (Address 0x24, Value After Power-On or Reset = 0x41)**

| BIT | NAME    | DEFAULT | DESCRIPTION                         |         |         |         |                                      |                 |
|-----|---------|---------|-------------------------------------|---------|---------|---------|--------------------------------------|-----------------|
| 7   | L-TEMP4 | 0       | Low Temperature Bit of Local Sensor |         |         |         |                                      |                 |
| 6   | L-TEMP3 | 1       | L-TEMP4                             | L-TEMP3 | L-TEMP2 | L-TEMP1 | L-TEMP0                              | Low Temp        |
| 5   | L-TEMP2 | 0       | 0                                   | 0       | 0       | 0       | 0                                    | 0°C             |
| 4   | L-TEMP1 | 0       | 0                                   | 0       | 0       | 0       | 1                                    | 4°C             |
| 3   | L-TEMP0 | 0       | 0                                   | 0       | 0       | 1       | 0                                    | 8°C             |
|     |         |         | 0                                   | 0       | 0       | 1       | 1                                    | 12°C            |
|     |         |         | ...                                 | ...     | ...     | ...     | ...                                  | ...             |
|     |         |         | 0                                   | 1       | 0       | 0       | 0                                    | 32°C (Default)  |
|     |         |         | ...                                 | ...     | ...     | ...     | ...                                  | ...             |
|     |         |         | 1                                   | 1       | 1       | 1       | 0                                    | 120°C           |
|     |         |         | 1                                   | 1       | 1       | 1       | 1                                    | 124°C           |
| 2   | L-SLP2  | 0       | Slope Bits of Local Sensor          |         |         |         |                                      |                 |
| 1   | L-SLP1  | 0       |                                     |         | Slope   |         | Temp Range in °C (DCY 33.3% to 100%) |                 |
| 0   | L-SLP0  | 1       | L-SLP2                              | L-SLP1  | L-SLP0  | LSB/°C  | %/°C                                 |                 |
|     |         |         | 0                                   | 0       | 0       | 32      | 12.55                                | 5.31            |
|     |         |         | 0                                   | 0       | 1       | 16      | 6.27                                 | 10.62 (default) |
|     |         |         | 0                                   | 1       | 0       | 8       | 3.14                                 | 21.25           |
|     |         |         | 0                                   | 1       | 1       | 4       | 1.57                                 | 42.5            |
|     |         |         | 1                                   | 0       | 0       | 2       | 0.78                                 | 85              |

This register specifies the parameters of the local Temperature-Fan Control mode.

**Low Temperature Bits: [L-TEMP4:L-TEMP0]**

These bits specify the low temperature of the local temperature fan control loop. The calculated duty cycle is equal to the value of the DCY-LOW-TEMP register when the local temperature is less than or equal to the value defined by bits [L-TEMP4:L-TEMP0]. Refer to the [Auto Temperature Fan Mode](#) section for details.

**Slope Bits: [L-SLP2:L-SLP0]**

These bits define the increment of the duty cycle when the local temperature rises every 1°C in the auto local temperature-fan control.

**Remote TEMP-FAN Control Register (Address 0x25, Value After Power-On or Reset = 0x61)**

| BIT | NAME    | DEFAULT | DESCRIPTION                          |         |         |         |         |   |
|-----|---------|---------|--------------------------------------|---------|---------|---------|---------|---|
|     |         |         | Low Temperature Bit of Remote Sensor |         |         |         |         |   |
| 7   | R-TEMP4 | 0       |                                      |         |         |         |         |   |
| 6   | R-TEMP3 | 1       | R-TEMP4                              | R-TEMP3 | R-TEMP2 | R-TEMP1 | R-TEMP0 | Low Temp                                |
| 5   | R-TEMP2 | 1       | 0                                    | 0       | 0       | 0       | 0       | 0°C                                     |
| 4   | R-TEMP1 | 0       | 0                                    | 0       | 0       | 0       | 1       | 4°C                                     |
| 3   | R-TEMP0 | 0       | 0                                    | 0       | 0       | 1       | 0       | 8°C                                     |
|     |         |         | 0                                    | 0       | 0       | 1       | 1       | 12°C                                    |
|     |         |         | ...                                  | ...     | ...     | ...     | ...     | ...                                     |
|     |         |         | 0                                    | 1       | 1       | 0       | 0       | 48°C (Default)                          |
|     |         |         | ...                                  | ...     | ...     | ...     | ...     | ...                                     |
|     |         |         | 1                                    | 1       | 1       | 1       | 0       | 120°C                                   |
|     |         |         | 1                                    | 1       | 1       | 1       | 1       | 124°C                                   |
|     |         |         | Slope Bits of Remote Sensor          |         |         |         |         |   |
| 2   | R-SLP2  | 0       |                                      |         |         | Slope   |         | Temp Range in °C<br>(DCY 33.3% to 100%) |
| 1   | R-SLP1  | 0       | R-SLP2                               | R-SLP1  | R-SLP0  | LSB/°C  | %/°C    |   |
| 0   | R-SLP0  | 1       | 0                                    | 0       | 0       | 32      | 12.55   | 5.31                                    |
|     |         |         | 0                                    | 0       | 1       | 16      | 6.27    | 10.62 (default)                         |
|     |         |         | 0                                    | 1       | 0       | 8       | 3.14    | 21.25                                   |
|     |         |         | 0                                    | 1       | 1       | 4       | 1.57    | 42.5                                    |
|     |         |         | 1                                    | 0       | 0       | 2       | 0.78    | 85                                      |

This register specifies the parameters of the Remote Temperature-Fan Control mode.

**Low Temperature Bits: [R-TEMP 4:R-TEMP0]**

These bits specify the low temperature of the auto remote temperature-fan control. In this control mode, the duty cycle is equal to the value of the DCY-LOW-TEMP register when the remote temperature is less than or equal to the value defined by bits [R-TEMP4:R-TEMP0].

**Slope Bits: [R-SLP2:R-SLP0]**

These bits define the increment of the duty cycle when the remote temperature rises every 1°C in the auto remote temperature-fan control.

**DCY-RAMP Register (Address 0x23, Value After Power-On or Reset = 0x52)**

| BIT | NAME  | DEFAULT | DESCRIPTION   |   |       |   |   |              |                 |                       |  |
|-----|-------|---------|---|---|-------|---|---|--------------|-----------------|-----------------------|--|
| 7   | RAMPE | 0       | Ramp Enable Bit. Ignored in software-RPM control. When RAMPE = 1, Ramp is enabled. The DCY changes to the desired value gradually according to STEP bits and RATE bits. When RAMPE = 0, Ramp is disabled. DCY changes to the desired target value immediately. Default = 0. |   |       |   |   |              |                 |                       |  |
| 6   | STEP1 | 1       | Adjustment Step Bits.   |   |       |   |   |              |                 |                       |  |
| 5   | STEP0 | 0       |   |   |       |   |   | <b>STEP1</b> | <b>STEP0</b>    | <b>Max Adjustment</b> |  |
|     |       |         |   |   |       |   | 0 | 0            | 1/256           |                       |  |
|     |       |         |   |   |       |   | 0 | 1            | 2/256           |                       |  |
|     |       |         |   |   |       |   | 1 | 0            | 4/256 (Default) |                       |  |
|     |       |         | 1   | 1 | 8/256 |   |   |              |                 |                       |  |
| 4   | RATE2 | 1       | DCY Updating Rate Bits in Auto Temp-Fan Control Mode.   |   |       |   |   |              |                 |                       |  |
| 3   | RATE1 | 0       |   |   |       |   |   | <b>RATE2</b> | <b>RATE1</b>    | <b>RATE0</b>          | <b>DCY Updates/Sec (Auto Temp-Fan CTR)</b> |
| 2   | RATE0 | 0       |   |   |       |   | 0 | 0            | 0               | 0.0625                |  |
|     |       |         |   |   |       |   | 0 | 0            | 1               | 0.125                 |  |
|     |       |         |   |   |       |   | 0 | 1            | 0               | 0.25                  |  |
|     |       |         |   |   |       |   | 0 | 1            | 1               | 0.5                   |  |
|     |       |         |   |   |       |   | 1 | 0            | 0               | 1 (Default)           |  |
|     |       |         |   |   |       |   | 1 | 0            | 1               | 2                     |  |
|     |       |         |   |   |       |   | 1 | 1            | 0               | 4                     |  |
|     |       |         | 1   | 1 | 1     | 8 |   |              |                 |                       |  |
| 1   | THRE1 | 1       | Adjustment Threshold Bits in Auto Temp-Fan Control Mode.  |   |       |   |   |              |                 |                       |  |
| 0   | THRE0 | 0       |   |   |       |   |   | <b>THRE1</b> | <b>THRE0</b>    | <b>Threshold</b>      |  |
|     |       |         |   |   |       |   | 0 | 0            | 1/256           |                       |  |
|     |       |         |   |   |       |   | 0 | 1            | 2/256           |                       |  |
|     |       |         |   |   |       |   | 1 | 0            | 3/256 (Default) |                       |  |
|     |       |         | 1   | 1 | 4/256 |   |   |              |                 |                       |  |

This register is ignored in the software DCY control mode. This register determines how fast the PWM duty cycle is adjusted to the desired value when the temperature changes in the automatic temperature-fan control, or when the fan speed varies from the predetermined value in the software RPM control mode.

**RAMPE: Ramp Enable bit.**

This bit is ignored in the software RPM control mode. The duty cycle always gradually ramps to the target value in Software-RPM mode.

**Adjustment Step Bits: [STEP1:STEP0]**

In the software RPM control, these bits specify the amount that duty cycle changes each time.

In the auto fan temperature control mode, these bits are ignored when RAMPE = 0. When RAMPE = 1, these bits define the maximum amount that the duty cycle can change each time if the duty cycle needs to be adjusted. For example, if the current value of the duty cycle is 50% and the desired value is 75%, the total required increment is 25%. If the step is 1/256 (bits [STEP1:STEP0] = '00'), then the duty cycle increases by 1/256 (0.39%) each time the duty cycle is updated, and the duty cycle reaches the desired value (75%) after 64 updates. This takes eight seconds if the update rate is 8/sec (bits [RATE2:RATE0] = '111'), and takes 64 seconds if the update rate is 1/sec. (bits [RATE2:RATE0] = '100'). However, if the step is 2/256, then the time reduces to half. If the required adjustment is less than the value specified by step bits, the actual required value is used. For example, if the current duty cycle is 50%, the required value is 73%, and the step is 4/256, a total of 15 updates are needed. The duty cycle increases 21.875% after the first 14 updates, and increases 1.125% in the last update.

### Updating Rate Bits: [RATE2:RATE0]

These bits define the rate (time/sec) that the duty cycle is recalculated in the auto temp-fan control mode. The value of [RATE2:RATE0] does not affect the ADC conversion rate. Both external and local temperature readings are updated continuously, even if the DCY is updated slowly.

The RPM monitoring rate and DCY updating rate in the software RPM control mode are specified by the TACH-FAST bit of [Configuration Register 3](#). The [RATE2:RATE0] bits are ignored in this mode.

### Adjustment Threshold Bits: [THRE1:THRE0]

These bits determine the threshold of the duty cycle adjustment in the auto temp-fan control mode, and are ignored in all other modes. When the auto fan temperature control loop is active, the duty cycle is not adjusted if the required adjustment is less than or equal to the threshold defined by bits [THRE1:THRE0]. This provides a hysteresis to improve the control stability. For example, if the current duty cycle is 50% and the desired value is 71%, the total required increment is 21%. If the step is 4/256 and the threshold is 2/256 (0.78%), the duty cycle reaches 70.31% after 13 updates, 0.6875% less than the desired value. This difference is less than the threshold (0.78%); therefore, the adjustment stops. However, if the threshold is 1/256 (0.39%), then one more update occurs, and the duty cycle increases by 0.39% (1LSB) because 0.39% (1LSB) < 0.6875% < 0.78% (2LSB). Finally, the duty cycle reaches 70.7%, 0.3% less than the desired value because of the limitation of 8-bit resolution.

Note that bits [THRE1:THRE0] are ignored in the software RPM control. In this mode, the DCY adjustment stops when the difference between the TACH data and TACH setting is less than or equal to 0x000A.

## TEMPERATURE DATA REGISTERS

### Local Temperature Data Register Bits: [LT10:LT0]

Bits [LT10:LT0] are the newest local temperature reading.

### Remote Temperature Register Bits: [RT10:RT0]

Bits [RT10:RT0] are the newest remote temperature reading.

#### Temp-DATA-LByte Register (Address 0x06, Value After Power-On or Reset = 0x00)

| Bit 7 (MSB) | Bit 6 | Bit 5     | Bit 4 | Bit 3 | Bit 2 | Bit 1 | Bit 0 (LSB) |
|-------------|-------|-----------|-------|-------|-------|-------|-------------|
| LT2         | LT1   | LT0 (LSB) | 0     | 0     | RT2   | RT1   | RT0         |

Bits [LT2:LT0] are the three LSBs of the newest local temperature reading.

Bits [RT2:RT0] are the three LSBs of the newest remote temperature reading.

#### Local-Temp-DATA-HByte Register (Address 0x0A, Value After Power-On or Reset = 0x80, –128°C)

| Bit 7 (MSB) | Bit 6 | Bit 5 | Bit 4 | Bit 3 | Bit 2 | Bit 1 | Bit 0 (LSB) |
|-------------|-------|-------|-------|-------|-------|-------|-------------|
| LT10 (MSB)  | LT9   | LT8   | LT7   | LT6   | LT5   | LT4   | LT3         |

Bits [LT10:LT3] are the eight MSBs of the newest local temperature reading.

**Remote-Temp-DATA-HByte Register (Address 0x0B, Value After Power-On or Reset = 0x80, –128°C)**

| Bit 7 (MSB) | Bit 6 | Bit 5 | Bit 4 | Bit 3 | Bit 2 | Bit 1 | Bit 0 (LSB) |
|-------------|-------|-------|-------|-------|-------|-------|-------------|
| RT10 (MSB)  | RT9   | RT8   | RT7   | RT6   | RT5   | RT4   | RT3         |

Bits [RT10:RT3] are the eight MSBs of the newest remote temperature reading.

It is important to note that temperature can be read as an 8-bit value (with 1°C resolution) from the Temp-DATA-Hbyte register, or as an 11-bit value (with 0.125°C resolution) from the Temp-DATA-LByte and Temp-DATA-HByte registers. If only 1°C resolution is required, the temperature readings can be read back at any time and in no particular order. If the 11-bit measurement is required, this involves a two-register read for each measurement. The Temp-DATA-LByte register (0x06) should be read first. This condition causes all temperature reading registers to be frozen until the [Remote-Temp-DATA-HByte Register \(0x0B\)](#) is read. This architecture also prevents an MSB reading from being updated while the 3LSBs are being read, and vice versa. See the [Reading Temperature Data](#) section for details.

**TEMPERATURE LIMIT REGISTERS**

All temperature limits are 11 bits with three LSBs always '0'. Only eight MSBs need to be set in one register for each limit.

**Local-High-Temp-Limit Register (Address 0x14, Value After Power-On or Reset = 0x3C, +60°C)**

| Bit 7 (MSB)  | Bit 6 | Bit 5 | Bit 4 | Bit 3 | Bit 2 | Bit 1 | Bit 0 (LSB) |
|--------------|-------|-------|-------|-------|-------|-------|-------------|
| LT-H10 (MSB) | LT-H9 | LT-H8 | LT-H7 | LT-H6 | LT-H5 | LT-H4 | LT-H3       |

These bits are the upper bounds of the local temperature.

**Local-Low-Temp-Limit Register (Address 0x15, Value After Power-On or Reset = 0x00, 0°C)**

| Bit 7 (MSB)  | Bit 6 | Bit 5 | Bit 4 | Bit 3 | Bit 2 | Bit 1 | Bit 0 (LSB) |
|--------------|-------|-------|-------|-------|-------|-------|-------------|
| LT-L10 (MSB) | LT-L9 | LT-L8 | LT-L7 | LT-L6 | LT-L5 | LT-L4 | LT-L3       |

These bits are the lower bounds of the local temperature.

**Local-THERM-Limit Register (Address 0x16, Value After Power-On or Reset = 0x46, +70°C)**

| Bit 7 (MSB)  | Bit 6 | Bit 5 | Bit 4 | Bit 3 | Bit 2 | Bit 1 | Bit 0 (LSB) |
|--------------|-------|-------|-------|-------|-------|-------|-------------|
| LT-T10 (MSB) | LT-T9 | LT-T8 | LT-T7 | LT-T6 | LT-T5 | LT-T4 | LT-T3       |

These bits are the thermal threshold of the local temperature.

**Remote-High-Temp-Limit Register (Address 0x18, Value After Power-On or Reset = 0x50, +80°C)**

| Bit 7 (MSB)  | Bit 6 | Bit 5 | Bit 4 | Bit 3 | Bit 2 | Bit 1 | Bit 0 (LSB) |
|--------------|-------|-------|-------|-------|-------|-------|-------------|
| RT-H10 (MSB) | RT-H9 | RT-H8 | RT-H7 | RT-H6 | RT-H5 | RT-H4 | RT-H3       |

These bits are the upper bounds of the remote temperature.

**Remote-Low-Temp-Limit Register (Address 0x19, Value After Power-On or Reset = 0x00, 0°C)**

| Bit 7 (MSB)  | Bit 6 | Bit 5 | Bit 4 | Bit 3 | Bit 2 | Bit 1 | Bit 0 (LSB) |
|--------------|-------|-------|-------|-------|-------|-------|-------------|
| RT-L10 (MSB) | RT-L9 | RT-L8 | RT-L7 | RT-L6 | RT-L5 | RT-L4 | RT-L3       |

These bits are the lower bounds of the remote temperature.

**Remote-THERM-Limit Register (Address 0x1A, Value After Power-On or Reset = 0x64, +100°C)**

| Bit 7 (MSB)  | Bit 6 | Bit 5 | Bit 4 | Bit 3 | Bit 2 | Bit 1 | Bit 0 (LSB) |
|--------------|-------|-------|-------|-------|-------|-------|-------------|
| RT-T10 (MSB) | RT-T9 | RT-T8 | RT-T7 | RT-T6 | RT-T5 | RT-T4 | RT-T3       |

These bits are the thermal threshold of the remote temperature.

**Local-Critical-Temp Register (Address 0x1B, Value After Power-On or Reset = 0x50, +80°C)**

| Bit 7 (MSB) | Bit 6 | Bit 5 | Bit 4 | Bit 3 | Bit 2 | Bit 1 | Bit 0 (LSB) |
|-------------|-------|-------|-------|-------|-------|-------|-------------|
| LT-C10      | LT-C9 | LT-C8 | LT-C7 | LT-C6 | LT-C5 | LT-C4 | LT-C3       |

These bits are the critical threshold of the local temperature.

**PSV-Temp Register (Address 0x1C, Value After Power-On or Reset = 0x00, 0°C)**

| Bit 7 (MSB) | Bit 6 | Bit 5 | Bit 4 | Bit 3 | Bit 2 | Bit 1 | Bit 0 (LSB) |
|-------------|-------|-------|-------|-------|-------|-------|-------------|
| 0           | 0     | PSV8  | PSV7  | PSV6  | PSV5  | PSV4  | PSV3        |

Bits [PSV10:PSV0] are the passive cooling temperature threshold. Bits PSV10, PSV9, and [PSV2:PSV0] are always '0'. The PSV ranges from 0°C to +64°C.

In the auto fan temperature loop, the fan stops and the duty cycle is forced to 0% when the active temperature is equal to or below the PSV temperature.

**Remote-Critical-Temp Register (Address 0x1D, Value After Power-On or Reset = 0x69, +105°C)**

| Bit 7 (MSB) | Bit 6 | Bit 5 | Bit 4 | Bit 3 | Bit 2 | Bit 1 | Bit 0 (LSB) |
|-------------|-------|-------|-------|-------|-------|-------|-------------|
| RT-C10      | RT-C9 | RT-C8 | RT-C7 | RT-C6 | RT-C5 | RT-C4 | RT-C3       |

Bits [RT-C10:RT-C0] are the critical threshold of the remote temperature.

**TACH-DATA Register****TACH-DATA-LByte Register (Address 0x08, Power-On Default = 0x00)**

| Bit 7 (MSB) | Bit 6      | Bit 5      | Bit 4      | Bit 3      | Bit 2      | Bit 1      | Bit 0 (LSB) |
|-------------|------------|------------|------------|------------|------------|------------|-------------|
| TACH-DATA7  | TACH-DATA6 | TACH-DATA5 | TACH-DATA4 | TACH-DATA3 | TACH-DATA2 | TACH-DATA1 | TACH-DATA0  |

**TACH-DATA-HByte Register (Address 0x09, Power-On Default = 0x00)**

| Bit 7 (MSB) | Bit 6       | Bit 5       | Bit 4       | Bit 3       | Bit 2       | Bit 1      | Bit 0 (LSB) |
|-------------|-------------|-------------|-------------|-------------|-------------|------------|-------------|
| TACH-DATA15 | TACH-DATA14 | TACH-DATA13 | TACH-DATA12 | TACH-DATA11 | TACH-DATA10 | TACH-DATA9 | TACH-DATA8  |

Bits [TACH-DATA15:TACH-DATA0] are the number of clock pulses counted during one fan revolution and represents the period of the fan revolution (refer to the [Fan Speed Measurement](#) section). Reading the TACH data register involves a two-register read. The low byte should be read first. This method causes the high byte to be frozen until both the high and low byte registers have been read from, preventing erroneous TACH readings.

**TACH Setting Register****TACH-SETTING-LByte Register (Address 0x1E, Power-On Default = 0xFF)**

| Bit 7 (MSB)   | Bit 6         | Bit 5         | Bit 4         | Bit 3         | Bit 2         | Bit 1         | Bit 0 (LSB)   |
|---------------|---------------|---------------|---------------|---------------|---------------|---------------|---------------|
| TACH-SETTING7 | TACH-SETTING6 | TACH-SETTING5 | TACH-SETTING4 | TACH-SETTING3 | TACH-SETTING2 | TACH-SETTING1 | TACH-SETTING0 |

**TACH-SETTING-HByte Register (Address 0x1F, Power-On Default = 0xFF)**

| Bit 7 (MSB)    | Bit 6          | Bit 5          | Bit 4          | Bit 3          | Bit 2          | Bit 1         | Bit 0 (LSB)   |
|----------------|----------------|----------------|----------------|----------------|----------------|---------------|---------------|
| TACH-SETTING15 | TACH-SETTING14 | TACH-SETTING13 | TACH-SETTING12 | TACH-SETTING11 | TACH-SETTING10 | TACH-SETTING9 | TACH-SETTING8 |

Bits [TACH-SETTING15:TACH-SETTING0] represent the period of the fan revolution (in the number of clock pulses counted during one revolution), which is equal to the reciprocal of the target fan speed. Refer to the [Fan Speed Measurement](#) section. Software writes this register to set the target RPM in the Software-RPM Control mode. When the TACH-MODE bit (bit 1, 0x02) is cleared ('0'), the TACH setting must be not greater than the value corresponding to the RPM for a 30% duty cycle. When the TACH mode is equal to '1', the TACH setting must be not greater than the value corresponding to the allowed minimum RPM at which the fan properly runs.



**TACH Low Limit Register****TACH-Low-Limit-LByte Register (Address 0x10, Power-On Default = 0xFF)**

| Bit 7 (MSB)     | Bit 6           | Bit 5           | Bit 4           | Bit 3           | Bit 2           | Bit 1           | Bit 0 (LSB)     |
|-----------------|-----------------|-----------------|-----------------|-----------------|-----------------|-----------------|-----------------|
| TACH-Low-Limit7 | TACH-Low-Limit6 | TACH-Low-Limit5 | TACH-Low-Limit4 | TACH-Low-Limit3 | TACH-Low-Limit2 | TACH-Low-Limit1 | TACH-Low-Limit0 |

**TACH-Low-Limit-HByte Register (Address 0x11, Power-On Default = 0xFF)**

| Bit 7 (MSB)      | Bit 6            | Bit 5            | Bit 4            | Bit 3            | Bit 2            | Bit 1           | Bit 0 (LSB)     |
|------------------|------------------|------------------|------------------|------------------|------------------|-----------------|-----------------|
| TACH-Low-Limit15 | TACH-Low-Limit14 | TACH-Low-Limit13 | TACH-Low-Limit12 | TACH-Low-Limit11 | TACH-Low-Limit10 | TACH-Low-Limit9 | TACH-Low-Limit8 |

Bits [TACH-Low-Limit15:TACH-Low-Limit0] are the value that corresponds to the predetermined minimum allowable fan speed (RPM). If the value of the TACH data register is greater than this bound, the fan speed is below the minimum allowed RPM.

**TACH High Limit Register****TACH-High-Limit-LByte Register (Address 0x12, Power-On Default = 0x00)**

| Bit 7 (MSB)      | Bit 6            | Bit 5            | Bit 4            | Bit 3            | Bit 2            | Bit 1            | Bit 0 (LSB)      |
|------------------|------------------|------------------|------------------|------------------|------------------|------------------|------------------|
| TACH-High-Limit7 | TACH-High-Limit6 | TACH-High-Limit5 | TACH-High-Limit4 | TACH-High-Limit3 | TACH-High-Limit2 | TACH-High-Limit1 | TACH-High-Limit0 |

**TACH-High-Limit-HByte Register (Address 0x13, Power-On Default = 0x00)**

| Bit 7 (MSB)       | Bit 6             | Bit 5             | Bit 4             | Bit 3             | Bit 2             | Bit 1            | Bit 0 (LSB)      |
|-------------------|-------------------|-------------------|-------------------|-------------------|-------------------|------------------|------------------|
| TACH-High-Limit15 | TACH-High-Limit14 | TACH-High-Limit13 | TACH-High-Limit12 | TACH-High-Limit11 | TACH-High-Limit10 | TACH-High-Limit9 | TACH-High-Limit8 |

Bits [TACH-High-Limit15:TACH-High-Limit0] are the value that corresponds to the predetermined maximum allowable fan speed (RPM). If the value of the TACH data register is smaller than this bound, the fan speed is above the maximum allowed RPM.

**PACKAGING INFORMATION**

| Orderable Device | Status<br>(1) | Package Type | Package Drawing | Pins | Package Qty | Eco Plan<br>(2) | Lead finish/<br>Ball material<br>(6) | MSL Peak Temp<br>(3) | Op Temp (°C) | Device Marking<br>(4/5) | Samples |
|------------------|---------------|--------------|-----------------|------|-------------|-----------------|--------------------------------------|----------------------|--------------|-------------------------|---------|
| AMC6821SDBQ      | OBSOLETE      | SSOP         | DBQ             | 16   |             | TBD             | Call TI                              | Call TI              | -40 to 125   | AMC<br>6821S            |         |
| AMC6821SDBQR     | ACTIVE        | SSOP         | DBQ             | 16   | 2500        | RoHS & Green    | NIPDAU                               | Level-2-260C-1 YEAR  | -40 to 125   | AMC<br>6821S            | Samples |

(1) The marketing status values are defined as follows:

**ACTIVE:** Product device recommended for new designs.

**LIFEBUY:** TI has announced that the device will be discontinued, and a lifetime-buy period is in effect.

**NRND:** Not recommended for new designs. Device is in production to support existing customers, but TI does not recommend using this part in a new design.

**PREVIEW:** Device has been announced but is not in production. Samples may or may not be available.

**OBSOLETE:** TI has discontinued the production of the device.

(2) **RoHS:** TI defines "RoHS" to mean semiconductor products that are compliant with the current EU RoHS requirements for all 10 RoHS substances, including the requirement that RoHS substance do not exceed 0.1% by weight in homogeneous materials. Where designed to be soldered at high temperatures, "RoHS" products are suitable for use in specified lead-free processes. TI may reference these types of products as "Pb-Free".

**RoHS Exempt:** TI defines "RoHS Exempt" to mean products that contain lead but are compliant with EU RoHS pursuant to a specific EU RoHS exemption.

**Green:** TI defines "Green" to mean the content of Chlorine (Cl) and Bromine (Br) based flame retardants meet JS709B low halogen requirements of <=1000ppm threshold. Antimony trioxide based flame retardants must also meet the <=1000ppm threshold requirement.

(3) MSL, Peak Temp. - The Moisture Sensitivity Level rating according to the JEDEC industry standard classifications, and peak solder temperature.

(4) There may be additional marking, which relates to the logo, the lot trace code information, or the environmental category on the device.

(5) Multiple Device Markings will be inside parentheses. Only one Device Marking contained in parentheses and separated by a "~" will appear on a device. If a line is indented then it is a continuation of the previous line and the two combined represent the entire Device Marking for that device.

(6) Lead finish/Ball material - Orderable Devices may have multiple material finish options. Finish options are separated by a vertical ruled line. Lead finish/Ball material values may wrap to two lines if the finish value exceeds the maximum column width.

**Important Information and Disclaimer:** The information provided on this page represents TI's knowledge and belief as of the date that it is provided. TI bases its knowledge and belief on information provided by third parties, and makes no representation or warranty as to the accuracy of such information. Efforts are underway to better integrate information from third parties. TI has taken and continues to take reasonable steps to provide representative and accurate information but may not have conducted destructive testing or chemical analysis on incoming materials and chemicals. TI and TI suppliers consider certain information to be proprietary, and thus CAS numbers and other limited information may not be available for release.

In no event shall TI's liability arising out of such information exceed the total purchase price of the TI part(s) at issue in this document sold by TI to Customer on an annual basis.

**OTHER QUALIFIED VERSIONS OF AMC6821 :**

- Automotive : [AMC6821-Q1](#)

## NOTE: Qualified Version Definitions:

- Automotive - Q100 devices qualified for high-reliability automotive applications targeting zero defects

**TAPE AND REEL INFORMATION**

**QUADRANT ASSIGNMENTS FOR PIN 1 ORIENTATION IN TAPE**

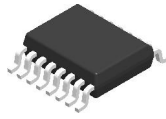

\*All dimensions are nominal

| Device       | Package Type | Package Drawing | Pins | SPQ  | Reel Diameter (mm) | Reel Width W1 (mm) | A0 (mm) | B0 (mm) | K0 (mm) | P1 (mm) | W (mm) | Pin1 Quadrant |
|--------------|--------------|-----------------|------|------|--------------------|--------------------|---------|---------|---------|---------|--------|---------------|
| AMC6821SDBQR | SSOP         | DBQ             | 16   | 2500 | 330.0              | 12.4               | 6.4     | 5.2     | 2.1     | 8.0     | 12.0   | Q1            |

**TAPE AND REEL BOX DIMENSIONS**


\*All dimensions are nominal

| Device       | Package Type | Package Drawing | Pins | SPQ  | Length (mm) | Width (mm) | Height (mm) |
|--------------|--------------|-----------------|------|------|-------------|------------|-------------|
| AMC6821SDBQR | SSOP         | DBQ             | 16   | 2500 | 356.0       | 356.0      | 35.0        |

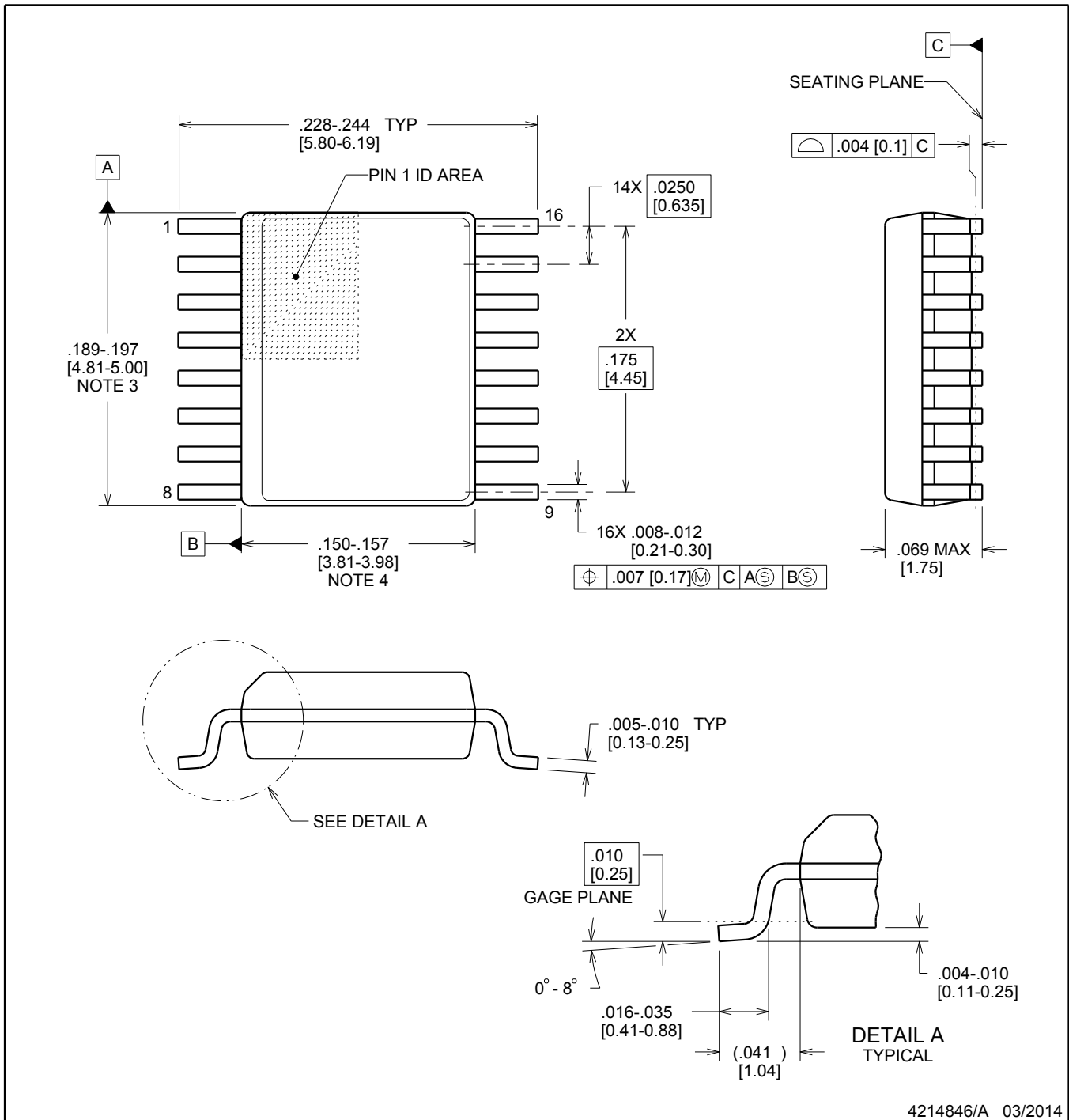


# DBQ0016A

# PACKAGE OUTLINE

## SSOP - 1.75 mm max height

SHRINK SMALL-OUTLINE PACKAGE



4214846/A 03/2014

### NOTES:

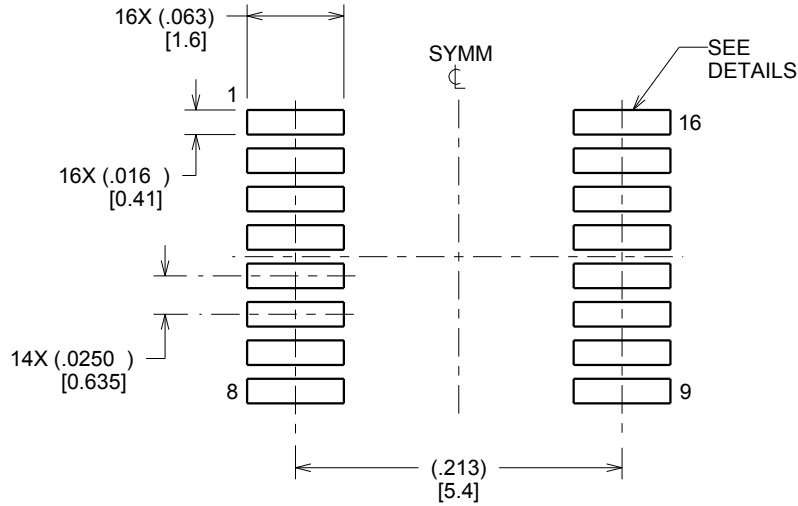
- Linear dimensions are in inches [millimeters]. Dimensions in parenthesis are for reference only. Controlling dimensions are in inches. Dimensioning and tolerancing per ASME Y14.5M.
- This drawing is subject to change without notice.
- This dimension does not include mold flash, protrusions, or gate burrs. Mold flash, protrusions, or gate burrs shall not exceed .006 inch, per side.
- This dimension does not include interlead flash.
- Reference JEDEC registration MO-137, variation AB.

# EXAMPLE BOARD LAYOUT

DBQ0016A

SSOP - 1.75 mm max height

SHRINK SMALL-OUTLINE PACKAGE



LAND PATTERN EXAMPLE  
SCALE:8X



SOLDER MASK DETAILS

4214846/A 03/2014

NOTES: (continued)

- 6. Publication IPC-7351 may have alternate designs.
- 7. Solder mask tolerances between and around signal pads can vary based on board fabrication site.

# EXAMPLE STENCIL DESIGN

DBQ0016A

SSOP - 1.75 mm max height

SHRINK SMALL-OUTLINE PACKAGE



SOLDER PASTE EXAMPLE  
BASED ON .005 INCH [0.127 MM] THICK STENCIL  
SCALE:8X

4214846/A 03/2014

NOTES: (continued)

8. Laser cutting apertures with trapezoidal walls and rounded corners may offer better paste release. IPC-7525 may have alternate design recommendations.
9. Board assembly site may have different recommendations for stencil design.



## IMPORTANT NOTICE AND DISCLAIMER

TI PROVIDES TECHNICAL AND RELIABILITY DATA (INCLUDING DATA SHEETS), DESIGN RESOURCES (INCLUDING REFERENCE DESIGNS), APPLICATION OR OTHER DESIGN ADVICE, WEB TOOLS, SAFETY INFORMATION, AND OTHER RESOURCES "AS IS" AND WITH ALL FAULTS, AND DISCLAIMS ALL WARRANTIES, EXPRESS AND IMPLIED, INCLUDING WITHOUT LIMITATION ANY IMPLIED WARRANTIES OF MERCHANTABILITY, FITNESS FOR A PARTICULAR PURPOSE OR NON-INFRINGEMENT OF THIRD PARTY INTELLECTUAL PROPERTY RIGHTS.

These resources are intended for skilled developers designing with TI products. You are solely responsible for (1) selecting the appropriate TI products for your application, (2) designing, validating and testing your application, and (3) ensuring your application meets applicable standards, and any other safety, security, regulatory or other requirements.

These resources are subject to change without notice. TI grants you permission to use these resources only for development of an application that uses the TI products described in the resource. Other reproduction and display of these resources is prohibited. No license is granted to any other TI intellectual property right or to any third party intellectual property right. TI disclaims responsibility for, and you will fully indemnify TI and its representatives against, any claims, damages, costs, losses, and liabilities arising out of your use of these resources.

TI's products are provided subject to [TI's Terms of Sale](#) or other applicable terms available either on [ti.com](https://www.ti.com) or provided in conjunction with such TI products. TI's provision of these resources does not expand or otherwise alter TI's applicable warranties or warranty disclaimers for TI products.

TI objects to and rejects any additional or different terms you may have proposed.

Mailing Address: Texas Instruments, Post Office Box 655303, Dallas, Texas 75265  
Copyright © 2024, Texas Instruments Incorporated