

# NCP4355

## Secondary Side SMPS OFF Mode Controller for Low Standby Power

### Description

The NCP4355 is a secondary side SMPS controller designed for use in applications which require extremely low no load power consumption. The device is capable of detecting “no load” conditions and entering the power supply into a low consumption OFF mode. During OFF mode, the primary side controller is turned off and energy is provided by the output capacitors thus eliminating the power consumption required to maintain regulation. During OFF mode, the output voltage relaxes and is allowed to decrease to an adjustable level. Once more energy is required, the NCP4355 automatically restarts the primary side controller by ONOFF current that flows through ONOFF optocoupler. The NCP4355 controls the primary controller with an “Active ON” signal, meaning that it only drives optocoupler current during ON mode to minimize consumption during OFF mode.

During normal power supply operation, the NCP4355 provides integrated voltage feedback regulation, replacing the need for a shunt regulator. The A and C versions include a current regulation loop in addition to voltage regulation.

The NCP4355 includes a LED driver pin (except C version) implemented with an open drain MOSFET driven by a 1 kHz square wave with a 12.5% duty cycle for indication purpose.

The NCP4355 is available in SOIC–8 package.

### DEVICE OPTIONS

|                             | NCP4355A | NCP4355B | NCP4355C |
|-----------------------------|----------|----------|----------|
| Adjustable V <sub>min</sub> | No       | Yes      | Yes      |
| Current Regulation          | Yes      | No       | Yes      |
| LED driver                  | Yes      | Yes      | No       |

### Features

- Operating Input Voltage Range: 3.5 V to 36.0 V
- Supply Current < 100  $\mu$ A
- $\pm 0.5\%$  Reference Voltage Accuracy ( $T_J = 25^\circ\text{C}$ )
- Constant Voltage and Constant Current (A and C versions) Control Loop
- Indication LED PWM Modulated Driver (except NCP4355C)
- These Devices are Pb–Free, Halogen Free/BFR Free and are RoHS Compliant

### Typical Applications

- Offline Adapters for Notebooks, Game Stations and Printers
- High Power AC–DC Converters for TVs, Set–Top Boxes, Monitors etc.

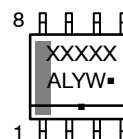


ON Semiconductor®

<http://onsemi.com>



SOIC–8  
D SUFFIX  
CASE 751



XXXXX = Specific Device Code  
A = Assembly Location  
L = Wafer Lot  
Y = Year  
W = Work Week  
▪ = Pb–Free Package

### ORDERING INFORMATION

See detailed ordering, marking and shipping information in the package dimensions section on page 16 of this data sheet.

# NCP4355

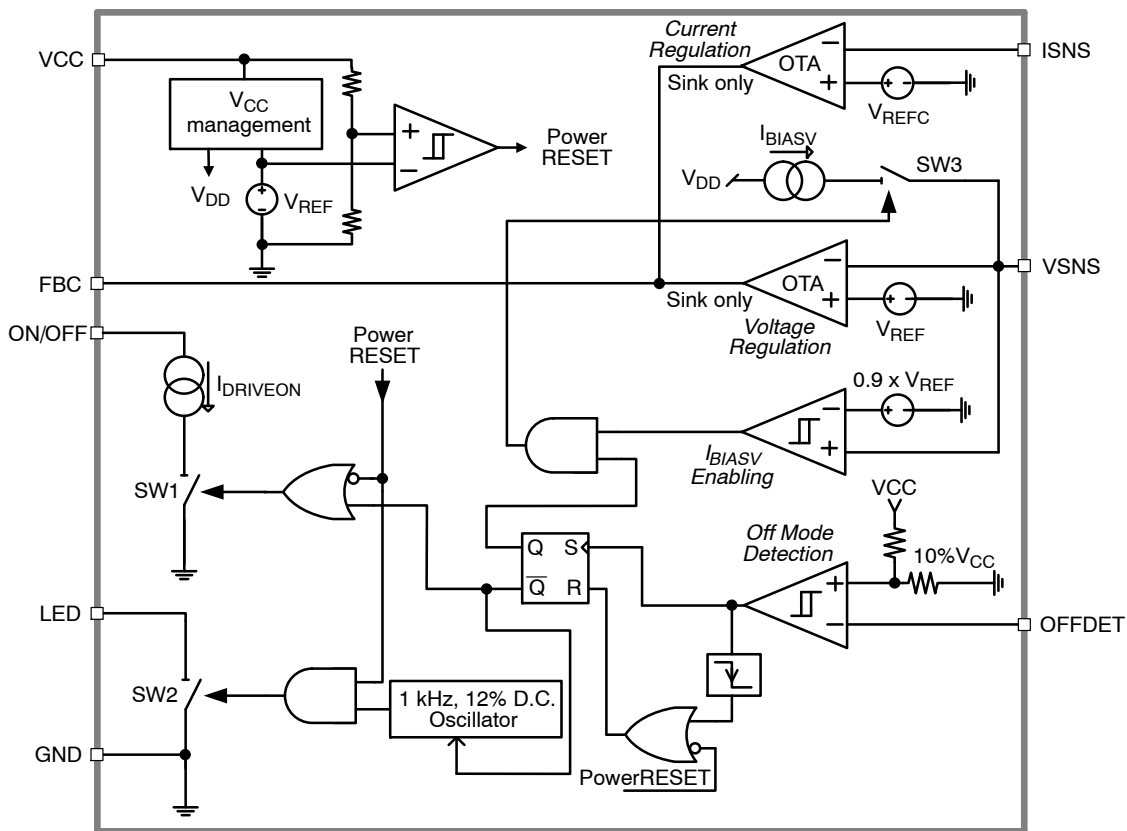


Figure 1. Simplified Block Diagram - NCP4355A

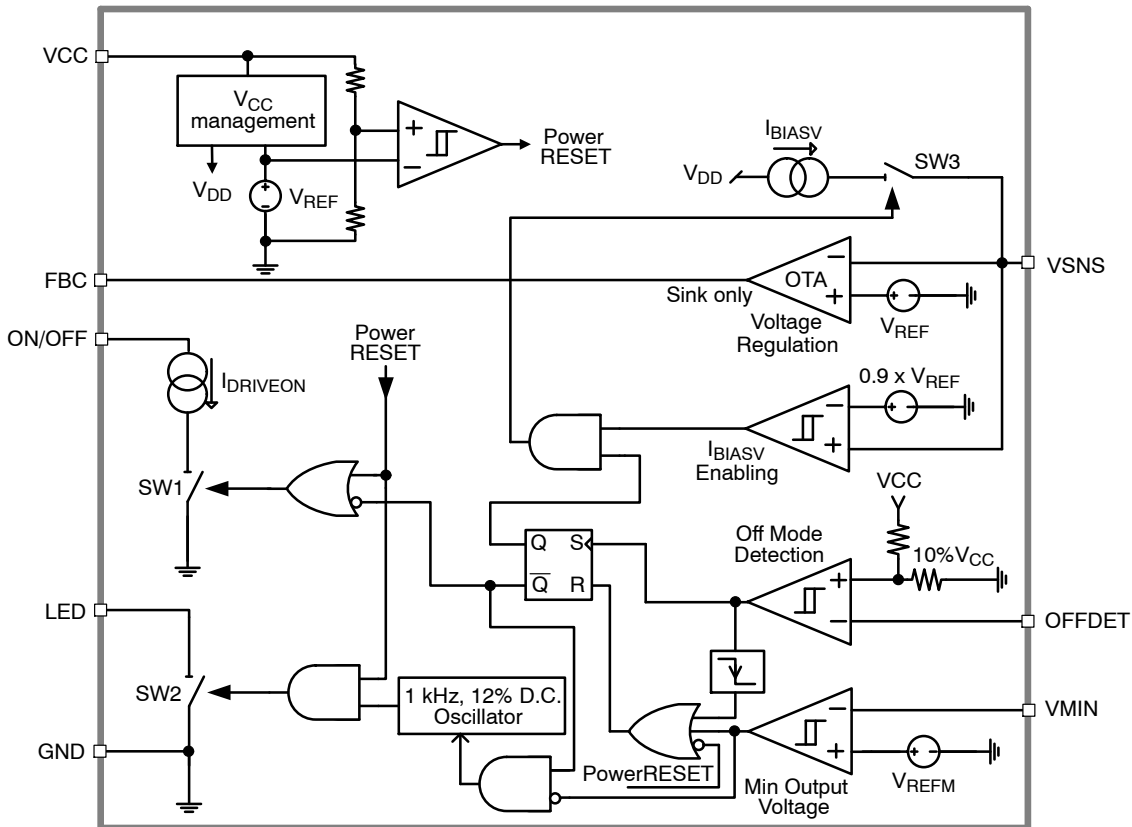


Figure 2. Simplified Block Diagram - NCP4355B

# NCP4355

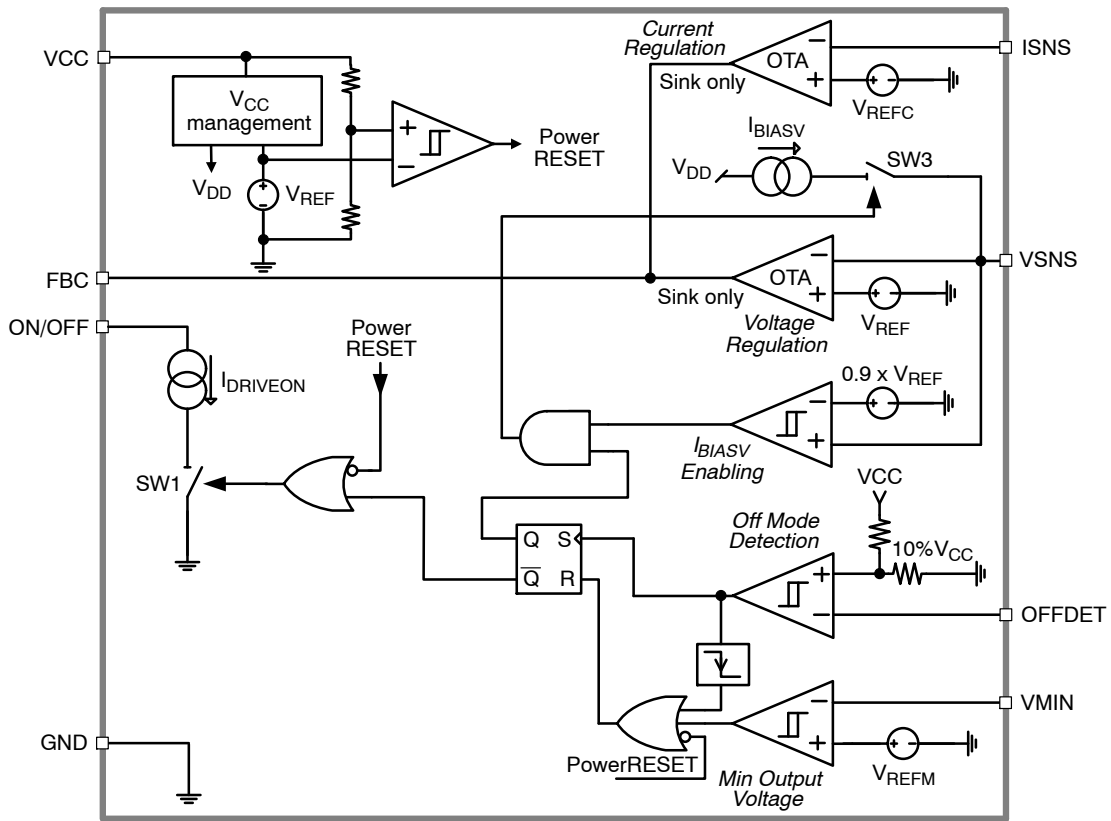


Figure 3. Simplified Block Diagram - NCP4355C

# NCP4355

## PIN FUNCTION DESCRIPTION

| NCP4355A | NCP4355B | NCP4355C | Pin Name | Description   |
|----------|----------|----------|----------|---|
| 8        | 8        | 8        | VCC      | Supply voltage pin  |
| 7        | 7        | 7        | GND      | Ground  |
| 1        | 1        | 1        | VSNS     | Output voltage sensing pin, connected to output voltage divider   |
| 2        | 2        | 2        | OFFDET   | OFF mode detection input. Voltage divider provides adjustable off mode detection threshold  |
| -        | 3        | 3        | VMIN     | Minimum output voltage adjustment   |
| 3        | -        | 4        | ISNS     | Current sensing input for output current regulation, connect it to shunt resistor in ground branch.   |
| 4        | 4        | -        | LED      | PWM LED driver output. Connected to LED cathode with current define by external serial resistance   |
| 6        | 6        | 6        | FBC      | Output of current sinking OTA amplifier or amplifiers driving feedback optocoupler's LED. Connect here compensation network (networks) as well. |
| 5        | 5        | 5        | ON/OFF   | ON mode current sink. This output keeps primary control pin at low level in on mode.  |

## ABSOLUTE MAXIMUM RATINGS

| Rating  | Symbol                                    | Value                  | Unit |
|---|---|------------------------|------|
| Input Voltage                                 | $V_{CC}$                                  | -0.3 to 40.0           | V    |
| ON/OFF, FBC, LED Voltage                      | $V_{ON/OFF}, V_{FBC}, V_{LED}$            | -0.3 to $V_{CC} + 0.3$ | V    |
| VSNS, ISNS, OFFDET, VMIN Voltage              | $V_{SNS}, V_{ISNS}, V_{OFFDET}, V_{MIN}$  | -0.3 to 10.0           | V    |
| LED Current                                   | $I_{LED}$                                 | 10                     | mA   |
| Thermal Resistance – Junction-to-Air (Note 1) | NCP4355A/C<br>NCP4355B<br>$R_{\theta JA}$ | 260<br>277             | °C/W |
| Junction Temperature                          | $T_J$                                     | -40 to 150             | °C   |
| Storage Temperature                           | $T_{STG}$                                 | -60 to 150             | °C   |
| ESD Capability, Human Body Model (Note 2)     | $ESD_{HBM}$                               | 2000                   | V    |
| ESD Capability, Machine Model (Note 2)        | $ESD_{MM}$                                | 250                    | V    |

Stresses exceeding Maximum Ratings may damage the device. Maximum Ratings are stress ratings only. Functional operation above the Recommended Operating Conditions is not implied. Extended exposure to stresses above the Recommended Operating Conditions may affect device reliability.

- 50 mm<sup>2</sup>, 1.0 oz. Copper spreader.
- This device series incorporates ESD protection and is tested by the following methods:  
 ESD Human Body Model tested per JESD22-A114F  
 ESD Machine Model tested per JESD22-A115C  
 Latchup Current Maximum Rating tested per JEDEC standard: JESD78D.

# NCP4355

## ELECTRICAL CHARACTERISTICS

0°C ≤ T<sub>J</sub> ≤ 125°C; V<sub>CC</sub> = 15 V; unless otherwise noted. Typical values are at T<sub>J</sub> = +25°C.

| Parameter                       | Test Conditions           | Symbol                 | Min  | Typ  | Max  | Unit |
|---------------------------------|---------------------------|------------------------|------|------|------|------|
| Maximum Operating Input Voltage |                           | V <sub>CC</sub>        |      |      | 36.0 | V    |
| V <sub>CC</sub> UVLO            | V <sub>CC</sub> rising    | V <sub>CCUVLO</sub>    | 3.75 | 4.00 | 4.25 | V    |
|                                 | V <sub>CC</sub> falling   |                        | 3.22 | 3.50 | 3.78 |      |
| V <sub>CC</sub> UVLO Hysteresis |                           | V <sub>CCUVLOHYS</sub> | 0.4  | 0.5  |      | V    |
| Quiescent Current In Regulation | NCP4355A                  | I <sub>CC</sub>        |      | 125  | 155  | μA   |
|                                 | NCP4355B                  |                        |      | 107  | 135  |      |
|                                 | NCP4355C                  |                        |      | 115  | 155  |      |
| Quiescent Current In OFF mode   | V <sub>SNS</sub> < 1.12 V | I <sub>CCOFF</sub>     |      | 90   | 110  | μA   |

### VOLTAGE CONTROL LOOP OTA

|  |  |                        |       |       |       |    |
|--|--|------------------------|-------|-------|-------|----|
| Transconductance                       | Sink current only  | gm <sub>v</sub>        |       | 1     |       | S  |
| Reference Voltage                      | 3.8 V ≤ V <sub>CC</sub> ≤ 36.0 V, T <sub>J</sub> = 25°C      | V <sub>REF</sub>       | 1.244 | 1.250 | 1.256 | V  |
|  | 3.8 V ≤ V <sub>CC</sub> ≤ 36.0 V, T <sub>J</sub> = 0 – 85°C  |                        | 1.240 | 1.250 | 1.264 |    |
|  | 3.8 V ≤ V <sub>CC</sub> ≤ 36.0 V, T <sub>J</sub> = 0 – 125°C |                        | 1.230 | 1.250 | 1.270 |    |
| Sink Current Capability                | In regulation, V <sub>FBC</sub> > 1.5 V                      | I <sub>SINKV</sub>     | 2.5   |       |       | mA |
|  | In OFF mode, V <sub>FBC</sub> > 1.5 V                        |                        | 1.2   | 1.5   | 2.0   | mA |
| Inverting Input Bias Current           | In regulation  | I <sub>BIASV</sub>     | -100  |       | 100   | nA |
|  | In OFF mode, V <sub>SNS</sub> > 1.12 V                       |                        | -2.6  | -2.3  | -1.9  | μA |
| Inverting Input Bias Current Threshold | In OFF mode  | V <sub>SNSBIASTH</sub> | 1.07  | 1.12  | 1.17  | V  |

### CURRENT CONTROL LOOP OTA (except NCP4355B)

|                              |                                      |                    |      |      |      |    |
|------------------------------|--------------------------------------|--------------------|------|------|------|----|
| Transconductance             | Sink current only                    | gm <sub>C</sub>    |      | 3    |      | S  |
| Reference Voltage            |                                      | V <sub>REFC</sub>  | 60.0 | 62.5 | 65.0 | mV |
| Sink Current Capability      | V <sub>FBC</sub> > 1.5 V             | I <sub>SINKC</sub> | 2.5  |      |      | mA |
| Inverting Input Bias Current | I <sub>SNS</sub> = V <sub>REFC</sub> | I <sub>BIASC</sub> | -100 |      | 100  | nA |

### MINIMUM VOLTAGE COMPARATOR (except NCP4355A)

|                   |  |                   |     |     |     |    |
|-------------------|--|-------------------|-----|-----|-----|----|
| Threshold Voltage |  | V <sub>REFM</sub> | 355 | 377 | 400 | mV |
| Hysteresis        | Output change from logic high to logic low | V <sub>MINH</sub> |     | 40  |     | mV |

### OFF MODE DETECTION COMPARATOR

|                 |  |                      |      |                     |      |    |
|-----------------|--|----------------------|------|---------------------|------|----|
| Threshold Value | 2.5 V ≤ V <sub>CC</sub> ≤ 36.0 V           | V <sub>OFFDETH</sub> |      | 10% V <sub>CC</sub> |      | V  |
|                 | V <sub>CC</sub> = 15 V                     |                      | 1.47 | 1.50                | 1.53 | V  |
| Hysteresis      | Output change from logic high to logic low | V <sub>OFFDETH</sub> |      | 40                  |      | mV |

### LED DRIVER (except NCP4355C)

|                     |                         |                    |      |      |      |     |
|---------------------|-------------------------|--------------------|------|------|------|-----|
| Switching Frequency |                         | f <sub>SWLED</sub> |      | 1    |      | kHz |
| Duty Cycle          |                         | D <sub>LED</sub>   | 10.0 | 12.5 | 15.0 | %   |
| Switch Resistance   | I <sub>LED</sub> = 5 mA | R <sub>SW2</sub>   |      | 50   |      | Ω   |

### ON MODE CONTROL

|              |  |                      |     |     |     |    |
|--------------|--|----------------------|-----|-----|-----|----|
| Sink Current | In ON mode, V <sub>ONOFF</sub> > 0.6 V | I <sub>DRIVEON</sub> | 140 | 160 | 180 | μA |
|--------------|--|----------------------|-----|-----|-----|----|

TYPICAL CHARACTERISTICS

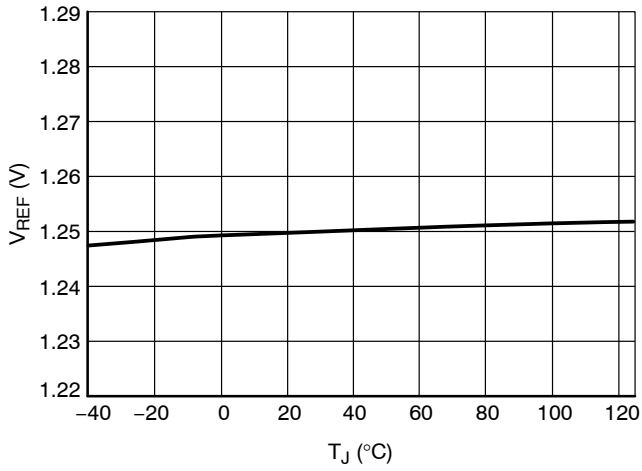


Figure 4.  $V_{REF}$  at  $V_{CC} = 15\text{ V}$

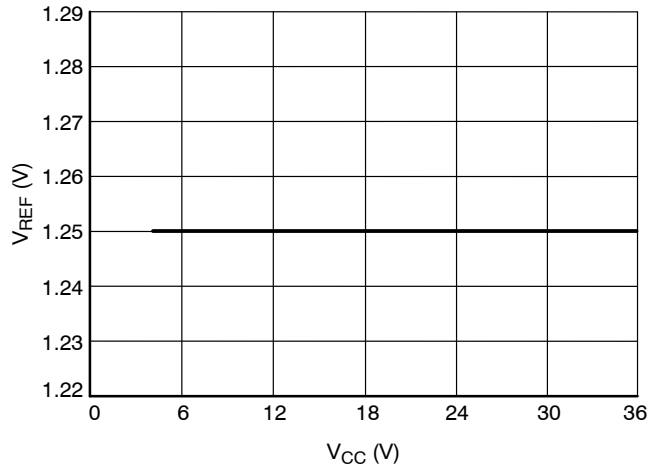


Figure 5.  $V_{REF}$  at  $T_J = 25\text{ °C}$

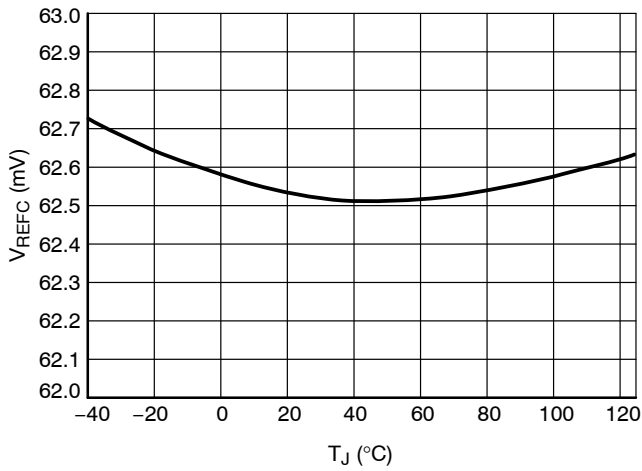


Figure 6.  $V_{REFC}$  at  $V_{CC} = 15\text{ V}$

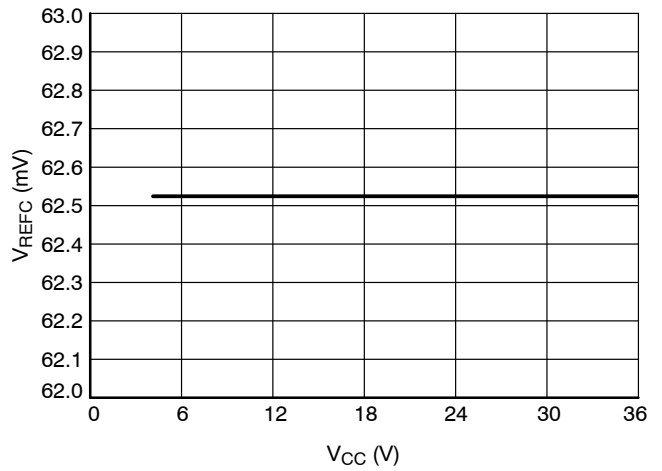


Figure 7.  $V_{REFC}$  at  $T_J = 25\text{ °C}$

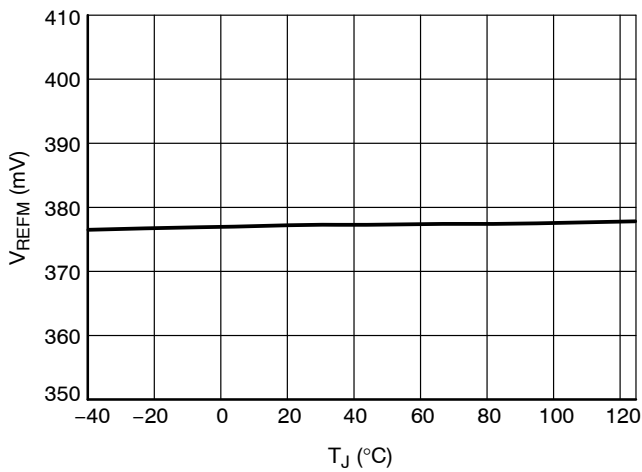


Figure 8.  $V_{REFM}$  at  $V_{CC} = 15\text{ V}$

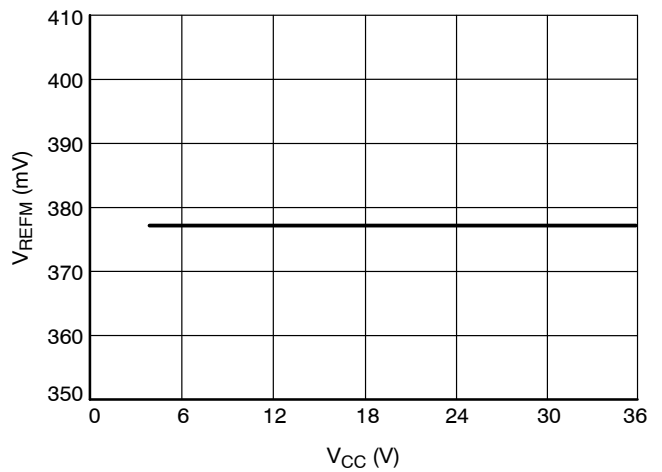


Figure 9.  $V_{REFM}$  at  $T_J = 25\text{ °C}$

# NCP4355

## TYPICAL CHARACTERISTICS

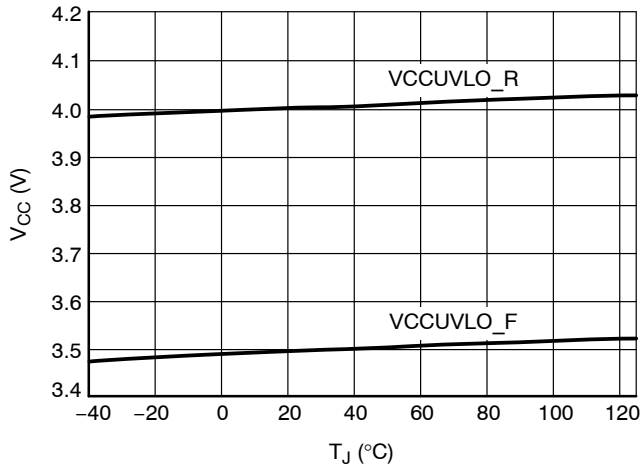


Figure 10. V<sub>CCUVLO</sub>

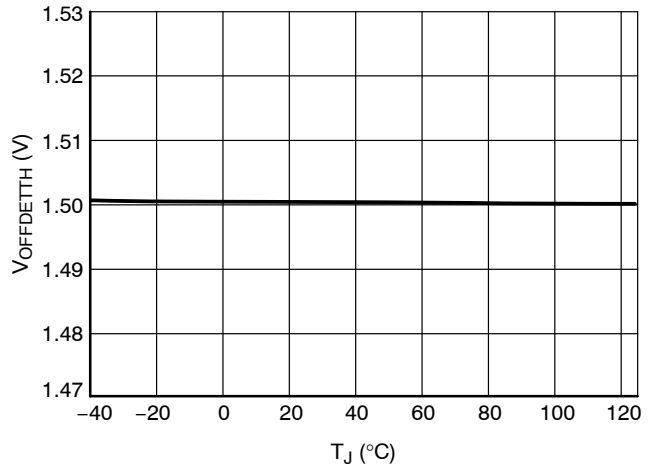


Figure 11. V<sub>OFFDETH</sub> at V<sub>CC</sub> = 15 V

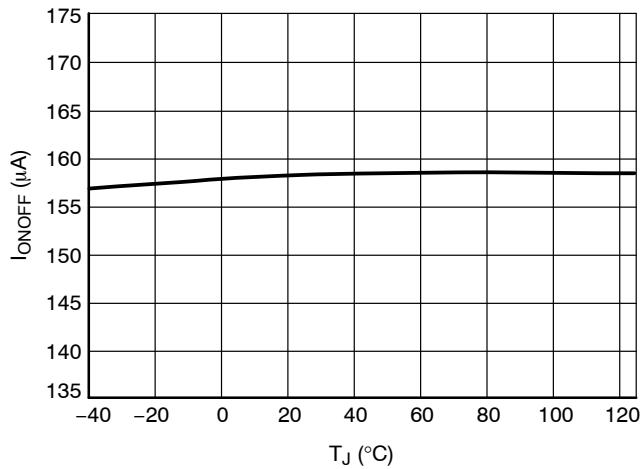


Figure 12. I<sub>ONOFF</sub> at V<sub>CC</sub> = 15 V

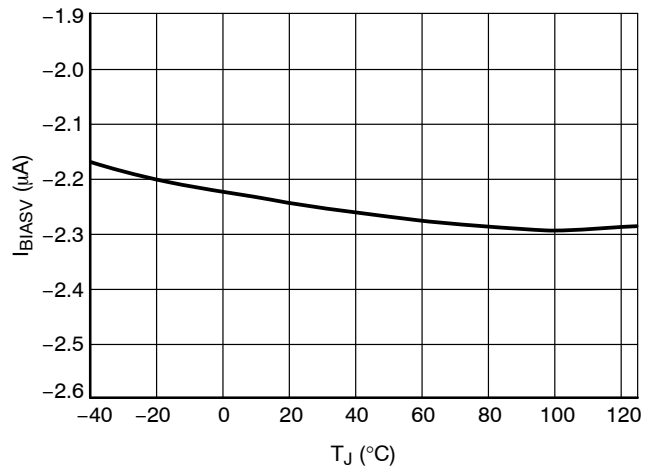


Figure 13. I<sub>BIASV</sub> at V<sub>CC</sub> = 15 V,  
V<sub>SNS</sub> > V<sub>SNSBIASV</sub>

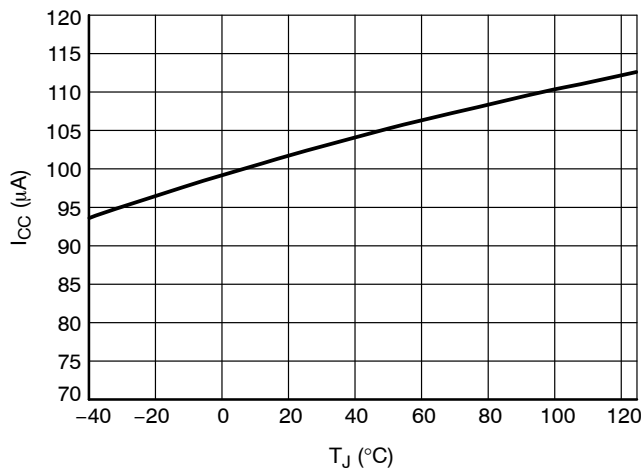


Figure 14. I<sub>CC</sub> in Regulation at V<sub>CC</sub> = 15 V for  
NCP4355B

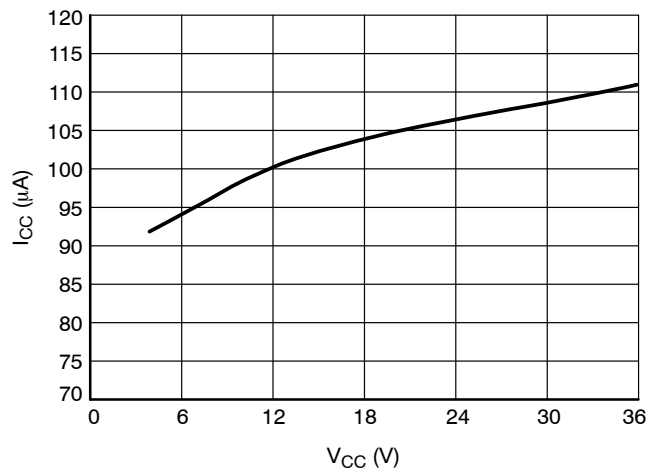


Figure 15. I<sub>CC</sub> in Regulation at T<sub>J</sub> = 25°C  
for NCP4355B

# NCP4355

## TYPICAL CHARACTERISTICS

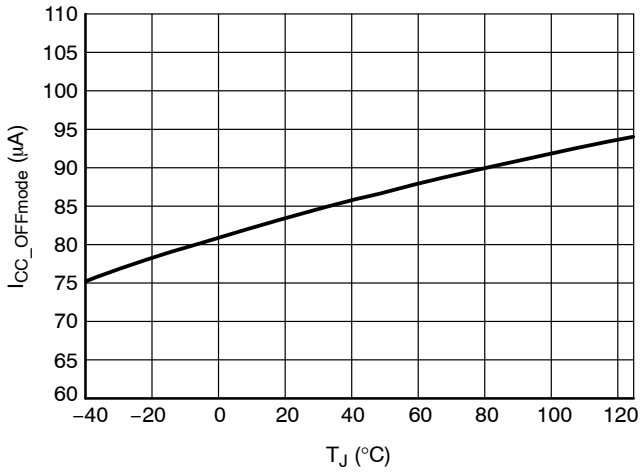


Figure 16. I<sub>CC</sub> in OFF Mode at V<sub>CC</sub> = 15 V, V<sub>SNS</sub> < V<sub>SNSBIASTH</sub>, for NCP4355B

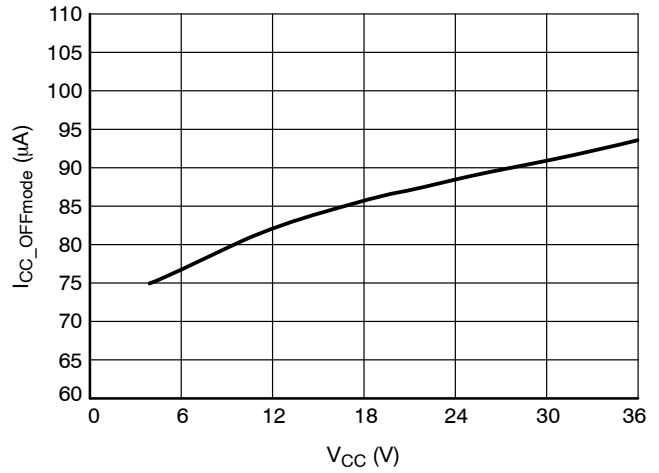


Figure 17. I<sub>CC</sub> in OFF Mode at T<sub>J</sub> = 25°C, V<sub>SNS</sub> < V<sub>SNSBIASTH</sub>, for NCP4355B

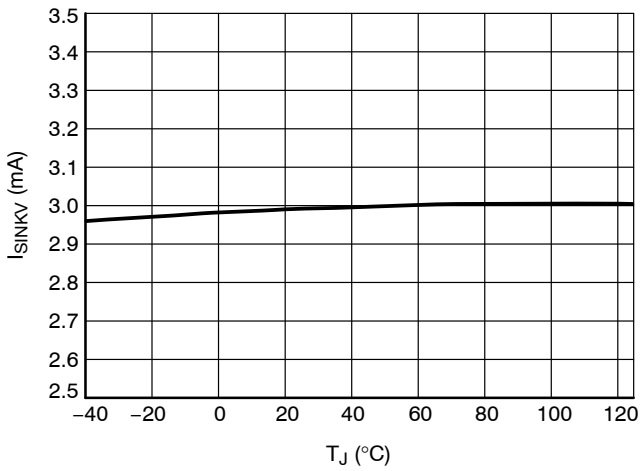


Figure 18. Voltage OTA Current Sink Capability in Regulation

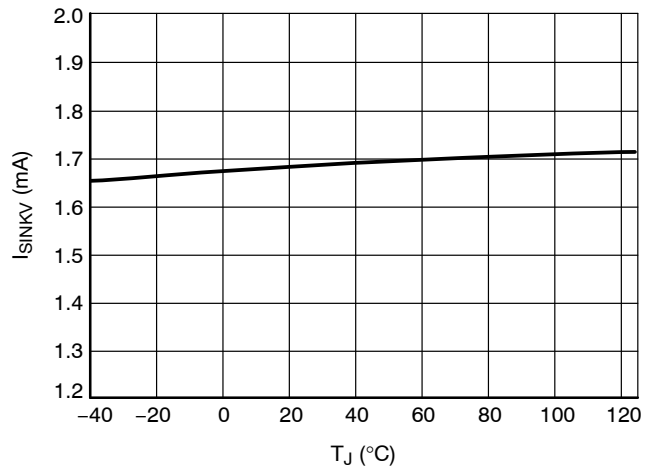


Figure 19. Voltage OTA Current Sink Capability in OFF Mode

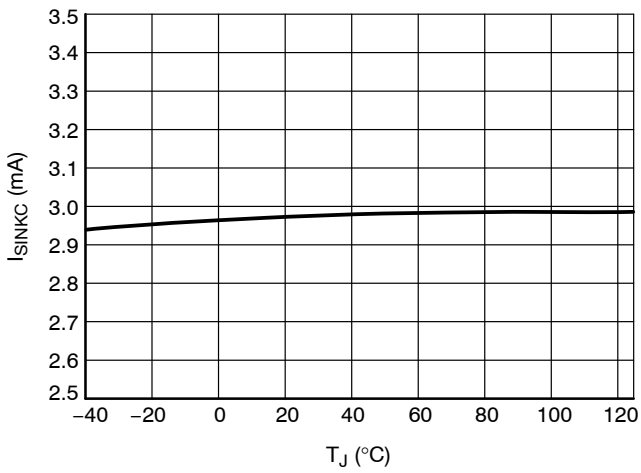


Figure 20. Current OTA Current Sink Capability

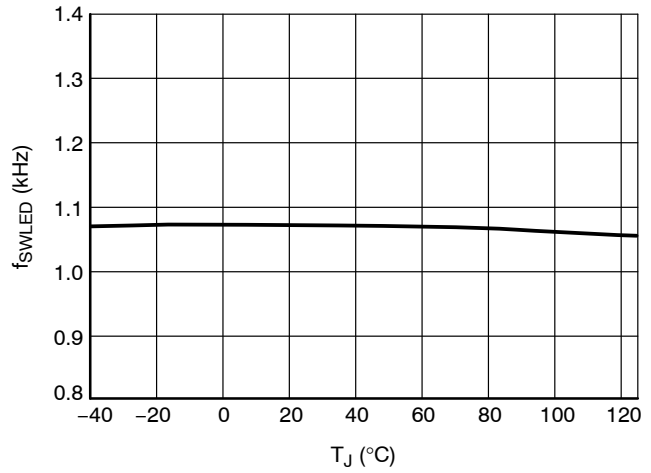


Figure 21. LED Switching Frequency at V<sub>CC</sub> = 15 V



# NCP4355

## TYPICAL CHARACTERISTICS

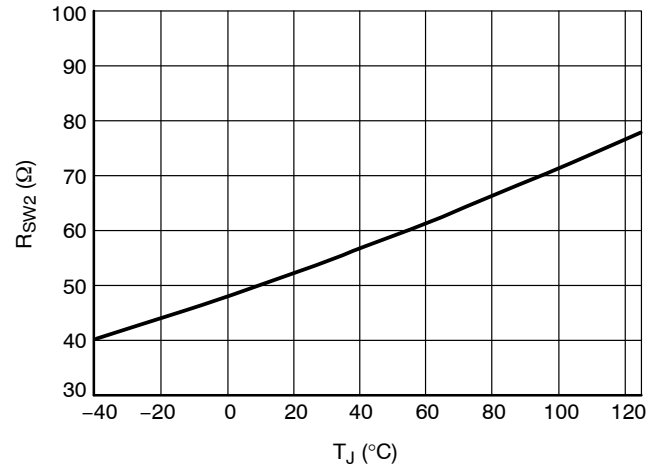


Figure 22.  $R_{sw2}$  at  $V_{CC} = 15\text{ V}$

APPLICATION INFORMATION

Typical application circuits for NCP4355x are shown in Figure 24, Figure 25 and Figure 26. Each IC version contains different features. Please see Device options table or Block diagrams for detail information. NCP4355A does not have a VMIN pin for setting the minimum voltage level, therefore it needs a special circuit shown in Figure 24 in the dashed box. This is needed for correct detection of load connection in OFF mode. The same circuit can be used for other versions when high speed detection of load connection is needed.

**Supply Voltage**

The IC is supplied through VCC pin. Supply voltage should be taken from output voltage in range from 4.5 V up to 36 V. Power supply voltage should be separated from output voltage by a diode D3 and some energy should be stored in a VCC cap C6. Cap should be high enough to keep enough energy for ONOFF optocoupler and NCP4355x before primary controller is started. Time constant of the VCC cap C6 and the IC supply current should be smaller than time constant of power supply output filter and maximum output current in OFF mode. VCC pin should also be decoupled by 100 nF decoupling cap C5.

**Voltage Regulation Path**

The output voltage is detected on the VSNS pin by the R4, R5 and R6 voltage divider. This voltage is compared with the internal precise voltage reference. The voltage difference is amplified by gm<sub>V</sub> of the transconductance amplifier. The amplifier output current is connected to the FBC pin. The compensation network is also connected to this pin to provide frequency compensation for the voltage regulation path. This FBC pin drives an optocoupler that provides regulation of primary side. The optocoupler is supplied via direct connection to VOUT line through resistor R1.

Regulation information is transferred through the optocoupler to the primary side controller where its FB pin is usually pulled down to reduce energy transferred to secondary output.

The VSNS voltage divider is shared with VMIN voltage divider. The shared voltage divider can be connected in two ways as shown in Figure 23. The divider type is selected based on the ratio between V<sub>MIN</sub> and V<sub>OUT</sub>. When the condition of Equation 1 is true, divider type 1 should be used.

$$V_{MIN} > \frac{V_{OUT} \times V_{REFM}}{V_{REF}} \quad (\text{eq. 1})$$

Output voltage for divider type 1 can be computed by Equation 2

$$V_{OUT} = V_{REF} \frac{R4 + R5 + R6}{R5 + R6} \quad (\text{eq. 2})$$

and for type 2 by Equation 3.

$$V_{OUT} = V_{REF} \frac{R4 + R5 + R6}{R6} \quad (\text{eq. 3})$$

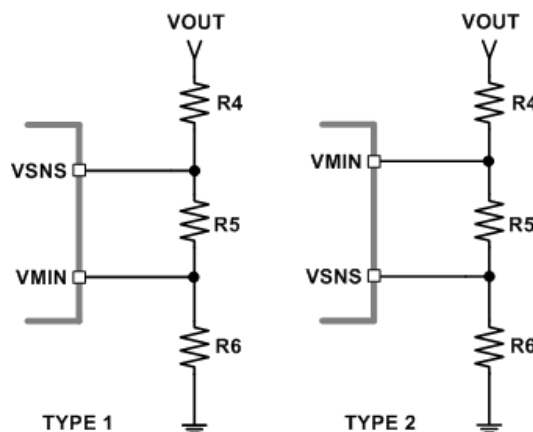


Figure 23. Shared Dividers Type

**Current Regulation Path (A and C versions only)**

The output current is sensed by the shunt resistor R11 in series with the load. Voltage drop on R11 is compared with internal precise voltage reference V<sub>REFC</sub> at I<sub>SNS</sub> transconductance amplifier input.

Voltage difference is amplified by gm<sub>C</sub> to output current of amplifier, connected to FBC pin. Compensation network is connected between this pin and ISNS input to provide frequency compensation for current regulation path. Resistor R12 separates compensation network from sense resistor. Compensation network works into low impedance without this resistor that significantly decreases compensation network impact.

Current regulation point is set to current given by Equation 4.

$$I_{OUTLIM} = \frac{V_{REFC}}{R11} \quad (\text{eq. 4})$$

**OFF Mode Detection**

OFF mode operation is advantageous for ultra low or zero output current condition. The very long off time and the ultra low power mode of the whole regulation system greatly reduces the overall consumption.

The output voltage is varying between nominal and minimal in OFF mode. When output voltage decreases below set (except NCP4355A) minimum level, primary controller is switch on until output capacitor C1 is charged again to the nominal voltage.

The OFF mode detection is based on comparison of output voltage and voltage loaded with fixed resistances (D2, C2, R7 and R8). Figure 27 shows detection waveforms. When output voltage is loaded with very low current, primary controller goes into skip mode (primary controller stops switching for some time). While output capacitor C1 is discharged very slowly (no load condition), a fixed load R7 and R8 discharges the capacitor C2 faster than load current discharges output voltage on C1.

Once OFFDET pin voltage is lower than V<sub>OFFDETH</sub> (this threshold is derived from V<sub>CC</sub> that is very close to V<sub>OUT</sub>),

OFF mode is detected. In OFF mode SW1 is switched off and no  $I_{ONOFF}$  current is going through ON/OFF pin. The primary controller's REM pin voltage increases and primary IC goes in to off mode.

$I_{BIASV}$  current flow from VSNS pin to feedback divider is also activated when OFF mode is detected. This current increases voltage at VSNS pin and due to it voltage OTA sinks reduced current through regulation optocoupler. OTA stops to sink current when VSNS voltage drops below  $V_{REF}$ .  $I_{BIASV}$  current disappears when VSNS voltage is lower than 90% of  $V_{REF}$ . This feature helps to avoid primary side switching when OFF mode is detected at secondary side and primary side is waiting for correct information at REM pin.

#### Minimum Output Voltage Detection (except NCP4355A)

Minimum output voltage level defines primary controller restart from OFF mode. It can be set by shared voltage divider with voltage regulation loop. When  $V_{MIN}$  voltage drops below  $V_{REFM}$ , OFF mode is ended and primary controller restarts.

NCP4355A has no external adjustment and uses the internal minimum voltage level specified by minimum falling operation supply voltage and special load detection circuit for faster detection of load connection (T2, R16 and R17 at Figure 24). Principle of load connection detection is that when load is connected, output capacitor C1 is discharged faster than C6 capacitor by IC supply current. Voltage across D3 increases and when there is enough voltage to open T2 some current is injected into OFFDET divider. Voltage at OFFDET pin goes above 10% of  $V_{CC}$  and OFF mode ends. This circuit can also be used with B and C versions to dramatically speed up wakeup time from OFF mode. If this circuit is not used, it is necessary to wait for C6 discharge below  $V_{CC}$  UVLO falling level before the primary controller is restarted.

#### LED Driver (except NCP4355C)

LED driver is active when  $V_{CC}$  is higher than  $V_{CCMIN}$  and output voltage is in regulation (it is off during OFF mode). LED driver consists of an internal power switch controlled by PWM modulated logic signal and an external current limiting resistor R3. LED current can be computed by Equation 5

$$I_{LED} = \frac{V_{OUT} - V_{F\_LED}}{R3} \quad (\text{eq. 5})$$

PWM modulation is used to increase efficiency of LED.

#### Operation in OFF Mode Description

Operation waveforms in off mode and transition into OFF mode with primary controller are shown in Figure 28.

Figure shows waveforms from the first start (1) of the convertor. At first, primary controller charges  $V_{CC}$  capacitor over the  $V_{CCON}$  level (2). When primary  $V_{CC}$  is over this level (3), primary controller starts to operate and  $V_{OUT}$  is slowly rising according to primary controller start up ramp to nominal voltage (4). When  $V_{OUT}$  is high enough,  $V_{CC}$  capacitor is charged from auxiliary winding.

Primary FB pin voltage is above regulation range until  $V_{OUT}$  is at set level. Once  $V_{OUT}$  is at set level, the secondary controller starts to sink current from optocoupler LED's and primary FB voltage is stabilized in regulation region. With nominal output power (without skip mode) OFFDET pin voltage is higher than  $V_{OFFDETTH}$  (typically 10% of  $V_{CC}$ ).

After some time, the load current decreases to low level (5) and primary convertor uses skip mode (6) to keep regulation of output voltage at set level and save some energy. The skip mode consists of few switching cycles followed by missing ones to provide limited energy by light load. The number of missing cycles allows regulation for any output power.

While both C1 and C2 are discharged during the missing cycles, C2 discharge will be faster than C1 without output current,  $V_{OFFDET}$  drops below  $V_{OFFDETTH}$  and OFF mode is detected (7). This situation is shown in Figure 27 in detail. When OFF mode is detected, current into ONOFF pin stops to flow (7) and voltage at primary REM pin increases over threshold level that forces primary controller into OFF mode. Internal pull-up current  $I_{BIASV}$  is switched on (7), VSNS pin voltage increases (thanks to  $I_{BIASV}$ ) and voltage amplifier sinks reduced current (at time (8)), when VSNS is higher than  $V_{REF}$  (9), to keep primary FB voltage below switching level until REM pin voltage is high enough.  $I_{BIASV}$  current stops when VSNS voltage drops below 90% of  $V_{REF}$ .

Discharging of C1 continues (10) until output voltage drops below level set by voltage divider at  $V_{MIN}$  pin (except NCP4355A where minimum  $V_{OUT}$  is defined only by  $V_{CC}$  UVLO) (11). ONOFF current starts to flow, primary REM voltage decreases and primary  $V_{CC}$  voltage is rising (12). Primary controller starts to operate, when  $V_{CC}$  voltage is enough and FB voltage is at regulation area (13). Output capacitor C1 is recharged (14) to set voltage. If there is still light load condition primary controller goes to skip mode (15) again and after some time secondary controller detects OFF mode by very light or no load condition (16) and whole cycle is repeated.

#### Fast Restart From OFF Mode

The IC ends OFF mode when a load is connected to the output and  $V_{OUT}$  is discharged to  $V_{MIN}$  level. There exists another connection that allows transition to normal mode faster without waiting some time for  $V_{OUT}$  to discharge to  $V_{MIN}$  (it is necessary to use it with NCP4355A). This schematic is shown at Figure 24 in dashed box. The basic idea is that C6 is discharged by the IC faster than C1 by output load in OFF mode. When an output load is applied, capacitor C1 is discharged faster and this creates the voltage drop at D3. When there is enough voltage at D3, T2 is conducting and current is injected into the OFFDET divider through R16. OFFDET voltage higher than 10% of  $V_{CC}$  ends OFF mode and ON/OFF current starts to flow. Primary controller leaves OFF mode because voltage at REM pin increase above OFF mode detection threshold.

# NCP4355

Normal operation waveforms for typical load detection connection and improved load detection waveforms are shown in Figure 29. Figure 30 shows waveforms for NCP4355A (without VMIN detection) in OFF mode and

when load is connected during OFF mode. It can be seen that the application is waiting not for low  $V_{OUT}$ , but for low  $V_{CC}$  and then OFF mode is ended.

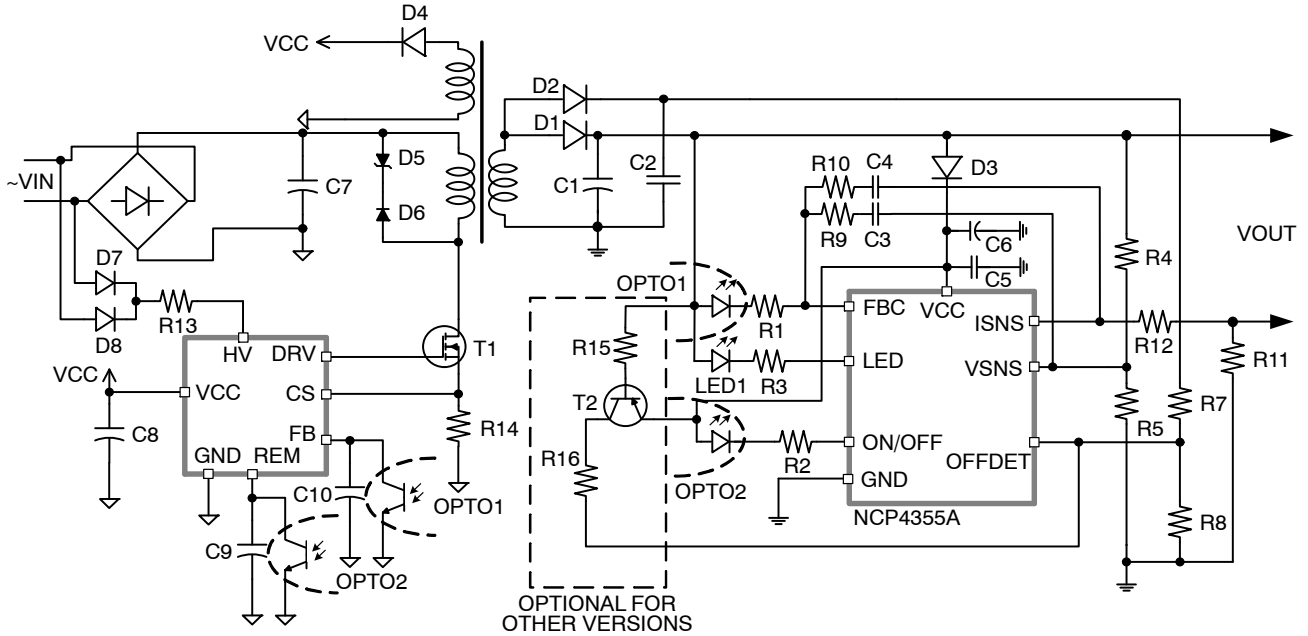


Figure 24. Typical Application Schematic for NCP4355A

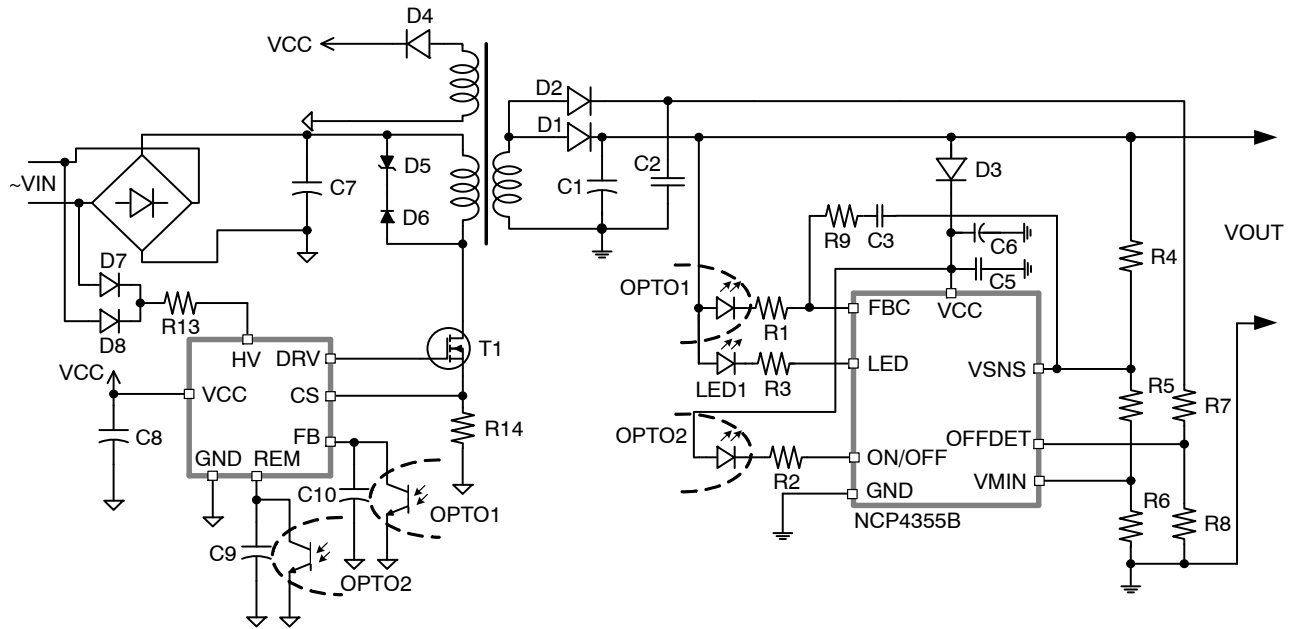


Figure 25. Typical Application Schematic for NCP4355B

# NCP4355

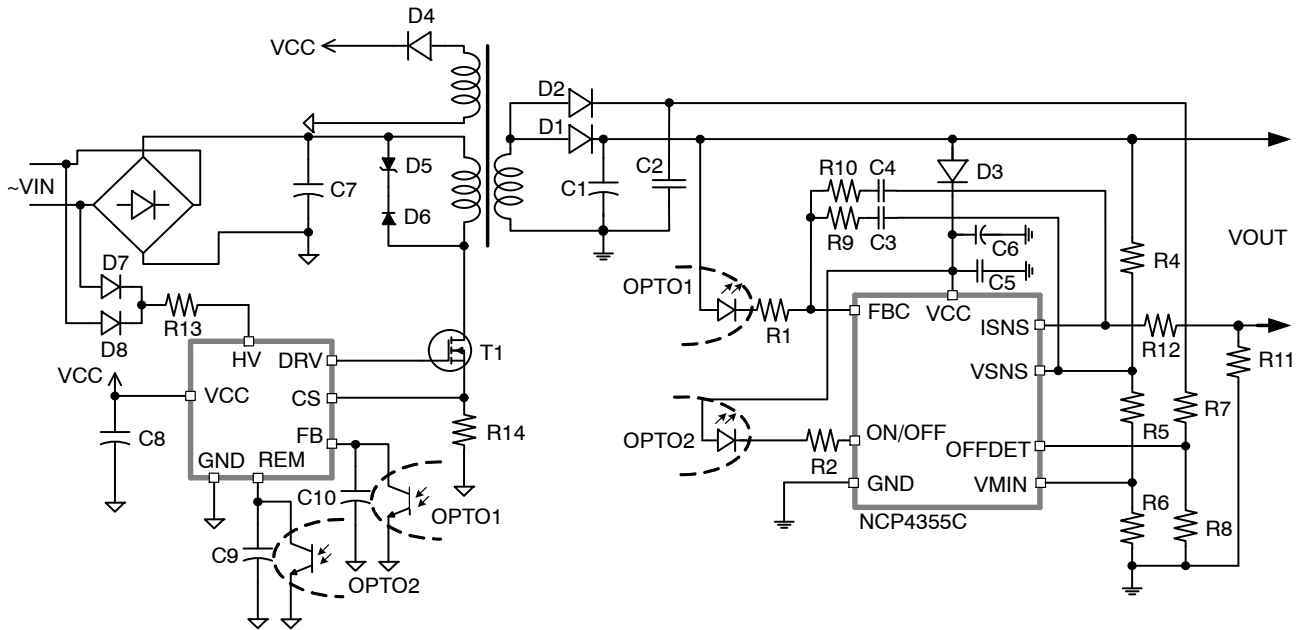


Figure 26. Typical Application Schematic for NCP4355C

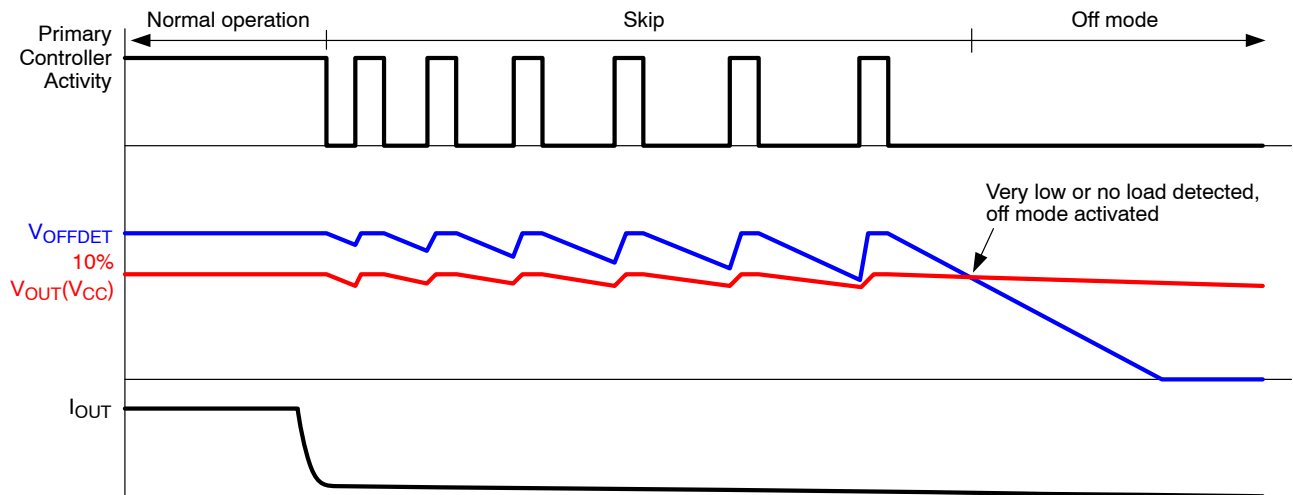


Figure 27. OFF Mode Detection



# NCP4355

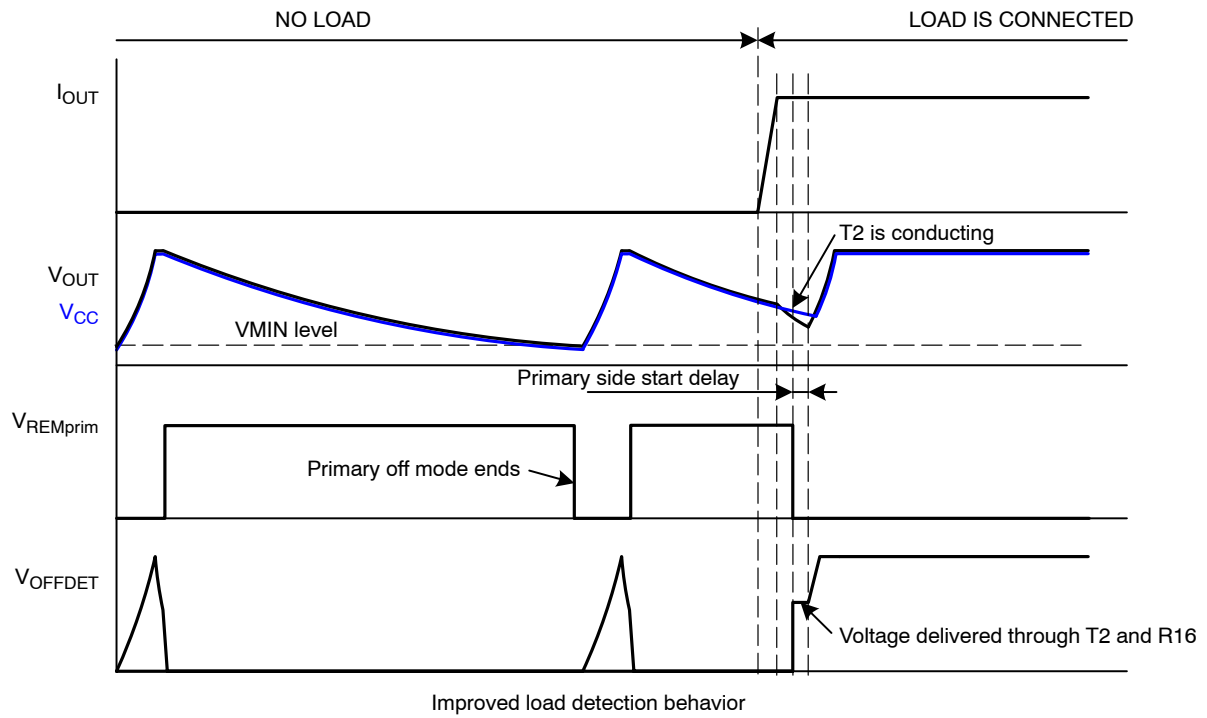
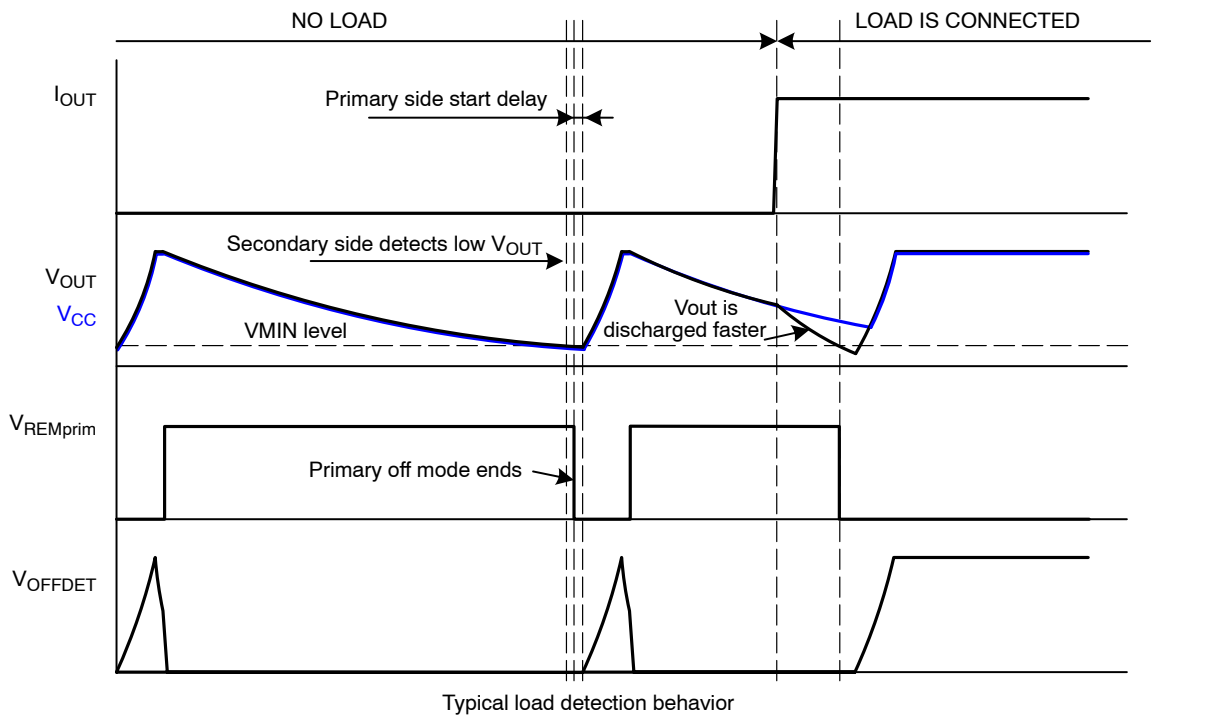


Figure 29. Typical and Improved Load Detection Comparison Waveforms

# NCP4355

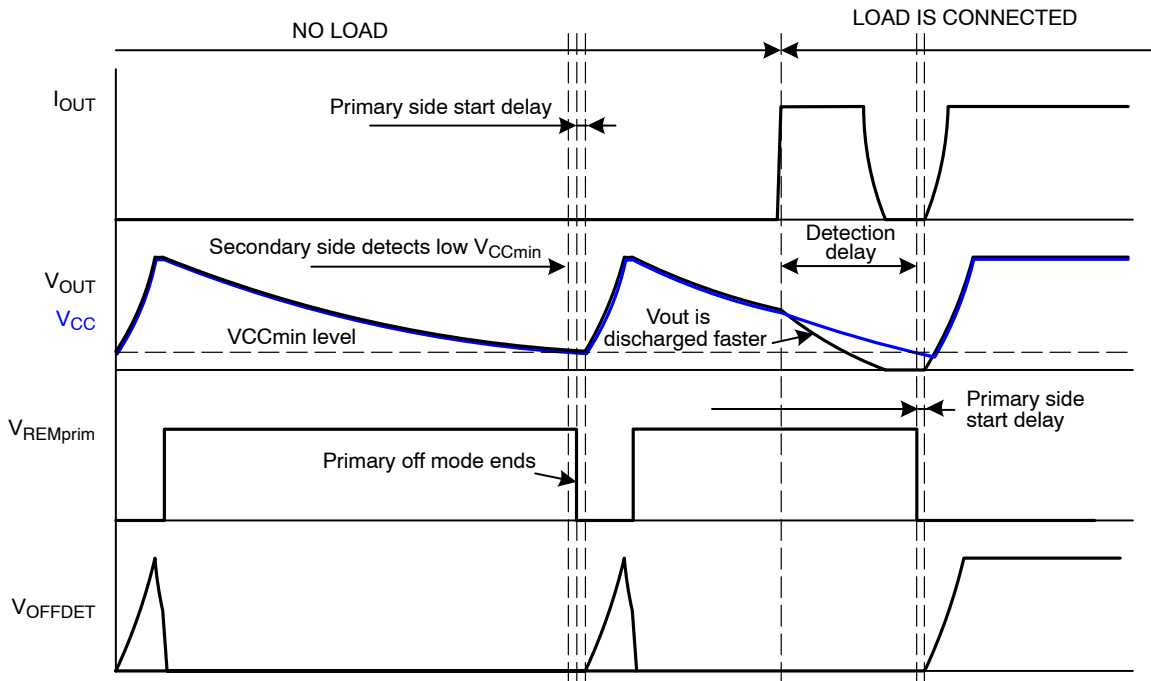


Figure 30. Typical Load Detection of NCP4355A Without External Detection Circuit Waveforms

## ORDERING INFORMATION

| Device       | Marking  | Adjustable $V_{MIN}$ | Current Regulation | LED Driver | Package          | Shipping           |
|--------------|----------|----------------------|--------------------|------------|------------------|--------------------|
| NCP4355ADR2G | NCP4355A | No                   | Yes                | Yes        | SOIC-8 (Pb-Free) | 2500 / Tape & Reel |
| NCP4355BDR2G | NCP4355B | Yes                  | No                 | Yes        | SOIC-8 (Pb-Free) | 2500 / Tape & Reel |
| NCP4355CDR2G | NCP4355C | Yes                  | Yes                | No         | SOIC-8 (Pb-Free) | 2500 / Tape & Reel |

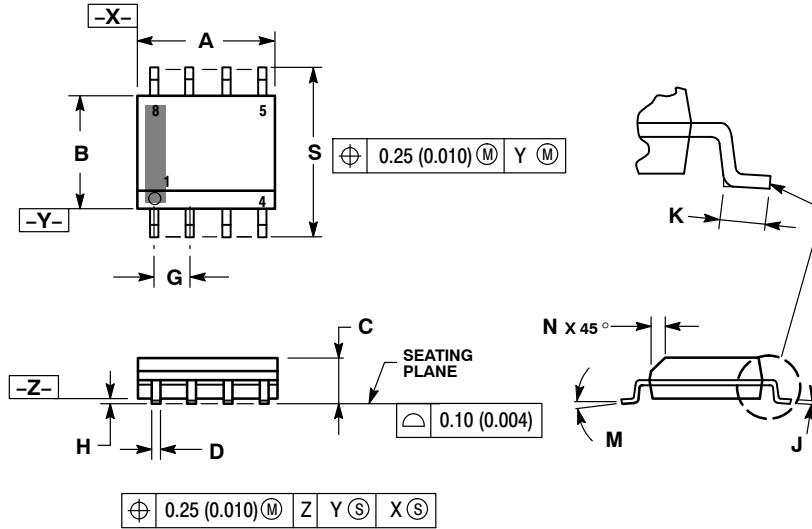




SCALE 1:1

SOIC-8 NB  
CASE 751-07  
ISSUE AK

DATE 16 FEB 2011



- NOTES:
1. DIMENSIONING AND TOLERANCING PER ANSI Y14.5M, 1982.
  2. CONTROLLING DIMENSION: MILLIMETER.
  3. DIMENSION A AND B DO NOT INCLUDE MOLD PROTRUSION.
  4. MAXIMUM MOLD PROTRUSION 0.15 (0.006) PER SIDE.
  5. DIMENSION D DOES NOT INCLUDE DAMBAR PROTRUSION. ALLOWABLE DAMBAR PROTRUSION SHALL BE 0.127 (0.005) TOTAL IN EXCESS OF THE D DIMENSION AT MAXIMUM MATERIAL CONDITION.
  6. 751-01 THRU 751-06 ARE OBSOLETE. NEW STANDARD IS 751-07.

| DIM | MILLIMETERS |      | INCHES    |       |
|-----|-------------|------|-----------|-------|
|     | MIN         | MAX  | MIN       | MAX   |
| A   | 4.80        | 5.00 | 0.189     | 0.197 |
| B   | 3.80        | 4.00 | 0.150     | 0.157 |
| C   | 1.35        | 1.75 | 0.053     | 0.069 |
| D   | 0.33        | 0.51 | 0.013     | 0.020 |
| G   | 1.27 BSC    |      | 0.050 BSC |       |
| H   | 0.10        | 0.25 | 0.004     | 0.010 |
| J   | 0.19        | 0.25 | 0.007     | 0.010 |
| K   | 0.40        | 1.27 | 0.016     | 0.050 |
| M   | 0°          | 8°   | 0°        | 8°    |
| N   | 0.25        | 0.50 | 0.010     | 0.020 |
| S   | 5.80        | 6.20 | 0.228     | 0.244 |

SOLDERING FOOTPRINT\*



\*For additional information on our Pb-Free strategy and soldering details, please download the onsemi Soldering and Mounting Techniques Reference Manual, SOLDERRM/D.

GENERIC MARKING DIAGRAM\*



XXXXXX = Specific Device Code  
A = Assembly Location  
L = Wafer Lot  
Y = Year  
W = Work Week  
▪ = Pb-Free Package

XXXXXX = Specific Device Code  
A = Assembly Location  
Y = Year  
WW = Work Week  
▪ = Pb-Free Package

\*This information is generic. Please refer to device data sheet for actual part marking. Pb-Free indicator, "G" or microdot "▪", may or may not be present. Some products may not follow the Generic Marking.

STYLES ON PAGE 2

|                  |             |  |
|------------------|-------------|--|
| DOCUMENT NUMBER: | 98ASB42564B | Electronic versions are uncontrolled except when accessed directly from the Document Repository. Printed versions are uncontrolled except when stamped "CONTROLLED COPY" in red. |
| DESCRIPTION:     | SOIC-8 NB   | PAGE 1 OF 2  |

onsemi and onsemi are trademarks of Semiconductor Components Industries, LLC dba onsemi or its subsidiaries in the United States and/or other countries. onsemi reserves the right to make changes without further notice to any products herein. onsemi makes no warranty, representation or guarantee regarding the suitability of its products for any particular purpose, nor does onsemi assume any liability arising out of the application or use of any product or circuit, and specifically disclaims any and all liability, including without limitation special, consequential or incidental damages. onsemi does not convey any license under its patent rights nor the rights of others.

**SOIC-8 NB**  
**CASE 751-07**  
**ISSUE AK**

DATE 16 FEB 2011

- |   |  |  |  |
|---|--|--|--|
| <p>STYLE 1:<br/> PIN 1. EMITTER<br/> 2. COLLECTOR<br/> 3. COLLECTOR<br/> 4. EMITTER<br/> 5. EMITTER<br/> 6. BASE<br/> 7. BASE<br/> 8. EMITTER</p>   | <p>STYLE 2:<br/> PIN 1. COLLECTOR, DIE, #1<br/> 2. COLLECTOR, #1<br/> 3. COLLECTOR, #2<br/> 4. COLLECTOR, #2<br/> 5. BASE, #2<br/> 6. EMITTER, #2<br/> 7. BASE, #1<br/> 8. EMITTER, #1</p>               | <p>STYLE 3:<br/> PIN 1. DRAIN, DIE #1<br/> 2. DRAIN, #1<br/> 3. DRAIN, #2<br/> 4. DRAIN, #2<br/> 5. GATE, #2<br/> 6. SOURCE, #2<br/> 7. GATE, #1<br/> 8. SOURCE, #1</p>                            | <p>STYLE 4:<br/> PIN 1. ANODE<br/> 2. ANODE<br/> 3. ANODE<br/> 4. ANODE<br/> 5. ANODE<br/> 6. ANODE<br/> 7. ANODE<br/> 8. COMMON CATHODE</p>   |
| <p>STYLE 5:<br/> PIN 1. DRAIN<br/> 2. DRAIN<br/> 3. DRAIN<br/> 4. DRAIN<br/> 5. GATE<br/> 6. GATE<br/> 7. SOURCE<br/> 8. SOURCE</p>   | <p>STYLE 6:<br/> PIN 1. SOURCE<br/> 2. DRAIN<br/> 3. DRAIN<br/> 4. SOURCE<br/> 5. SOURCE<br/> 6. GATE<br/> 7. GATE<br/> 8. SOURCE</p>  | <p>STYLE 7:<br/> PIN 1. INPUT<br/> 2. EXTERNAL BYPASS<br/> 3. THIRD STAGE SOURCE<br/> 4. GROUND<br/> 5. DRAIN<br/> 6. GATE 3<br/> 7. SECOND STAGE Vd<br/> 8. FIRST STAGE Vd</p>                    | <p>STYLE 8:<br/> PIN 1. COLLECTOR, DIE #1<br/> 2. BASE, #1<br/> 3. BASE, #2<br/> 4. COLLECTOR, #2<br/> 5. COLLECTOR, #2<br/> 6. EMITTER, #2<br/> 7. EMITTER, #1<br/> 8. COLLECTOR, #1</p>                              |
| <p>STYLE 9:<br/> PIN 1. EMITTER, COMMON<br/> 2. COLLECTOR, DIE #1<br/> 3. COLLECTOR, DIE #2<br/> 4. EMITTER, COMMON<br/> 5. EMITTER, COMMON<br/> 6. BASE, DIE #2<br/> 7. BASE, DIE #1<br/> 8. EMITTER, COMMON</p> | <p>STYLE 10:<br/> PIN 1. GROUND<br/> 2. BIAS 1<br/> 3. OUTPUT<br/> 4. GROUND<br/> 5. GROUND<br/> 6. BIAS 2<br/> 7. INPUT<br/> 8. GROUND</p>  | <p>STYLE 11:<br/> PIN 1. SOURCE 1<br/> 2. GATE 1<br/> 3. SOURCE 2<br/> 4. GATE 2<br/> 5. DRAIN 2<br/> 6. DRAIN 2<br/> 7. DRAIN 1<br/> 8. DRAIN 1</p>   | <p>STYLE 12:<br/> PIN 1. SOURCE<br/> 2. SOURCE<br/> 3. SOURCE<br/> 4. GATE<br/> 5. DRAIN<br/> 6. DRAIN<br/> 7. DRAIN<br/> 8. DRAIN</p>   |
| <p>STYLE 13:<br/> PIN 1. N.C.<br/> 2. SOURCE<br/> 3. SOURCE<br/> 4. GATE<br/> 5. DRAIN<br/> 6. DRAIN<br/> 7. DRAIN<br/> 8. DRAIN</p>  | <p>STYLE 14:<br/> PIN 1. N-SOURCE<br/> 2. N-GATE<br/> 3. P-SOURCE<br/> 4. P-GATE<br/> 5. P-DRAIN<br/> 6. P-DRAIN<br/> 7. N-DRAIN<br/> 8. N-DRAIN</p>   | <p>STYLE 15:<br/> PIN 1. ANODE 1<br/> 2. ANODE 1<br/> 3. ANODE 1<br/> 4. ANODE 1<br/> 5. CATHODE, COMMON<br/> 6. CATHODE, COMMON<br/> 7. CATHODE, COMMON<br/> 8. CATHODE, COMMON</p>               | <p>STYLE 16:<br/> PIN 1. EMITTER, DIE #1<br/> 2. BASE, DIE #1<br/> 3. EMITTER, DIE #2<br/> 4. BASE, DIE #2<br/> 5. COLLECTOR, DIE #2<br/> 6. COLLECTOR, DIE #2<br/> 7. COLLECTOR, DIE #1<br/> 8. COLLECTOR, DIE #1</p> |
| <p>STYLE 17:<br/> PIN 1. VCC<br/> 2. V2OUT<br/> 3. V1OUT<br/> 4. TXE<br/> 5. RXE<br/> 6. VEE<br/> 7. GND<br/> 8. ACC</p>  | <p>STYLE 18:<br/> PIN 1. ANODE<br/> 2. ANODE<br/> 3. SOURCE<br/> 4. GATE<br/> 5. DRAIN<br/> 6. DRAIN<br/> 7. CATHODE<br/> 8. CATHODE</p>   | <p>STYLE 19:<br/> PIN 1. SOURCE 1<br/> 2. GATE 1<br/> 3. SOURCE 2<br/> 4. GATE 2<br/> 5. DRAIN 2<br/> 6. MIRROR 2<br/> 7. DRAIN 1<br/> 8. MIRROR 1</p>   | <p>STYLE 20:<br/> PIN 1. SOURCE (N)<br/> 2. GATE (N)<br/> 3. SOURCE (P)<br/> 4. GATE (P)<br/> 5. DRAIN<br/> 6. DRAIN<br/> 7. DRAIN<br/> 8. DRAIN</p>   |
| <p>STYLE 21:<br/> PIN 1. CATHODE 1<br/> 2. CATHODE 2<br/> 3. CATHODE 3<br/> 4. CATHODE 4<br/> 5. CATHODE 5<br/> 6. COMMON ANODE<br/> 7. COMMON ANODE<br/> 8. CATHODE 6</p>  | <p>STYLE 22:<br/> PIN 1. I/O LINE 1<br/> 2. COMMON CATHODE/VCC<br/> 3. COMMON CATHODE/VCC<br/> 4. I/O LINE 3<br/> 5. COMMON ANODE/GND<br/> 6. I/O LINE 4<br/> 7. I/O LINE 5<br/> 8. COMMON ANODE/GND</p> | <p>STYLE 23:<br/> PIN 1. LINE 1 IN<br/> 2. COMMON ANODE/GND<br/> 3. COMMON ANODE/GND<br/> 4. LINE 2 IN<br/> 5. LINE 2 OUT<br/> 6. COMMON ANODE/GND<br/> 7. COMMON ANODE/GND<br/> 8. LINE 1 OUT</p> | <p>STYLE 24:<br/> PIN 1. BASE<br/> 2. EMITTER<br/> 3. COLLECTOR/ANODE<br/> 4. COLLECTOR/ANODE<br/> 5. CATHODE<br/> 6. CATHODE<br/> 7. COLLECTOR/ANODE<br/> 8. COLLECTOR/ANODE</p>                                      |
| <p>STYLE 25:<br/> PIN 1. VIN<br/> 2. N/C<br/> 3. REXT<br/> 4. GND<br/> 5. IOUT<br/> 6. IOUT<br/> 7. IOUT<br/> 8. IOUT</p>   | <p>STYLE 26:<br/> PIN 1. GND<br/> 2. dv/dt<br/> 3. ENABLE<br/> 4. ILIMIT<br/> 5. SOURCE<br/> 6. SOURCE<br/> 7. SOURCE<br/> 8. VCC</p>  | <p>STYLE 27:<br/> PIN 1. ILIMIT<br/> 2. OVLO<br/> 3. UVLO<br/> 4. INPUT+<br/> 5. SOURCE<br/> 6. SOURCE<br/> 7. SOURCE<br/> 8. DRAIN</p>  | <p>STYLE 28:<br/> PIN 1. SW_TO_GND<br/> 2. DASIC OFF<br/> 3. DASIC_SW_DET<br/> 4. GND<br/> 5. V_MON<br/> 6. VBULK<br/> 7. VBULK<br/> 8. VIN</p>  |
| <p>STYLE 29:<br/> PIN 1. BASE, DIE #1<br/> 2. EMITTER, #1<br/> 3. BASE, #2<br/> 4. EMITTER, #2<br/> 5. COLLECTOR, #2<br/> 6. COLLECTOR, #2<br/> 7. COLLECTOR, #1<br/> 8. COLLECTOR, #1</p>                        | <p>STYLE 30:<br/> PIN 1. DRAIN 1<br/> 2. DRAIN 1<br/> 3. GATE 2<br/> 4. SOURCE 2<br/> 5. SOURCE 1/DRAIN 2<br/> 6. SOURCE 1/DRAIN 2<br/> 7. SOURCE 1/DRAIN 2<br/> 8. GATE 1</p>                           |  |  |

|                         |                    |   |
|-------------------------|--------------------|---|
| <b>DOCUMENT NUMBER:</b> | <b>98ASB42564B</b> | Electronic versions are uncontrolled except when accessed directly from the Document Repository.<br>Printed versions are uncontrolled except when stamped "CONTROLLED COPY" in red. |
| <b>DESCRIPTION:</b>     | <b>SOIC-8 NB</b>   | <b>PAGE 2 OF 2</b>  |

**onsemi** and **ONSEMI** are trademarks of Semiconductor Components Industries, LLC dba **onsemi** or its subsidiaries in the United States and/or other countries. **onsemi** reserves the right to make changes without further notice to any products herein. **onsemi** makes no warranty, representation or guarantee regarding the suitability of its products for any particular purpose, nor does **onsemi** assume any liability arising out of the application or use of any product or circuit, and specifically disclaims any and all liability, including without limitation special, consequential or incidental damages. **onsemi** does not convey any license under its patent rights nor the rights of others.

**onsemi**, **Onsemi**, and other names, marks, and brands are registered and/or common law trademarks of Semiconductor Components Industries, LLC dba "**onsemi**" or its affiliates and/or subsidiaries in the United States and/or other countries. **onsemi** owns the rights to a number of patents, trademarks, copyrights, trade secrets, and other intellectual property. A listing of **onsemi**'s product/patent coverage may be accessed at [www.onsemi.com/site/pdf/Patent-Marking.pdf](http://www.onsemi.com/site/pdf/Patent-Marking.pdf). **onsemi** reserves the right to make changes at any time to any products or information herein, without notice. The information herein is provided "as-is" and **onsemi** makes no warranty, representation or guarantee regarding the accuracy of the information, product features, availability, functionality, or suitability of its products for any particular purpose, nor does **onsemi** assume any liability arising out of the application or use of any product or circuit, and specifically disclaims any and all liability, including without limitation special, consequential or incidental damages. Buyer is responsible for its products and applications using **onsemi** products, including compliance with all laws, regulations and safety requirements or standards, regardless of any support or applications information provided by **onsemi**. "Typical" parameters which may be provided in **onsemi** data sheets and/or specifications can and do vary in different applications and actual performance may vary over time. All operating parameters, including "Typicals" must be validated for each customer application by customer's technical experts. **onsemi** does not convey any license under any of its intellectual property rights nor the rights of others. **onsemi** products are not designed, intended, or authorized for use as a critical component in life support systems or any FDA Class 3 medical devices or medical devices with a same or similar classification in a foreign jurisdiction or any devices intended for implantation in the human body. Should Buyer purchase or use **onsemi** products for any such unintended or unauthorized application, Buyer shall indemnify and hold **onsemi** and its officers, employees, subsidiaries, affiliates, and distributors harmless against all claims, costs, damages, and expenses, and reasonable attorney fees arising out of, directly or indirectly, any claim of personal injury or death associated with such unintended or unauthorized use, even if such claim alleges that **onsemi** was negligent regarding the design or manufacture of the part. **onsemi** is an Equal Opportunity/Affirmative Action Employer. This literature is subject to all applicable copyright laws and is not for resale in any manner.

## ADDITIONAL INFORMATION

### TECHNICAL PUBLICATIONS:

Technical Library: [www.onsemi.com/design/resources/technical-documentation](http://www.onsemi.com/design/resources/technical-documentation)  
onsemi Website: [www.onsemi.com](http://www.onsemi.com)

### ONLINE SUPPORT: [www.onsemi.com/support](http://www.onsemi.com/support)

For additional information, please contact your local Sales Representative at [www.onsemi.com/support/sales](http://www.onsemi.com/support/sales)