

# Fixed Frequency Current-Mode Controller for Flyback Converter



SOIC-7  
CASE 751U

## NCP1239

The NCP1239 is a fixed-frequency current-mode controller featuring a high-voltage start-up current source to provide a quick and lossless power-on sequence. This function greatly simplifies the design of the auxiliary supply and the  $V_{CC}$  capacitor by activating the internal start-up current source to supply the controller during start-up, transients, latch, stand-by etc.

With a supply range up to 35 V, the controller hosts a jittered 65 or 100-kHz switching circuitry operated in peak current mode control. When the power on the secondary side starts to decrease, the controller automatically folds back its switching frequency down to minimum level of 26 kHz. As the power further goes down, the part enters skip cycle while limiting the peak current that insures excellent efficiency in light load condition.

NCP1239 features a timer-based fault detection circuitry that ensures a quasi-flat overload detection, independent of the input voltage.

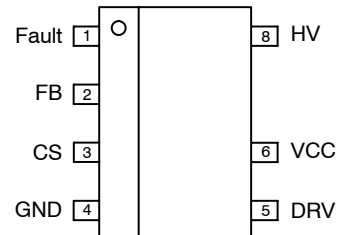
### Features

- Fixed-Frequency 65-kHz or 100-kHz Current-Mode Control Operation
- Frequency Foldback Down to 26 kHz and Skip Mode to Maximize Performance in Light Load Conditions
- Adjustable Over Power Protection (OPP) Circuit
- High-Voltage Current Source with Brown-Out (BO) Detection
- Internal Slope Compensation
- Internal Fixed Soft-Start
- Frequency Jittering in Normal and Frequency Foldback Modes
- 64-ms Timer-Based Short-Circuit Protection with Auto-Recovery or Latched Operation
- Pre-Short Ready for Latched OCP Versions
- Latched OVP on  $V_{CC}$  – Autorecovery for C and E Versions
- Latched OVP/OTP Input for Improved Robustness
- 35-V  $V_{CC}$  Operation
- $\pm 500$  mA Peak Source/Sink Drive Capability
- Internal Thermal Shutdown
- Extremely Low No-Load Standby Power
- Pin-to-Pin Compatible with the Existing NCP1236/1247 Series
- These Devices are Pb-Free and are RoHS Compliant

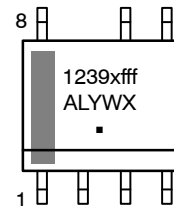
### Typical Applications

- AC-DC Converters for TVs, Set-Top Boxes and Printers
- Offline Adapters for Notebooks and Netbooks

### PIN CONNECTIONS



### MARKING DIAGRAM



- 1239xfff = Specific Device Code
- x = A, B, C, D, E, F, G, H, I, J, K, L, M, N, P, Q or R
- fff = 065 or 100
- A = Assembly Location
- L = Wafer Lot
- Y = Year
- W = Work Week
- = Pb-Free Package

### ORDERING INFORMATION

See detailed ordering and shipping information on page 26 of this data sheet.

# NCP1239

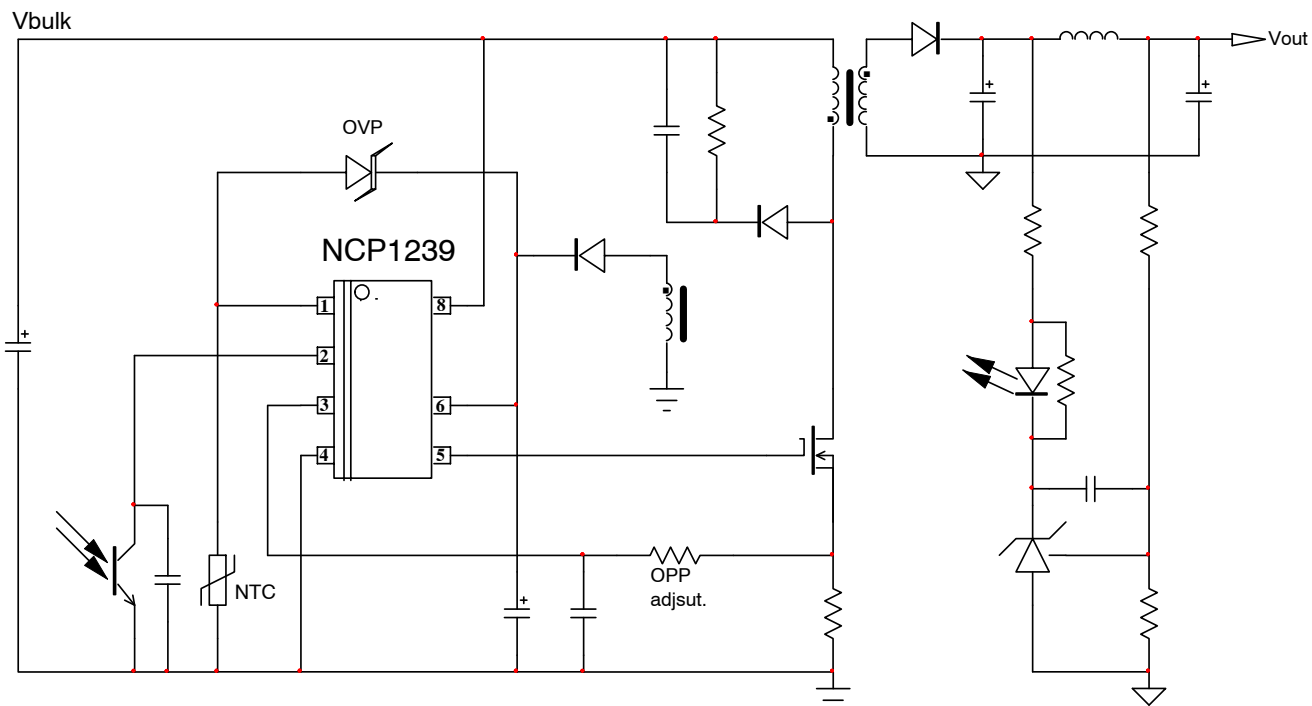


Figure 1. Application Schematic (OPP Adjustment)

Table 1. PIN FUNCTION DESCRIPTION

| Pin No. | Pin Name | Description  |
|---------|----------|--|
| 1       | Fault    | The controller enters fault mode if the voltage of this pin is pulled above or below the fault thresholds. A precise pull up current source allows direct interface with an NTC thermistor. Fault detection triggers a latch.        |
| 2       | FB       | Hooking an optocoupler collector to this pin will allow regulation.  |
| 3       | CS       | This pin monitors the primary peak current but also offers an overpower compensation adjustment. When the CS pin is brought above 1.2 V, the part is permanently latched off.  |
| 4       | GND      | The controller ground.   |
| 5       | DRV      | The driver's output to an external MOSFET gate.  |
| 6       | VCC      | This pin is connected to an external auxiliary voltage. An OVP comparator monitors this pin and offers a means to latch the converter in fault conditions.   |
| 7       | NC       | Non-connected for improved creepage distance.  |
| 8       | HV       | Connected to the bulk capacitor or rectified ac line, this pin powers the internal current source to deliver a start-up current. It is also used to provide the brown-out detection and the HV sensing for the Overpower protection. |

## NCP1239

**Table 2. DEVICE OPTION AND DESIGNATIONS**

| Device          | Fre-<br>quency | OCP<br>Protection | OCP<br>Timer | V <sub>cc</sub> OVP<br>Threshold | V <sub>cc</sub> OVP<br>Protection | Fault pin<br>Protection | BO<br>Levels | BO<br>Timer | Soft-<br>start<br>Timer | DSS<br>Func-<br>tion |
|-----------------|----------------|-------------------|--------------|----------------------------------|-----------------------------------|-------------------------|--------------|-------------|-------------------------|----------------------|
| NCP1239AD65R2G  | 65 kHz         | Latch             | 64 ms        | 25.5 V                           | Latch                             | Latch                   | 110 / 101    | 68 ms       | 8 ms                    | Disable              |
| NCP1239BD65R2G  | 65 kHz         | Auto-<br>Recovery | 64 ms        | 25.5 V                           | Latch                             | Latch                   | 110 / 101    | 68 ms       | 8 ms                    | Disable              |
| NCP1239CD65R2G  | 65 kHz         | Auto-<br>Recovery | 64 ms        | 25.5 V                           | Auto-<br>Recovery                 | Latch                   | 110 / 101    | 68 ms       | 8 ms                    | Disable              |
| NCP1239DD65R2G  | 65 kHz         | Auto-<br>Recovery | 64 ms        | 25.5 V                           | Latch                             | Latch                   | 101 / 95     | 68 ms       | 8 ms                    | Disable              |
| NCP1239ED65R2G  | 65 kHz         | Auto-<br>Recovery | 64 ms        | 25.5 V                           | Auto-<br>Recovery                 | Auto-<br>Recovery       | 110 / 101    | 68 ms       | 8 ms                    | Disable              |
| NCP1239FD65R2G  | 65 kHz         | Latch             | 64 ms        | 32 V                             | Latch                             | Latch                   | 229 / 176    | 68 ms       | 4 ms                    | Disable              |
| NCP1239HD65R2G  | 65 kHz         | Latch             | 64 ms        | 25.5 V                           | Latch                             | Latch                   | 229 / 224    | 68 ms       | 8 ms                    | Disable              |
| NCP1239ID65R2G  | 65 kHz         | Latch             | 128 ms       | 25.5 V                           | Latch                             | Latch                   | 101 / 95     | 68 ms       | 4 ms                    | Disable              |
| NCP1239JD65R2G  | 65 kHz         | Latch             | 128 ms       | 32 V                             | Latch                             | Latch                   | 101 / 95     | 68 ms       | 8 ms                    | Enable               |
| NCP1239KD65R2G  | 65 kHz         | Auto-<br>Recovery | 128 ms       | 25.5 V                           | Auto-<br>Recovery                 | Auto-<br>Recovery       | 110 / 101    | 68 ms       | 8 ms                    | Disable              |
| NCP1239LD65R2G  | 65 kHz         | Auto-<br>Recovery | 128 ms       | 25.5 V                           | Latch                             | Latch                   | 82 / 77      | 68 ms       | 4 ms                    | Disable              |
| NCP1239MD65R2G  | 65 kHz         | Auto-<br>Recovery | 128 ms       | 32 V                             | Auto-<br>Recovery                 | Auto-<br>Recovery       | 229 / 224    | 68 ms       | 4 ms                    | Enable               |
| NCP1239ND65R2G  | 65 kHz         | Auto-<br>Recovery | 128 ms       | 32 V                             | Auto-<br>Recovery                 | Latch                   | 229 / 224    | 68 ms       | 4 ms                    | Enable               |
| NCP1239PD65R2G  | 65 kHz         | Auto-<br>Recovery | 64 ms        | 25.5 V                           | Auto-<br>Recovery                 | Auto-<br>Recovery       | 82 / 79      | 68 ms       | 8 ms                    | Disable              |
| NCP1239QD65R2G  | 65 kHz         | Auto-<br>Recovery | 128 ms       | 25.5 V                           | Auto-<br>Recovery                 | Auto-<br>Recovery       | 82 / 79      | 68 ms       | 8 ms                    | Disable              |
| NCP1239RD65R2G  | 65 kHz         | Auto-<br>Recovery | 128 ms       | 25.5 V                           | Latch                             | Latch                   | 101 / 95     | 272 ms      | 4 ms                    | Disable              |
| NCP1239AD100R2G | 100 kHz        | Latch             | 64 ms        | 25.5 V                           | Latch                             | Latch                   | 110 / 101    | 68 ms       | 8 ms                    | Disable              |
| NCP1239BD100R2G | 100 kHz        | Auto-<br>Recovery | 64 ms        | 25.5 V                           | Latch                             | Latch                   | 110 / 101    | 68 ms       | 8 ms                    | Disable              |
| NCP1239DD100R2G | 100 kHz        | Auto-<br>Recovery | 64 ms        | 25.5 V                           | Latch                             | Latch                   | 101 / 95     | 68 ms       | 8 ms                    | Disable              |
| NCP1239ED100R2G | 100 kHz        | Auto-<br>Recovery | 64 ms        | 25.5 V                           | Auto-<br>Recovery                 | Auto-<br>Recovery       | 110 / 101    | 68 ms       | 8 ms                    | Disable              |
| NCP1239GD100R2G | 100 kHz        | Latch             | 64 ms        | 25.5 V                           | Latch                             | Latch                   | 95 / 86      | 136 ms      | 8 ms                    | Disable              |
| NCP1239LD100R2G | 100 kHz        | Auto-<br>Recovery | 128 ms       | 25.5 V                           | Latch                             | Latch                   | 82 / 77      | 68 ms       | 4 ms                    | Disable              |

# NCP1239

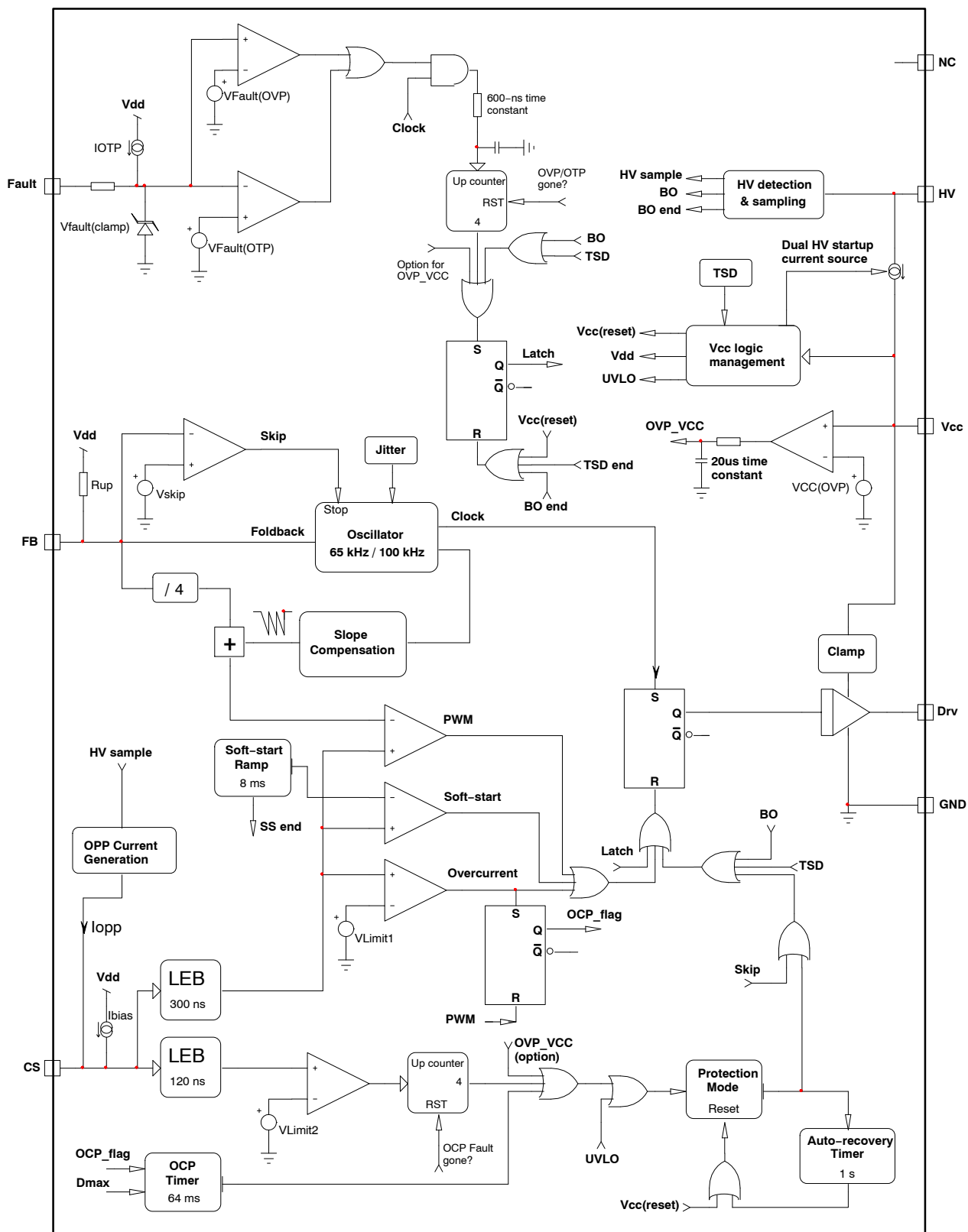


Figure 2. Simplified Block Diagram

Table 3. MAXIMUM RATINGS

| Rating  | Symbol                                | Value       | Unit |
|---|---------------------------------------|-------------|------|
| Power Supply Voltage, V <sub>CC</sub> Pin, Continuous Voltage   | V <sub>CC</sub>                       | -0.3 to 35  | V    |
| Maximum Voltage on Low Power Pins CS, FB and Fault  |                                       | -0.3 to 5.5 | V    |
| Maximum Voltage on DRV Pin  | V <sub>DRV</sub>                      | -0.3 to 20  | V    |
| High Voltage Pin  | HV                                    | -0.3 to 650 | V    |
| Thermal Resistance Junction-to-Air<br>Single Layer PCB 25 mm <sup>2</sup> , 2 Oz Cu Printed Circuit Copper Clad | R <sub>θJ-A</sub>                     | 250         | °C/W |
| Maximum Junction Temperature  | T <sub>J(max)</sub>                   | 150         | °C   |
| Storage Temperature Range   | TSTG                                  | -60 to 150  | °C   |
| ESD Capability (Note 2)   | Human Body Model – All Pins Except HV | 4           | kV   |
|   | Machine Model                         | 200         | V    |
| Charged-Device Model ESD Capability per JEDEC JESD22-C101E  |                                       | 1           | kV   |
| Moisture Sensitivity Level  | MSL                                   | 1           |      |

Stresses exceeding those listed in the Maximum Ratings table may damage the device. If any of these limits are exceeded, device functionality should not be assumed, damage may occur and reliability may be affected.

1. Refer to ELECTRICAL CHARACTERISTICS, RECOMMENDED OPERATING RANGES and/or APPLICATION INFORMATION for Safe Operating parameters.
2. This device series incorporates ESD protection and is tested by the following methods:  
 ESD Human Body Model tested per JEDEC JESD22-A114F  
 ESD Machine Model tested per JEDEC JESD22-A115C  
 Charged-Device Model ESD Capability tested per JEDEC JESD22-C101E  
 Latch-up Current Maximum Rating: ≤ 150 mA per JEDEC standard: JESD78

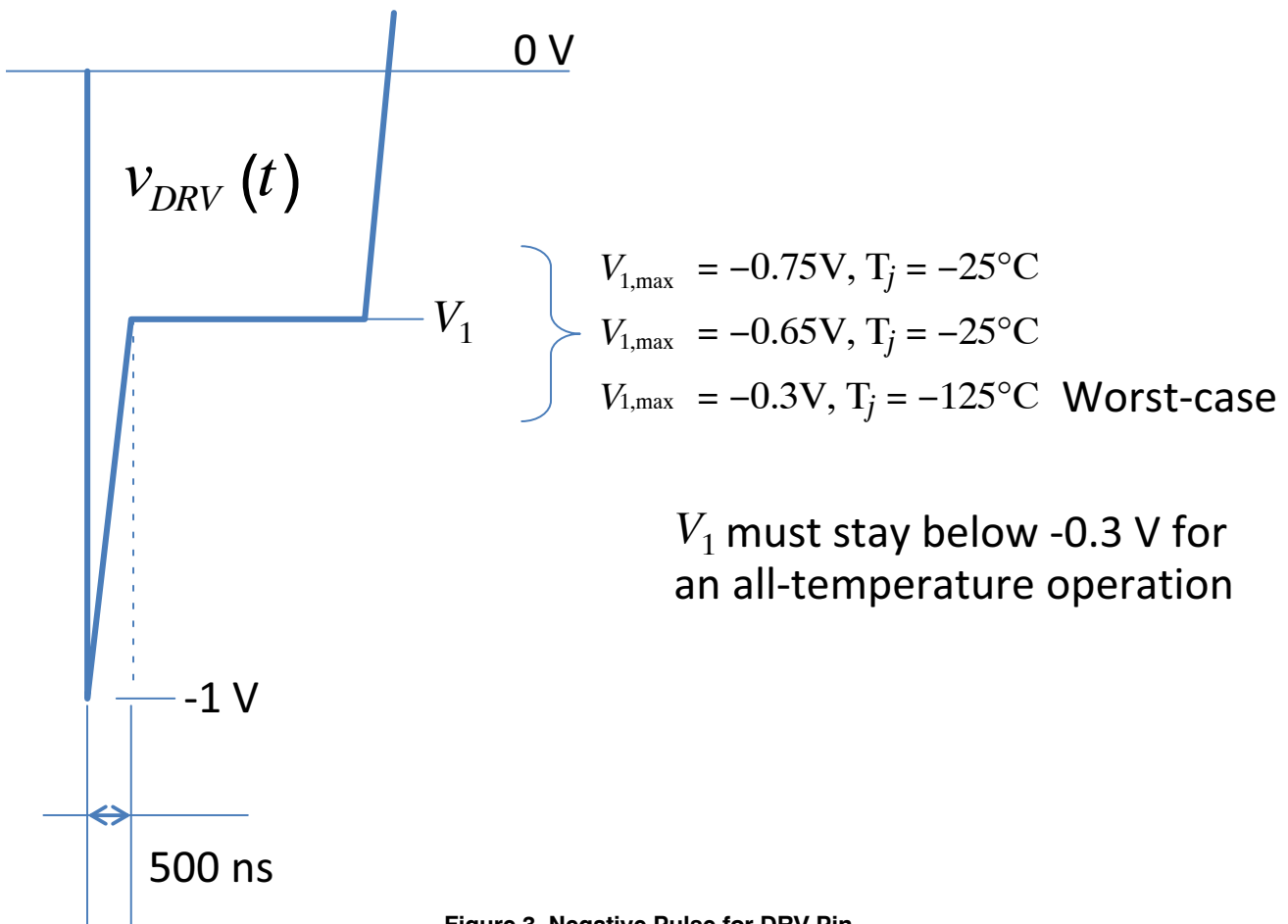


Figure 3. Negative Pulse for DRV Pin

# NCP1239

**Table 4. ELECTRICAL CHARACTERISTICS**

 (For typical values  $T_J = 25^\circ\text{C}$ , for min/max Values  $T_J = -40^\circ\text{C}$  to  $+125^\circ\text{C}$ ,  $V_{HV} = 125\text{ V}$ ,  $V_{CC} = 11\text{ V}$  unless otherwise noted)

| Parameter  | Test Conditions  | Symbol            | Min  | Typ  | Max  | Unit          |
|--|--|-------------------|------|------|------|---------------|
| <b>START-UP SECTION</b>                                      |  |                   |      |      |      |               |
| Minimum Voltage for Current Source Operation                 | $I_{HV} = 90\% I_{START2}$ ,<br>$V_{CC} = V_{CC(on)} - 0.5\text{ V}$   | $V_{HV(min)}$     | -    | 25   | 60   | V             |
| Current Flowing Out of $V_{CC}$ Pin                          | $V_{CC} = 0\text{ V}$  | $I_{START1}$      | 0.2  | 0.5  | 0.8  | mA            |
| Current Flowing Out of $V_{CC}$ Pin                          | $V_{CC} = V_{CC(on)} - 0.5\text{ V}$   | $I_{START2}$      | 1.5  | 3    | 4.5  | mA            |
| HV Pin Leakage Current                                       | $V_{HV} = 325\text{ V}$  | $I_{LEAK1}$       | -    | 8    | 20   | $\mu\text{A}$ |
| <b>SUPPLY SECTION</b>  |  |                   |      |      |      |               |
| Start-Up Threshold<br>HV Current Source Stop Threshold       | $V_{CC}$ Increasing  | $V_{CC(on)}$      | 11.0 | 12.0 | 13.0 | V             |
| HV Current Source Restart Threshold                          | $V_{CC}$ Decreasing  | $V_{CC(min)}$     | 9.0  | 10.0 | 11.0 | V             |
| Minimum Operating Voltage                                    | $V_{CC}$ Decreasing  | $V_{CC(off)}$     | 8.0  | 8.8  | 9.4  | V             |
| Operating Hysteresis   | $V_{CC(on)} = V_{CC(off)}$   | $V_{CC(hys)}$     | 3.0  | -    | -    | V             |
| $V_{CC}$ Level for $I_{START1}$ to $I_{START2}$ Transition   |  | $V_{CC(inhibit)}$ | 0.7  | 1.2  | 1.7  | V             |
| $V_{CC}$ Level where Logic Functions are Reset               | $V_{CC}$ Decreasing  | $V_{CC(reset)}$   | 6.5  | 7    | 7.5  | V             |
| Internal IC Consumption                                      | $V_{FB} = 3.2\text{ V}$ , $F_{SW} = 65\text{ kHz}$<br>and $C_L = 0$  | ICC1              | -    | 1.4  | 2.2  | mA            |
| Internal IC Consumption                                      | $V_{FB} = 3.2\text{ V}$ , $F_{SW} = 65\text{ kHz}$<br>and $C_L = 1\text{ nF}$  | ICC2              | -    | 2.1  | 3.0  | mA            |
| Internal IC Consumption                                      | $V_{FB} = 3.2\text{ V}$ , $F_{SW} = 100\text{ kHz}$<br>and $C_L = 0$   | ICC1              | -    | 1.7  | 2.5  | mA            |
| Internal IC Consumption                                      | $V_{FB} = 3.2\text{ V}$ , $F_{SW} = 100\text{ kHz}$<br>and $C_L = 1\text{ nF}$                                       | ICC2              | -    | 3.1  | 4.0  | mA            |
| Internal IC Consumption in Skip Cycle                        | $V_{CC} = 12\text{ V}$ , $V_{FB} = 0.775\text{ V}$<br>Driving 8 A/600 V MOSFET                                       | ICC(stb)          | -    | 500  | -    | $\mu\text{A}$ |
| Internal IC Consumption in Skip Cycle<br>L, P and Q versions | $V_{CC} = 12\text{ V}$ , $V_{FB} = 0.775\text{ V}$<br>Driving 8 A/600 V MOSFET                                       | ICC(stb)          | -    | 565  | -    | $\mu\text{A}$ |
| Internal IC Consumption in Fault Mode                        | Fault or Latch   | ICC3              | -    | 400  | -    | $\mu\text{A}$ |
| Internal IC Consumption in Fault Mode<br>L, P and Q versions | Fault or Latch   | ICC3              | -    | 480  | -    | $\mu\text{A}$ |
| Internal IC Consumption before Start-Up                      | $V_{CC(min)} < V_{CC} < V_{CC(on)}$  | ICC4              | -    | 310  | -    | $\mu\text{A}$ |
| Internal IC Consumption before Start-Up                      | $V_{CC} < V_{CC(min)}$   | ICC5              | -    | 20   | -    | $\mu\text{A}$ |
| <b>DRIVE OUTPUT</b>  |  |                   |      |      |      |               |
| Rise Time (10–90%)   | $V_{DRV}$ from 10 to 90%<br>$V_{CC} = V_{CC(off)} + 0.2\text{ V}$ ,<br>$C_L = 1\text{ nF}$                           | $t_R$             | -    | 40   | -    | ns            |
| Fall Time (90–10%)   | $V_{DRV}$ from 90 to 10%<br>$V_{CC} = V_{CC(off)} + 0.2\text{ V}$ ,<br>$C_L = 1\text{ nF}$                           | $t_F$             | -    | 30   | -    | ns            |
| Source Resistance  |  | $R_{OH}$          | -    | 6    | -    | $\Omega$      |
| Sink Resistance  |  | $R_{OL}$          | -    | 6    | -    | $\Omega$      |
| Peak Source Current  | DRV High State,<br>$V_{DRV} = 0\text{ V}$ (Note 1)<br>$V_{CC} = V_{CC(off)} + 0.2\text{ V}$ ,<br>$C_L = 1\text{ nF}$ | $I_{SOURCE}$      | -    | 500  | -    | mA            |

Product parametric performance is indicated in the Electrical Characteristics for the listed test conditions, unless otherwise noted. Product performance may not be indicated by the Electrical Characteristics if operated under different conditions.

- Guaranteed by design
- CS pin source current is a sum of  $I_{BIAS}$  and  $I_{OPP}$ , thus at  $V_{HV} = 125\text{ V}$  is observed the  $I_{BIAS}$  only, because  $I_{OPC}$  is switched off.

# NCP1239

**Table 4. ELECTRICAL CHARACTERISTICS** (continued)

 (For typical values  $T_J = 25^\circ\text{C}$ , for min/max Values  $T_J = -40^\circ\text{C}$  to  $+125^\circ\text{C}$ ,  $V_{HV} = 125\text{ V}$ ,  $V_{CC} = 11\text{ V}$  unless otherwise noted)

| Parameter | Test Conditions | Symbol | Min | Typ | Max | Unit |
|-----------|-----------------|--------|-----|-----|-----|------|
|-----------|-----------------|--------|-----|-----|-----|------|

**DRIVE OUTPUT**

|   |   |                  |      |      |      |    |
|---|---|------------------|------|------|------|----|
| Peak Sink Current                           | DRV Low State,<br>$V_{DRV} = V_{CC}$ (Note 1)<br>$V_{CC} = V_{CC(off)} + 0.2\text{ V}$ ,<br>$C_L = 1\text{ nF}$ | $I_{SINK}$       | –    | 500  | –    | mA |
| High State Voltage<br>(Low $V_{CC}$ Level)  | $V_{CC} = 9\text{ V}$ , $R_{DRV} = 33\text{ k}\Omega$<br>DRV High State   | $V_{DRV(low)}$   | 8.8  | –    | –    | V  |
| High State Voltage<br>(High $V_{CC}$ Level) | $V_{CC} = V_{CC(OVP)} - 0.2\text{ V}$ ,<br>DRV High State and Unloaded  | $V_{DRV(clamp)}$ | 11.0 | 13.5 | 16.0 | V  |

**CURRENT COMPARATOR**

|   |  |                  |       |       |       |               |
|---|--|------------------|-------|-------|-------|---------------|
| Input Pull-Up Current   | $V_{CS} = 0.7\text{ V}$  | $I_{BIAS}$       | –     | 1     | –     | $\mu\text{A}$ |
| Maximum Internal Current Setpoint                                       | $T_J$ from $-40^\circ\text{C}$ to $+125^\circ\text{C}$<br>(No OPP)   | $V_{LIMIT1}$     | 0.752 | 0.800 | 0.848 | V             |
| Abnormal Over-Current Fault Threshold                                   | $T_J = +25^\circ\text{C}$ (No OPP)   | $V_{LIMIT2}$     | 1.10  | 1.20  | 1.30  | V             |
| Default Internal Voltage Set Point for<br>Frequency Foldback Trip Point | $\sim 59\%$ of $V_{LIMIT}$   | $V_{FOLD(CS)}$   | –     | 475   | –     | mV            |
| Internal Peak Current Setpoint Freeze                                   | $\sim 31\%$ of $V_{LIMIT}$   | $V_{FREEZE(CS)}$ | –     | 250   | –     | mV            |
| Propagation Delay from $V_{LIMIT}$ Detection to<br>Gate Off-State       | DRV Output Unloaded  | $t_{DEL}$        | –     | 50    | 100   | ns            |
| Leading Edge Blanking Duration  |  | $t_{LEB1}$       | –     | 300   | –     | ns            |
| Abnormal Over-Current Fault Blanking<br>Duration for $V_{LIMIT3}$       |  | $t_{LEB2}$       | –     | 120   | –     | ns            |
| Number of Clock Cycles before Fault<br>Confirmation                     |  | $t_{COUNT}$      | –     | 4     | –     |               |
| Internal Soft-Start Duration  | Activated upon startup or<br>auto-recovery<br>A, B, C, D, E, G, H, J, K, P or Q<br>versions<br>F, I, L, M, N or R versions | $t_{SS}$         | –     | 8     | –     | ms            |
|   |  |                  | –     | 4     | –     |               |

**INTERNAL OSCILLATOR**

|   |  |              |    |         |     |     |
|---|--|--------------|----|---------|-----|-----|
| Oscillation Frequency (65-kHz Version)  |  | $f_{OSC}$    | 60 | 65      | 70  | kHz |
| Oscillation Frequency (100-kHz Version) |  | $f_{OSC}$    | 92 | 100     | 108 | kHz |
| Maximum Duty-Cycle                      |  | $D_{MAX}$    | 76 | 80      | 84  | %   |
| Frequency Jittering                     | In Percentage of $f_{OSC}$ – Jitter is<br>Kept even in Foldback Mode | $f_{JITTER}$ | –  | $\pm 5$ | –   | %   |
| Swing Frequency                         |  | $f_{SWING}$  | –  | 240     | –   | Hz  |

**FEEDBACK SECTION**

|  |          |               |     |     |   |                  |
|--|----------|---------------|-----|-----|---|------------------|
| Equivalent AC Resistor from FB to GND                      | (Note 1) | $R_{EQ}$      | –   | 25  | – | $\text{k}\Omega$ |
| Internal Pull-Up Voltage on FB Pin                         | FB open  | $V_{FB(ref)}$ | 4.1 | 4.3 | – | V                |
| $V_{FB}$ to Current Setpoint Division Ratio                |          | $K_{FB}$      | –   | 4   | – |                  |
| Feedback Voltage below which the Peak<br>Current is Frozen |          | $V_{FREEZE}$  | –   | 1.0 | – | V                |

**FREQUENCY FOLDBACK**

|                                    |   |            |   |      |   |   |
|------------------------------------|---|------------|---|------|---|---|
| Frequency Foldback Level on FB Pin | $\approx 59\%$ of Maximum Peak<br>Current | $V_{FOLD}$ | – | 1.90 | – | V |
|------------------------------------|---|------------|---|------|---|---|

Product parametric performance is indicated in the Electrical Characteristics for the listed test conditions, unless otherwise noted. Product performance may not be indicated by the Electrical Characteristics if operated under different conditions.

1. Guaranteed by design

2. CS pin source current is a sum of  $I_{BIAS}$  and  $I_{OPP}$ , thus at  $V_{HV} = 125\text{ V}$  is observed the  $I_{BIAS}$  only, because  $I_{OPC}$  is switched off.

# NCP1239

**Table 4. ELECTRICAL CHARACTERISTICS** (continued)

(For typical values  $T_J = 25^\circ\text{C}$ , for min/max Values  $T_J = -40^\circ\text{C}$  to  $+125^\circ\text{C}$ ,  $V_{HV} = 125\text{ V}$ ,  $V_{CC} = 11\text{ V}$  unless otherwise noted)

| Parameter  | Test Conditions   | Symbol   | Min                | Typ                   | Max                | Unit              |
|--|---|--|--------------------|-----------------------|--------------------|-------------------|
| <b>FREQUENCY FOLDBACK</b>  |   |  |                    |                       |                    |                   |
| Transition Frequency below which Skip-Cycle Occurs                                 | $V_{FB} = V_{SKIP} + 0.5\text{ V}$  | $f_{TRANS}$  | 22                 | 26                    | 30                 | kHz               |
| End of Frequency Foldback Feedback Level   | $f_{SW} = f_{MIN}$  | $V_{FOLD(end)}$  | -                  | 1.50                  | -                  | V                 |
| Skip-Cycle Level Voltage on FB Pin   |   | $V_{SKIP}$   | -                  | 0.80                  | -                  | V                 |
| Hysteresis on the Skip Comparator  | (Note 1)  | $V_{SKIP(hyst)}$   | -                  | 30                    | -                  | mV                |
| <b>INTERNAL RAMP COMPENSATION</b>  |   |  |                    |                       |                    |                   |
| Compensation Ramp Slope  | $F_{SW} = 65\text{ kHz}, R_{UP} = 30\text{ k}\Omega$<br>$F_{SW} = 100\text{ kHz}, R_{UP} = 30\text{ k}\Omega$ | $S_{65}$<br>$S_{100}$  | -                  | -29<br>-45            | -                  | mV/ $\mu\text{s}$ |
| <b>OVERPOWER COMPENSATION (OPP)</b>  |   |  |                    |                       |                    |                   |
| $V_{HV}$ to $I_{OPP}$ Conversion Ratio   |   | $K_{OPP}$  | -                  | 0.54                  | -                  | $\mu\text{A/V}$   |
| Current Flowing Out of CS Pin (Note 2)   | $V_{HV} = 125\text{ V}$<br>$V_{HV} = 162\text{ V}$<br>$V_{HV} = 328\text{ V}$<br>$V_{HV} = 365\text{ V}$      | $I_{OPP(125)}$<br>$I_{OPP(162)}$<br>$I_{OPP(328)}$<br>$I_{OPP(365)}$ | -<br>-<br>-<br>105 | 0<br>20<br>110<br>130 | -<br>-<br>-<br>150 | $\mu\text{A}$     |
| Current Flowing Out of CS Pin for L version (Note 2)                               | $V_{HV} = 108\text{ V}$<br>$V_{HV} = 145\text{ V}$<br>$V_{HV} = 294\text{ V}$<br>$V_{HV} = 327\text{ V}$      | $I_{OPP(108)}$<br>$I_{OPP(145)}$<br>$I_{OPP(294)}$<br>$I_{OPP(327)}$ | -<br>-<br>-<br>105 | 0<br>20<br>110<br>130 | -<br>-<br>-<br>150 | $\mu\text{A}$     |
| Percentage of Applied OPP Current  | $V_{FB} < V_{FOLD}$   | $I_{OPP1}$   | -                  | 0                     | -                  | %                 |
| Percentage of Applied OPP Current  | $V_{FB} > V_{FOLD} + 0.7\text{ V}$ ( $V_{OPP}$ )  | $I_{OPP2}$   | -                  | 100                   | -                  | %                 |
| Clamped OPP Current  | $V_{HV} > 365\text{ V}$   | $I_{OPP3}$   | 105                | 130                   | 150                | $\mu\text{A}$     |
| Watchdog Timer for DC Operation  |   | $t_{WD(OPP)}$  | -                  | 32                    | -                  | ms                |
| <b>BROWN-OUT (BO)</b>  |   |  |                    |                       |                    |                   |
| Brown-Out Thresholds (A,B,C,E & K versions)  | $V_{HV}$ Increasing   | $V_{BO(on)}$   | 100                | 110                   | 120                | V                 |
| Brown-Out Thresholds (A,B,C,E & K versions)  | $V_{HV}$ Decreasing   | $V_{BO(off)}$  | 93                 | 101                   | 109                | V                 |
| Brown-Out Thresholds (D, I, J and R versions)                                      | $V_{HV}$ Increasing   | $V_{BO(on)}$   | 92                 | 101                   | 110                | V                 |
| Brown-Out Thresholds (D, I, J and R versions)                                      | $V_{HV}$ Decreasing   | $V_{BO(off)}$  | 87                 | 95                    | 103                | V                 |
| Brown-Out Thresholds (F version only)  | $V_{HV}$ Increasing   | $V_{BO(on)}$   | 211                | 229                   | 247                | V                 |
| Brown-Out Thresholds (F version only)  | $V_{HV}$ Decreasing   | $V_{BO(off)}$  | 164                | 176                   | 188                | V                 |
| Brown-Out Thresholds (G version only)  | $V_{HV}$ Increasing   | $V_{BO(on)}$   | 86                 | 95                    | 104                | V                 |
| Brown-Out Thresholds (G version only)  | $V_{HV}$ Decreasing   | $V_{BO(off)}$  | 79                 | 86                    | 93                 | V                 |
| Brown-Out Thresholds (H, M and N versions)   | $V_{HV}$ Increasing   | $V_{BO(on)}$   | 211                | 229                   | 247                | V                 |
| Brown-Out Thresholds (H, M and N versions)   | $V_{HV}$ Decreasing   | $V_{BO(off)}$  | 208                | 224                   | 240                | V                 |
| Brown-Out Thresholds (L version only)  | $V_{HV}$ Increasing   | $V_{BO(on)}$   | 74                 | 82                    | 90                 | V                 |
| Brown-Out Thresholds (L version only)  | $V_{HV}$ Decreasing   | $V_{BO(off)}$  | 70                 | 77                    | 84                 | V                 |
| Brown-out thresholds (P and Q versions)  | $V_{HV}$ increasing   | $V_{BO(on)}$   | 74                 | 82                    | 90                 | V                 |
| Brown-out thresholds (P and Q versions)  | $V_{HV}$ decreasing   | $V_{BO(off)}$  | 72                 | 79                    | 86                 | V                 |
| Brown-Out Timer Duration (A, B, C, D, E, F, H, I, J, K, L, M, N, P and Q versions) | $V_{HV}$ Decreasing   | $t_{BO}$   | 54                 | 68                    | 82                 | ms                |
| Brown-Out Timer Duration (G version only)  | $V_{HV}$ Decreasing   | $t_{BO}$   | 110                | 136                   | 162                | ms                |
| Brown-Out Timer Duration (R version only)  | $V_{HV}$ Decreasing   | $t_{BO}$   | 216                | 272                   | 324                | ms                |

Product parametric performance is indicated in the Electrical Characteristics for the listed test conditions, unless otherwise noted. Product performance may not be indicated by the Electrical Characteristics if operated under different conditions.

- Guaranteed by design
- CS pin source current is a sum of  $I_{BIAS}$  and  $I_{OPP}$ , thus at  $V_{HV} = 125\text{ V}$  is observed the  $I_{BIAS}$  only, because  $I_{OPC}$  is switched off.



# NCP1239

**Table 4. ELECTRICAL CHARACTERISTICS** (continued)

(For typical values  $T_J = 25^\circ\text{C}$ , for min/max Values  $T_J = -40^\circ\text{C}$  to  $+125^\circ\text{C}$ ,  $V_{HV} = 125\text{ V}$ ,  $V_{CC} = 11\text{ V}$  unless otherwise noted)

| Parameter   | Test Conditions                                   | Symbol              | Min  | Typ  | Max  | Unit             |
|---|---|---------------------|------|------|------|------------------|
| <b>FAULT INPUT (OTP/OVP)</b>                                      |   |                     |      |      |      |                  |
| Over-Voltage Protection Threshold                                 | $V_{FAULT}$ Increasing                            | $V_{FAULT(OVP)}$    | 2.8  | 3.0  | 3.2  | V                |
| Over-Temperature Protection Threshold                             | $V_{FAULT}$ Decreasing                            | $V_{FAULT(OTP)}$    | 0.37 | 0.40 | 0.43 | V                |
| NTC Biasing Current   | $V_{FAULT} = 0\text{ V}$                          | $I_{OTP}$           | 39   | 45   | 51   | $\mu\text{A}$    |
| Additional NTC Biasing Current during Soft-Start Only             | $V_{FAULT} = 0\text{ V}$ – During Soft-Start Only | $I_{OTP\_boost}$    | 38   | 44   | 50   | $\mu\text{A}$    |
| Latch Clamping Voltage  | $I_{FAULT} = 0\text{ mA}$                         | $V_{FAULT(clamp)0}$ | 1.1  | 1.35 | 1.6  | V                |
| Latch Clamping Voltage  | $I_{FAULT} = 1\text{ mA}$                         | $V_{FAULT(clamp)1}$ | 2.2  | 2.7  | 3.2  | V                |
| Blanking Time after Drive Turn Off                                |   | $t_{LATCH(blank)}$  | –    | 1    | –    | $\mu\text{s}$    |
| Number of Clock Cycles before Latch Confirmation                  |   | $t_{LATCH(count)}$  | –    | 4    | –    |                  |
| <b>OVER-CURRENT PROTECTION (OCP)</b>                              |   |                     |      |      |      |                  |
| Internal OCP Timer Duration                                       | A, B, C, D, E, F, G, H and P versions             | $t_{OCP}$           | 51   | 64   | 77   | ms               |
| Internal OCP Timer Duration                                       | I, J, K, L, M, N, Q and R versions                | $t_{OCP}$           | 102  | 128  | 154  | ms               |
| Auto-Recovery Timer   |   | $t_{AUTOREC}$       | 0.85 | 1    | 1.35 | s                |
| <b><math>V_{CC}</math> OVER-VOLTAGE (<math>V_{CC}</math> OVP)</b> |   |                     |      |      |      |                  |
| Latched Over Voltage Protection on $V_{CC}$ Pin                   | A, B, C, D, E, G, H, I, K, L, P, Q or R versions  | $V_{CC(OVP)}$       | 24.0 | 25.5 | 27.0 | V                |
| Latched Over Voltage Protection on $V_{CC}$ Pin                   | F, J, M and N versions                            | $V_{CC(OVP)}$       | 30.0 | 32.0 | 34.0 | V                |
| Delay before OVP on $V_{CC}$ Confirmation                         |   | $t_{OVP(delay)}$    | –    | 20   | –    | $\mu\text{s}$    |
| <b>THERMAL SHUTDOWN (TSD)</b>                                     |   |                     |      |      |      |                  |
| Temperature Shutdown  | $T_J$ Increasing (Note 1)                         | $T_{SHDN}$          | 135  | 150  | 165  | $^\circ\text{C}$ |
| Temperature Shutdown Hysteresis                                   | $T_J$ Decreasing (Note 1)                         | $T_{SHDN(hys)}$     | –    | 20   | –    | $^\circ\text{C}$ |

Product parametric performance is indicated in the Electrical Characteristics for the listed test conditions, unless otherwise noted. Product performance may not be indicated by the Electrical Characteristics if operated under different conditions.

1. Guaranteed by design

2. CS pin source current is a sum of  $I_{BIAS}$  and  $I_{OPP}$ , thus at  $V_{HV} = 125\text{ V}$  is observed the  $I_{BIAS}$  only, because  $I_{OPC}$  is switched off.

TYPICAL PERFORMANCE CHARACTERISTICS



Figure 4.  $V_{CC(on)}$  vs. Junction Temperature



Figure 5.  $V_{CC(min)}$  vs. Junction Temperature



Figure 6.  $V_{CC(off)}$  vs. Junction Temperature



Figure 7.  $V_{CC(inhibit)}$  vs. Junction Temperature



Figure 8.  $ICC2$  (65-kHz Version) vs. Junction Temperature



Figure 9.  $ICC2$  (100-kHz Version) vs. Junction Temperature

TYPICAL PERFORMANCE CHARACTERISTICS



Figure 10.  $I_{START1}$  vs. Junction Temperature



Figure 11.  $I_{START2}$  vs. Junction Temperature



Figure 12.  $I_{LEAK1}$  vs. Junction Temperature

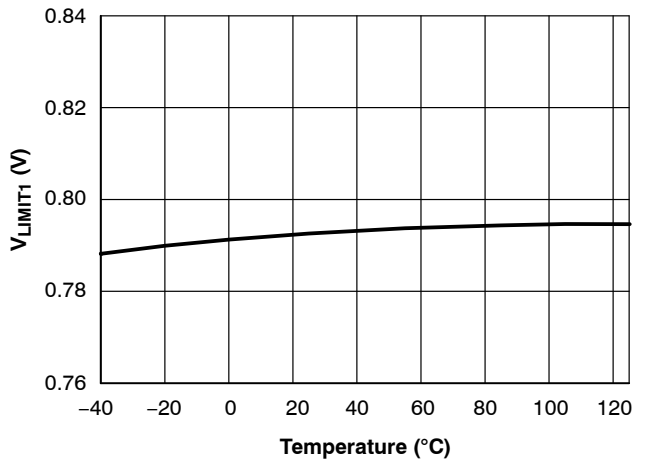


Figure 13.  $V_{LIMIT1}$  vs. Junction Temperature



Figure 14.  $V_{LIMIT2}$  vs. Junction Temperature



Figure 15.  $t_{DEL}$  vs. Junction Temperature

TYPICAL PERFORMANCE CHARACTERISTICS



Figure 16.  $t_{LEB1}$  vs. Junction Temperature



Figure 17.  $t_{LEB2}$  vs. Junction Temperature



Figure 18.  $t_{SS}$  vs. Junction Temperature



Figure 19.  $f_{OSC}$  (65-kHz Version) vs. Junction Temperature



Figure 20.  $f_{OSC}$  (100-kHz Version) vs. Junction Temperature



Figure 21.  $D_{MAX}$  vs. Junction Temperature

TYPICAL PERFORMANCE CHARACTERISTICS

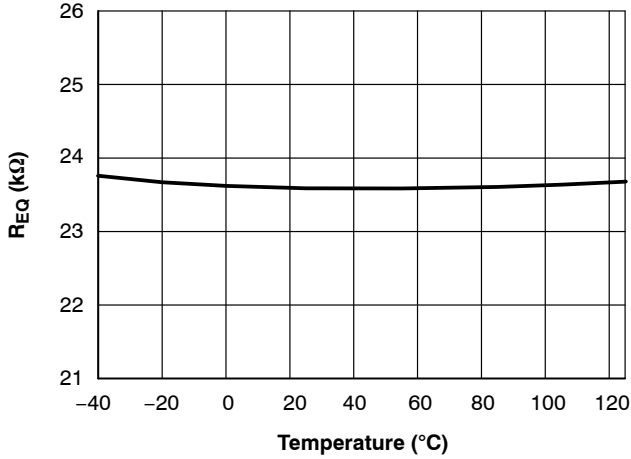


Figure 22.  $R_{EQ}$  vs. Junction Temperature



Figure 23.  $I_{OOP3}$  vs. Junction Temperature

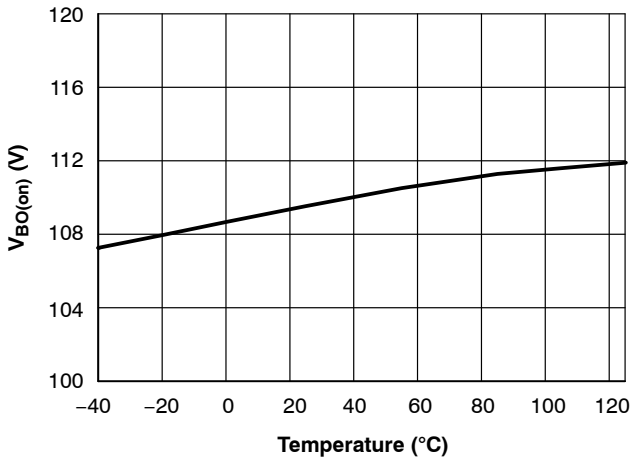


Figure 24.  $V_{BO(on)}$  vs. Junction Temperature



Figure 25.  $V_{BO(off)}$  vs. Junction Temperature

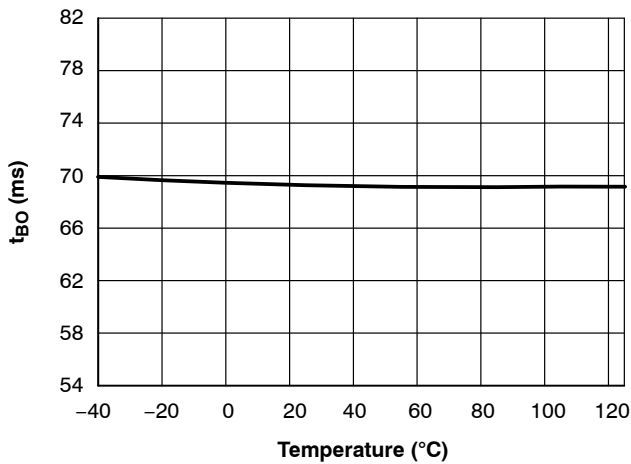


Figure 26.  $t_{BO}$  vs. Junction Temperature



Figure 27.  $V_{FAULT(OVP)}$  vs. Junction Temperature

TYPICAL PERFORMANCE CHARACTERISTICS



Figure 28.  $V_{FAULT(OTP)}$  vs. Junction Temperature

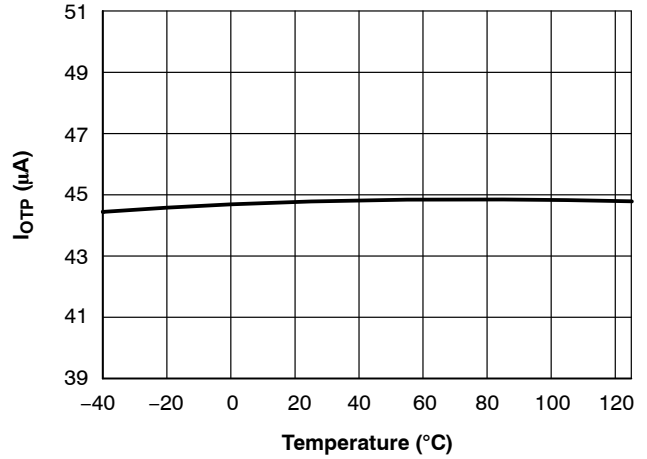


Figure 29.  $I_{OTP}$  vs. Junction Temperature



Figure 30.  $t_{OCP}$  vs. Junction Temperature

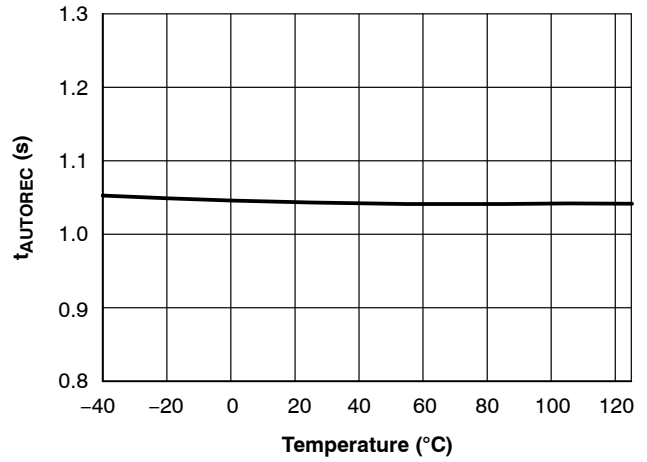


Figure 31.  $t_{AUTOREC}$  vs. Junction Temperature



Figure 32.  $V_{CC(OVP)}$  vs. Junction Temperature

## DEFINITION

**General**

The NCP1239 implements a standard current mode architecture where the switch-off event is dictated by the peak current setpoint. This component represents the ideal candidate where low part-count and cost effectiveness are the key parameters, particularly in low-cost ac-dc adapters, open-frame power supplies etc. The NCP1239 packs all the necessary components normally needed in today modern power supply designs, bringing several enhancements such as a non-dissipative over power protection (OPP), a brown-out protection or HV start-up current source.

**Current-Mode Operation with Internal Ramp Compensation**

Implementing peak current mode control operating at a 65 or 100-kHz switching frequency, the NCP1239 offers a fixed internal compensation ramp that can easily be summed up to the sensed current. The controller can be used in CCM applications with wide input voltage range thanks to its fixed ramp compensation that prevents the appearance of sub-harmonic oscillations

**Internal Brown-Out Protection**

A portion of the bulk voltage is internally sensed via the high-voltage pin monitoring (pin 8). When the voltage on this pin is too low, the part stops pulsing. No re-start attempt is made until the controller senses that the voltage is back within its normal range. When the brown-out comparator senses the voltage is acceptable, de-latch occurs and the controller authorizes a re-start synchronized with  $V_{CC(on)}$ .

**Adjustable Overpower Compensation**

The high input voltage sensed on the HV pin is converted into a current. This current builds an offset superimposed on the current sense voltage which is proportional to the input voltage. By choosing the resistance value in series with the CS pin, the amount of compensation can be adjusted to the application.

**High-Voltage Start-Up**

Low standby power results cannot be obtained with the classical resistive start-up network. In this part, a high-voltage current-source provides the necessary current at start-up and turns off afterwards. An option is available to activate the Dynamic Self-Supply (DSS). The start-up current source is turned on to supply the controller if the  $V_{cc}$  voltage drops below a certain level in light load.

**EMI Jittering**

An internal low-frequency modulation signal varies the pace at which the oscillator frequency is modulated. This helps spreading out energy in conducted noise analysis. To improve the EMI signature at low power levels, the jittering will not be disabled in frequency foldback mode (light load conditions).

**Frequency Foldback Capability**

A continuous flow of pulses is not compatible with no-load/light-load standby power requirements. To excel in this domain, the controller observes the feedback pin and when it reaches a level of 1.9 V, the oscillator starts to reduce its switching frequency as the feedback level continues to decrease. When the feedback level reaches 1.5 V, the frequency hits its lower stop at 26 kHz. When the feedback pin goes further down and reaches 1.0 V, the peak current setpoint is internally frozen. Below this point, if the power continues to drop, the controller enters classical skip-cycle mode at a 31% frozen peak current.

**Internal Soft-Start**

A soft-start precludes the main power switch from being stressed upon start-up. In this controller, the soft-start is internally fixed to 8 ms. Soft-start is activated when a new start-up sequence occurs or during an auto-recovery hiccup.

**Fault Input**

The NCP1239 includes a dedicated fault input accessible via its fault pin (pin 1). It can be used to sense an over-voltage condition on the adapter. The circuit can be latched off by pulling the pin above the upper fault threshold,  $V_{FAULT(OVP)}$ , typically 3.0 V. The controller is also disabled if the fault pin voltage,  $V_{FAULT}$ , is pulled below the lower fault threshold,  $V_{FAULT(OTP)}$ , typically 0.4 V. The lower threshold is normally used for detecting an over-temperature fault (by the means of an NTC).

**OVP Protection on  $V_{CC}$** 

It is sometimes interesting to implement a circuit protection by sensing the  $V_{CC}$  level. This is what this controller does by monitoring its  $V_{CC}$  pin. When the voltage on this pin exceeds  $V_{CC(OVP)}$  threshold, the pulses are immediately stopped and the part enters in an endless hiccup or auto-recovery mode depending on controller options.

**Short-Circuit/Overload Protection**

Short-circuit and especially overload protections are difficult to implement when a strong leakage inductance between auxiliary and power windings affects the transformer (the aux winding level does not properly collapse in presence of an output short). Here, every time the internal 0.8-V maximum peak current limit is activated, an error flag is asserted and a time period starts, thanks to the 64-ms timer. When the fault is validated, all pulses are stopped and the controller enters an auto-recovery burst mode, with a soft-start sequence at the beginning of each cycle. An internal timer keeps the pulses off for 1 s typically which, associated to the 64-ms pulsing re-try period, ensures a duty-cycle in fault mode less than 10%, independent from the line level. As soon as the fault disappears, the SMPS resumes operation. Please note that some version offers an auto-recovery mode as we just described, some do not and latch off in case of a short-circuit.

HV CURRENT SOURCE PIN

The NCP1239 HV circuitry provides three features:

- Start-Up Current Source to Charge the V<sub>CC</sub> Capacitor at Power On
- Brown-Out Protection: when the HV Pin Voltage is below V<sub>BO(off)</sub> for the 68-ms Blanking Time (136 ms for G version), the NCP1239 Stops Operating and Recovers when the HV Pin Voltage Exceeds V<sub>BO(on)</sub>

- Over Power Protection: HV Pin Voltage is Sensed to Determine the Amount of OPP Current Flowing Out the CS Pin

The HV pin can be connected either to the bulk capacitor or to the input line terminals through a diode. It is further recommended to implement one or two resistors (in the range of 2.2 kΩ) to reduce the noise that can be picked-up by the HV pin.

START-UP SEQUENCE

The start-up time of a power supply largely depends on the time necessary to charge the V<sub>CC</sub> capacitor to the controller start-up threshold (V<sub>CC(on)</sub> which is 12 V typically). The NCP1239 high-voltage current-source provides the necessary current for a prompt start-up and turns off afterwards. The delivered current (I<sub>START1</sub>) is reduced to less than 0.5 mA when the V<sub>CC</sub> voltage is below V<sub>CC(inhibit)</sub> (1.2 V typically). This feature reduces the die stress if the V<sub>CC</sub> pin happens to be accidentally grounded. When V<sub>CC</sub> exceeds V<sub>CC(inhibit)</sub>, a 3-mA current (I<sub>START2</sub>) is provided and charges the V<sub>CC</sub> capacitor. Please note that the internal IC consumption is increased from few μA to 310 μA (ICC4) when V<sub>CC</sub> crosses V<sub>CC(min)</sub> in order to have internal logic wake-up when V<sub>CC</sub> reaches V<sub>CC(on)</sub>.

The V<sub>CC</sub> charging time is then the total of the three following durations:

- Charge from 0 V to V<sub>CC(inhibit)</sub>:

$$t_{START1} = \frac{V_{CC(inhibit)} \cdot C_{V_{CC}}}{I_{START1} - ICC5} \quad (eq. 1)$$

- Charge from V<sub>CC(inhibit)</sub> to V<sub>CC(min)</sub>:

$$t_{START2} = \frac{(V_{CC(min)} - V_{CC(inhibit)}) \cdot C_{V_{CC}}}{I_{START2} - ICC5} \quad (eq. 2)$$

- Charge from V<sub>CC(min)</sub> to V<sub>CC(on)</sub>:

$$t_{START3} = \frac{(V_{CC(on)} - V_{CC(min)}) \cdot C_{V_{CC}}}{I_{START2} - ICC4} \quad (eq. 3)$$

Assuming a 22-μF V<sub>CC</sub> capacitor is selected and replacing I<sub>START1</sub>, I<sub>START2</sub>, ICC4, ICC5, V<sub>CC(inhibit)</sub> and V<sub>CC(on)</sub> by their typical values, it comes:

$$t_{START1} = \frac{12 \cdot 22 \mu}{500 \mu - 20 \mu} = 55 \text{ ms} \quad (eq. 4)$$

$$t_{START2} = \frac{(10 - 1.2) \cdot 22 \mu}{3 \text{ m} - 20 \mu} = 65 \text{ ms} \quad (eq. 5)$$

$$t_{START3} = \frac{(12 - 10) \cdot 22 \mu}{3 \text{ m} - 310 \mu} = 16 \text{ ms} \quad (eq. 6)$$

$$t_{START} = t_{START1} + t_{START2} + t_{START3} = 136 \text{ ms} \quad (eq. 7)$$

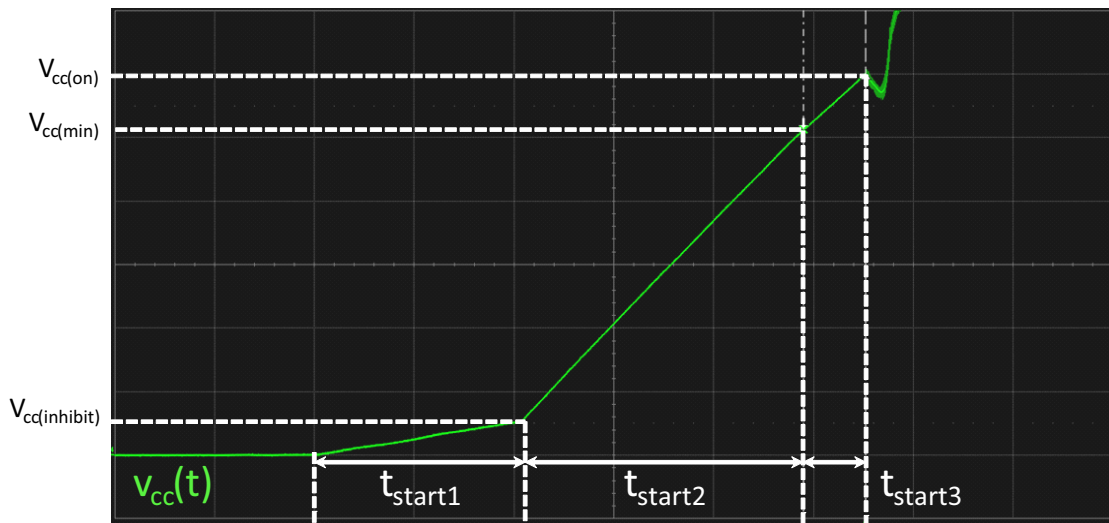


Figure 33. The V<sub>CC</sub> at Start-Up is Made of Two Segments Given the Short-Circuit Protection Implemented on the HV Source



If the  $V_{CC}$  capacitor is first dimensioned to supply the controller for the traditional 5 to 50 ms until the auxiliary winding takes over, no-load standby requirements usually cause it to be larger. The HV start-up current source is then a key feature since it allows keeping short start-up times with large  $V_{CC}$  capacitors (the total start-up sequence duration is often required to be less than 1 s).

When the DSS mode is enable (NCP1239JD65), the  $V_{CC}$  voltage is maintained between  $V_{CC(on)}$  and  $V_{CC(min)}$  by turning the HV start-up current source on and off. This function can be used only during transient load or in light load condition. The HV current source cannot supply the controller in Fixed-frequency operation otherwise the die will overheat. As a result, an auxiliary voltage source is needed to supply  $V_{CC}$  during normal operation.

**BROWN-OUT CIRCUITRY**

For the vast majority of controllers, input line sensing is performed via a resistive network monitoring the bulk voltage or the incoming ac signal. When in the quest of low standby power, the external network adds a consumption burden and deteriorates the power supply standby power performance. Owing to its proprietary high-voltage technology, ON Semiconductor now offers onboard line sensing without using an external network. The system includes a 90-M $\Omega$  resistive network that brings a minimum

start-up threshold and an auto-recovery brown-out protection. Both levels are independent from the input voltage ripple. The brown-out thresholds are fixed (see levels in the electrical characteristics table), but they are designed to fit most of standard ac-dc converter applications. The simplified internal schematic appears in Figure 34 while typical operating waveforms are drawn in Figure 35 and Figure 36.



**Figure 34. A Simplified View of the Brown-Out Circuitry**

When the HV pin voltage drops below the  $V_{BO(off)}$  threshold, the brown-out protection trips: the controller stops generating DRV pulses once the BO timer elapses.  $V_{CC}$  is discharged to  $V_{CC(min)}$  by the controller consumption itself. When this level is reached, the HV current source is activated to lifts  $V_{CC}$  up again. At new

$V_{CC(on)}$ , BO signal is again sensed. If  $V_{HV} > V_{BO(on)}$ , the parts restarts. If the condition is not met, no drive pulse is delivered and internal IC consumption brings  $V_{CC}$  down again. As a result,  $V_{CC}$  operates in hiccup mode during a BO event.

# NCP1239

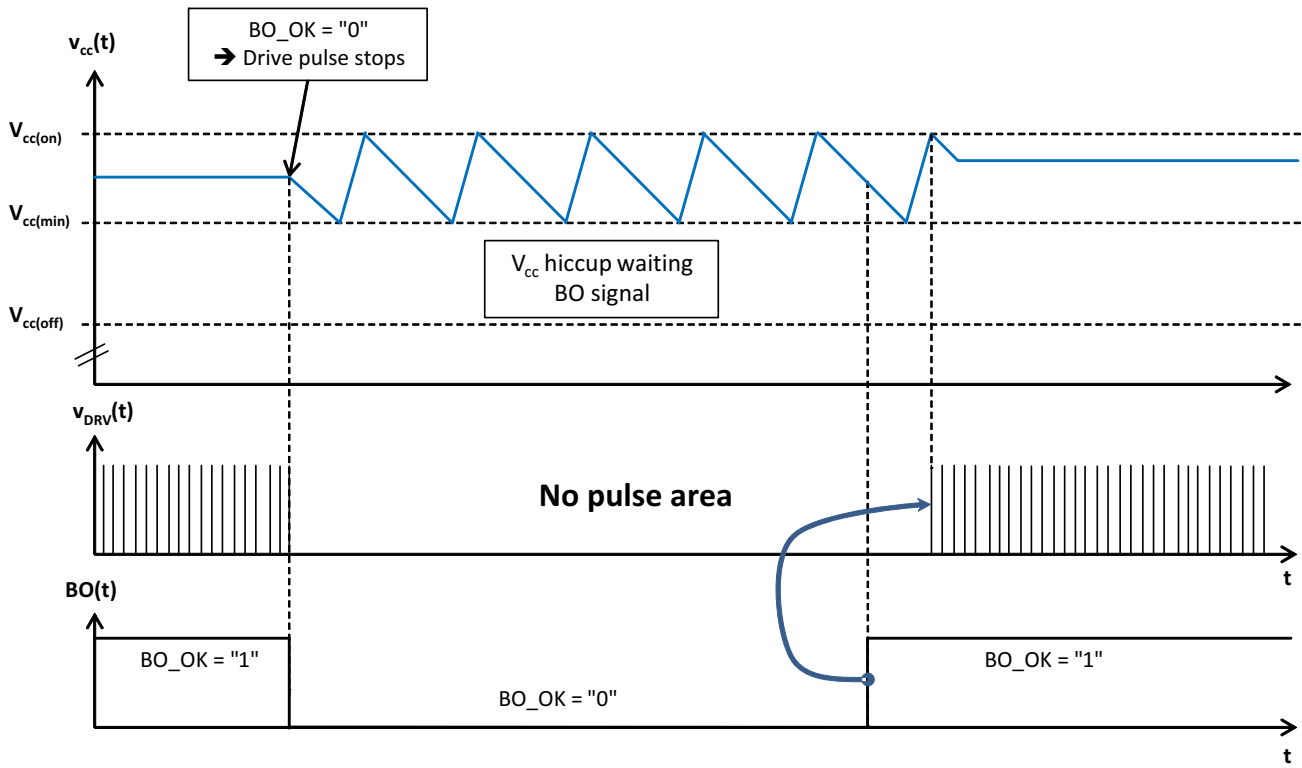


Figure 35. BO Event during Normal Operation

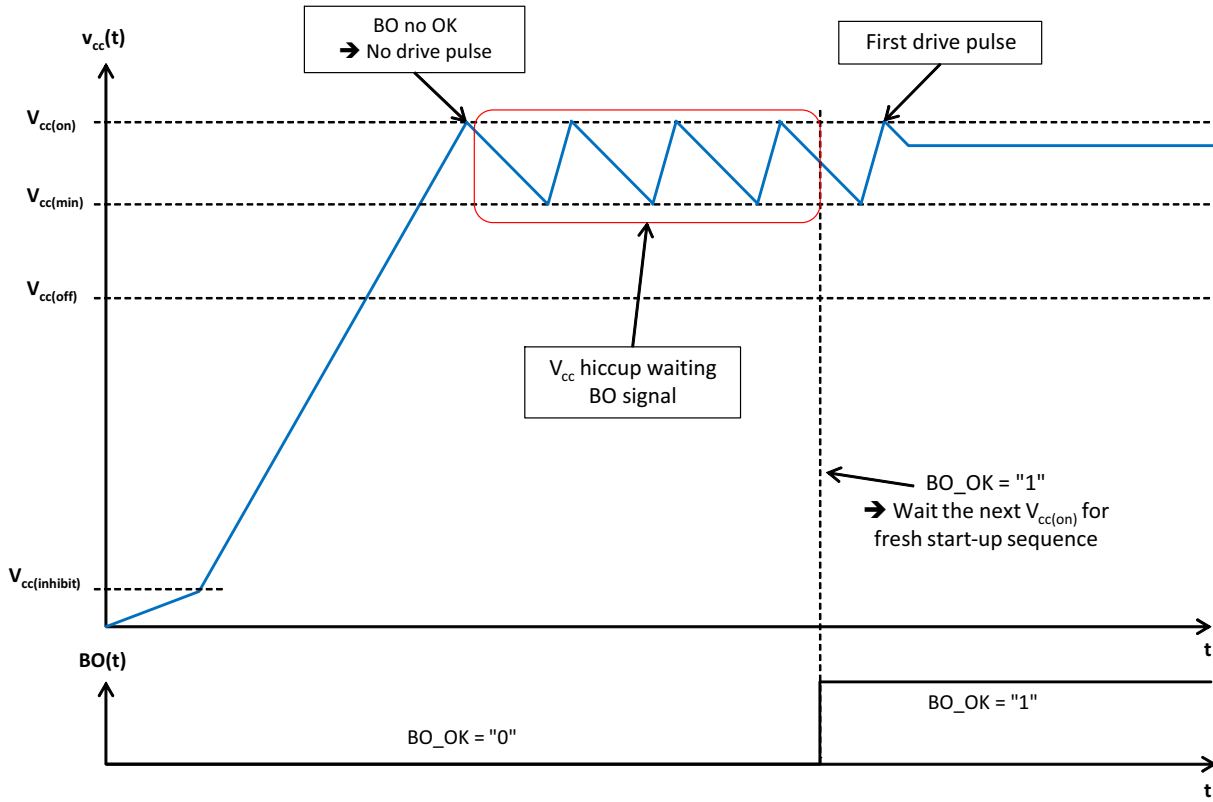


Figure 36. BO Event before Start-Up

OVER POWER PROTECTION

Over Power Protection (OPP) is a known means to limit the output power runaway at high mains. Several elements such as propagation delays and operating mode explain why a converter operated at high line delivers more power than at low line. NCP1239 senses the input voltage via HV pin. This line voltage is transformed into a current information further applied to the current sense pin (CS). A resistor

placed in series from the sense resistor to the CS pin will create an offset voltage proportional to the input voltage variation. An added current sink will ensure a zero OPP current at low line (125 V dc), leaving the converter power capability intact in the lowest operating voltage. Figure 37 presents the internal simplified architecture of this OPP circuitry.

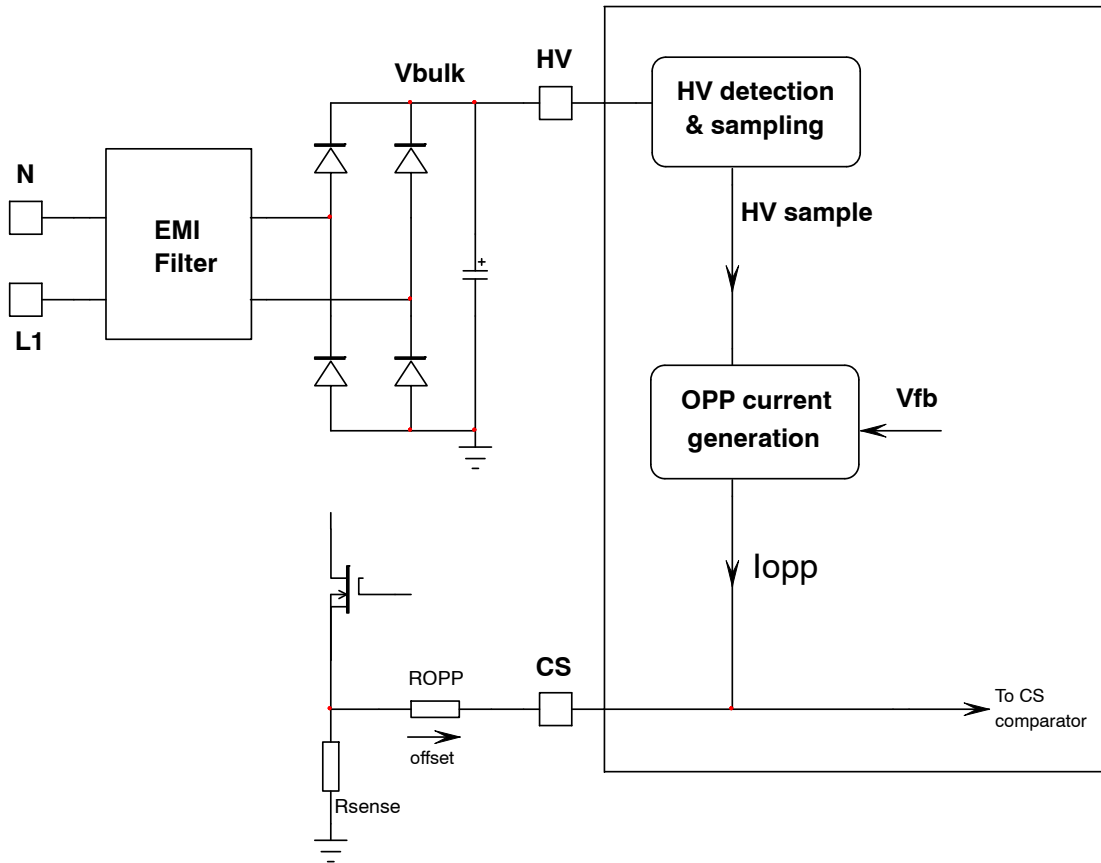


Figure 37. Over Power Protection is Provided via the Bulk Voltage Present on HV Pin

The HV voltage will be transformed into a current equal to 67.5  $\mu$ A when the HV pin is biased to 125 V. However, there is an internal fixed sink of 67.5  $\mu$ A. Therefore, the net current flowing into  $R_{OPP}$  is 0 at this low-voltage input ( $\leq 125$  V dc), ensuring an almost non-compensated converter at low line: at a 115-V rms input (162 V dc), the current from the OTA block will induce a 87.5- $\mu$ A current, turning into a 20- $\mu$ A offset current flowing into  $R_{OPP}$ . Now, assume a 260-V rms input voltage (365 V dc), the controller will generate an offset current of:

$$365 \cdot 0.54 \mu - 67.5 \mu = 130 \mu\text{A} \quad (\text{eq. 8})$$

Assume we need to reduce the maximum peak current setpoint by 250 mV to limit the maximum power at the considered 260-V rms input. In that case, we will need to generate a 250-mV offset across  $R_{OPP}$ . With a 130- $\mu$ A current,  $R_{OPP}$  should be equal to:

$$\frac{250 \text{ m}}{130 \mu} = 192 \text{ k}\Omega \quad (\text{eq. 9})$$

A small 100–220-pF capacitor closely connected between the CS and GND pins will form an effective noise filter and nicely improves the converter immunity. Now, with this 1.92-k $\Omega$  resistance, the low-line 20- $\mu$ A offset current will incur a 38-mV drop, which, in relationship to a 800-mV maximum peak, generates a small 5% reduction. Assuming a full DCM operation, the power would be reduced by 0.95<sup>2</sup> or 9.75% only. Please note that the OPP current is clamped for a HV pin voltage greater than 365 V dc. Should you lift the pin above this voltage, there will be no increase of the OPP current.

The offset voltage can affect the standby power performance by reducing the peak current setpoint in light-load conditions. For this reason, it is desirable to cancel

its action as soon as frequency foldback occurs. A typical curve variation is shown in Figure 38. At low power, below the frequency foldback starting point, 100% of the OPP current is internally absorbed and no offset is created

through the CS pin. When feedback increases again and reaches the frequency foldback point, as the frequency goes up, OPP starts to build up and reaches its full value at  $V_{FOLD} + 0.7 V$ .

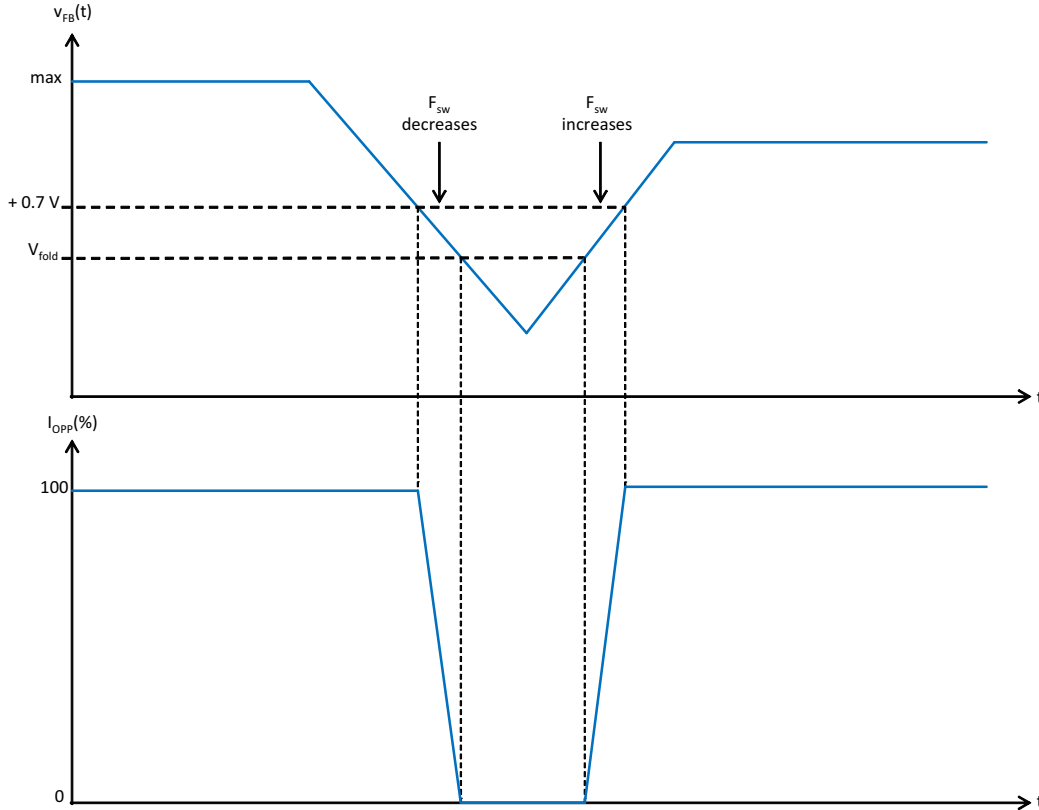


Figure 38. The OPP Current is Applied when the Feedback Voltage Exceeds the Folback Point. It is 0 below it

**FAULT INPUT**

The NCP1239 includes a dedicated fault input accessible via the fault pin. Figure 39 shows the architecture of the fault input. The controller can be latched by pulling up the pin above the upper fault threshold,  $V_{FAULT(OVP)}$ , typically 3.0 V. An active clamp prevents the Fault pin voltage from reaching the  $V_{FAULT(OVP)}$  if the pin is open. To reach the upper threshold, the external pull-up current has to be higher than the pull-down capability of the clamp.

$$\frac{V_{FAULT(OVP)} - V_{FAULT(clamp)}}{R_{FAULT(clamp)}} = \frac{3 V - 1.35 V}{1.35 k\Omega}, \quad (\text{eq. 10})$$

i.e. approximately 1.2 mA

This function is typically used to detect a  $V_{CC}$  or auxiliary winding over-voltage by means of a Zener diode generally in series with a small resistor (see Figure 39).

Neglecting the resistor voltage drop, the OVP threshold is then:

$$V_{AUX(OVP)} = V_Z + V_{FAULT(OVP)} \quad (\text{eq. 11})$$

where  $V_Z$  is the Zener diode Voltage.

The controller can also be latched off if the fault pin voltage,  $V_{FAULT}$ , is pulled below the lower fault threshold,  $V_{FAULT(OTP)}$ , typically 0.4 V. This capability is normally used for detecting an over-temperature fault by means of an NTC thermistor. A pull up current source  $I_{OTP}$  (typically 45  $\mu A$ ) generates a voltage drop across the thermistor. The resistance of the NTC thermistor decreases at higher temperatures resulting in a lower voltage across the thermistor. The controller detects a fault once the thermistor voltage drops below  $V_{FAULT(OTP)}$ .

The circuit detects an over-temperature situation when:

$$R_{NTC} \cdot I_{OTP} = V_{FAULT(OTP)} \quad (\text{eq. 12})$$

Hence, the OTP protection trips when

$$R_{NTC} = \frac{V_{FAULT(OTP)}}{I_{OTP}} = 8.9 k\Omega \text{ (Typically)} \quad (\text{eq. 13})$$

The controller bias current is reduced during power up by disabling most of the circuit blocks including  $I_{FAULT(OTP)}$ . This current source is enabled once  $V_{CC}$  reaches  $V_{CC(min)}$ . A bypass capacitor is usually connected between the Fault and GND pins. It will take some time for  $V_{FAULT}$  to reach

its steady state value once  $I_{OTP}$  is enabled. Therefore, the lower fault comparator (i.e. over-temperature detection) is ignored during soft-start. In addition, in order to speed up this fault pin capacitor, OTP current is doubled during the soft-start period.

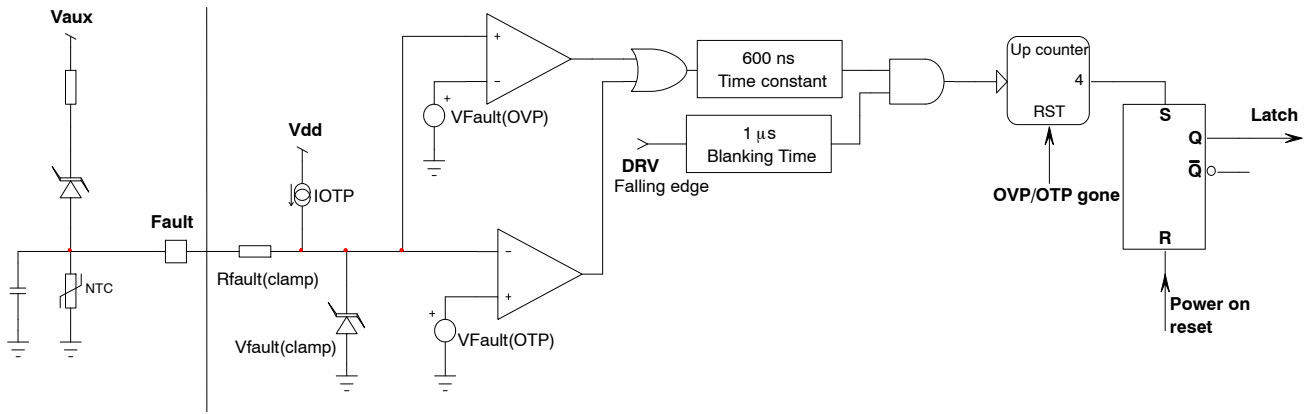


Figure 39. Fault Detection Schematic

As a matter of fact, the controller operates normally while the fault pin voltage is maintained within the upper and lower fault thresholds. Upper and lower fault detectors have blanking delays to prevent noise from triggering them. Both OVP and OTP comparator output are validated only if its high-state duration lasts a minimum of 600 ns. Below this value, the event is ignored. Then, a counter ensures that

OVP/OTP events occurred for 4 successive drive clock pulses before actually latching the part.

When the part is latched-off, the drive is immediately turned off and  $V_{CC}$  goes in endless hiccup mode. The power supply needs to be un-plugged to reset the part ( $V_{CC(reset)}$  or BO event). Please note that this protection on the Fault pin is autorecovery for the E, K, M, P and Q versions.

### AUTO-RECOVERY SHORT-CIRCUIT PROTECTION

In case of output short-circuit or if the power supply experiences a severe overloading situation, an internal error flag is raised and starts a countdown timer. If the flag is asserted longer than the timer's programmed value, the driving pulses are stopped and a 1-s auto-recovery timer starts. If  $V_{CC}$  voltage is below  $V_{CC(min)}$ , HV current source is activated to build up the voltage to  $V_{CC(on)}$ . On the contrary, if  $V_{CC}$  voltage is above  $V_{CC(min)}$ , HV current source is not activated,  $V_{CC}$  falls down as the auxiliary

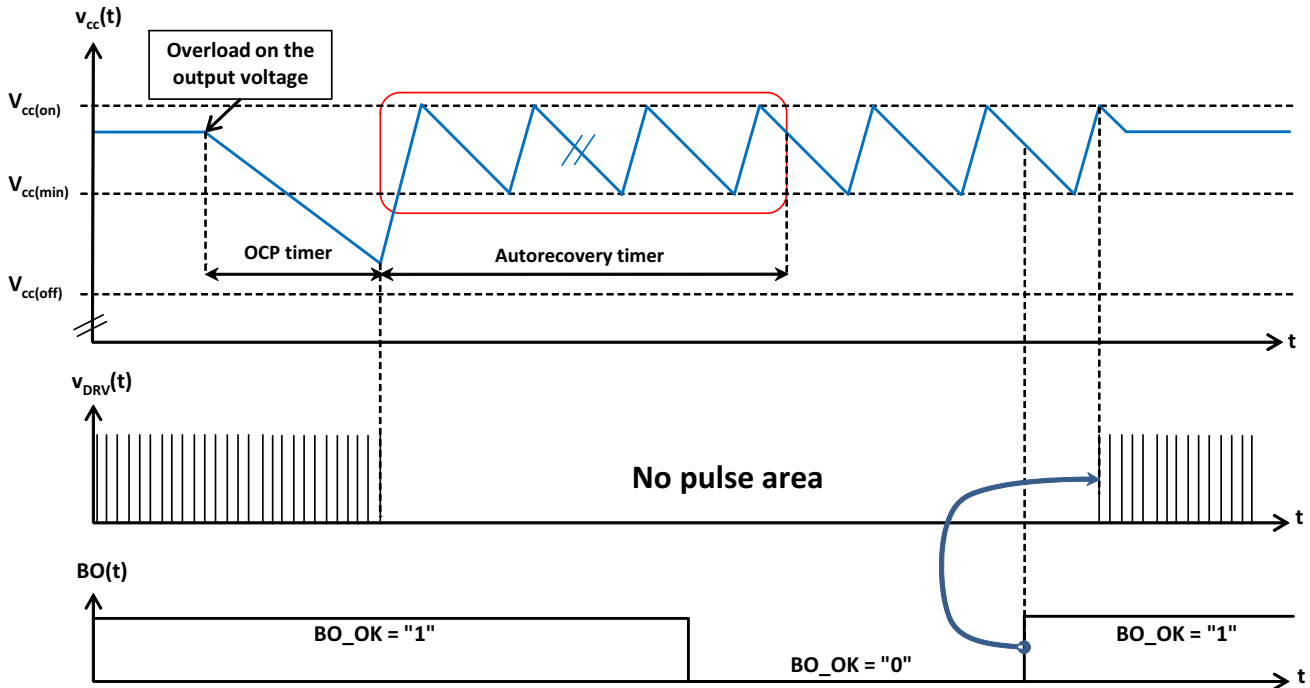
pulses are missing and the controller waits that  $V_{CC(min)}$  is crossed to enable the stat-up current source. During the timer count down, the controller purposely ignores the re-start when  $V_{CC}$  crosses  $V_{CC(on)}$  and waits for another  $V_{CC}$  cycle. By lowering the duty cycle in fault condition, it naturally reduces the average input power and the rms current in the output cable. Illustration of such principle appears in Figure 40. Please note that soft-start is activated upon re-start attempt.



**Figure 40. An Auto-Recovery Hiccup Mode is Entered in Case a Faulty Event Longer than 64 ms is Acknowledged by the Controller**

The hiccup is operating regardless of the brown-out level. However, when the internal comparator toggles indicating that the controller recovers from a brown-out situation (the input line was ok, then too low and back again to normal), the hiccup is interrupted and the controller re-starts to the next available  $V_{CC(on)}$ . Figure 41 displays the resulting

waveform: the controller is protecting the converter against an overload. The mains suddenly went down, and then back again at a normal level. Right at this moment, the hiccup logic receives a reset signal and ignores the next hiccup to immediately initiate a re-start signal.



**Figure 41. BO Event in Auto-Recovery or Latch Mode**

LATCHED SHORT CIRCUIT PROTECTION WITH PRE-SHORT

In some applications, the controller must be fully latched in case of an output short circuit presence. When the error flag is asserted, meaning the controller is asked to deliver its full peak current, upon timer completion, the controller latches off: all pulses are immediately stopped and  $V_{CC}$  hiccups between the two levels,  $V_{CC(on)}$  and  $V_{CC(min)}$ . However, in presence of a small  $V_{CC}$  capacitor, it can very well be the case where the stored energy does not give enough time to let the timer elapse before  $V_{CC}$  touches the  $V_{CC(off)}$ . When this happens, the latch is not acknowledged since the timer countdown has been prematurely aborted. To avoid this problem, NCP1239 combines the error flag assertion together with the UVLO flag: upon start up, as maximum power is asked to increase  $V_{OUT}$ , the error flag is

temporarily raised until regulation is met. If during the time the flag is raised an UVLO event is detected, the part latches off immediately. When latched,  $V_{CC}$  hiccups between the two levels,  $V_{CC(on)}$  and  $V_{CC(min)}$  until a reset occurs (Brown-out event or  $V_{CC}$  cycled down below  $V_{CC(reset)}$ ). In normal operation, if a UVLO event is detected for any reason while the error flag is not asserted, the controller will naturally resume operations. Please also note that this pre-short protection is activated only during start-up sequence. In normal operation, even if an UVLO event occurs while the error flag is asserted, the controller will enter in auto-recovery mode. Details of this behavior are given in Figure 42.

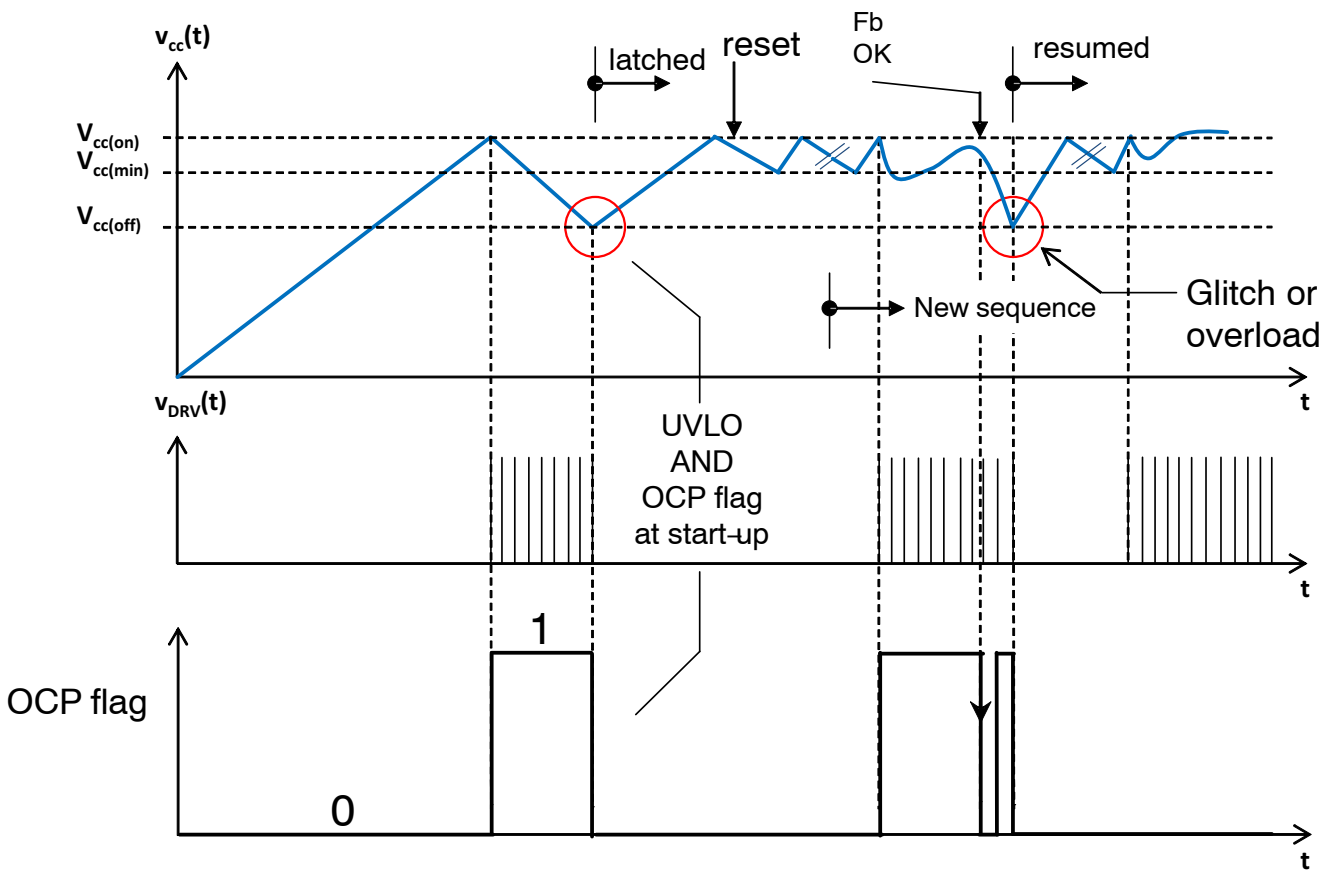


Figure 42. UVLO Event during Start-Up Sequence and in Normal Operation

LATCHING OR AUTO-RECOVERY MODE

The B, C, D, E, K, L, M, N, P, Q and R versions are auto-recovery. When an overload fault is detected, they stop generating drive pulses and  $V_{CC}$  hiccups between  $V_{CC(min)}$  and  $V_{CC(on)}$  during the auto-recovery timer before initiate a fresh start-up sequence with soft-start.

The A, F, G, H, I and J versions latch off when they detect an overload situation. In this condition, the circuit stops generating drive pulses and let  $V_{CC}$  drop down. When  $V_{CC}$

has reached  $10 \cdot V_{CC(min)}$  level, the circuit charged up  $V_{CC}$  to  $V_{CC(on)}$ . The controller enters in an endless hiccup mode. The device cannot recover operation until  $V_{CC}$  drops below  $V_{CC(reset)}$  or brownout recovery signal is applied. Practically, the power supply must be unplugged to be reset ( $V_{CC} < V_{CC(reset)}$ ). Please note that the controller always enters in auto-recovery mode when the UVLO event occurs without internal error flag signal (ie: without overload).

FREQUENCY FOLDBACK

The reduction of no-load standby power associated with the need for improving the efficiency, requires to change the traditional fixed-frequency type of operation. This controller implements a switching frequency foldback when the feedback voltage passes below a certain level,  $V_{FOLD}$ , set at 1.9 V. At this point, the oscillator turns into a Voltage-Controlled Oscillator (VCO) and reduces switching frequency down to a feedback voltage of 1.5 V where switching frequency is 26 kHz typically. Below

1.5 V, the frequency is fixed and cannot go further down. The peak current setpoint is free to follow the feedback voltage from 3.2 V (full power) down to 1 V. At 1 V, as both frequency and peak current are frozen (250 mV or  $\approx 31\%$  of the maximum 0.8-V setpoint) the only way to further reduce the transmitted power is to enter skip cycle. This is what happens when the feedback voltage drops below 0.8 V typically. Figure 43 depicts the adopted scheme for the part.



Figure 43. By Observing the Voltage on the Feedback Pin, the Controller Reduces its Switching Frequency for an Improved Performance at Light Load

SLOPE COMPENSATION

Slope compensation is a known means to fight sub-harmonic oscillations in peak-current mode controlled power converters (flyback in our case). By adding an artificial ramp to the current sense information or subtracting it from the feedback voltage, you implement slope compensation. How much compensation do you need? The simplest way is to consider the primary-side inductor downslope and apply 50% of its value for slope compensation. For instance, assume a 65-kHz/19-V output flyback converter whose transformer turns ratio 1:N is 1:0.25. The primary inductor is 600  $\mu$ H. As such, assuming a 1-V forward drop of the output rectifier, the downslope is evaluated to:

$$S_{OFF} = \frac{V_{OUT} + V_f}{NL_p} = \frac{19 + 1}{0.25 \cdot 600 \mu} = \quad (\text{eq. 14})$$

$$= 133 \text{ kA/s or } 133 \text{ mA}/\mu\text{s}$$

If we have a 0.33- $\Omega$  sense resistor, then the current downslope turns into a voltage downslope whose value is simply:

$$S'_{OFF} = S_{OFF} \cdot R_{SENSE} = \quad (\text{eq. 15})$$

$$= 133 \text{ m} \cdot 0.33 \approx 44 \text{ mV}/\mu\text{s}$$

50% of this value is 22 mV/ $\mu$ s. The internal slope compensation level is typically 29 mV/ $\mu$ s (for the 65-kHz version) so it will nicely compensate this design example. What if my converter is under compensated? You can still add compensation ramp via a simple RC arrangement showed in Figure 44. Please look at AND8029 available from [www.onsemi.com](http://www.onsemi.com) regarding calculation details of this configuration.



## NCP1239



**Figure 44. An Easy Means to Add Slope Compensation is by Using an Extra RC Network Building a Ramp from the Drive Signal**

### A 2<sup>ND</sup> OVER-CURRENT COMPARATOR FOR ABNORMAL OVER-CURRENT FAULT DETECTION

A severe fault like a winding short-circuit can cause the switch current to increase very rapidly during the on-time. The current sense signal significantly exceeds  $V_{ILIM1}$ . But, because the current sense signal is blanked by the LEB circuit during the switch turn on, the power switch current can become huge causing system damage.

The NCP1239 protects against this fault by adding an additional comparator for abnormal over-current fault detection. The current sense signal is blanked with a shorter LEB duration,  $t_{LEB2}$ , typically 120 ns, before applying it to the abnormal over-current fault comparator. The voltage

threshold of the comparator,  $V_{ILIM2}$ , typically 1.2 V, is set 50 % higher than  $V_{LIMIT1}$ , to avoid interference with normal operation. Four consecutive abnormal over-current faults cause the controller to enter latch mode. The count to 4 provides noise immunity during surge testing. The counter is reset each time a DRV pulse occurs without activating the Fault Over-Current Comparator.

Please note that abnormal over-current fault is following the timer-based short-circuit protection behavior (auto-recovery or latching off).

### OVER-VOLTAGE PROTECTION ON $V_{CC}$ PIN

The NCP1239 hosts a dedicated comparator on the  $V_{CC}$  pin. When the voltage on this pin exceeds 25.5 V typically (32.0 V for F, J, M and N versions) for more than 20  $\mu$ s, a signal is sent to the internal latch and the controller immediately stops the driving pulses while remaining in a lockout state. Depending controller options, this OVP on

$V_{CC}$  pin can be auto-recovery or latched. For latching-off versions, the part can be reset by cycling down its  $V_{CC}$ , for instance by pulling off the power plug but also if a brown-out recovery is sensed by the controller. This technique offers a simple and cheap means to protect the converter against optocoupler.

### PROTECTING FROM A FAILURE OF THE CURRENT SENSING

A 1- $\mu$ A (typically) pull-up current source,  $I_{CS}$ , pulls up the CS pin to disable the controller if the pin is left open.

In addition the maximum duty ratio limit (80% typically) avoids that the MOSFET stays permanently on if the switch current cannot reach the setpoint when for instance, the input

voltage is low or if the CS pin is grounded. In this case, the OCP timer is activated. If the timer elapses, the controller enters in auto-recovery or endless hiccup mode depending on the controller option. This unexpected operation can lead to deep CCM with destructive consequences.

# NCP1239

## SOFT-START

Soft-start is achieved by ramping up an internal reference,  $V_{SSTART}$ , and comparing it to current sense signal.  $V_{SSTART}$  ramps up from 0 V once the controller powers up. The setpoint rise is then limited by the  $V_{SSTART}$  ramp so that a

gradual increase of the power switch current during start-up. The soft-start duration (that is, the time necessary for the ramp to reach the  $V_{ILIM1}$  steady state current limit),  $t_{SSTART}$  is typically 8 ms.

## DRIVER

The NCP1239 maximum supply voltage,  $V_{CC(max)}$ , is 25.5 V (32.0 V for F and J versions). Typical high-voltage MOSFETs have a maximum gate-source voltage rating of 20 V. The DRV pin incorporates an active voltage clamp to

limit the gate voltage on the external MOSFETs. The DRV voltage clamp,  $V_{DRV(high)}$  is typically 13.5 V with a maximum limit of 16 V.

## THERMAL SHUTDOWN

An internal thermal shutdown circuit monitors the junction temperature of the IC. The controller is disabled if the junction temperature exceeds the thermal shutdown threshold,  $T_{SHDN}$ , typically 150°C. A continuous  $V_{CC}$  hiccup is initiated after a thermal shutdown fault is detected. The controller restarts at the next  $V_{CC(on)}$  once the IC

temperature drops below  $T_{SHDN}$  by the thermal shutdown hysteresis,  $T_{SHDN(HYS)}$ , typically 20°C.

The thermal shutdown is also cleared if  $V_{CC}$  drops below  $V_{CC(reset)}$  or a brown-out fault is detected. A new power up sequences commences at the next  $V_{CC(on)}$  once all the faults are removed.

**Table 5. ORDERING INFORMATION**

| Device          | Marking  | Freq.   | OCP Protection | $V_{CC}$ OVP Protection | Fault Pin Protection | BO Levels | Package             | Shipping†                |
|-----------------|----------|---------|----------------|-------------------------|----------------------|-----------|---------------------|--------------------------|
| NCP1239AD65R2G  | 1239A065 | 65 kHz  | Latch          | Latch                   | Latch                | 110/101   | SOIC-7<br>(Pb-Free) | 2500 /<br>Tape &<br>Reel |
| NCP1239BD65R2G  | 1239B065 | 65 kHz  | Auto-Recovery  | Latch                   | Latch                | 110/101   |                     |                          |
| NCP1239CD65R2G  | 1239C065 | 65 kHz  | Auto-Recovery  | Auto-Recovery           | Latch                | 110/101   |                     |                          |
| NCP1239DD65R2G  | 1239D065 | 65 kHz  | Auto-Recovery  | Latch                   | Latch                | 101/95    |                     |                          |
| NCP1239ED65R2G  | 1239E065 | 65 kHz  | Auto-Recovery  | Auto-Recovery           | Auto-Recovery        | 110/101   |                     |                          |
| NCP1239FD65R2G  | 1239F065 | 65 kHz  | Latch          | Latch                   | Latch                | 229/176   |                     |                          |
| NCP1239HD65R2G  | 1239H065 | 65 kHz  | Latch          | Latch                   | Latch                | 229/224   |                     |                          |
| NCP1239ID65R2G  | 1239I065 | 65 kHz  | Latch          | Latch                   | Latch                | 101/95    |                     |                          |
| NCP1239JD65R2G  | 1239J065 | 65 kHz  | Latch          | Latch                   | Latch                | 101/95    |                     |                          |
| NCP1239KD65R2G  | 1239K065 | 65 kHz  | Auto-Recovery  | Auto-Recovery           | Auto-Recovery        | 110/101   |                     |                          |
| NCP1239LD65R2G  | 1239L065 | 65 kHz  | Auto-Recovery  | Latch                   | Latch                | 82/77     |                     |                          |
| NCP1239MD65R2G  | 1239M065 | 65 kHz  | Auto-Recovery  | Auto-Recovery           | Auto-Recovery        | 229/224   |                     |                          |
| NCP1239ND65R2G  | 1239N065 | 65 kHz  | Auto-Recovery  | Auto-Recovery           | Latch                | 229/224   |                     |                          |
| NCP1239PD65R2G  | 1239P065 | 65 kHz  | Auto-Recovery  | Auto-Recovery           | Auto-Recovery        | 82/79     |                     |                          |
| NCP1239QD65R2G  | 1239Q065 | 65 kHz  | Auto-Recovery  | Auto-Recovery           | Auto-Recovery        | 82/79     |                     |                          |
| NCP1239RD65R2G  | 1239R065 | 65 kHz  | Auto-Recovery  | Latch                   | Latch                | 101/95    |                     |                          |
| NCP1239AD100R2G | 1239A100 | 100 kHz | Latch          | Latch                   | Latch                | 110/101   |                     |                          |
| NCP1239BD100R2G | 1239B100 | 100 kHz | Auto-Recovery  | Latch                   | Latch                | 110/101   |                     |                          |
| NCP1239DD100R2G | 1239D100 | 100 kHz | Auto-Recovery  | Latch                   | Latch                | 110/95    |                     |                          |
| NCP1239ED100R2G | 1239E100 | 100 kHz | Auto-Recovery  | Auto-Recovery           | Auto-Recovery        | 110/101   |                     |                          |
| NCP1239GD100R2G | 1239G100 | 100 kHz | Latch          | Latch                   | Latch                | 95/86     |                     |                          |
| NCP1239LD100R2G | 1239L100 | 100 kHz | Auto-Recovery  | Latch                   | Latch                | 82/77     |                     |                          |

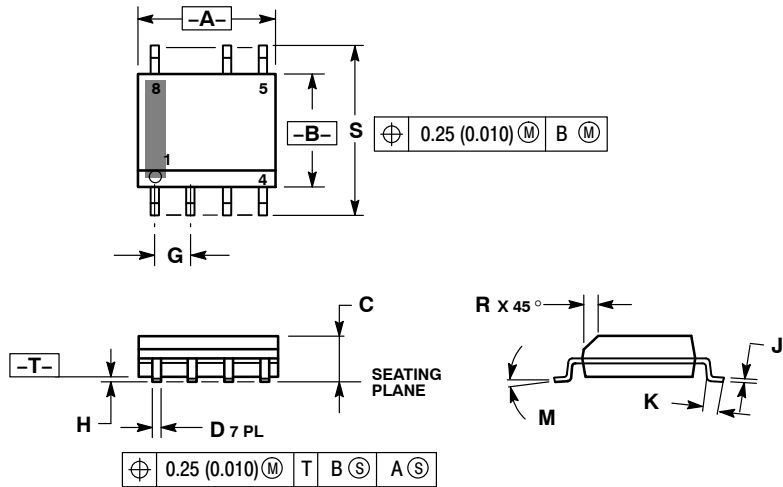
†For information on tape and reel specifications, including part orientation and tape sizes, please refer to our Tape and Reel Packaging Specification Brochure, BRD8011/D.



SCALE 1:1

SOIC-7  
CASE 751U  
ISSUE E

DATE 20 OCT 2009

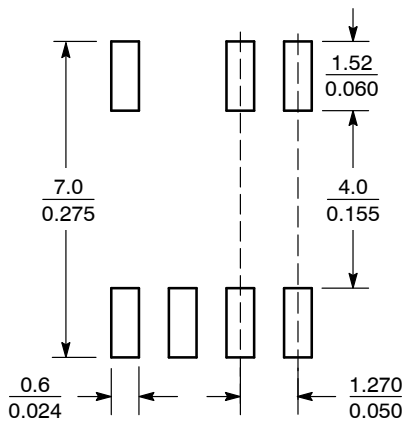


NOTES:

1. DIMENSIONING AND TOLERANCING PER ANSI Y14.5M, 1982.
2. CONTROLLING DIMENSION: MILLIMETER.
3. DIMENSION A AND B ARE DATUMS AND T IS A DATUM SURFACE.
4. DIMENSION A AND B DO NOT INCLUDE MOLD PROTRUSION.
5. MAXIMUM MOLD PROTRUSION 0.15 (0.006) PER SIDE.

| DIM | MILLIMETERS |      | INCHES    |       |
|-----|-------------|------|-----------|-------|
|     | MIN         | MAX  | MIN       | MAX   |
| A   | 4.80        | 5.00 | 0.189     | 0.197 |
| B   | 3.80        | 4.00 | 0.150     | 0.157 |
| C   | 1.35        | 1.75 | 0.053     | 0.069 |
| D   | 0.33        | 0.51 | 0.013     | 0.020 |
| G   | 1.27 BSC    |      | 0.050 BSC |       |
| H   | 0.10        | 0.25 | 0.004     | 0.010 |
| J   | 0.19        | 0.25 | 0.007     | 0.010 |
| K   | 0.40        | 1.27 | 0.016     | 0.050 |
| M   | 0° to 8°    |      | 0° to 8°  |       |
| N   | 0.25        | 0.50 | 0.010     | 0.020 |
| S   | 5.80        | 6.20 | 0.228     | 0.244 |

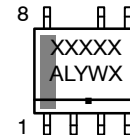
SOLDERING FOOTPRINT\*



SCALE 6:1 (mm/inches)

\*For additional information on our Pb-Free strategy and soldering details, please download the onsemi Soldering and Mounting Techniques Reference Manual, [SOLDERRM/D](#).

GENERIC MARKING DIAGRAM



- XXX = Specific Device Code
- A = Assembly Location
- L = Wafer Lot
- Y = Year
- W = Work Week
- = Pb-Free Package

\*This information is generic. Please refer to device data sheet for actual part marking. Pb-Free indicator, "G" or microdot "▪", may or may not be present. Some products may not follow the Generic Marking.

STYLES ON PAGE 2

|                  |             |  |
|------------------|-------------|--|
| DOCUMENT NUMBER: | 98AON12199D | Electronic versions are uncontrolled except when accessed directly from the Document Repository. Printed versions are uncontrolled except when stamped "CONTROLLED COPY" in red. |
| DESCRIPTION:     | SOIC-7      | PAGE 1 OF 2  |

onsemi and ONSEMI are trademarks of Semiconductor Components Industries, LLC dba onsemi or its subsidiaries in the United States and/or other countries. onsemi reserves the right to make changes without further notice to any products herein. onsemi makes no warranty, representation or guarantee regarding the suitability of its products for any particular purpose, nor does onsemi assume any liability arising out of the application or use of any product or circuit, and specifically disclaims any and all liability, including without limitation special, consequential or incidental damages. onsemi does not convey any license under its patent rights nor the rights of others.

**SOIC-7**  
**CASE 751U**  
**ISSUE E**

DATE 20 OCT 2009

- |  |  |   |
|--|--|---|
| <p>STYLE 1:<br/>         PIN 1. EMITTER<br/>         2. COLLECTOR<br/>         3. COLLECTOR<br/>         4. EMITTER<br/>         5. EMITTER<br/>         6.<br/>         7. NOT USED<br/>         8. EMITTER</p>                         | <p>STYLE 2:<br/>         PIN 1. COLLECTOR, DIE, #1<br/>         2. COLLECTOR, #1<br/>         3. COLLECTOR, #2<br/>         4. COLLECTOR, #2<br/>         5. BASE, #2<br/>         6. EMITTER, #2<br/>         7. NOT USED<br/>         8. EMITTER, #1</p>                     | <p>STYLE 3:<br/>         PIN 1. DRAIN, DIE #1<br/>         2. DRAIN, #1<br/>         3. DRAIN, #2<br/>         4. DRAIN, #2<br/>         5. GATE, #2<br/>         6. SOURCE, #2<br/>         7. NOT USED<br/>         8. SOURCE, #1</p>   |
| <p>STYLE 4:<br/>         PIN 1. ANODE<br/>         2. ANODE<br/>         3. ANODE<br/>         4. ANODE<br/>         5. ANODE<br/>         6. ANODE<br/>         7. NOT USED<br/>         8. COMMON CATHODE</p>                          | <p>STYLE 5:<br/>         PIN 1. DRAIN<br/>         2. DRAIN<br/>         3. DRAIN<br/>         4. DRAIN<br/>         5.<br/>         6.<br/>         7. NOT USED<br/>         8. SOURCE</p>  | <p>STYLE 6:<br/>         PIN 1. SOURCE<br/>         2. DRAIN<br/>         3. DRAIN<br/>         4. SOURCE<br/>         5. SOURCE<br/>         6.<br/>         7. NOT USED<br/>         8. SOURCE</p>  |
| <p>STYLE 7:<br/>         PIN 1. INPUT<br/>         2. EXTERNAL BYPASS<br/>         3. THIRD STAGE SOURCE<br/>         4. GROUND<br/>         5. DRAIN<br/>         6. GATE 3<br/>         7. NOT USED<br/>         8. FIRST STAGE Vd</p> | <p>STYLE 8:<br/>         PIN 1. COLLECTOR (DIE 1)<br/>         2. BASE (DIE 1)<br/>         3. BASE (DIE 2)<br/>         4. COLLECTOR (DIE 2)<br/>         5. COLLECTOR (DIE 2)<br/>         6. EMITTER (DIE 2)<br/>         7. NOT USED<br/>         8. COLLECTOR (DIE 1)</p> | <p>STYLE 9:<br/>         PIN 1. EMITTER (COMMON)<br/>         2. COLLECTOR (DIE 1)<br/>         3. COLLECTOR (DIE 2)<br/>         4. EMITTER (COMMON)<br/>         5. EMITTER (COMMON)<br/>         6. BASE (DIE 2)<br/>         7. NOT USED<br/>         8. EMITTER (COMMON)</p> |
| <p>STYLE 10:<br/>         PIN 1. GROUND<br/>         2. BIAS 1<br/>         3. OUTPUT<br/>         4. GROUND<br/>         5. GROUND<br/>         6. BIAS 2<br/>         7. NOT USED<br/>         8. GROUND</p>                           | <p>STYLE 11:<br/>         PIN 1. SOURCE (DIE 1)<br/>         2. GATE (DIE 1)<br/>         3. SOURCE (DIE 2)<br/>         4. GATE (DIE 2)<br/>         5. DRAIN (DIE 2)<br/>         6. DRAIN (DIE 2)<br/>         7. NOT USED<br/>         8. DRAIN (DIE 1)</p>                |   |

|                         |                    |   |
|-------------------------|--------------------|---|
| <b>DOCUMENT NUMBER:</b> | <b>98AON12199D</b> | Electronic versions are uncontrolled except when accessed directly from the Document Repository.<br>Printed versions are uncontrolled except when stamped "CONTROLLED COPY" in red. |
| <b>DESCRIPTION:</b>     | <b>SOIC-7</b>      | <b>PAGE 2 OF 2</b>  |

**onsemi** and **ONSEMI** are trademarks of Semiconductor Components Industries, LLC dba **onsemi** or its subsidiaries in the United States and/or other countries. **onsemi** reserves the right to make changes without further notice to any products herein. **onsemi** makes no warranty, representation or guarantee regarding the suitability of its products for any particular purpose, nor does **onsemi** assume any liability arising out of the application or use of any product or circuit, and specifically disclaims any and all liability, including without limitation special, consequential or incidental damages. **onsemi** does not convey any license under its patent rights nor the rights of others.

**onsemi**, **Onsemi**, and other names, marks, and brands are registered and/or common law trademarks of Semiconductor Components Industries, LLC dba "**onsemi**" or its affiliates and/or subsidiaries in the United States and/or other countries. **onsemi** owns the rights to a number of patents, trademarks, copyrights, trade secrets, and other intellectual property. A listing of **onsemi**'s product/patent coverage may be accessed at [www.onsemi.com/site/pdf/Patent-Marking.pdf](http://www.onsemi.com/site/pdf/Patent-Marking.pdf). **onsemi** reserves the right to make changes at any time to any products or information herein, without notice. The information herein is provided "as-is" and **onsemi** makes no warranty, representation or guarantee regarding the accuracy of the information, product features, availability, functionality, or suitability of its products for any particular purpose, nor does **onsemi** assume any liability arising out of the application or use of any product or circuit, and specifically disclaims any and all liability, including without limitation special, consequential or incidental damages. Buyer is responsible for its products and applications using **onsemi** products, including compliance with all laws, regulations and safety requirements or standards, regardless of any support or applications information provided by **onsemi**. "Typical" parameters which may be provided in **onsemi** data sheets and/or specifications can and do vary in different applications and actual performance may vary over time. All operating parameters, including "Typicals" must be validated for each customer application by customer's technical experts. **onsemi** does not convey any license under any of its intellectual property rights nor the rights of others. **onsemi** products are not designed, intended, or authorized for use as a critical component in life support systems or any FDA Class 3 medical devices or medical devices with a same or similar classification in a foreign jurisdiction or any devices intended for implantation in the human body. Should Buyer purchase or use **onsemi** products for any such unintended or unauthorized application, Buyer shall indemnify and hold **onsemi** and its officers, employees, subsidiaries, affiliates, and distributors harmless against all claims, costs, damages, and expenses, and reasonable attorney fees arising out of, directly or indirectly, any claim of personal injury or death associated with such unintended or unauthorized use, even if such claim alleges that **onsemi** was negligent regarding the design or manufacture of the part. **onsemi** is an Equal Opportunity/Affirmative Action Employer. This literature is subject to all applicable copyright laws and is not for resale in any manner.

## ADDITIONAL INFORMATION

### TECHNICAL PUBLICATIONS:

Technical Library: [www.onsemi.com/design/resources/technical-documentation](http://www.onsemi.com/design/resources/technical-documentation)  
onsemi Website: [www.onsemi.com](http://www.onsemi.com)

### ONLINE SUPPORT: [www.onsemi.com/support](http://www.onsemi.com/support)

For additional information, please contact your local Sales Representative at [www.onsemi.com/support/sales](http://www.onsemi.com/support/sales)