

TXS0104E 4-Bit Bidirectional Voltage-Level Translator for Open-Drain and Push-Pull Applications

1 Features

- No direction-control signal needed
- Maximum data rates:
 - 24Mbps (push pull)
 - 2Mbps (open drain)
- Available in the Texas Instruments NanoFree™ package
- 1.65 V to 3.6 V on A port and 2.3 V to 5.5 V on B port ($V_{CCA} \leq V_{CCB}$)
- No power-supply sequencing required – V_{CCA} or V_{CCB} can be ramped first
- Latch-up performance exceeds 100 mA per JESD 78, class II
- ESD protection exceeds JESD 22:
 - A port:
 - 2000-V Human-Body Model (A114-B)
 - 200-V Machine Model (A115-A)
 - 1000-V Charged-Device Model (C101)
 - B port:
 - 15-kV Human-Body Model (A114-B)
 - 200-V Machine Model (A115-A)
 - 1000-V Charged-Device Model (C101)
- IEC 61000-4-2 ESD (B port):
 - ± 8 -kV contact discharge
 - ± 10 -kV air-gap discharge

2 Applications

- [Handset](#)
- [Smartphone](#)
- [Tablet](#)
- [Desktop PC](#)

3 Description

This 4-bit non-inverting translator uses two separate configurable power-supply rails. The A port is designed to track V_{CCA} . V_{CCA} accepts any supply voltage from 1.65 V to 3.6 V. V_{CCA} must be less than or equal to V_{CCB} . The B port is designed to track V_{CCB} . V_{CCB} accepts any supply voltage from 2.3 V to 5.5 V. This allows for low-voltage bidirectional translation between any of the 1.8-V, 2.5-V, 3.3-V, and 5-V voltage nodes.

When the output-enable (OE) input is low, all outputs are placed in the high-impedance state.

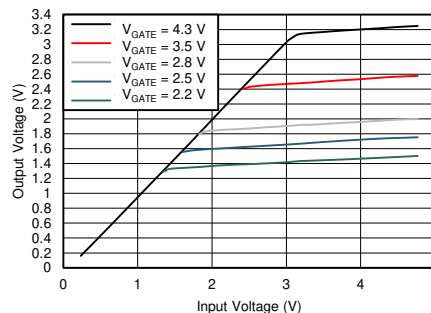
The TXS0104E is designed so that the OE input circuit is supplied by V_{CCA} .

For the high-impedance state during power up or power down, tie OE to GND through a pull-down resistor; the minimum value of the resistor is determined by the current-sourcing capability of the driver.

Package Information

PART NUMBER	PACKAGE ⁽¹⁾	PACKAGE SIZE ⁽²⁾
TXS0104E	D (SOIC, 14)	8.65 mm × 6 mm
	PW (TSSOP, 14)	5 mm × 6.4 mm
	ZXU (BGA, 12)	2 mm × 2.5 mm
	RGY (VQFN, 14)	3.5 mm × 3.5 mm
	YZT (DSBGA, 12)	2.25 mm × 1.75 mm
	NMN (nFBGA, 12)	2 mm × 2.5 mm
	BQA (WQFN, 12)	3 mm × 2.5 mm
	RUT (UQFN, 12)	2.00 mm × 1.70 mm

- (1) For all available packages, see the orderable addendum at the end of the data sheet.
- (2) The package size (length × width) is a nominal value and includes pins, where applicable



Transfer Characteristics of an N-Channel Transistor



Table of Contents

1 Features	1	7.2 Voltage Waveforms.....	18
2 Applications	1	8 Detailed Description	19
3 Description	1	8.1 Overview.....	19
4 Revision History	2	8.2 Functional Block Diagram.....	19
5 Pin Configuration and Functions	4	8.3 Feature Description.....	20
6 Specifications	8	8.4 Device Functional Modes.....	20
6.1 Absolute Maximum Ratings.....	8	9 Application and Implementation	21
6.2 ESD Ratings.....	8	9.1 Application Information.....	21
6.3 Recommended Operating Conditions.....	9	9.2 Typical Application.....	21
6.4 Thermal Information: ZXU, YZT, and NMN.....	9	9.3 Power Supply Recommendations.....	23
6.5 Thermal Information: D, PW, and RGY.....	10	9.4 Layout.....	23
6.6 Electrical Characteristics.....	10	10 Device and Documentation Support	24
6.7 Timing Requirements: $V_{CCA} = 1.8\text{ V} \pm 0.15\text{ V}$	11	10.1 Documentation Support.....	24
6.8 Timing Requirements: $V_{CCA} = 2.5\text{ V} \pm 0.2\text{ V}$	11	10.2 Receiving Notification of Documentation Updates..	24
6.9 Timing Requirements: $V_{CCA} = 3.3\text{ V} \pm 0.3\text{ V}$	11	10.3 Support Resources.....	24
6.10 Switching Characteristics: $V_{CCA} = 1.8\text{ V} \pm 0.15\text{ V}$...	12	10.4 Trademarks.....	24
6.11 Switching Characteristics: $V_{CCA} = 2.5\text{ V} \pm 0.2\text{ V}$	13	10.5 Electrostatic Discharge Caution.....	24
6.12 Switching Characteristics: $V_{CCA} = 3.3\text{ V} \pm 0.3\text{ V}$	15	10.6 Glossary.....	24
6.13 Typical Characteristics.....	16	11 Mechanical, Packaging, and Orderable Information	24
7 Parameter Measurement Information	17		
7.1 Load Circuits.....	17		

4 Revision History

NOTE: Page numbers for previous revisions may differ from page numbers in the current version.

Changes from Revision J (August 2023) to Revision K (October 2023)	Page
• Added the <i>RUT</i> package.....	1
Changes from Revision I (October 2020) to Revision J (August 2023)	Page
• Updated the <i>Package Information</i> table to include package lead size.....	1
• Added the <i>BQA</i> package.....	1
Changes from Revision H (May 2018) to Revision I (October 2020)	Page
• Updated the numbering format for tables, figures, and cross-references throughout the document	1
• Added NMN Package, 12-Pin nFBGA.....	4
Changes from Revision G (September 2017) to Revision H (May 2018)	Page
• Changed maximum values for maximum data rate within <i>Switching Characteristics: $V_{CCA} = 3.3\text{ V} \pm 0.3\text{ V}$</i> table	15
Changes from Revision F (December 2014) to Revision G (September 2017)	Page
• Changed Device Information table.....	1
• Deleted GXU references throughout.....	4
• Added Junction temperature in the <i>Absolute Maximum Ratings</i>	8
• Reformatted <i>Electrical Characteristics</i>	10
• Added <i>Receiving Notification of Documentation Updates and Community Resources</i>	24
• Added <i>Basics of Voltage Translation</i> to Related Documentation.....	24
Changes from Revision E (August 2013) to Revision F (December 2014)	Page
• Added <i>Pin Configuration and Functions</i> section, <i>Handling Rating</i> table, <i>Feature Description</i> section, <i>Device Functional Modes</i> , <i>Application and Implementation</i> section, <i>Power Supply Recommendations</i> section, <i>Layout</i>	

section, <i>Device and Documentation Support</i> section, and <i>Mechanical, Packaging, and Orderable Information</i> section	1
• Deleted the Package thermal impedance information from the Absolute max ratings table into the Thermal Information table. Moved the T_{stg} row into the new Handling Ratings table.	8
• Changed the last 2 rows of MIN MAX (24 MAX and 2 MAX) to the MIN columns, in the first switching characteristics table	12

Changes from Revision D (May 2008) to Revision E (August 2013)	Page
---	-------------

• Deleted the ordering table	1
------------------------------------	---

5 Pin Configuration and Functions

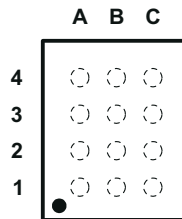


Figure 5-1. ZXU Package, 12-Pin MICROSTAR JUNIOR (Top View)

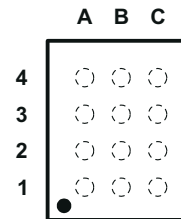


Figure 5-2. NMN Package, 12-Pin nFBGA (Top View)

Table 5-1. Pin Functions: ZXU/ NMN

PIN		TYPE ⁽¹⁾	DESCRIPTION
NO.	NAME		
A1	A1	I/O	Input/output A1. Referenced to V_{CCA} .
A2	A2	I/O	Input/output A2. Referenced to V_{CCA} .
A3	A3	I/O	Input/output A3. Referenced to V_{CCA} .
A4	A4	I/O	Input/output A4. Referenced to V_{CCA} .
C1	B1	I/O	Input/output B1. Referenced to V_{CCB} .
C2	B2	I/O	Input/output B2. Referenced to V_{CCB} .
C3	B3	I/O	Input/output B3. Referenced to V_{CCB} .
C4	B4	I/O	Input/output B4. Referenced to V_{CCB} .
B4	GND	—	Ground
B3	OE	I	3-state output-mode enable. Pull OE low to place all outputs in 3-state mode. Referenced to V_{CCA} .
B2	V_{CCA}	—	A-port supply voltage. $1.65\text{ V} \leq V_{CCA} \leq 3.6\text{ V}$ and $V_{CCA} \leq V_{CCB}$.
B1	V_{CCB}	—	B-port supply voltage. $2.3\text{ V} \leq V_{CCB} \leq 5.5\text{ V}$.

(1) I = input, O = output

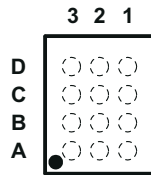
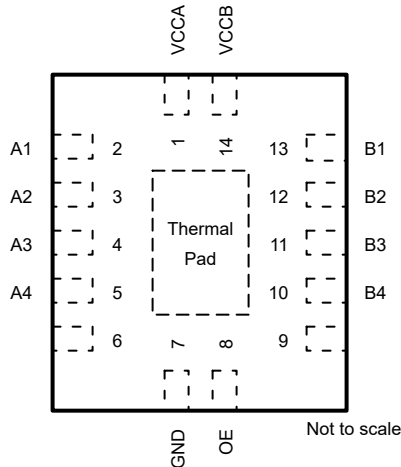


Figure 5-3. YZT Package, 12-Pin DSBGA (Top View)

Table 5-2. Pin Functions: DSBGA

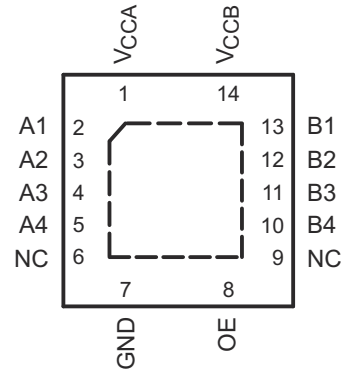
PIN		TYPE ⁽¹⁾	DESCRIPTION
NO.	NAME		
A3	A1	I/O	Input/output A1. Referenced to V _{CCA} .
B3	A2	I/O	Input/output A2. Referenced to V _{CCA} .
C3	A3	I/O	Input/output A3. Referenced to V _{CCA} .
D3	A4	I/O	Input/output A4. Referenced to V _{CCA} .
A1	B1	I/O	Input/output B1. Referenced to V _{CCB} .
B1	B2	I/O	Input/output B2. Referenced to V _{CCB} .
C1	B3	I/O	Input/output B3. Referenced to V _{CCB} .
D1	B4	I/O	Input/output B4. Referenced to V _{CCB} .
D2	GND	—	Ground
C2	OE	I	3-state output-mode enable. Pull OE low to place all outputs in 3-state mode. Referenced to V _{CCA} .
B2	V _{CCA}	—	A-port supply voltage. 1.65 V ≤ V _{CCA} ≤ 3.6 V and V _{CCA} ≤ V _{CCB} .
A2	V _{CCB}	—	B-port supply voltage. 2.3 V ≤ V _{CCB} ≤ 5.5 V.

(1) I = input, O = output



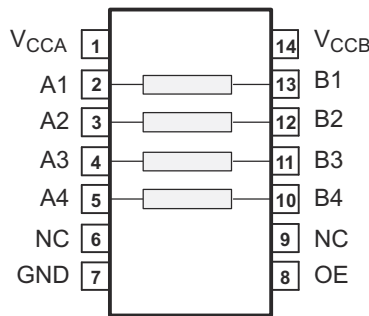
NC - No internal connection

Figure 5-4. BQA Package, 14-Pin WQFN (Top View)



NC - No internal connection

Figure 5-5. RGY Package, 14-Pin VQFN (Top View)



NC - No internal connection

Figure 5-6. D and PW Package, 14-Pin SOIC and TSSOP (Top View)

Table 5-3. Pin Functions: D, PW, or RGY

PIN		TYPE ⁽¹⁾	DESCRIPTION
NAME	NO.		
A1	2	I/O	Input/output A1. Referenced to V_{CCA} .
A2	3	I/O	Input/output A2. Referenced to V_{CCA} .
A3	4	I/O	Input/output A3. Referenced to V_{CCA} .
A4	5	I/O	Input/output A4. Referenced to V_{CCA} .
B1	13	I/O	Input/output B1. Referenced to V_{CCB} .
B2	12	I/O	Input/output B2. Referenced to V_{CCB} .
B3	11	I/O	Input/output B3. Referenced to V_{CCB} .
B4	10	I/O	Input/output B4. Referenced to V_{CCB} .
GND	7	—	Ground
OE	8	I	3-state output-mode enable. Pull OE low to place all outputs in 3-state mode. Referenced to V_{CCA} .
V_{CCA}	1	—	A-port supply voltage. $1.65\text{ V} \leq V_{CCA} \leq 3.6\text{ V}$ and $V_{CCA} \leq V_{CCB}$.
V_{CCB}	14	—	B-port supply voltage. $2.3\text{ V} \leq V_{CCB} \leq 5.5\text{ V}$.
Thermal Pad		—	For the RGY package, the exposed center thermal pad must be connected to ground

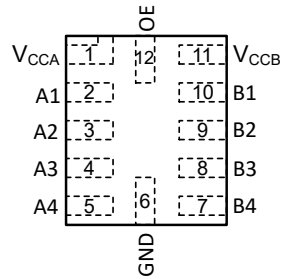


Figure 5-7. RUT Package, 12-Pin UQFN (Transparent Top View)

Table 5-4. Pin Functions: RUT

PIN		TYPE ⁽¹⁾	DESCRIPTION
NAME	NO.		
A1	2	I/O	Input/output A1. Referenced to V_{CCA} .
A2	3	I/O	Input/output A2. Referenced to V_{CCA} .
A3	4	I/O	Input/output A3. Referenced to V_{CCA} .
A4	5	I/O	Input/output A4. Referenced to V_{CCA} .
B1	10	I/O	Input/output B1. Referenced to V_{CCB} .
B2	9	I/O	Input/output B2. Referenced to V_{CCB} .
B3	8	I/O	Input/output B3. Referenced to V_{CCB} .
B4	7	I/O	Input/output B4. Referenced to V_{CCB} .
GND	6	—	Ground
OE	12	I	3-state output-mode enable. Pull OE low to place all outputs in 3-state mode. Referenced to V_{CCA} .
V_{CCA}	1	—	A-port supply voltage. $1.65\text{ V} \leq V_{CCA} \leq 3.6\text{ V}$ and $V_{CCA} \leq V_{CCB}$.
V_{CCB}	11	—	A-port supply voltage. $1.65\text{ V} \leq V_{CCA} \leq 3.6\text{ V}$ and $V_{CCA} \leq V_{CCB}$.

(1) I = input, O = output

6 Specifications

6.1 Absolute Maximum Ratings

over operating free-air temperature range (unless otherwise noted)⁽¹⁾

		MIN	MAX	UNIT
Supply voltage, V_{CCA}		-0.5	4.6	V
Supply voltage, V_{CCB}		-0.5	6.5	V
Input voltage, V_I ⁽²⁾	A port	-0.5	4.6	V
	B port	-0.5	6.5	
Voltage range applied to any output in the high-impedance or power-off state, V_O ⁽²⁾	A port	-0.5	4.6	V
	B port	-0.5	6.5	
Voltage range applied to any output in the high or low state, V_O ^{(2) (3)}	A port	-0.5	$V_{CCA} + 0.5$	V
	B port	-0.5	$V_{CCB} + 0.5$	
Input clamp current, I_{IK}	$V_I < 0$		-50	mA
Output clamp current, I_{OK}	$V_O < 0$		-50	mA
Continuous output current, I_O		-50	50	mA
Continuous current through each V_{CCA} , V_{CCB} , or GND		-100	100	mA
Operating junction temperature, T_J			150	°C
Storage temperature, T_{STG}		-65	150	°C

- (1) Stresses beyond those listed under *Absolute Maximum Ratings* may cause permanent damage to the device. These are stress ratings only, and functional operation of the device at these or any other conditions beyond those indicated under *Recommended Operating Conditions* is not implied. Exposure to absolute-maximum-rated conditions for extended periods may affect device reliability.
- (2) The input and output negative-voltage ratings may be exceeded if the input and output current ratings are observed.
- (3) The value of V_{CCA} and V_{CCB} are provided in the recommended operating conditions table.

6.2 ESD Ratings

			VALUE	UNIT
$V_{(ESD)}$ Electrostatic discharge	Human body model (HBM), per ANSI/ESDA/JEDEC JS-001, all pins ⁽¹⁾	A Port	±2000	V
		B Port	±15	kV
	Charged device model (CDM), per JEDEC specification JESD22-C101, all pins ⁽²⁾	A Port	±1000	V
		B Port	±1000	
	Machine model (MM)	A Port	±200	V
		B Port	±200	

- (1) JEDEC document JEP155 states that 500-V HBM allows safe manufacturing with a standard ESD control process.
- (2) JEDEC document JEP157 states that 250-V CDM allows safe manufacturing with a standard ESD control process.

6.3 Recommended Operating Conditions

over operating free-air temperature range (unless otherwise noted)^{(1) (2)}

		V_{CCA}	V_{CCB}	MIN	MAX	UNIT	
V_{CCA}	Supply voltage ⁽³⁾			1.65	3.6	V	
V_{CCB}	Supply voltage ⁽³⁾			2.3	5.5	V	
V_{IH}	High-level input voltage	A-port I/Os	1.65 V to 1.95 V	2.3 V to 5.5 V	$V_{CCI} - 0.2$	V_{CCI}	V
			2.3 V to 3.6 V	2.3 V to 5.5 V	$V_{CCI} - 0.4$	V_{CCI}	
		B-port I/Os	1.65 V to 3.6 V	2.3 V to 5.5 V	$V_{CCI} - 0.4$	V_{CCI}	
		OE input	1.65 V to 3.6 V	2.3 V to 5.5 V	$V_{CCA} \times 0.65$	5.5	
V_{IL}	Low-level input voltage	A-port I/Os	1.65 V to 3.6 V	2.3 V to 5.5 V	0	0.15	V
		B-port I/Os	1.65 V to 3.6 V	2.3 V to 5.5 V	0	0.15	
		OE input	1.65 V to 3.6 V	2.3 V to 5.5 V	0	$V_{CCA} \times 0.35$	
$\Delta t/\Delta v$	Input transition rise or fall rate	A-port I/Os push-pull driving	1.65 V to 3.6 V	2.3 V to 5.5 V		10	ns/V
		B-port I/Os push-pull driving	1.65 V to 3.6 V	2.3 V to 5.5 V		10	
		Control input	1.65 V to 3.6 V	2.3 V to 5.5 V		10	
T_A	Operating free-air temperature			-40	85	°C	

- (1) V_{CCI} is the supply voltage associated with the input port.
(2) V_{CCO} is the supply voltage associated with the output port.
(3) V_{CCA} must be less than or equal to V_{CCB} , and V_{CCA} must not exceed 3.6 V.

6.4 Thermal Information: ZXU, YZT, and NMN

THERMAL METRIC ⁽¹⁾	TXS0104E			UNIT	
	ZXU (BGA MICROSTAR JUNIOR) ⁽²⁾	YZT (DSBGA)	NMN (NFGBA)		
	12 PINS	12 PINS	12 PINS		
$R_{\theta JA}$	Junction-to-ambient thermal resistance	132.0	89.2	134.3	°C/W
$R_{\theta JC(top)}$	Junction-to-case (top) thermal resistance	98.4	0.9	90.7	°C/W
$R_{\theta JB}$	Junction-to-board thermal resistance	68.7	14.4	88.4	°C/W
Ψ_{JT}	Junction-to-top characterization parameter	3.1	3.0	4.3	°C/W
Ψ_{JB}	Junction-to-board characterization parameter	68.2	14.4	89.3	°C/W

- (1) For more information about traditional and new thermal metrics, see the [Semiconductor and IC Package Thermal Metrics](#) application report.

6.5 Thermal Information: D, PW, and RGY

THERMAL METRIC ⁽¹⁾		TXS0104E			UNIT
		D (SOIC) ⁽¹⁾	PW (TSSOP) ⁽²⁾	RGY (VQFN) ⁽³⁾	
		14 PINS	14 PINS	14 PINS	
R _{θJA}	Junction-to-ambient thermal resistance	90.4	120.1	56.1	°C/W
R _{θJC(top)}	Junction-to-case (top) thermal resistance	50.1	49.4	68.8	°C/W
R _{θJB}	Junction-to-board thermal resistance	45.0	61.8	32.1	°C/W
ψ _{JT}	Junction-to-top characterization parameter	14.4	6.2	3.1	°C/W
ψ _{JB}	Junction-to-board characterization parameter	44.7	61.2	32.3	°C/W
R _{θJC(bot)}	Junction-to-case (bottom) thermal resistance	—	—	12.8	°C/W

- (1) For more information about traditional and new thermal metrics, see the [Semiconductor and IC Package Thermal Metrics](#) application report.
- (2) The package thermal impedance is calculated in accordance with JESD 51-7.
- (3) The package thermal impedance is calculated in accordance with JESD 51-5.

6.6 Electrical Characteristics

over recommended operating free-air temperature range (unless otherwise noted) ⁽¹⁾ ⁽²⁾ ⁽³⁾

PARAMETER	TEST CONDITIONS	V _{CCA}	V _{CCB}	MIN	TYP	MAX	UNIT
V _{OHA}	Port A output high voltage I _{OH} = –20 μA, V _{IB} ≥ V _{CCB} – 0.4 V T _A = –40°C to 85°C	1.65 V to 3.6 V	2.3 V to 5.5 V	V _{CCA} × 0.8			V
V _{OLA}	Port A output low voltage I _{OL} = 1 mA, V _{IB} ≤ 0.15 V T _A = –40°C to 85°C	1.65 V to 3.6 V	2.3 V to 5.5 V			0.4	V
V _{OHB}	Port B output high voltage I _{OH} = –20 μA, V _{IA} ≥ V _{CCA} – 0.2 V T _A = –40°C to 85°C	1.65 V to 3.6 V	2.3 V to 5.5 V	V _{CCB} × 0.8			V
V _{OLB}	Port B output low voltage I _{OL} = 1 mA, V _{IA} ≤ 0.15 V T _A = –40°C to 85°C	1.65 V to 3.6 V	2.3 V to 5.5 V			0.4	V
I _I	Input leakage current OE: V _I = V _{CC1} or GND T _A = 25°C	1.65 V to 3.6 V	2.3 V to 5.5 V	–1		1	μA
		1.65 V to 3.6 V	2.3 V to 5.5 V	–2		2	
I _{OZ}	High-impedance state output current A or B port: OE = V _{IL} T _A = 25°C	1.65 V to 3.6 V	2.3 V to 5.5 V	–1		1	μA
		1.65 V to 3.6 V	2.3 V to 5.5 V	–2		2	
I _{CCA}	V _{CCA} supply current V _I = V _O = Open, I _O = 0 T _A = –40°C to 85°C	1.65 V to V _{CCB}	2.3 V to 5.5 V			2.4	μA
		3.6 V	0			2.2	
		0	5.5 V			–1	
I _{CCB}	V _{CCB} supply current V _I = V _O = Open, I _O = 0 T _A = –40°C to 85°C	1.65 V to V _{CCB}	2.3 V to 5.5 V			12	μA
		3.6 V	0			–1	
		0	5.5 V			1	
I _{CCA} + I _{CCB}	Combined supply current V _I = V _O = Open, I _O = 0 T _A = –40°C to 85°C	1.65 V to V _{CCB}	2.3 V to 5.5 V			14.4	μA
C ₁	Input capacitance OE: T _A = 25°C	3.3 V	3.3 V		2.5		pF
		3.3 V	3.3 V			3.5	

6.6 Electrical Characteristics (continued)

over recommended operating free-air temperature range (unless otherwise noted) ⁽¹⁾ ⁽²⁾ ⁽³⁾

PARAMETER		TEST CONDITIONS	V _{CCA}	V _{CCB}	MIN	TYP	MAX	UNIT
C _{io}	Input-to-output internal capacitance	A port: T _A = 25°C	3.3 V	3.3 V		5		pF
			3.3 V	3.3 V			6.5	
		B port: T _A = -40°C to 85°C	3.3 V	3.3 V		12		
			3.3 V	3.3 V			16.5	

- (1) V_{CCI} is the supply voltage associated with the input port.
(2) V_{CCO} is the supply voltage associated with the output port.
(3) V_{CCA} must be less than or equal to V_{CCB}, and V_{CCA} must not exceed 3.6 V.

6.7 Timing Requirements: V_{CCA} = 1.8 V ± 0.15 V

over recommended operating free-air temperature range, V_{CCA} = 1.8 V ± 0.15 V (unless otherwise noted)

					MIN	MAX	UNIT
Data rate	Push-pull driving		V _{CCB} = 2.5 V ± 0.2 V V _{CCB} = 3.3 V ± 0.3 V V _{CCB} = 5 V ± 0.5 V			24	Mbps
	Open-drain driving		V _{CCB} = 2.5 V ± 0.2 V V _{CCB} = 3.3 V ± 0.3 V V _{CCB} = 5 V ± 0.5 V			2	
t _w	Push-pull driving	Data inputs	V _{CCB} = 2.5 V ± 0.2 V V _{CCB} = 3.3 V ± 0.3 V V _{CCB} = 5 V ± 0.5 V		41		ns
	Open-drain driving	Data inputs	V _{CCB} = 2.5 V ± 0.2 V V _{CCB} = 3.3 V ± 0.3 V V _{CCB} = 5 V ± 0.5 V		500		

6.8 Timing Requirements: V_{CCA} = 2.5 V ± 0.2 V

over recommended operating free-air temperature range, V_{CCA} = 2.5 V ± 0.2 V (unless otherwise noted)

					MIN	MAX	UNIT
Data rate	Push-pull driving		V _{CCB} = 2.5 V ± 0.2 V V _{CCB} = 3.3 V ± 0.3 V V _{CCB} = 5 V ± 0.5 V			24	Mbps
	Open-drain driving		V _{CCB} = 2.5 V ± 0.2 V V _{CCB} = 3.3 V ± 0.3 V V _{CCB} = 5 V ± 0.5 V			2	
t _w	Push-pull driving	Data inputs	V _{CCB} = 2.5 V ± 0.2 V V _{CCB} = 3.3 V ± 0.3 V V _{CCB} = 5 V ± 0.5 V		41		ns
	Open-drain driving	Data inputs	V _{CCB} = 2.5 V ± 0.2 V V _{CCB} = 3.3 V ± 0.3 V V _{CCB} = 5 V ± 0.5 V		500		

6.9 Timing Requirements: V_{CCA} = 3.3 V ± 0.3 V

over recommended operating free-air temperature range, V_{CCA} = 3.3 V ± 0.3 V (unless otherwise noted)

					MIN	MAX	UNIT
Data rate	Push-pull driving		V _{CCB} = 3.3 V ± 0.3 V V _{CCB} = 5 V ± 0.5 V			24	Mbps
	Open-drain driving		V _{CCB} = 3.3 V ± 0.3 V V _{CCB} = 5 V ± 0.5 V			2	
t _w	Push-pull driving	Data inputs	V _{CCB} = 3.3 V ± 0.3 V V _{CCB} = 5 V ± 0.5 V		41		ns
	Open-drain driving	Data inputs	V _{CCB} = 3.3 V ± 0.3 V V _{CCB} = 5 V ± 0.5 V		500		

6.10 Switching Characteristics: $V_{CCA} = 1.8\text{ V} \pm 0.15\text{ V}$

over recommended operating free-air temperature range, $V_{CCA} = 1.8\text{ V} \pm 0.15\text{ V}$ (unless otherwise noted)

PARAMETER		TEST CONDITIONS		MIN	MAX	UNIT	
t_{PHL}	Propagation delay time (high-to-low output)	A-to-B	Push-pull driving	$V_{CCB} = 2.5\text{ V} \pm 0.2\text{ V}$	4.6	ns	
				$V_{CCB} = 3.3\text{ V} \pm 0.3\text{ V}$	4.7		
				$V_{CCB} = 5\text{ V} \pm 0.5\text{ V}$	5.8		
			Open-drain driving	$V_{CCB} = 2.5\text{ V} \pm 0.2\text{ V}$	2.9		8.8
				$V_{CCB} = 3.3\text{ V} \pm 0.3\text{ V}$	2.9		9.6
				$V_{CCB} = 5\text{ V} \pm 0.5\text{ V}$	3		10
t_{PLH}	Propagation delay time (low-to-high output)	A-to-B	Push-pull driving	$V_{CCB} = 2.5\text{ V} \pm 0.2\text{ V}$	6.8	ns	
				$V_{CCB} = 3.3\text{ V} \pm 0.3\text{ V}$	6.8		
				$V_{CCB} = 5\text{ V} \pm 0.5\text{ V}$	7		
			Open-drain driving	$V_{CCB} = 2.5\text{ V} \pm 0.2\text{ V}$	45		260
				$V_{CCB} = 3.3\text{ V} \pm 0.3\text{ V}$	36		208
				$V_{CCB} = 5\text{ V} \pm 0.5\text{ V}$	27		198
t_{PHL}	Propagation delay time (high-to-low output)	B-to-A	Push-pull driving	$V_{CCB} = 2.5\text{ V} \pm 0.2\text{ V}$	4.4	ns	
				$V_{CCB} = 3.3\text{ V} \pm 0.3\text{ V}$	4.5		
				$V_{CCB} = 5\text{ V} \pm 0.5\text{ V}$	4.7		
			Open-drain driving	$V_{CCB} = 2.5\text{ V} \pm 0.2\text{ V}$	1.9		5.3
				$V_{CCB} = 3.3\text{ V} \pm 0.3\text{ V}$	1.1		4.4
				$V_{CCB} = 5\text{ V} \pm 0.5\text{ V}$	1.2		4
t_{PLH}	Propagation delay time (low-to-high output)	B-to-A	Push-pull driving	$V_{CCB} = 2.5\text{ V} \pm 0.2\text{ V}$	5.3	ns	
				$V_{CCB} = 3.3\text{ V} \pm 0.3\text{ V}$	4.5		
				$V_{CCB} = 5\text{ V} \pm 0.5\text{ V}$	0.5		
			Open-drain driving	$V_{CCB} = 2.5\text{ V} \pm 0.2\text{ V}$	45		175
				$V_{CCB} = 3.3\text{ V} \pm 0.3\text{ V}$	36		140
				$V_{CCB} = 5\text{ V} \pm 0.5\text{ V}$	27		102
t_{en}	Enable time	OE-to-A or B	$V_{CCB} = 2.5\text{ V} \pm 0.2\text{ V}$	200	ns		
			$V_{CCB} = 3.3\text{ V} \pm 0.3\text{ V}$	200			
			$V_{CCB} = 5\text{ V} \pm 0.5\text{ V}$	200			
t_{dis}	Disable time	OE-to-A or B	$V_{CCB} = 2.5\text{ V} \pm 0.2\text{ V}$	50	ns		
			$V_{CCB} = 3.3\text{ V} \pm 0.3\text{ V}$	40			
			$V_{CCB} = 5\text{ V} \pm 0.5\text{ V}$	35			
t_{rA}	Input rise time	A-port rise time	Push-pull driving	$V_{CCB} = 2.5\text{ V} \pm 0.2\text{ V}$	3.2	ns	
				$V_{CCB} = 3.3\text{ V} \pm 0.3\text{ V}$	2.3		9.3
				$V_{CCB} = 5\text{ V} \pm 0.5\text{ V}$	2		7.6
			Open-drain driving	$V_{CCB} = 2.5\text{ V} \pm 0.2\text{ V}$	38		165
				$V_{CCB} = 3.3\text{ V} \pm 0.3\text{ V}$	30		132
				$V_{CCB} = 5\text{ V} \pm 0.5\text{ V}$	22		95
t_{rB}	Input rise time	B-port rise time	Push-pull driving	$V_{CCB} = 2.5\text{ V} \pm 0.2\text{ V}$	4	ns	
				$V_{CCB} = 3.3\text{ V} \pm 0.3\text{ V}$	2.7		9.1
				$V_{CCB} = 5\text{ V} \pm 0.5\text{ V}$	2.7		7.6
			Open-drain driving	$V_{CCB} = 2.5\text{ V} \pm 0.2\text{ V}$	34		145
				$V_{CCB} = 3.3\text{ V} \pm 0.3\text{ V}$	23		106
				$V_{CCB} = 5\text{ V} \pm 0.5\text{ V}$	10		58

6.10 Switching Characteristics: $V_{CCA} = 1.8\text{ V} \pm 0.15\text{ V}$ (continued)

over recommended operating free-air temperature range, $V_{CCA} = 1.8\text{ V} \pm 0.15\text{ V}$ (unless otherwise noted)

PARAMETER		TEST CONDITIONS		MIN	MAX	UNIT	
t_{fA}	Input fall time	A-port fall time	Push-pull driving	$V_{CCB} = 2.5\text{ V} \pm 0.2\text{ V}$	2	5.9	ns
				$V_{CCB} = 3.3\text{ V} \pm 0.3\text{ V}$	1.9	6	
				$V_{CCB} = 5\text{ V} \pm 0.5\text{ V}$	1.7	13.3	
			Open-drain driving	$V_{CCB} = 2.5\text{ V} \pm 0.2\text{ V}$	4.4	6.9	
				$V_{CCB} = 3.3\text{ V} \pm 0.3\text{ V}$	4.3	6.4	
				$V_{CCB} = 5\text{ V} \pm 0.5\text{ V}$	4.2	6.1	
t_{fB}	Input fall time	B-port fall time	Push-pull driving	$V_{CCB} = 2.5\text{ V} \pm 0.2\text{ V}$	2.9	7.6	ns
				$V_{CCB} = 3.3\text{ V} \pm 0.3\text{ V}$	2.8	7.5	
				$V_{CCB} = 5\text{ V} \pm 0.5\text{ V}$	2.8	8.8	
			Open-drain driving	$V_{CCB} = 2.5\text{ V} \pm 0.2\text{ V}$	6.9	13.8	
				$V_{CCB} = 3.3\text{ V} \pm 0.3\text{ V}$	7.5	16.2	
				$V_{CCB} = 5\text{ V} \pm 0.5\text{ V}$	7	16.2	
$t_{SK(O)}$	Skew (time), output	Channel-to-channel skew	$V_{CCB} = 2.5\text{ V} \pm 0.2\text{ V}$		1	ns	
			$V_{CCB} = 3.3\text{ V} \pm 0.3\text{ V}$		1		
			$V_{CCB} = 5\text{ V} \pm 0.5\text{ V}$		1		
Maximum data rate			Push-pull driving	$V_{CCB} = 2.5\text{ V} \pm 0.2\text{ V}$	24	Mbps	
				$V_{CCB} = 3.3\text{ V} \pm 0.3\text{ V}$	24		
				$V_{CCB} = 5\text{ V} \pm 0.5\text{ V}$	24		
			Open-drain driving	$V_{CCB} = 2.5\text{ V} \pm 0.2\text{ V}$	2		
				$V_{CCB} = 3.3\text{ V} \pm 0.3\text{ V}$	2		
				$V_{CCB} = 5\text{ V} \pm 0.5\text{ V}$	2		

6.11 Switching Characteristics: $V_{CCA} = 2.5\text{ V} \pm 0.2\text{ V}$

over recommended operating free-air temperature range, $V_{CCA} = 2.5\text{ V} \pm 0.2\text{ V}$ (unless otherwise noted)

PARAMETER		TEST CONDITIONS		MIN	MAX	UNIT	
t_{PHL}	Propagation delay time (high-to-low output)	A-to-B	Push-pull driving	$V_{CCB} = 2.5\text{ V} \pm 0.2\text{ V}$		3.2	ns
				$V_{CCB} = 3.3\text{ V} \pm 0.3\text{ V}$		3.3	
				$V_{CCB} = 5\text{ V} \pm 0.5\text{ V}$		3.4	
			Open-drain driving	$V_{CCB} = 2.5\text{ V} \pm 0.2\text{ V}$	1.7	6.3	
				$V_{CCB} = 3.3\text{ V} \pm 0.3\text{ V}$	2	6	
				$V_{CCB} = 5\text{ V} \pm 0.5\text{ V}$	2.1	5.8	
t_{PLH}	Propagation delay time (low-to-high output)	A-to-B	Push-pull driving	$V_{CCB} = 2.5\text{ V} \pm 0.2\text{ V}$		3.5	ns
				$V_{CCB} = 3.3\text{ V} \pm 0.3\text{ V}$		4.1	
				$V_{CCB} = 5\text{ V} \pm 0.5\text{ V}$		4.4	
			Open-drain driving	$V_{CCB} = 2.5\text{ V} \pm 0.2\text{ V}$	43	250	
				$V_{CCB} = 3.3\text{ V} \pm 0.3\text{ V}$	36	206	
				$V_{CCB} = 5\text{ V} \pm 0.5\text{ V}$	27	190	
t_{PHL}	Propagation delay time (high-to-low output)	B-to-A	Push-pull driving	$V_{CCB} = 2.5\text{ V} \pm 0.2\text{ V}$		3	ns
				$V_{CCB} = 3.3\text{ V} \pm 0.3\text{ V}$		3.6	
				$V_{CCB} = 5\text{ V} \pm 0.5\text{ V}$		4.3	
			Open-drain driving	$V_{CCB} = 2.5\text{ V} \pm 0.2\text{ V}$	1.8	4.7	
				$V_{CCB} = 3.3\text{ V} \pm 0.3\text{ V}$	2.6	4.2	
				$V_{CCB} = 5\text{ V} \pm 0.5\text{ V}$	1.2	4	

6.11 Switching Characteristics: $V_{CCA} = 2.5\text{ V} \pm 0.2\text{ V}$ (continued)

over recommended operating free-air temperature range, $V_{CCA} = 2.5\text{ V} \pm 0.2\text{ V}$ (unless otherwise noted)

PARAMETER		TEST CONDITIONS		MIN	MAX	UNIT	
t_{PLH}	Propagation delay time (low-to-high output)	B-to-A	Push-pull driving	$V_{CCB} = 2.5\text{ V} \pm 0.2\text{ V}$	2.5		
				$V_{CCB} = 3.3\text{ V} \pm 0.3\text{ V}$	1.6		
				$V_{CCB} = 5\text{ V} \pm 0.5\text{ V}$	0.7		
		Open-drain driving	$V_{CCB} = 2.5\text{ V} \pm 0.2\text{ V}$	44	170		
			$V_{CCB} = 3.3\text{ V} \pm 0.3\text{ V}$	37	140		
			$V_{CCB} = 5\text{ V} \pm 0.5\text{ V}$	27	103		
t_{en}	Enable time	OE-to-A or B	$V_{CCB} = 2.5\text{ V} \pm 0.2\text{ V}$		200	ns	
			$V_{CCB} = 3.3\text{ V} \pm 0.3\text{ V}$		200		
			$V_{CCB} = 5\text{ V} \pm 0.5\text{ V}$		200		
t_{dis}	Disable time	OE-to-A or B	$V_{CCB} = 2.5\text{ V} \pm 0.2\text{ V}$		50	ns	
			$V_{CCB} = 3.3\text{ V} \pm 0.3\text{ V}$		40		
			$V_{CCB} = 5\text{ V} \pm 0.5\text{ V}$		35		
t_{rA}	Input rise time	A-port rise time	Push-pull driving	$V_{CCB} = 2.5\text{ V} \pm 0.2\text{ V}$	2.8	7.4	ns
				$V_{CCB} = 3.3\text{ V} \pm 0.3\text{ V}$	2.6	6.6	
				$V_{CCB} = 5\text{ V} \pm 0.5\text{ V}$	1.8	5.6	
		Open-drain driving	$V_{CCB} = 2.5\text{ V} \pm 0.2\text{ V}$	34	149		
			$V_{CCB} = 3.3\text{ V} \pm 0.3\text{ V}$	28	121		
			$V_{CCB} = 5\text{ V} \pm 0.5\text{ V}$	24	89		
t_{rB}	Input rise time	B-port rise time	Push-pull driving	$V_{CCB} = 2.5\text{ V} \pm 0.2\text{ V}$	3.2	8.3	ns
				$V_{CCB} = 3.3\text{ V} \pm 0.3\text{ V}$	2.9	7.2	
				$V_{CCB} = 5\text{ V} \pm 0.5\text{ V}$	2.4	6.1	
		Open-drain driving	$V_{CCB} = 2.5\text{ V} \pm 0.2\text{ V}$	35	151		
			$V_{CCB} = 3.3\text{ V} \pm 0.3\text{ V}$	24	112		
			$V_{CCB} = 5\text{ V} \pm 0.5\text{ V}$	12	64		
t_{fA}	Input fall time	A-port fall time	Push-pull driving	$V_{CCB} = 2.5\text{ V} \pm 0.2\text{ V}$	1.9	5.7	ns
				$V_{CCB} = 3.3\text{ V} \pm 0.3\text{ V}$	1.9	5.5	
				$V_{CCB} = 5\text{ V} \pm 0.5\text{ V}$	1.8	5.3	
		Open-drain driving	$V_{CCB} = 2.5\text{ V} \pm 0.2\text{ V}$	4.4	6.9		
			$V_{CCB} = 3.3\text{ V} \pm 0.3\text{ V}$	4.3	6.2		
			$V_{CCB} = 5\text{ V} \pm 0.5\text{ V}$	4.2	5.8		
t_{fB}	Input fall time	B-port fall time	Push-pull driving	$V_{CCB} = 2.5\text{ V} \pm 0.2\text{ V}$	2.2	7.8	ns
				$V_{CCB} = 3.3\text{ V} \pm 0.3\text{ V}$	2.4	6.7	
				$V_{CCB} = 5\text{ V} \pm 0.5\text{ V}$	2.6	6.6	
		Open-drain driving	$V_{CCB} = 2.5\text{ V} \pm 0.2\text{ V}$	5.1	8.8		
			$V_{CCB} = 3.3\text{ V} \pm 0.3\text{ V}$	5.4	9.4		
			$V_{CCB} = 5\text{ V} \pm 0.5\text{ V}$	5.4	10.4		
$t_{SK(O)}$	Skew (time), output	Channel-to-channel skew	$V_{CCB} = 2.5\text{ V} \pm 0.2\text{ V}$		1	ns	
			$V_{CCB} = 3.3\text{ V} \pm 0.3\text{ V}$		1		
			$V_{CCB} = 5\text{ V} \pm 0.5\text{ V}$		1		

6.11 Switching Characteristics: $V_{CCA} = 2.5\text{ V} \pm 0.2\text{ V}$ (continued)

over recommended operating free-air temperature range, $V_{CCA} = 2.5\text{ V} \pm 0.2\text{ V}$ (unless otherwise noted)

PARAMETER	TEST CONDITIONS		MIN	MAX	UNIT
Maximum data rate	Push-pull driving	$V_{CCB} = 2.5\text{ V} \pm 0.2\text{ V}$	24		Mbps
		$V_{CCB} = 3.3\text{ V} \pm 0.3\text{ V}$	24		
		$V_{CCB} = 5\text{ V} \pm 0.5\text{ V}$	24		
	Open-drain driving	$V_{CCB} = 2.5\text{ V} \pm 0.2\text{ V}$	2		
		$V_{CCB} = 3.3\text{ V} \pm 0.3\text{ V}$	2		
		$V_{CCB} = 5\text{ V} \pm 0.5\text{ V}$	2		

6.12 Switching Characteristics: $V_{CCA} = 3.3\text{ V} \pm 0.3\text{ V}$

over recommended operating free-air temperature range, $V_{CCA} = 3.3\text{ V} \pm 0.3\text{ V}$ (unless otherwise noted)

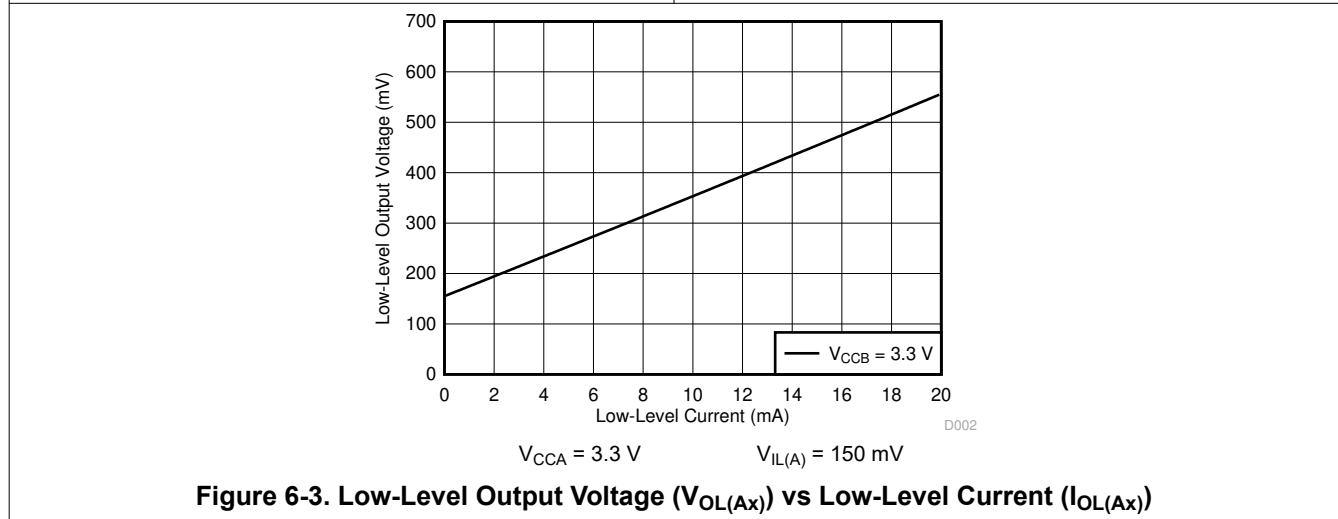
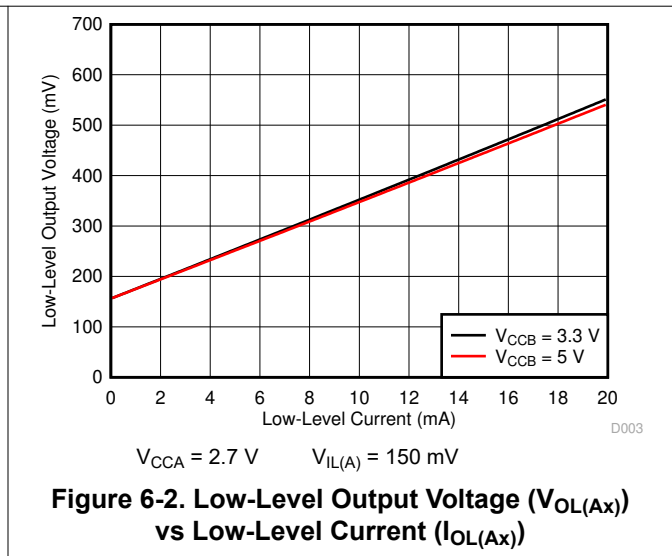
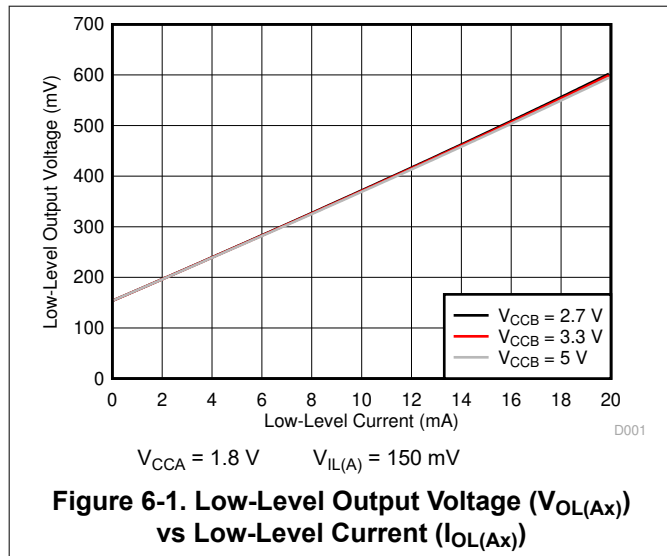
PARAMETER	TEST CONDITIONS		MIN	MAX	UNIT	
t_{PHL} Propagation delay time (high-to-low output)	A-to-B	Push-pull driving	$V_{CCB} = 3.3\text{ V} \pm 0.3\text{ V}$	2.4	ns	
			$V_{CCB} = 5\text{ V} \pm 0.5\text{ V}$	3.1		
		Open-drain driving	$V_{CCB} = 3.3\text{ V} \pm 0.3\text{ V}$	1.3		4.2
			$V_{CCB} = 5\text{ V} \pm 0.5\text{ V}$	1.4		4.6
t_{PLH} Propagation delay time (low-to-high output)	A-to-B	Push-pull driving	$V_{CCB} = 3.3\text{ V} \pm 0.3\text{ V}$	4.2	ns	
			$V_{CCB} = 5\text{ V} \pm 0.5\text{ V}$	4.4		
		Open-drain driving	$V_{CCB} = 3.3\text{ V} \pm 0.3\text{ V}$	36		204
			$V_{CCB} = 5\text{ V} \pm 0.5\text{ V}$	28		165
t_{PHL} Propagation delay time (high-to-low output)	B-to-A	Push-pull driving	$V_{CCB} = 3.3\text{ V} \pm 0.3\text{ V}$	2.5	ns	
			$V_{CCB} = 5\text{ V} \pm 0.5\text{ V}$	3.3		
		Open-drain driving	$V_{CCB} = 3.3\text{ V} \pm 0.3\text{ V}$	1		124
			$V_{CCB} = 5\text{ V} \pm 0.5\text{ V}$	1		97
t_{PLH} Propagation delay time (low-to-high output)	B-to-A	Push-pull driving	$V_{CCB} = 3.3\text{ V} \pm 0.3\text{ V}$	2.5	ns	
			$V_{CCB} = 5\text{ V} \pm 0.5\text{ V}$	2.6		
		Open-drain driving	$V_{CCB} = 3.3\text{ V} \pm 0.3\text{ V}$	3		139
			$V_{CCB} = 5\text{ V} \pm 0.5\text{ V}$	3		105
t_{en} Enable time	OE-to-A or B	$V_{CCB} = 3.3\text{ V} \pm 0.3\text{ V}$		200	ns	
		$V_{CCB} = 5\text{ V} \pm 0.5\text{ V}$		200		
t_{dis} Disable time	OE-to-A or B	$V_{CCB} = 3.3\text{ V} \pm 0.3\text{ V}$		40	ns	
		$V_{CCB} = 5\text{ V} \pm 0.5\text{ V}$		35		
t_{rA} Input rise time	A-port rise time	Push-pull driving	$V_{CCB} = 3.3\text{ V} \pm 0.3\text{ V}$	2.3	5.6	ns
			$V_{CCB} = 5\text{ V} \pm 0.5\text{ V}$	1.9	4.8	
		Open-drain driving	$V_{CCB} = 3.3\text{ V} \pm 0.3\text{ V}$	25	116	
			$V_{CCB} = 5\text{ V} \pm 0.5\text{ V}$	19	85	
t_{rB} Input rise time	B-port rise time	Push-pull driving	$V_{CCB} = 3.3\text{ V} \pm 0.3\text{ V}$	2.5	6.4	ns
			$V_{CCB} = 5\text{ V} \pm 0.5\text{ V}$	2.1	7.4	
		Open-drain driving	$V_{CCB} = 3.3\text{ V} \pm 0.3\text{ V}$	26	116	
			$V_{CCB} = 5\text{ V} \pm 0.5\text{ V}$	26	116	
t_{fA} Input fall time	A-port fall time	Push-pull driving	$V_{CCB} = 3.3\text{ V} \pm 0.3\text{ V}$	2	5.4	ns
			$V_{CCB} = 5\text{ V} \pm 0.5\text{ V}$	1.9	5	
		Open-drain driving	$V_{CCB} = 3.3\text{ V} \pm 0.3\text{ V}$	4.3	6.1	
			$V_{CCB} = 5\text{ V} \pm 0.5\text{ V}$	4.2	5.7	

6.12 Switching Characteristics: $V_{CCA} = 3.3\text{ V} \pm 0.3\text{ V}$ (continued)

over recommended operating free-air temperature range, $V_{CCA} = 3.3\text{ V} \pm 0.3\text{ V}$ (unless otherwise noted)

PARAMETER		TEST CONDITIONS		MIN	MAX	UNIT	
t_{fB}	Input fall time	B-port fall time	Push-pull driving	$V_{CCB} = 3.3\text{ V} \pm 0.3\text{ V}$	2.3	7.4	ns
				$V_{CCB} = 5\text{ V} \pm 0.5\text{ V}$	2.4	7.6	
		Open-drain driving	$V_{CCB} = 3.3\text{ V} \pm 0.3\text{ V}$	5	7.6		
			$V_{CCB} = 5\text{ V} \pm 0.5\text{ V}$	4.8	8.3		
$t_{SK(O)}$	Skew (time), output	Channel-to-channel skew		$V_{CCB} = 3.3\text{ V} \pm 0.3\text{ V}$	1	ns	
				$V_{CCB} = 5\text{ V} \pm 0.5\text{ V}$	1		
Maximum data rate		Push-pull driving	$V_{CCB} = 3.3\text{ V} \pm 0.3\text{ V}$	24	Mbps		
			$V_{CCB} = 5\text{ V} \pm 0.5\text{ V}$	24			
		Open-drain driving	$V_{CCB} = 3.3\text{ V} \pm 0.3\text{ V}$	2			
			$V_{CCB} = 5\text{ V} \pm 0.5\text{ V}$	2			

6.13 Typical Characteristics



7 Parameter Measurement Information

7.1 Load Circuits

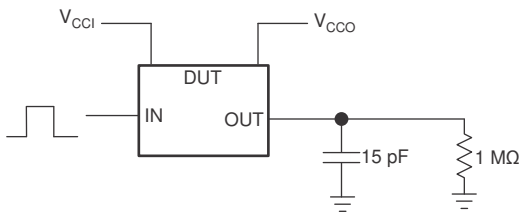


Figure 7-1. Data Rate, Pulse Duration, Propagation Delay, Output Rise-Time and Fall-Time Measurement Using a Push-Pull Driver

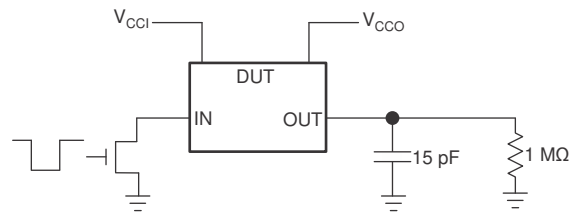
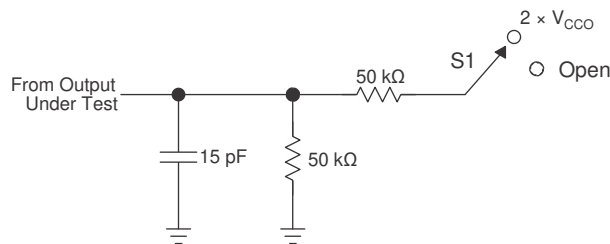


Figure 7-2. Data Rate, Pulse Duration, Propagation Delay, Output Rise-Time and Fall-Time Measurement Using an Open-Drain Driver



TEST	S1
t_{PZL} / t_{PLZ} (t_{dis})	$2 \times V_{CCO}$
t_{PHZ} / t_{PZH} (t_{en})	Open

Figure 7-3. Load Circuit for Enable-Time and Disable-Time Measurement

1. t_{PLZ} and t_{PHZ} are the same as t_{dis} .
2. t_{PZL} and t_{PZH} are the same as t_{en} .
3. V_{CCI} is the V_{CC} associated with the input port.
4. V_{CCO} is the V_{CC} associated with the output port.

7.2 Voltage Waveforms

The outputs are measured one at a time, with one transition per measurement. All input pulses are supplied by generators that have the following characteristics:

- $PRR \leq 10 \text{ MHz}$
- $Z_O = 50 \Omega$
- $dv/dt \geq 1 \text{ V/ns}$

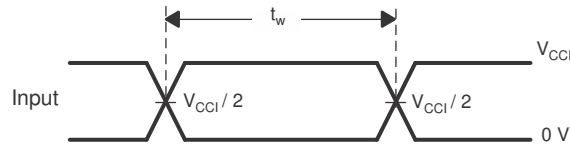


Figure 7-4. Pulse Duration

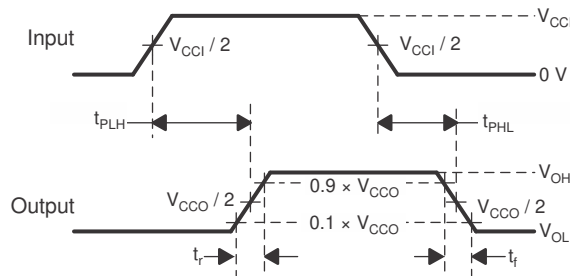
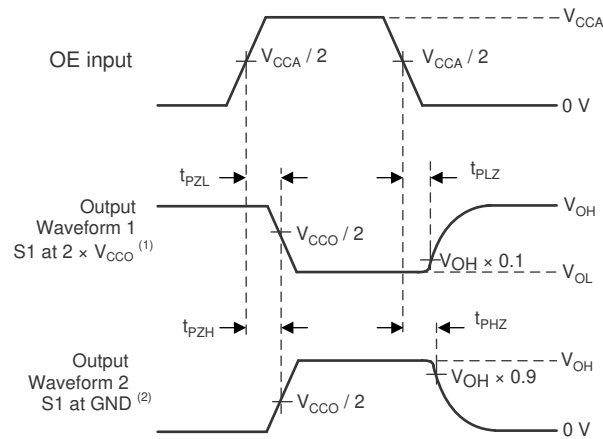


Figure 7-5. Propagation Delay Times



- A. Waveform 1 is for an output with internal such that the output is high, except when OE is high (see [Figure 7-3](#)).
- B. Waveform 2 is for an output with conditions such that the output is low, except when OE is high.

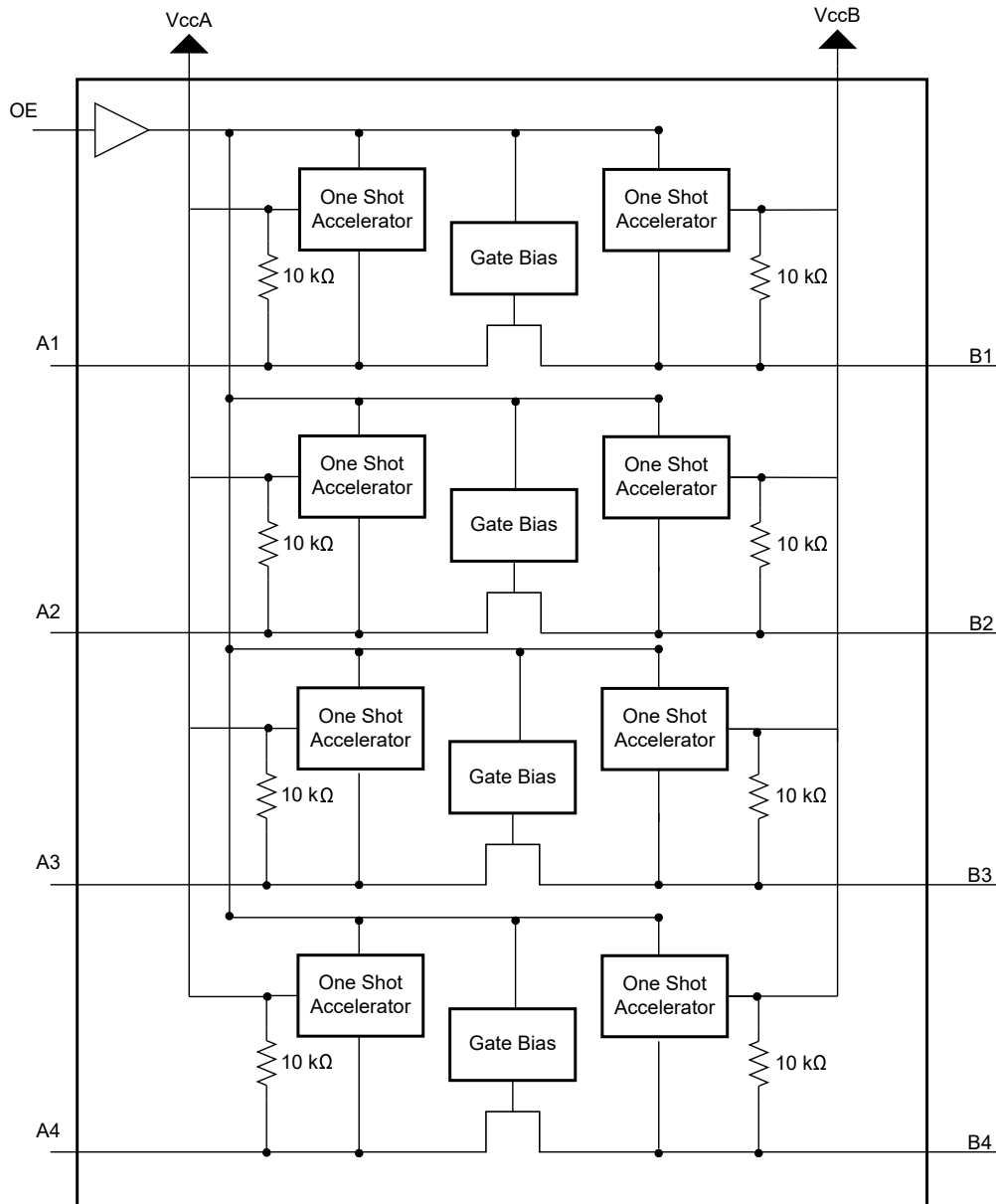
Figure 7-6. Enable and Disable Times

8 Detailed Description

8.1 Overview

The TXS0104E device is a directionless voltage-level translator specifically designed for translating logic voltage levels. The A port is able to accept I/O voltages ranging from 1.65 V to 3.6 V, while the B port can accept I/O voltages from 2.3 V to 5.5 V. The device is a pass gate architecture with edge rate accelerators (one shots) to improve the overall data rate. 10-k Ω pullup resistors, commonly used in open drain applications, have been conveniently integrated so that an external resistor is not needed. While this device is designed for open drain applications, the device can also translate push-pull CMOS logic outputs.

8.2 Functional Block Diagram



8.3 Feature Description

8.3.1 Architecture

The TXS0104E architecture (see [Figure 8-1](#)) does not require a direction-control signal in order to control the direction of data flow from A to B or from B to A.

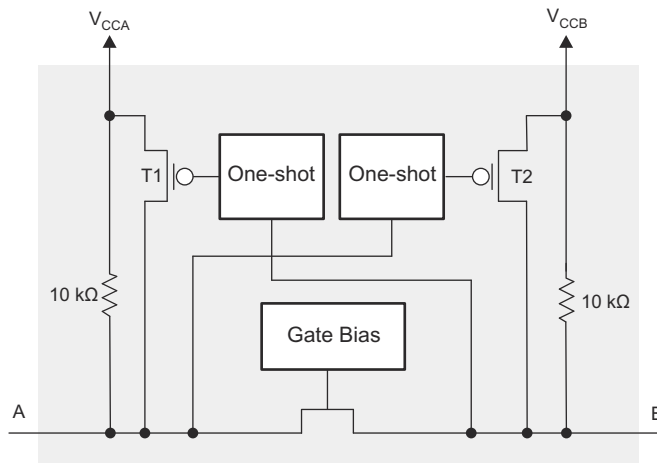


Figure 8-1. Architecture of a TXS01xx Cell

Each A-port I/O has an internal 10-k Ω pullup resistor to V_{CCA} , and each B-port I/O has an internal 10-k Ω pullup resistor to V_{CCB} . The output one-shots detect rising edges on the A or B ports. During a rising edge, the one-shot turns on the PMOS transistors (T1, T2) for a short duration which speeds up the low-to-high transition.

8.3.2 Input Driver Requirements

The fall time (t_{fA} , t_{fB}) of a signal depends on the output impedance of the external device driving the data I/Os of the TXS0104E device. Similarly, the t_{PHL} and maximum data rates also depend on the output impedance of the external driver. The values for t_{fA} , t_{fB} , t_{PHL} , and maximum data rates in the data sheet assume that the output impedance of the external driver is less than 50 Ω .

8.3.3 Power Up

During operation, ensure that $V_{CCA} \leq V_{CCB}$ at all times. During power-up sequencing, $V_{CCA} \geq V_{CCB}$ does not damage the device, so any power supply can be ramped up first.

8.3.4 Enable and Disable

The TXS0104E device has an OE input that disables the device by setting OE low, which places all I/Os in the high-impedance state. The disable time (t_{dis}) indicates the delay between the time when the OE pin goes low and when the outputs actually enter the high-impedance state. The enable time (t_{en}) indicates the amount of time the user must allow for the one-shot circuitry to become operational after the OE pin is taken high.

8.3.5 Pullup and Pulldown Resistors on I/O Lines

Each A-port I/O has an internal 10-k Ω pullup resistor to V_{CCA} , and each B-port I/O has an internal 10-k Ω pullup resistor to V_{CCB} . If a smaller value of pullup resistor is required, an external resistor must be added from the I/O to V_{CCA} or V_{CCB} (in parallel with the internal 10-k Ω resistors).

8.4 Device Functional Modes

The TXS0104E device has two functional modes, enabled and disabled. To disable the device set the OE input low, which places all I/Os in a high impedance state. Setting the OE input high will enable the device.

9 Application and Implementation

Note

Information in the following applications sections is not part of the TI component specification, and TI does not warrant its accuracy or completeness. TI's customers are responsible for determining suitability of components for their purposes, as well as validating and testing their design implementation to confirm system functionality.

9.1 Application Information

The TXS0104E device can be used in level-translation applications for interfacing devices or systems operating at different interface voltages with one another. The TXS0104E device is an excellent choice for applications where an open-drain driver is connected to the data I/Os. The TXS0104E device can also be used in applications where a push-pull driver is connected to the data I/Os, but the TXB0104 device might be a better option for such push-pull applications.

9.2 Typical Application

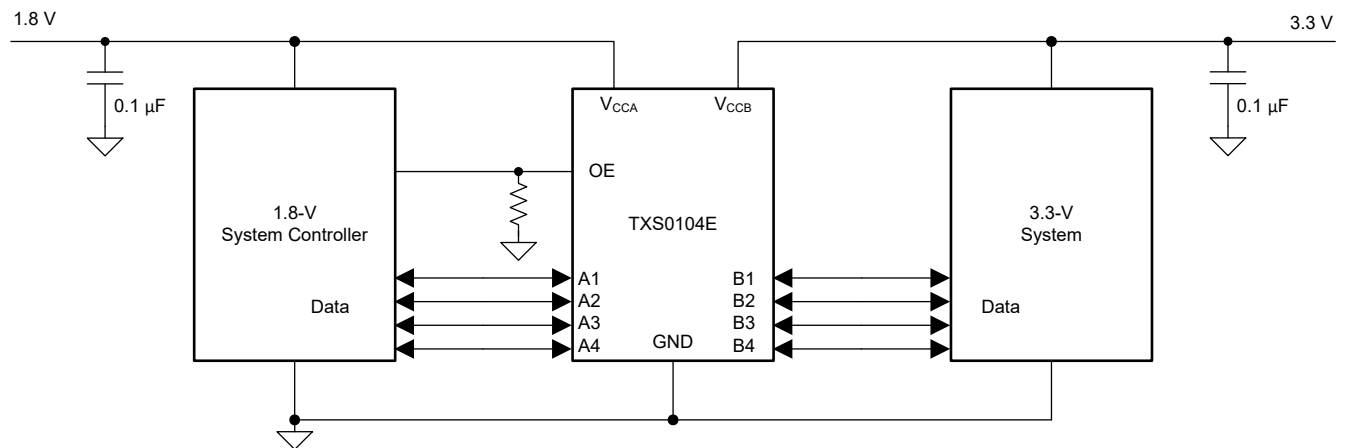


Figure 9-1. Application Schematic

9.2.1 Design Requirements

For this design example, use the parameters listed in [Table 9-1](#).

Table 9-1. Design Parameters

DESIGN PARAMETER	EXAMPLE VALUE
Input voltage range	1.65 to 3.6 V
Output voltage range	2.3 to 5.5 V

9.2.2 Detailed Design Procedure

To begin the design process, determine the following:

- Input voltage range
 - Use the supply voltage of the device that is driving the TXS0104E device to determine the input voltage range. For a valid logic high the value must exceed the V_{IH} of the input port. For a valid logic low the value must be less than the V_{IL} of the input port.
- Output voltage range
 - Use the supply voltage of the device that the TXS0104E device is driving to determine the output voltage range.
 - The TXS0104E device has 10-k Ω internal pullup resistors. External pullup resistors can be added to reduce the total RC of a signal trace if necessary.
- An external pull down resistor decreases the output V_{OH} and V_{OL} . Use [Equation 1](#) to calculate the V_{OH} as a result of an external pull down resistor.

$$V_{OH} = V_{CCx} \times R_{PD} / (R_{PD} + 10 \text{ k}\Omega) \quad (1)$$

where

V_{CCx} is the supply voltage on either V_{CCA} or V_{CCB}
 R_{PD} is the value of the external pull down resistor

9.2.3 Application Curve

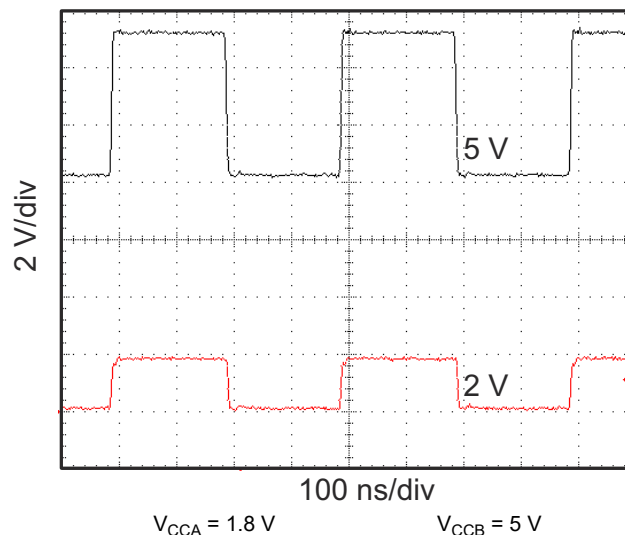


Figure 9-2. Level-Translation of a 2.5-MHz Signal

9.3 Power Supply Recommendations

The TXS0104E device uses two separate configurable power-supply rails, V_{CCA} and V_{CCB} . V_{CCB} accepts any supply voltage from 2.3 V to 5.5 V and V_{CCA} accepts any supply voltage from 1.65 V to 3.6 V as long as V_S is less than or equal to V_{CCB} . The A port and B port are designed to track V_{CCA} and V_{CCB} respectively allowing for low-voltage bidirectional translation between any of the 1.8-V, 2.5-V, 3.3-V, and 5-V voltage nodes.

The TXS0104E device does not require power sequencing between V_{CCA} and V_{CCB} during power-up so the power-supply rails can be ramped in any order. A V_{CCA} value greater than or equal to V_{CCB} ($V_{CCA} \geq V_{CCB}$) does not damage the device, but during operation, V_{CCA} must be less than or equal to V_{CCB} ($V_{CCA} \leq V_{CCB}$) at all times.

The output-enable (OE) input circuit is designed so that it is supplied by V_{CCA} and when the (OE) input is low, all outputs are placed in the high-impedance state. For the high-impedance state of the outputs during power up or power down, the OE input pin must be tied to GND through a pulldown resistor and must not be enabled until V_{CCA} and V_{CCB} are fully ramped and stable. The minimum value of the pulldown resistor to ground is determined by the current-sourcing capability of the driver.

9.4 Layout

9.4.1 Layout Guidelines

For device reliability, following common printed-circuit board layout guidelines is recommended.

- Bypass capacitors should be used on power supplies.
- Short trace lengths should be used to avoid excessive loading.
- PCB signal trace-lengths must be kept short enough so that the round-trip delay of any reflection is less than the one shot duration, approximately 30 ns, and encounters low impedance at the source driver.
- Placing pads on the signal paths for loading capacitors or pullup resistors to help adjust rise and fall times of signals depending on the system requirements

9.4.2 Layout Example

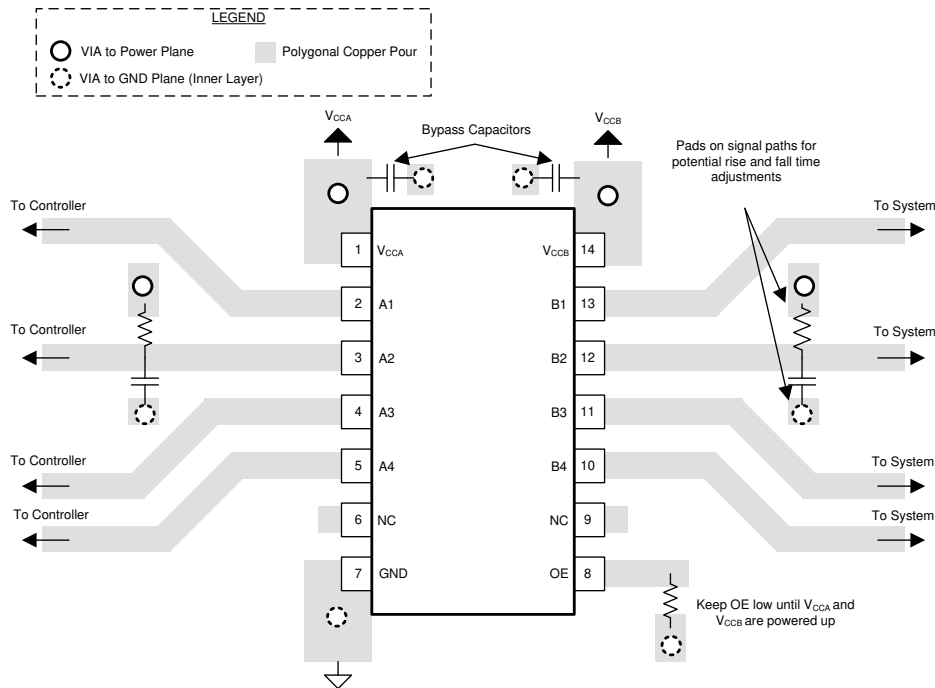


Figure 9-3. TXS0104E Layout Example

10 Device and Documentation Support

10.1 Documentation Support

10.1.1 Related Documentation

For related documentation, see the following:

- Texas Instruments, [Effects of External Pullup and Pulldown Resistors on TXS and TXB Devices application report](#)
- Texas Instruments, [Basics of Voltage Translation application report](#)
- Texas Instruments, [A Guide to Voltage Translation With TXS-Type Translators application report](#)

10.2 Receiving Notification of Documentation Updates

To receive notification of documentation updates, navigate to the device product folder on ti.com. Click on *Subscribe to updates* to register and receive a weekly digest of any product information that has changed. For change details, review the revision history included in any revised document.

10.3 Support Resources

[TI E2E™ support forums](#) are an engineer's go-to source for fast, verified answers and design help — straight from the experts. Search existing answers or ask your own question to get the quick design help you need.

Linked content is provided "AS IS" by the respective contributors. They do not constitute TI specifications and do not necessarily reflect TI's views; see TI's [Terms of Use](#).

10.4 Trademarks

NanoFree™ and TI E2E™ are trademarks of Texas Instruments.
All trademarks are the property of their respective owners.

10.5 Electrostatic Discharge Caution



This integrated circuit can be damaged by ESD. Texas Instruments recommends that all integrated circuits be handled with appropriate precautions. Failure to observe proper handling and installation procedures can cause damage.

ESD damage can range from subtle performance degradation to complete device failure. Precision integrated circuits may be more susceptible to damage because very small parametric changes could cause the device not to meet its published specifications.

10.6 Glossary

[TI Glossary](#) This glossary lists and explains terms, acronyms, and definitions.

11 Mechanical, Packaging, and Orderable Information

The following pages include mechanical, packaging, and orderable information. This information is the most current data available for the designated devices. This data is subject to change without notice and revision of this document. For browser-based versions of this data sheet, refer to the left-hand navigation.

PACKAGING INFORMATION

Orderable Device	Status (1)	Package Type	Package Drawing	Pins	Package Qty	Eco Plan (2)	Lead finish/ Ball material (6)	MSL Peak Temp (3)	Op Temp (°C)	Device Marking (4/5)	Samples
TXS0104EBQAR	ACTIVE	WQFN	BQA	14	3000	RoHS & Green	NIPDAU	Level-1-260C-UNLIM	-40 to 125	YF04E	Samples
TXS0104ED	ACTIVE	SOIC	D	14	50	RoHS & Green	NIPDAU	Level-1-260C-UNLIM	-40 to 85	TXS0104E	Samples
TXS0104EDG4	ACTIVE	SOIC	D	14	50	RoHS & Green	NIPDAU	Level-1-260C-UNLIM	-40 to 85	TXS0104E	Samples
TXS0104EDR	ACTIVE	SOIC	D	14	2500	RoHS & Green	NIPDAU	Level-1-260C-UNLIM	-40 to 85	TXS0104E	Samples
TXS0104ENMNR	ACTIVE	NFBGA	NMN	12	2500	RoHS & Green	SNAGCU	Level-2-260C-1 YEAR	-40 to 85	29XW	Samples
TXS0104EPWR	ACTIVE	TSSOP	PW	14	2000	RoHS & Green	NIPDAU	Level-1-260C-UNLIM	-40 to 85	YF04E	Samples
TXS0104EPWRG4	ACTIVE	TSSOP	PW	14	2000	RoHS & Green	NIPDAU	Level-1-260C-UNLIM	-40 to 85	YF04E	Samples
TXS0104ERGYR	ACTIVE	VQFN	RGY	14	3000	RoHS & Green	NIPDAU	Level-2-260C-1 YEAR	-40 to 85	YF04E	Samples
TXS0104ERGYRG4	ACTIVE	VQFN	RGY	14	3000	RoHS & Green	NIPDAU	Level-2-260C-1 YEAR	-40 to 85	YF04E	Samples
TXS0104ERUTR	ACTIVE	UQFN	RUT	12	3000	RoHS & Green	NIPDAU	Level-1-260C-UNLIM	-40 to 125	1RP	Samples
TXS0104EYZTR	ACTIVE	DSBGA	YZT	12	3000	RoHS & Green	SNAGCU	Level-1-260C-UNLIM	-40 to 85	(2HN, 2N)	Samples

⁽¹⁾ The marketing status values are defined as follows:

ACTIVE: Product device recommended for new designs.

LIFEBUY: TI has announced that the device will be discontinued, and a lifetime-buy period is in effect.

NRND: Not recommended for new designs. Device is in production to support existing customers, but TI does not recommend using this part in a new design.

PREVIEW: Device has been announced but is not in production. Samples may or may not be available.

OBSELETE: TI has discontinued the production of the device.

⁽²⁾ **RoHS:** TI defines "RoHS" to mean semiconductor products that are compliant with the current EU RoHS requirements for all 10 RoHS substances, including the requirement that RoHS substance do not exceed 0.1% by weight in homogeneous materials. Where designed to be soldered at high temperatures, "RoHS" products are suitable for use in specified lead-free processes. TI may reference these types of products as "Pb-Free".

RoHS Exempt: TI defines "RoHS Exempt" to mean products that contain lead but are compliant with EU RoHS pursuant to a specific EU RoHS exemption.

Green: TI defines "Green" to mean the content of Chlorine (Cl) and Bromine (Br) based flame retardants meet JS709B low halogen requirements of <=1000ppm threshold. Antimony trioxide based flame retardants must also meet the <=1000ppm threshold requirement.

⁽³⁾ MSL, Peak Temp. - The Moisture Sensitivity Level rating according to the JEDEC industry standard classifications, and peak solder temperature.

(4) There may be additional marking, which relates to the logo, the lot trace code information, or the environmental category on the device.

(5) Multiple Device Markings will be inside parentheses. Only one Device Marking contained in parentheses and separated by a "~" will appear on a device. If a line is indented then it is a continuation of the previous line and the two combined represent the entire Device Marking for that device.

(6) Lead finish/Ball material - Orderable Devices may have multiple material finish options. Finish options are separated by a vertical ruled line. Lead finish/Ball material values may wrap to two lines if the finish value exceeds the maximum column width.

Important Information and Disclaimer:The information provided on this page represents TI's knowledge and belief as of the date that it is provided. TI bases its knowledge and belief on information provided by third parties, and makes no representation or warranty as to the accuracy of such information. Efforts are underway to better integrate information from third parties. TI has taken and continues to take reasonable steps to provide representative and accurate information but may not have conducted destructive testing or chemical analysis on incoming materials and chemicals. TI and TI suppliers consider certain information to be proprietary, and thus CAS numbers and other limited information may not be available for release.

In no event shall TI's liability arising out of such information exceed the total purchase price of the TI part(s) at issue in this document sold by TI to Customer on an annual basis.

OTHER QUALIFIED VERSIONS OF TXS0104E :

- Automotive : [TXS0104E-Q1](#)

NOTE: Qualified Version Definitions:

- Automotive - Q100 devices qualified for high-reliability automotive applications targeting zero defects

TAPE AND REEL INFORMATION

QUADRANT ASSIGNMENTS FOR PIN 1 ORIENTATION IN TAPE


*All dimensions are nominal

Device	Package Type	Package Drawing	Pins	SPQ	Reel Diameter (mm)	Reel Width W1 (mm)	A0 (mm)	B0 (mm)	K0 (mm)	P1 (mm)	W (mm)	Pin1 Quadrant
TXS0104EBQAR	WQFN	BQA	14	3000	180.0	12.4	2.8	3.3	1.1	4.0	12.0	Q1
TXS0104EDR	SOIC	D	14	2500	330.0	12.4	3.75	3.75	1.15	8.0	12.0	Q1
TXS0104EDR	SOIC	D	14	2500	330.0	16.4	6.5	9.0	2.1	8.0	16.0	Q1
TXS0104ENMNR	NFBGA	NMN	12	2500	180.0	8.4	2.3	2.8	1.15	4.0	8.0	Q2
TXS0104EPWR	TSSOP	PW	14	2000	330.0	12.4	6.9	5.6	1.6	8.0	12.0	Q1
TXS0104EPWR	TSSOP	PW	14	2000	330.0	12.4	6.9	5.6	1.6	8.0	12.0	Q1
TXS0104ERGYR	VQFN	RGY	14	3000	330.0	12.4	3.75	3.75	1.15	8.0	12.0	Q1
TXS0104ERUTR	UQFN	RUT	12	3000	180.0	8.4	2.0	2.3	0.75	4.0	8.0	Q1
TXS0104EYZTR	DSBGA	YZT	12	3000	180.0	8.4	1.49	1.99	0.75	4.0	8.0	Q2

TAPE AND REEL BOX DIMENSIONS

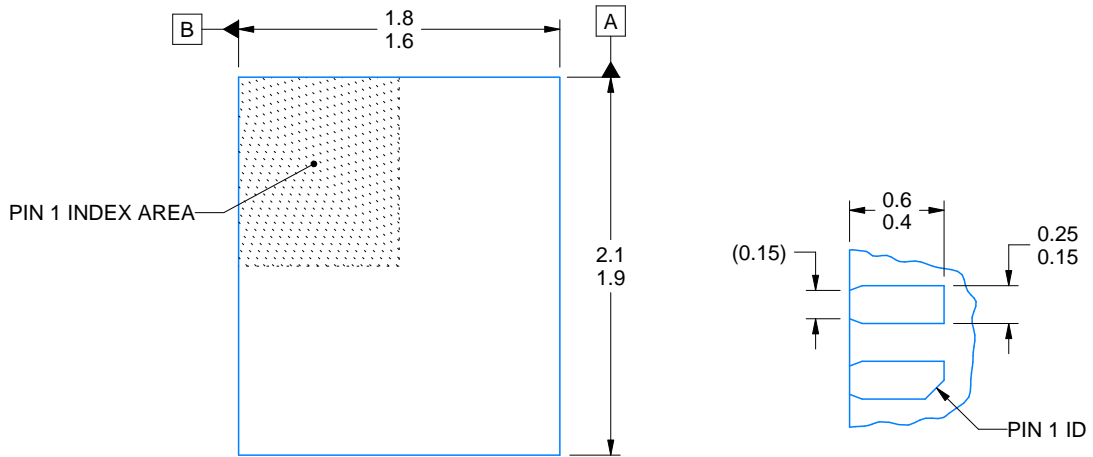

*All dimensions are nominal

Device	Package Type	Package Drawing	Pins	SPQ	Length (mm)	Width (mm)	Height (mm)
TXS0104EBQAR	WQFN	BQA	14	3000	210.0	185.0	35.0
TXS0104EDR	SOIC	D	14	2500	353.0	353.0	32.0
TXS0104EDR	SOIC	D	14	2500	356.0	356.0	35.0
TXS0104ENMNR	NFBGA	NMN	12	2500	210.0	185.0	35.0
TXS0104EPWR	TSSOP	PW	14	2000	353.0	353.0	32.0
TXS0104EPWR	TSSOP	PW	14	2000	356.0	356.0	35.0
TXS0104ERGYR	VQFN	RGY	14	3000	356.0	356.0	35.0
TXS0104ERUTR	UQFN	RUT	12	3000	210.0	185.0	35.0
TXS0104EYZTR	DSBGA	YZT	12	3000	182.0	182.0	20.0

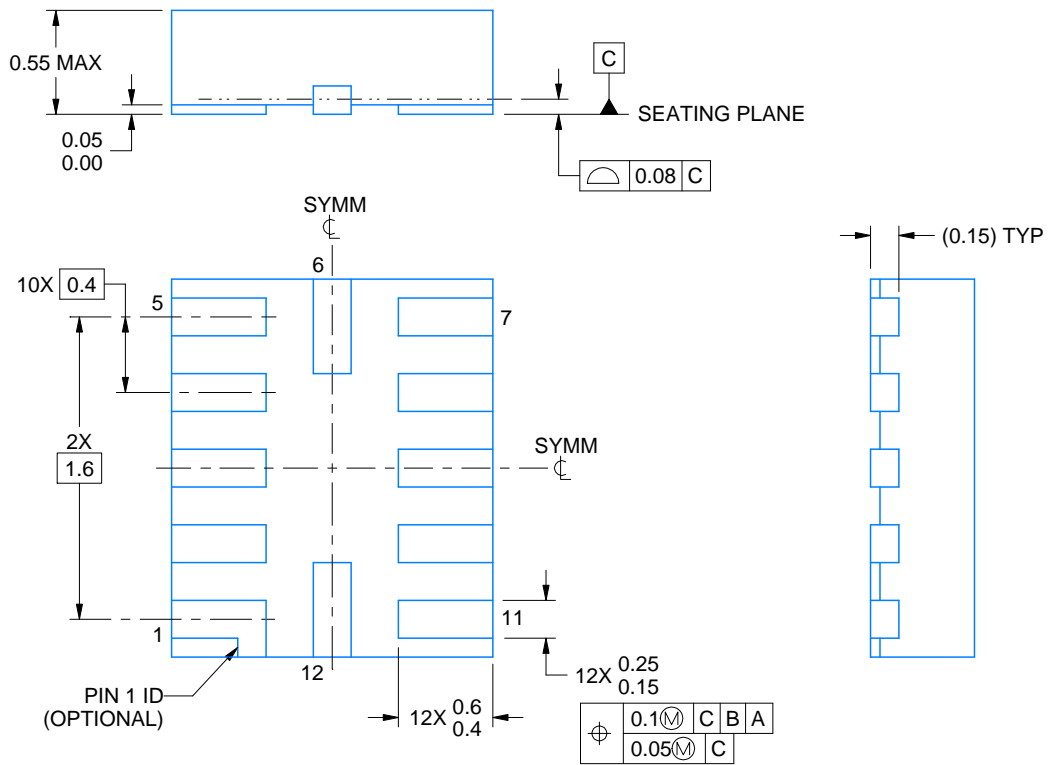
TUBE


*All dimensions are nominal

Device	Package Name	Package Type	Pins	SPQ	L (mm)	W (mm)	T (μm)	B (mm)
TXS0104ED	D	SOIC	14	50	506.6	8	3940	4.32
TXS0104EDG4	D	SOIC	14	50	506.6	8	3940	4.32



OPTIONAL TERMINAL & PIN 1 ID



4220310/A 11/2016

NOTES:

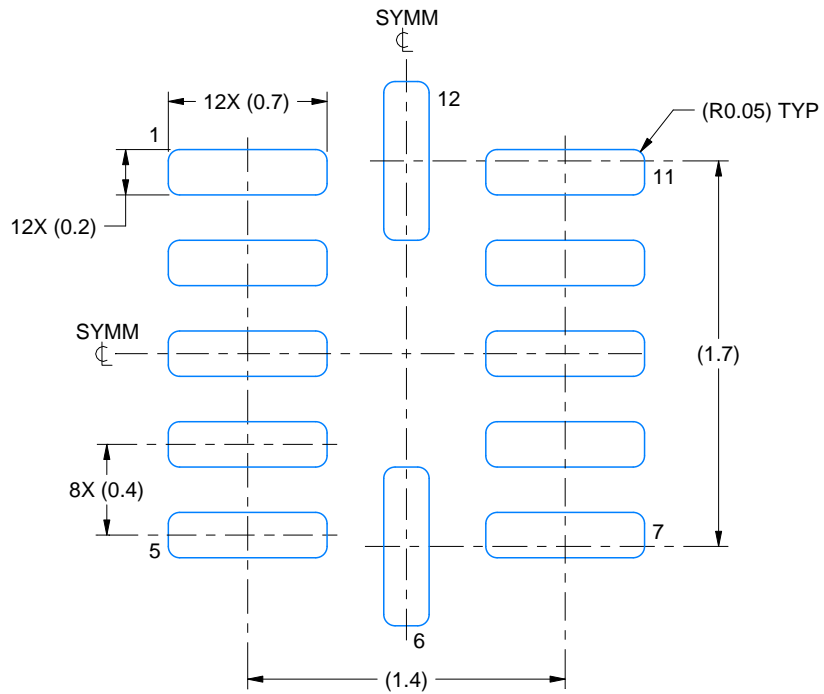
1. All linear dimensions are in millimeters. Any dimensions in parenthesis are for reference only. Dimensioning and tolerancing per ASME Y14.5M.
2. This drawing is subject to change without notice.

EXAMPLE BOARD LAYOUT

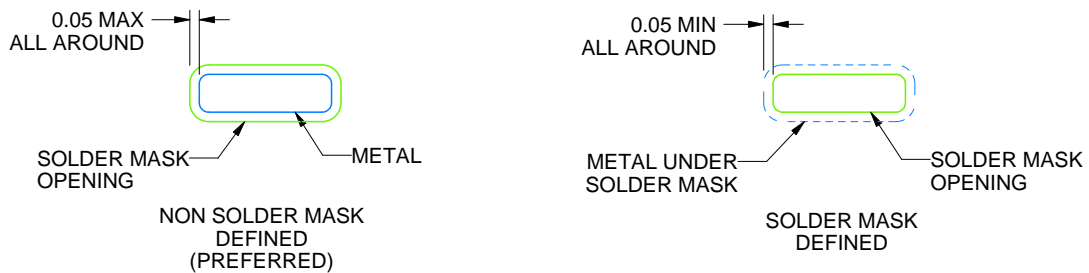
RUT0012A

UQFN - 0.55 mm max height

PLASTIC QUAD FLATPACK - NO LEAD



LAND PATTERN EXAMPLE
SCALE:30X



SOLDER MASK DETAILS

4220310/A 11/2016

NOTES: (continued)

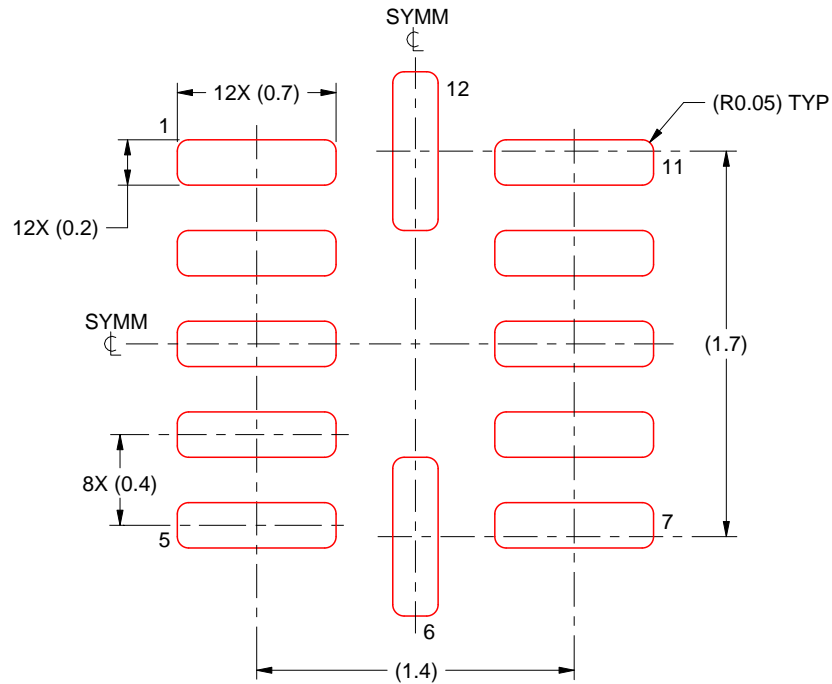
3. For more information, see Texas Instruments literature number SLUA271 (www.ti.com/lit/slue271).

EXAMPLE STENCIL DESIGN

RUT0012A

UQFN - 0.55 mm max height

PLASTIC QUAD FLATPACK - NO LEAD



SOLDER PASTE EXAMPLE
BASED ON 0.1 mm THICK STENCIL
SCALE: 30X

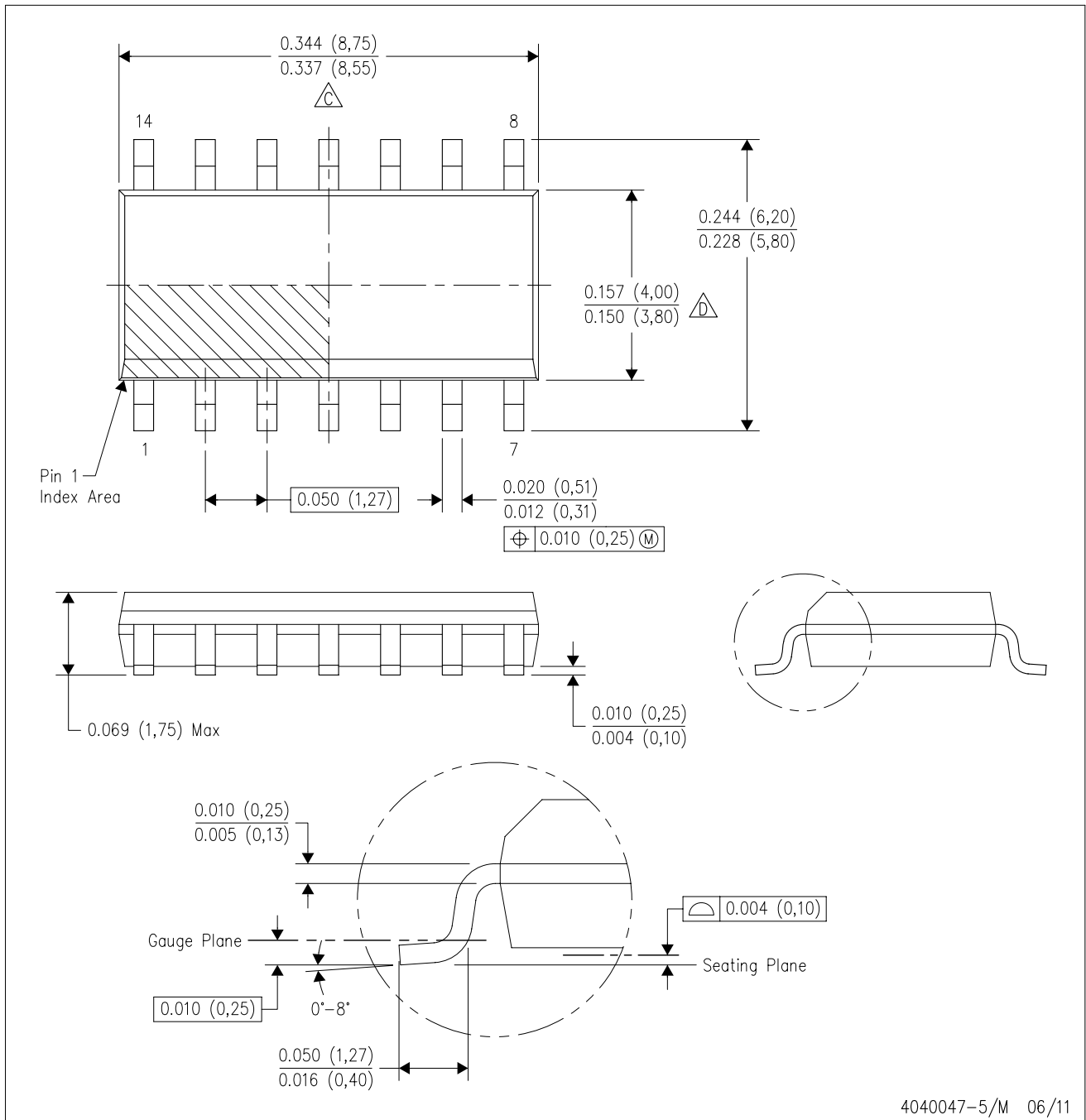
4220310/A 11/2016

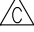

NOTES: (continued)

4. Laser cutting apertures with trapezoidal walls and rounded corners may offer better paste release. IPC-7525 may have alternate design recommendations.

D (R-PDSO-G14)

PLASTIC SMALL OUTLINE



- NOTES:
- A. All linear dimensions are in inches (millimeters).
 - B. This drawing is subject to change without notice.
 -  Body length does not include mold flash, protrusions, or gate burrs. Mold flash, protrusions, or gate burrs shall not exceed 0.006 (0,15) each side.
 -  Body width does not include interlead flash. Interlead flash shall not exceed 0.017 (0,43) each side.
 - E. Reference JEDEC MS-012 variation AB.

D (R-PDSO-G14)

PLASTIC SMALL OUTLINE



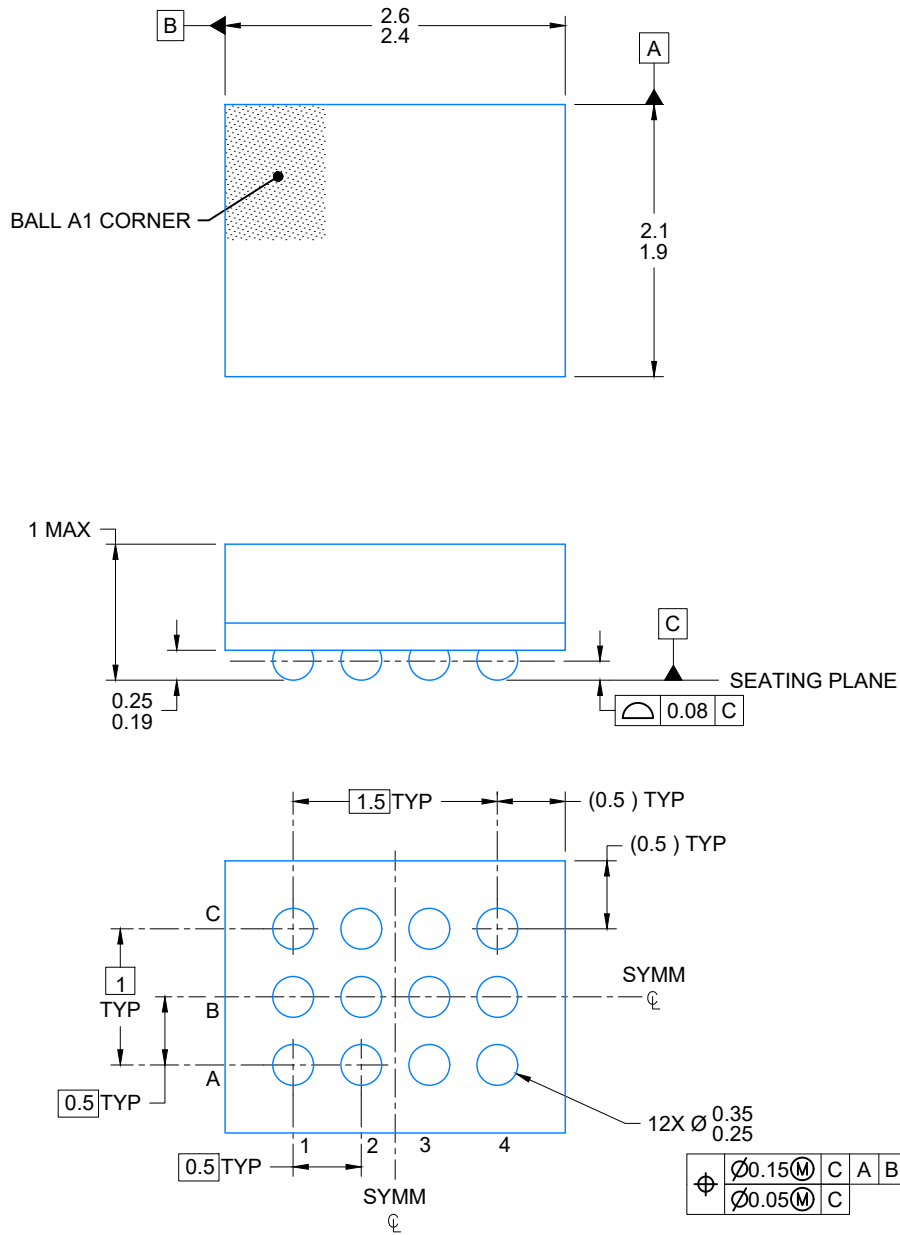
- NOTES:
- A. All linear dimensions are in millimeters.
 - B. This drawing is subject to change without notice.
 - C. Publication IPC-7351 is recommended for alternate designs.
 - D. Laser cutting apertures with trapezoidal walls and also rounding corners will offer better paste release. Customers should contact their board assembly site for stencil design recommendations. Refer to IPC-7525 for other stencil recommendations.
 - E. Customers should contact their board fabrication site for solder mask tolerances between and around signal pads.

PW (R-PDSO-G14)

PLASTIC SMALL OUTLINE



- NOTES:
- A. All linear dimensions are in millimeters. Dimensioning and tolerancing per ASME Y14.5M-1994.
 - B. This drawing is subject to change without notice.
 - C. Body length does not include mold flash, protrusions, or gate burrs. Mold flash, protrusions, or gate burrs shall not exceed 0,15 each side.
 - D. Body width does not include interlead flash. Interlead flash shall not exceed 0,25 each side.
 - E. Falls within JEDEC MO-153



4225768/A 03/2020

NOTES:

NanoFree is a trademark of Texas Instruments.

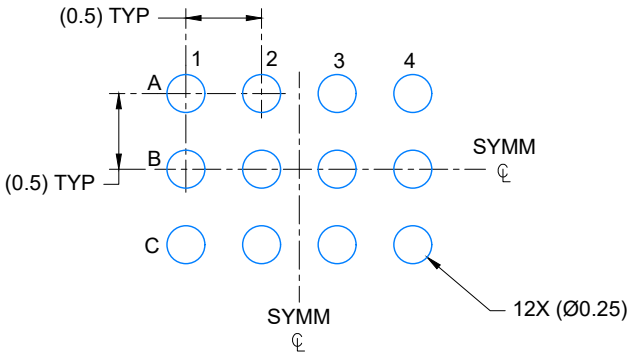
1. All linear dimensions are in millimeters. Any dimensions in parenthesis are for reference only. Dimensioning and tolerancing per ASME Y14.5M.
2. This drawing is subject to change without notice.

EXAMPLE BOARD LAYOUT

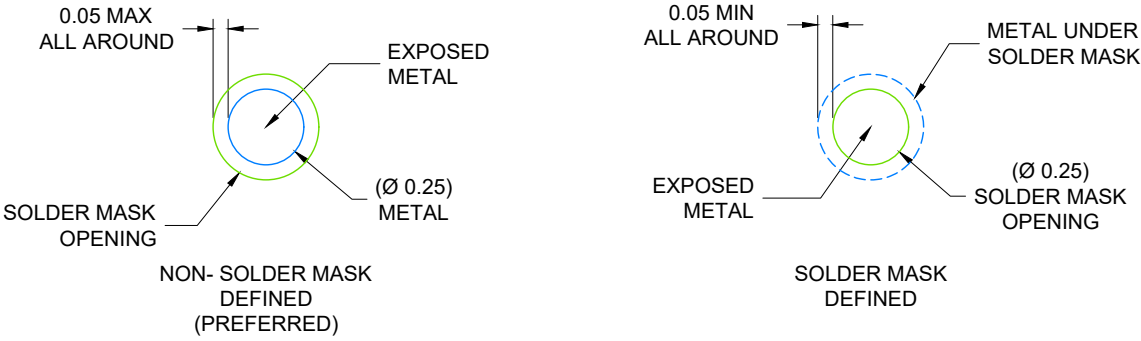
NMN0012A

NFBGA - 1 mm max height

PLASTIC BALL GRID ARRAY



LAND PATTERN EXAMPLE
SCALE: 20X

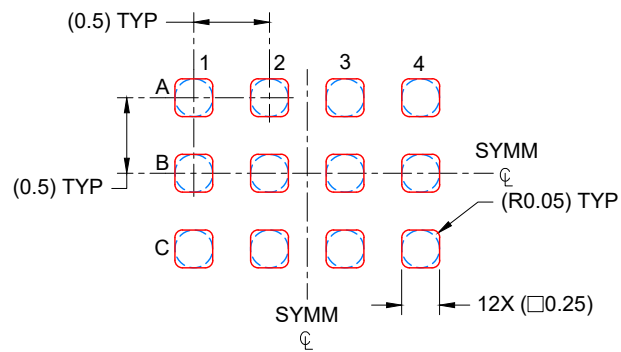


SOLDER MASK DETAILS
NOT TO SCALE

4225768/A 03/2020

NOTES: (continued)

- 3. Final dimensions may vary due to manufacturing tolerance considerations and also routing constraints. Refer to Texas Instruments Literature number SNVA009 (www.ti.com/lit/snva009).



SOLDER PASTE EXAMPLE
 BASED ON 0.100 mm THICK STENCIL
 SCALE: 20X

4225768/A 03/2020

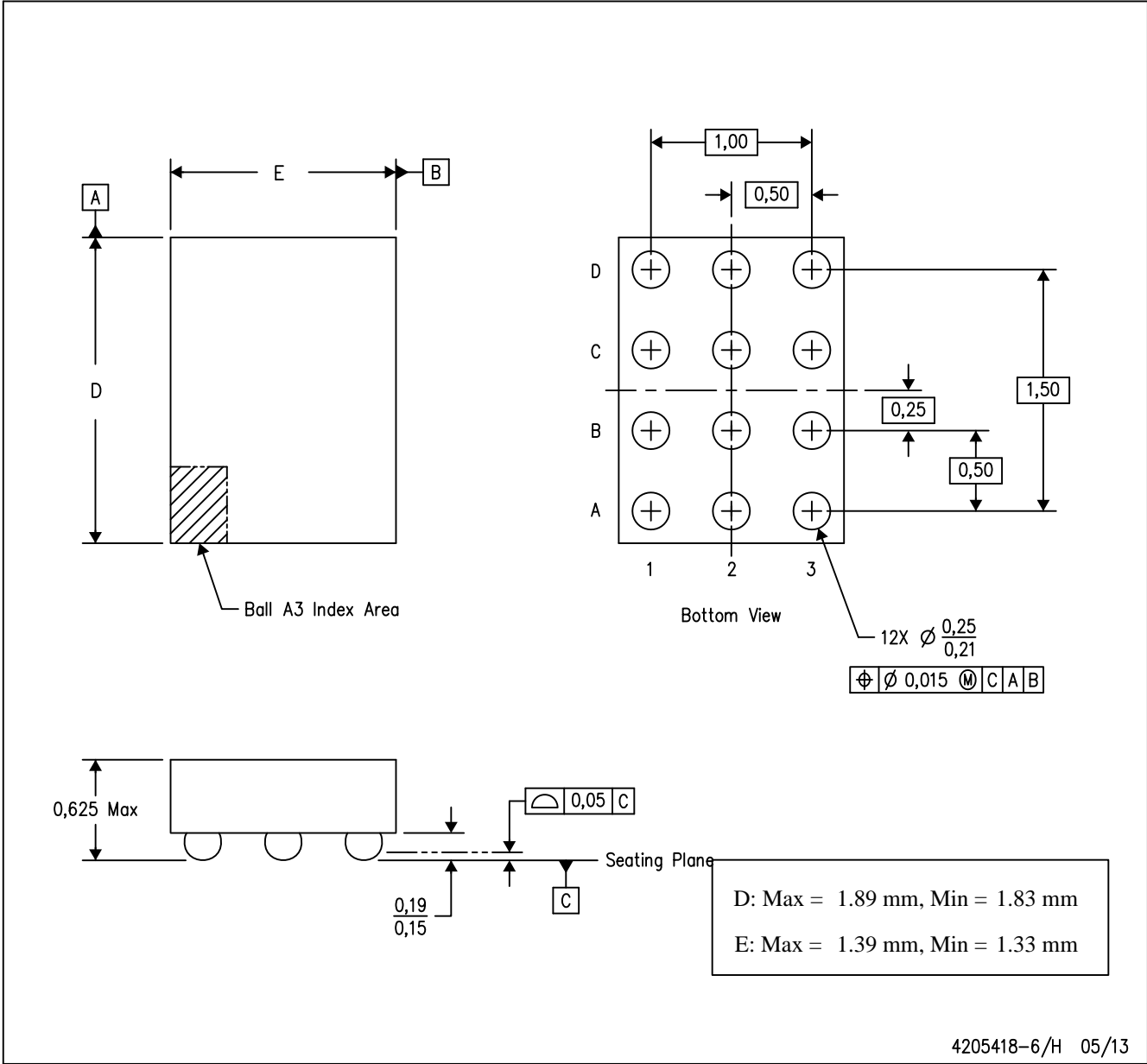
NOTES: (continued)

4. Laser cutting apertures with trapezoidal walls and rounded corners may offer better paste release.

MECHANICAL DATA

YZT (R-XBGA-N12)

(CUSTOM) DIE-SIZE BALL GRID ARRAY



- NOTES:
- A. All linear dimensions are in millimeters. Dimensioning and tolerancing per ASME Y14.5M-1994.
 - B. This drawing is subject to change without notice.
 - C. NanoFree™ package configuration.

NanoFree is a trademark of Texas Instruments.

RGY (S-PVQFN-N14)

PLASTIC QUAD FLATPACK NO-LEAD



- NOTES:
- A. All linear dimensions are in millimeters. Dimensioning and tolerancing per ASME Y14.5M-1994.
 - B. This drawing is subject to change without notice.
 - C. QFN (Quad Flatpack No-Lead) package configuration.
 - D. The package thermal pad must be soldered to the board for thermal and mechanical performance.
 - E. See the additional figure in the Product Data Sheet for details regarding the exposed thermal pad features and dimensions.
 - F. Pin 1 identifiers are located on both top and bottom of the package and within the zone indicated. The Pin 1 identifiers are either a molded, marked, or metal feature.
 - G. Package complies to JEDEC MO-241 variation BA.

RGY (S-PVQFN-N14)

PLASTIC QUAD FLATPACK NO-LEAD

THERMAL INFORMATION

This package incorporates an exposed thermal pad that is designed to be attached directly to an external heatsink. The thermal pad must be soldered directly to the printed circuit board (PCB). After soldering, the PCB can be used as a heatsink. In addition, through the use of thermal vias, the thermal pad can be attached directly to the appropriate copper plane shown in the electrical schematic for the device, or alternatively, can be attached to a special heatsink structure designed into the PCB. This design optimizes the heat transfer from the integrated circuit (IC).

For information on the Quad Flatpack No-Lead (QFN) package and its advantages, refer to Application Report, QFN/SON PCB Attachment, Texas Instruments Literature No. SLUA271. This document is available at www.ti.com.

The exposed thermal pad dimensions for this package are shown in the following illustration.



Bottom View

Exposed Thermal Pad Dimensions

4206353-2/P 03/14

NOTE: All linear dimensions are in millimeters

RGY (S-PVQFN-N14)

PLASTIC QUAD FLATPACK NO-LEAD



- NOTES:
- All linear dimensions are in millimeters.
 - This drawing is subject to change without notice.
 - Publication IPC-7351 is recommended for alternate designs.
 - This package is designed to be soldered to a thermal pad on the board. Refer to Application Note, Quad Flat-Pack QFN/SON PCB Attachment, Texas Instruments Literature No. SLUA271, and also the Product Data Sheets for specific thermal information, via requirements, and recommended board layout. These documents are available at www.ti.com <<http://www.ti.com>>.
 - Laser cutting apertures with trapezoidal walls and also rounding corners will offer better paste release. Customers should contact their board assembly site for stencil design recommendations. Refer to IPC 7525 for stencil design considerations.
 - Customers should contact their board fabrication site for minimum solder mask web tolerances between signal pads.

GENERIC PACKAGE VIEW

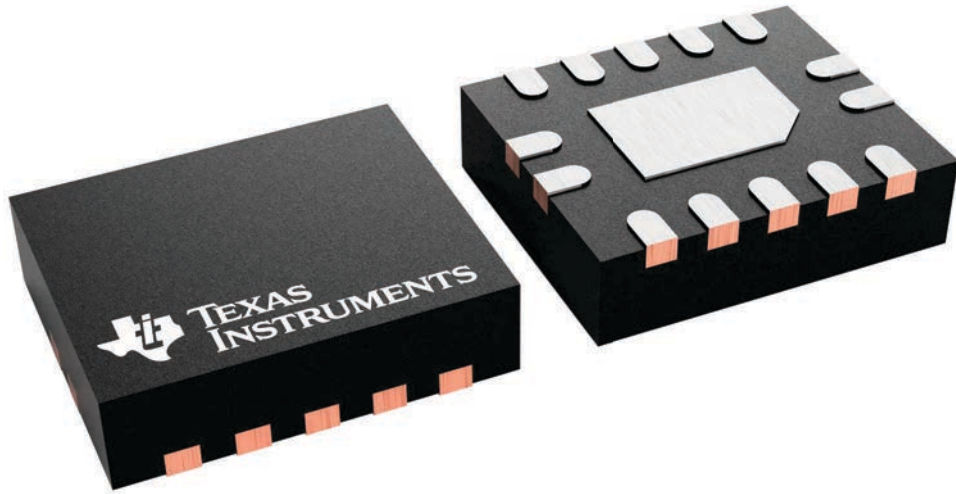
BQA 14

WQFN - 0.8 mm max height

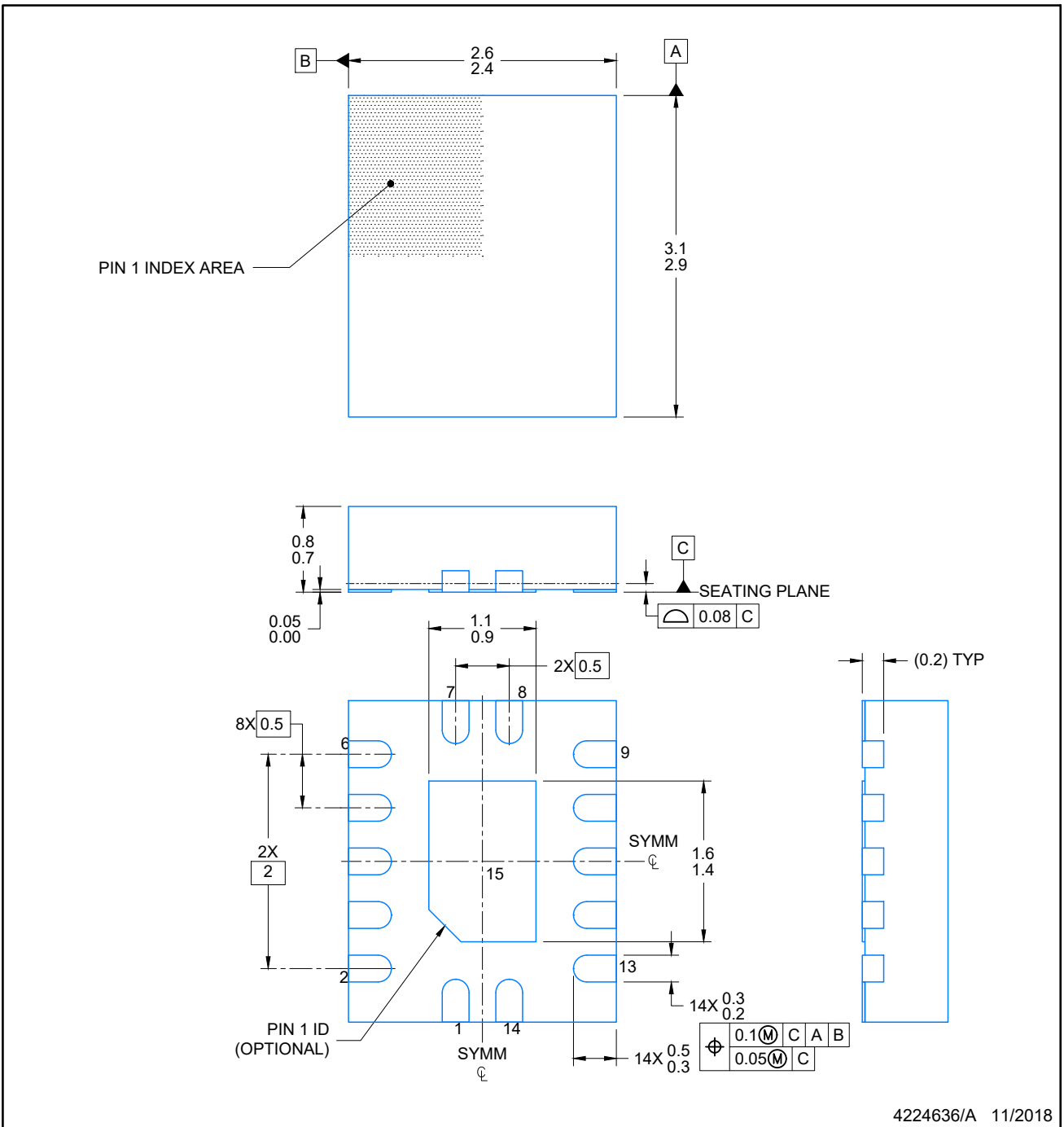
2.5 x 3, 0.5 mm pitch

PLASTIC QUAD FLATPACK - NO LEAD

This image is a representation of the package family, actual package may vary.
Refer to the product data sheet for package details.



4227145/A



4224636/A 11/2018

NOTES:

1. All linear dimensions are in millimeters. Any dimensions in parenthesis are for reference only. Dimensioning and tolerancing per ASME Y14.5M.
2. This drawing is subject to change without notice.
3. The package thermal pad must be soldered to the printed circuit board for optimal thermal and mechanical performance.

EXAMPLE BOARD LAYOUT

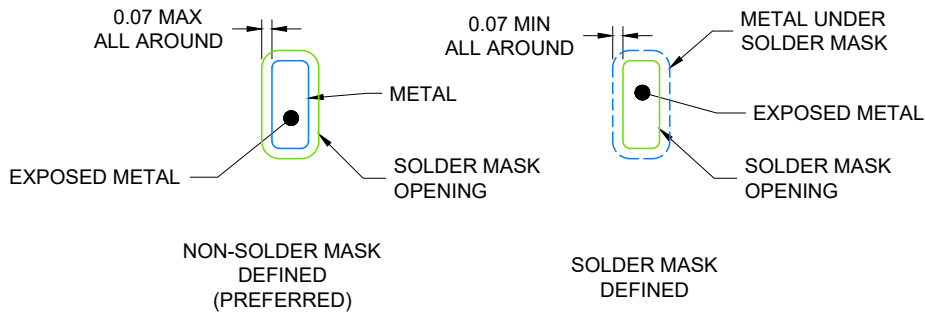
WQFN - 0.8 mm max height

BQA0014A

PLASTIC QUAD FLAT PACK-NO LEAD



LAND PATTERN EXAMPLE
EXPOSED METAL SHOWN
SCALE: 20X



4224636/A 11/2018

NOTES: (continued)

4. This package is designed to be soldered to a thermal pad on the board. For more information, see Texas Instruments literature number SLUA271 (www.ti.com/lit/slua271).
5. Vias are optional depending on application, refer to device data sheet. If any vias are implemented, refer to their locations shown on this view. It is recommended that vias under paste be filled, plugged or tented.

EXAMPLE STENCIL DESIGN

BQA0014A

WQFN - 0.8 mm max height

PLASTIC QUAD FLAT PACK-NO LEAD



SOLDER PASTE EXAMPLE
 BASED ON 0.125 mm THICK STENCIL

EXPOSED PAD
 88% PRINTED COVERAGE BY AREA
 SCALE: 20X

4224636/A 11/2018

NOTES: (continued)

- 6. Laser cutting apertures with trapezoidal walls and rounded corners may offer better paste release. IPC-7525 may have alternate design recommendations.

IMPORTANT NOTICE AND DISCLAIMER

TI PROVIDES TECHNICAL AND RELIABILITY DATA (INCLUDING DATA SHEETS), DESIGN RESOURCES (INCLUDING REFERENCE DESIGNS), APPLICATION OR OTHER DESIGN ADVICE, WEB TOOLS, SAFETY INFORMATION, AND OTHER RESOURCES "AS IS" AND WITH ALL FAULTS, AND DISCLAIMS ALL WARRANTIES, EXPRESS AND IMPLIED, INCLUDING WITHOUT LIMITATION ANY IMPLIED WARRANTIES OF MERCHANTABILITY, FITNESS FOR A PARTICULAR PURPOSE OR NON-INFRINGEMENT OF THIRD PARTY INTELLECTUAL PROPERTY RIGHTS.

These resources are intended for skilled developers designing with TI products. You are solely responsible for (1) selecting the appropriate TI products for your application, (2) designing, validating and testing your application, and (3) ensuring your application meets applicable standards, and any other safety, security, regulatory or other requirements.

These resources are subject to change without notice. TI grants you permission to use these resources only for development of an application that uses the TI products described in the resource. Other reproduction and display of these resources is prohibited. No license is granted to any other TI intellectual property right or to any third party intellectual property right. TI disclaims responsibility for, and you will fully indemnify TI and its representatives against, any claims, damages, costs, losses, and liabilities arising out of your use of these resources.

TI's products are provided subject to [TI's Terms of Sale](#) or other applicable terms available either on [ti.com](https://www.ti.com) or provided in conjunction with such TI products. TI's provision of these resources does not expand or otherwise alter TI's applicable warranties or warranty disclaimers for TI products.

TI objects to and rejects any additional or different terms you may have proposed.

Mailing Address: Texas Instruments, Post Office Box 655303, Dallas, Texas 75265
Copyright © 2024, Texas Instruments Incorporated