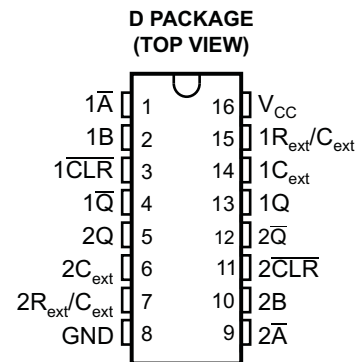


FEATURES

- **Controlled Baseline**
 - One Assembly Site
 - One Test Site
 - One Fabrication Site
- **Extended Temperature Performance of –55°C to 125°C**
- **Enhanced Diminishing Manufacturing Sources (DMS) Support**
- **Enhanced Product-Change Notification**
- **Qualification Pedigree ⁽¹⁾**
- **Operating Range 2-V to 5.5-V V_{CC}**
- **Schmitt-Trigger Circuitry On \overline{A} , B, and \overline{CLR} Inputs for Slow Input Transition Rates**
- **Edge Triggered From Active-High or Active-Low Gated Logic Inputs**
- **Retriggerable for Long Output Pulses**
- **Overriding Clear Terminates Output Pulse**
- **Glitch-Free Power-Up Reset On Outputs**
- **Latch-Up Performance Exceeds 100 mA Per JESD 78, Class II**
- **ESD Protection Exceeds JESD 22**
 - 2000-V Human-Body Model (A114-A)
 - 200-V Machine Model (A115-A)
 - 1000-V Charged-Device Model (C101)

- (1) Component qualification in accordance with JEDEC and industry standards to ensure reliable operation over an extended temperature range. This includes, but is not limited to, Highly Accelerated Stress Test (HAST) or biased 85/85, temperature cycle, autoclave or unbiased HAST, electromigration, bond intermetallic life, and mold compound life. Such qualification testing should not be viewed as justifying use of this component beyond specified performance and environmental limits.



DESCRIPTION/ORDERING INFORMATION

The SN74AHC123A device is a dual retriggerable monostable multivibrator designed for 2-V to 5.5-V V_{CC} operation.

This edge-triggered multivibrator features output pulse-duration control by three methods. In the first method, the \overline{A} input is low, and the B input goes high. In the second method, the B input is high, and the \overline{A} input goes low. In the third method, the \overline{A} input is low, the B input is high, and the clear (\overline{CLR}) input goes high.

The output pulse duration is programmed by selecting external resistance and capacitance values. The external timing capacitor must be connected between C_{ext} and R_{ext}/C_{ext} (positive) and an external resistor connected between R_{ext}/C_{ext} and V_{CC} . To obtain variable pulse durations, connect an external variable resistance between R_{ext}/C_{ext} and V_{CC} . The output pulse duration can be reduced by taking \overline{CLR} low.

Pulse triggering occurs at a particular voltage level and is not directly related to the transition time of the input pulse. The \overline{A} , B, and \overline{CLR} inputs have Schmitt triggers with sufficient hysteresis to handle slow input transition rates with jitter-free triggering at the outputs.

Once triggered, the basic pulse duration can be extended by retriggering the gated low-level-active (\overline{A}) or high-level-active (B) input. Pulse duration can be reduced by taking \overline{CLR} low. \overline{CLR} can be used to override \overline{A} or B inputs. The input/output timing diagram illustrates pulse control by retriggering the inputs and early clearing.

The variance in output pulse duration from device to device is less than $\pm 0.5\%$ (typ) for given external timing components. An example of this distribution for the SN74AHC123A is shown in Figure 10. Variations in output pulse duration versus supply voltage and temperature are shown in Figure 6.



Please be aware that an important notice concerning availability, standard warranty, and use in critical applications of Texas Instruments semiconductor products and disclaimers thereto appears at the end of this data sheet.

SN74AHC123A-EP DUAL RETRIGGERABLE MONOSTABLE MULTIVIBRATOR

SCLS703A—JULY 2006—REVISED MARCH 2007

DESCRIPTION/ORDERING INFORMATION (CONTINUED)

During power up, Q outputs are in the low state and \bar{Q} outputs are in the high state. The outputs are glitch free, without applying a reset pulse.

For additional application information on multivibrators, see the application report *Designing With the SN74AHC123A and SN74AHCT123A*, literature number SCLA014.

ORDERING INFORMATION⁽¹⁾

T _A	PACKAGE ⁽²⁾		ORDERABLE PART NUMBER	TOP-SIDE MARKING
-55°C to 125°C	SOIC – D	Tape and reel	SN74AHC123AMDREP	AHC123A-EP

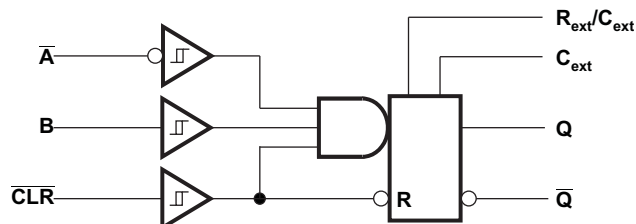
- (1) For the most current package and ordering information, see the Package Option Addendum at the end of this document, or see the TI Web site at www.ti.com.
- (2) Package drawings, standard packing quantities, thermal data, symbolization, and PCB design guidelines are available at www.ti.com/sc/package.

FUNCTION TABLE (each multivibrator)

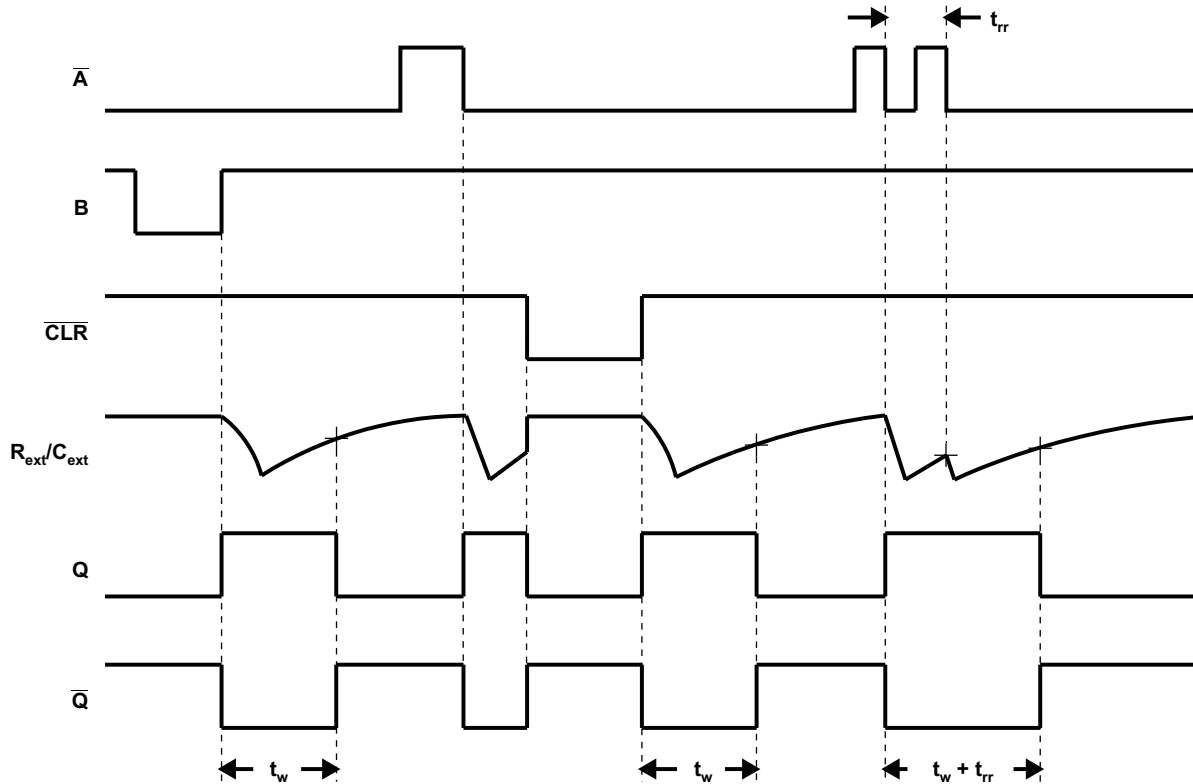
INPUTS			OUTPUTS	
CLR	\bar{A}	B	Q	\bar{Q}
L	X	X	L	H
X	H	X	L ⁽¹⁾	H ⁽¹⁾
X	X	L	L ⁽¹⁾	H ⁽¹⁾
H	L	↑	⌋	⌋
H	↓	H	⌋	⌋
↑	L	H	⌋	⌋

- (1) These outputs are based on the assumption that the indicated steady-state conditions at the \bar{A} and B inputs have been set up long enough to complete any pulse started before the setup.

LOGIC DIAGRAM, EACH MULTIVIBRATOR (POSITIVE LOGIC)



INPUT/OUTPUT TIMING DIAGRAM



Absolute Maximum Ratings⁽¹⁾

over operating free-air temperature range (unless otherwise noted)

		MIN	MAX	UNIT	
V_{CC}	Supply voltage range ⁽²⁾	-0.5	7	V	
V_I	Input voltage range ⁽³⁾	-0.5	7	V	
V_O	Output voltage range in high or low state ⁽²⁾	-0.5	$V_{CC} + 0.5$	V	
V_O	Output voltage range in power-off state ⁽²⁾	-0.5	7	V	
I_{IK}	Input clamp current	$V_I < 0\text{ V}$		-20	mA
I_{OK}	Output clamp current	$V_O < 0\text{ V}$ or $V_O < V_{CC}$		± 20	mA
I_O	Continuous output current	$V_O = 0\text{ V}$ to V_{CC}		± 25	mA
	Continuous current through V_{CC} or GND		± 50	mA	
θ_{JA}	Package thermal impedance ⁽⁴⁾		73	$^{\circ}\text{C}/\text{W}$	
T_{stg}	Storage temperature range	-65	150	$^{\circ}\text{C}$	

- (1) Stresses beyond those listed under "absolute maximum ratings" may cause permanent damage to the device. These are stress ratings only, and functional operation of the device at these or any other conditions beyond those indicated under "recommended operating conditions" is not implied. Exposure to absolute-maximum-rated conditions for extended periods may affect device reliability.
- (2) Voltage values are with respect to the network ground terminal.
- (3) The input and output voltage ratings may be exceeded if the input and output current ratings are observed.
- (4) The package thermal impedance is calculated in accordance with JESD 51-7.

SN74AHC123A-EP DUAL RETRIGGERABLE MONOSTABLE MULTIVIBRATOR

SCLS703A–JULY 2006–REVISED MARCH 2007

Recommended Operating Conditions⁽¹⁾

		MIN	MAX	UNIT
V _{CC}	Supply voltage	2	5.5	V
V _{IH}	High-level input voltage	V _{CC} = 2 V	1.5	V
		V _{CC} = 3 V	2.1	
		V _{CC} = 5.5 V	3.85	
V _{IL}	Low-level input voltage	V _{CC} = 2 V	0.5	V
		V _{CC} = 3 V	0.9	
		V _{CC} = 5.5 V	1.65	
V _I	Input voltage	0	5.5	V
V _O	Output voltage	0	V _{CC}	V
I _{OH}	High-level output current	V _{CC} = 2 V	–50	μA
		V _{CC} = 3.3 V ± 0.3 V	–4	mA
		V _{CC} = 5 V ± 0.5 V	–8	
I _{OL}	Low-level output current	V _{CC} = 2 V	50	μA
		V _{CC} = 3.3 V ± 0.3 V	4	mA
		V _{CC} = 5 V ± 0.5 V	8	
R _{ext}	External timing resistance	V _{CC} = 2 V	5	kΩ
		V _{CC} > 3 V	1	
Δt/ΔV _{CC}	Power-up ramp rate	1		ms/V
T _A	Operating free-air temperature	–55	125	°C

(1) Unused R_{ext}/C_{ext} terminals should be left unconnected. All remaining unused inputs of the device must be held at V_{CC} or GND to ensure proper device operation. See the TI application report, *Implications of Slow or Floating CMOS Inputs*, literature number SCBA004.

Electrical Characteristics

over operating free-air temperature range (unless otherwise noted)

PARAMETER	TEST CONDITIONS	V _{CC}	T _A = 25°C			MIN	MAX	UNIT
			MIN	TYP	MAX			
V _{OH}	I _{OH} = –50 μA	2 V	1.9	2	1.9	V		
		3 V	2.9	3	2.9			
		4.5 V	4.4	4.5	4.4			
	I _{OH} = –4 mA	3 V	2.58		2.48			
	I _{OH} = –8 mA	4.5 V	3.94		3.8			
V _{OL}	I _{OL} = 50 μA	2 V			0.1	0.1	V	
		3 V			0.1	0.1		
		4.5 V			0.1	0.1		
	I _{OL} = 4 mA	3 V			0.36	0.44		
	I _{OL} = 8 mA	4.5 V			0.36	0.44		
I _I	R _{ext} /C _{ext} ⁽¹⁾	V _I = V _{CC} or GND	5.5 V		±0.25	±2.5	μA	
	\overline{A} , B, and \overline{CLR}	V _I = V _{CC} or GND	0 V to 5.5 V		±0.1	±1 ⁽²⁾		
I _{CC}	Quiescent	V _I = V _{CC} or GND, I _O = 0	5.5 V		4	40	μA	
I _{CC}	Active state (per circuit)	V _I = V _{CC} or GND, R _{ext} /C _{ext} = 0.5 V _{CC}	3 V	160	250	280	μA	
		4.5 V	280	500	650			
		5.5 V	360	750	975			
C _i		V _I = V _{CC} or GND	5 V	1.9	10	10	pF	

(1) This test is performed with the terminal in the off-state condition.

(2) On products compliant to MIL-PRF-38535, this parameter is not production tested at V_{CC} = 0 V.

Timing Requirements

over recommended operating free-air temperature range, $V_{CC} = 3.3 \text{ V} \pm 0.3 \text{ V}$ (unless otherwise noted) (see Figure 1)

PARAMETER		TEST CONDITIONS	$T_A = 25^\circ\text{C}$			MIN	MAX	UNIT
			MIN	TYP	MAX			
t_w	Pulse duration	$\overline{\text{CLR}}$	5			5	ns	
		$\overline{\text{A}}$ or B trigger	5			5		
t_{rr}	Pulse retrigger time	$R_{ext} = 1 \text{ k}\Omega$, $C_{ext} = 100 \text{ pF}$	(1)	76	(1)	ns		
		$R_{ext} = 1 \text{ k}\Omega$, $C_{ext} = 0.01 \text{ }\mu\text{F}$	(1)	1.8	(1)	μs		

(1) See retriggering data in the application information section.

Timing Requirements

over recommended operating free-air temperature range, $V_{CC} = 5 \text{ V} \pm 0.5 \text{ V}$ (unless otherwise noted) (see Figure 1)

PARAMETER		TEST CONDITIONS	$T_A = 25^\circ\text{C}$			MIN	MAX	UNIT
			MIN	TYP	MAX			
t_w	Pulse duration	$\overline{\text{CLR}}$	5			5	ns	
		$\overline{\text{A}}$ or B trigger	5			5		
t_{rr}	Pulse retrigger time	$R_{ext} = 1 \text{ k}\Omega$, $C_{ext} = 100 \text{ pF}$	(1)	59	(1)	ns		
		$R_{ext} = 1 \text{ k}\Omega$, $C_{ext} = 0.01 \text{ }\mu\text{F}$	(1)	1.5	(1)	μs		

(1) See retriggering data in the application information section.

Switching Characteristics

over recommended operating free-air temperature range, $V_{CC} = 3.3 \text{ V} \pm 0.3 \text{ V}$ (unless otherwise noted) (see Figure 1)

PARAMETER	FROM (INPUT)	TO (OUTPUT)	TEST CONDITIONS	$T_A = 25^\circ\text{C}$			MIN	MAX	UNIT
				MIN	TYP	MAX			
t_{PLH}	$\overline{\text{A}}$ or B	Q or $\overline{\text{Q}}$	$C_L = 15 \text{ pF}$	9.5 ⁽¹⁾	20.6 ⁽¹⁾	1 ⁽¹⁾	24 ⁽¹⁾	ns	
t_{PHL}				10.2 ⁽¹⁾	20.6 ⁽¹⁾	1 ⁽¹⁾	24 ⁽¹⁾		
t_{PLH}	$\overline{\text{CLR}}$	Q or $\overline{\text{Q}}$	$C_L = 15 \text{ pF}$	7.5 ⁽¹⁾	15.8 ⁽¹⁾	1 ⁽¹⁾	18.5 ⁽¹⁾	ns	
t_{PHL}				9.3 ⁽¹⁾	15.8 ⁽¹⁾	1 ⁽¹⁾	18.5 ⁽¹⁾		
t_{PLH}	$\overline{\text{CLR}}$ trigger	Q or $\overline{\text{Q}}$	$C_L = 15 \text{ pF}$	10 ⁽¹⁾	22.4 ⁽¹⁾	1 ⁽¹⁾	26 ⁽¹⁾	ns	
t_{PHL}				10.6 ⁽¹⁾	22.4 ⁽¹⁾	1 ⁽¹⁾	26 ⁽¹⁾		
t_{PLH}	$\overline{\text{A}}$ or B	Q or $\overline{\text{Q}}$	$C_L = 50 \text{ pF}$	10.5	24.1	1	27.5	ns	
t_{PHL}				11.8	24.1	1	27.5		
t_{PLH}	$\overline{\text{CLR}}$	Q or $\overline{\text{Q}}$	$C_L = 50 \text{ pF}$	8.9	19.3	1	22	ns	
t_{PHL}				10.5	19.3	1	22		
t_{PLH}	$\overline{\text{CLR}}$ trigger	Q or $\overline{\text{Q}}$	$C_L = 50 \text{ pF}$	11	25.9	1	29.5	ns	
t_{PHL}				12.3	25.9	1	29.5		
$t_w^{(2)}$		Q or $\overline{\text{Q}}$	$C_L = 50 \text{ pF}$, $C_{ext} = 28 \text{ }\mu\text{F}$, $R_{ext} = 2 \text{ k}\Omega$	182	240		300	ns	
			$C_L = 50 \text{ pF}$, $C_{ext} = 0.01 \text{ }\mu\text{F}$, $R_{ext} = 10 \text{ k}\Omega$	90	100	110	90	110	μs
			$C_L = 50 \text{ pF}$, $C_{ext} = 0.1 \text{ }\mu\text{F}$, $R_{ext} = 10 \text{ k}\Omega$	0.9	1	1.1	0.9	1.1	ms
$\Delta t_w^{(3)}$				$\pm 1\%$					

(1) On products compliant to MIL-PRF-38535, this parameter is not production tested.

(2) t_w = Pulse duration at Q and $\overline{\text{Q}}$ outputs

(3) Δt_w = Output pulse-duration variation (Q and $\overline{\text{Q}}$) between circuits in same package

SN74AHC123A-EP DUAL RETRIGGERABLE MONOSTABLE MULTIVIBRATOR

SCLS703A–JULY 2006–REVISED MARCH 2007

Switching Characteristics

over recommended operating free-air temperature range, $V_{CC} = 5\text{ V} \pm 0.5\text{ V}$ (unless otherwise noted) (see [Figure 1](#))

PARAMETER	FROM (INPUT)	TO (OUTPUT)	TEST CONDITIONS	$T_A = 25^\circ\text{C}$			MIN	MAX	UNIT
				MIN	TYP	MAX			
t_{PLH}	\bar{A} or B	Q or \bar{Q}	$C_L = 15\text{ pF}$	6.5 ⁽¹⁾	12 ⁽¹⁾	1 ⁽¹⁾	14 ⁽¹⁾	ns	
t_{PHL}				7.1 ⁽¹⁾	12 ⁽¹⁾	1 ⁽¹⁾	14 ⁽¹⁾		
t_{PLH}	\bar{CLR}	Q or \bar{Q}	$C_L = 15\text{ pF}$	5.3 ⁽¹⁾	9.4 ⁽¹⁾	1 ⁽¹⁾	11 ⁽¹⁾	ns	
t_{PHL}				6.5 ⁽¹⁾	9.4 ⁽¹⁾	1 ⁽¹⁾	11 ⁽¹⁾		
t_{PLH}	\bar{CLR} trigger	Q or \bar{Q}	$C_L = 15\text{ pF}$	6.9 ⁽¹⁾	12.9 ⁽¹⁾	1 ⁽¹⁾	15 ⁽¹⁾	ns	
t_{PHL}				7.4 ⁽¹⁾	12.9 ⁽¹⁾	1 ⁽¹⁾	15 ⁽¹⁾		
t_{PLH}	\bar{A} or B	Q or \bar{Q}	$C_L = 50\text{ pF}$	7.3	14	1	16	ns	
t_{PHL}				8.3	14	1	16		
t_{PLH}	\bar{CLR}	Q or \bar{Q}	$C_L = 50\text{ pF}$	6.3	11.4	1	13	ns	
t_{PHL}				7.4	11.4	1	13		
t_{PLH}	\bar{CLR} trigger	Q or \bar{Q}	$C_L = 50\text{ pF}$	7.6	14.9	1	17	ns	
t_{PHL}				8.7	14.9	1	17		
$t_w^{(2)}$		Q or \bar{Q}	$C_L = 50\text{ pF}$, $C_{ext} = 28\text{ }\mu\text{F}$, $R_{ext} = 2\text{ k}\Omega$	167	200		240	ns	
			$C_L = 50\text{ pF}$, $C_{ext} = 0.01\text{ }\mu\text{F}$, $R_{ext} = 10\text{ k}\Omega$	90	100	110	90	110	μs
			$C_L = 50\text{ pF}$, $C_{ext} = 0.1\text{ }\mu\text{F}$, $R_{ext} = 10\text{ k}\Omega$	0.9	1	1.1	0.9	1.1	ms
$\Delta t_w^{(3)}$				$\pm 1\%$					

(1) On products compliant to MIL-PRF-38535, this parameter is not production tested.

(2) t_w = Pulse duration at Q and \bar{Q} outputs

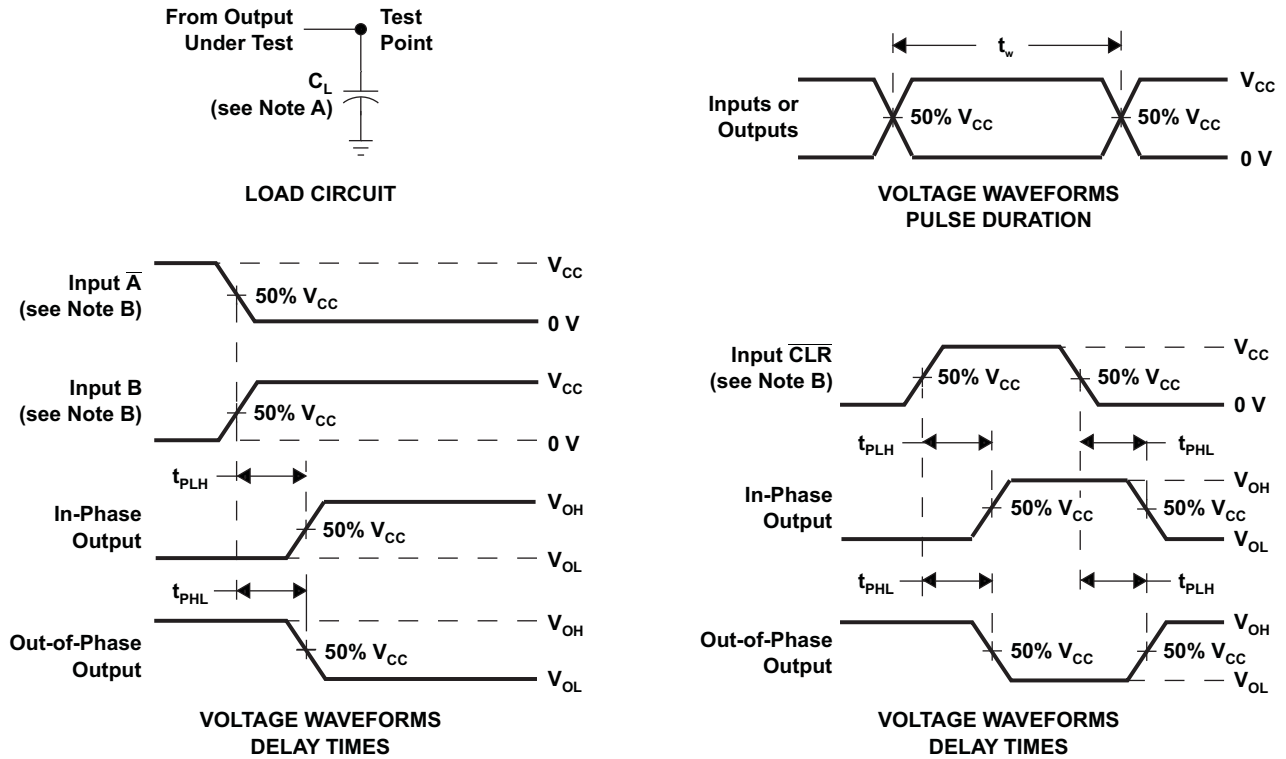
(3) Δt_w = Output pulse-duration variation (Q and \bar{Q}) between circuits in same package

Operating Characteristics

$V_{CC} = 5\text{ V}$, $T_A = 25^\circ\text{C}$

PARAMETER	TEST CONDITIONS	TYP	UNIT
C_{pd} Power dissipation capacitance	No load	29	pF

PARAMETER MEASUREMENT INFORMATION



- NOTES: A. C_L includes probe and jig capacitance.
 B. All input pulses are supplied by generators having the following characteristics: $Z_O = 50 \Omega$, $t_r = 3 \text{ ns}$, $t_f = 3 \text{ ns}$.
 C. The outputs are measured one at a time, with one input transition per measurement.

Figure 1. Load Circuit and Voltage Waveforms

APPLICATION INFORMATION

Caution in Use

To prevent malfunctions due to noise, connect a high-frequency capacitor between V_{CC} and GND, and keep the wiring between the external components and C_{ext} and R_{ext}/C_{ext} terminals as short as possible.

Powerdown Considerations

Large values of C_{ext} can cause problems when powering down the SN74AHC123A devices because of the amount of energy stored in the capacitor. When a system containing this device is powered down, the capacitor can discharge from V_{CC} through the protection diodes at pin 2 or pin 14. Current through the input protection diodes must be limited to 30 mA; therefore, the turn-off time of the V_{CC} power supply must not be faster than $t = V_{CC} \times C_{ext} / 30 \text{ mA}$. For example, if $V_{CC} = 5 \text{ V}$ and $C_{ext} = 15 \text{ pF}$, the V_{CC} supply must turn off no faster than $t = (5 \text{ V}) \times (15 \text{ pF}) / 30 \text{ mA} = 2.5 \text{ ns}$. Usually, this is not a problem because power supplies are heavily filtered and cannot discharge at this rate. When a more rapid decrease of V_{CC} to zero occurs, the SN74AHC123A can sustain damage. To avoid this possibility, use external clamping diodes.

Output Pulse Duration

The output pulse duration (t_w) is determined primarily by the values of the external capacitance (C_T) and timing resistance (R_T). The timing components are connected as shown in [Figure 2](#).

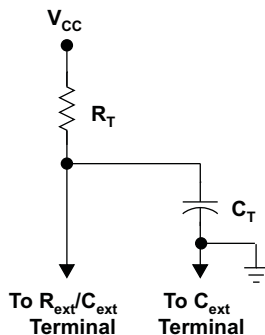


Figure 2. Timing-Component Connections

The pulse duration is given by:

$$t_w = K \times R_T \times C_T \tag{1}$$

if C_T is $\geq 1000 \text{ pF}$, $K = 1$ or

if C_T is $< 1000 \text{ pF}$, K can be determined from [Figure 9](#)

where:

t_w = pulse duration in ns

R_T = external timing resistance in $k\Omega$

C_T = external capacitance in pF

K = multiplier factor

[Equation 1](#) and [Figure 3](#) can be used to determine values for pulse duration, external resistance, and external capacitance.

APPLICATION INFORMATION (continued)

Retriggering Data

NOTE: Operation of the device at these or any other conditions beyond those indicated under "recommended operating conditions" is not implied.

The minimum input retriggering time (t_{MIR}) is the minimum time required after the initial signal before retriggering the input. After t_{MIR} , the device retriggers the output. Experimentally, it also can be shown that to retrigger the output pulse, the two adjacent input signals should be t_{MIR} apart, where $t_{MIR} = 0.3 \times t_w$. The retrigger pulse duration is calculated as shown in Figure 3.

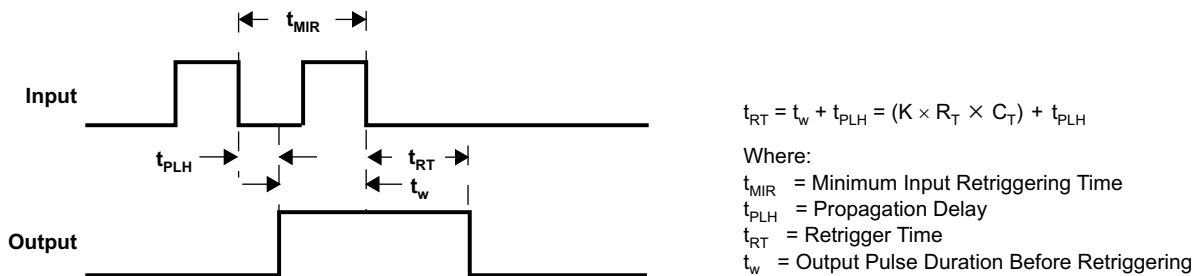


Figure 3. Retrigger Pulse Duration

The minimum value from the end of the input pulse to the beginning of the retriggered output should be approximately 15 ns to ensure a retriggered output (see Figure 4).

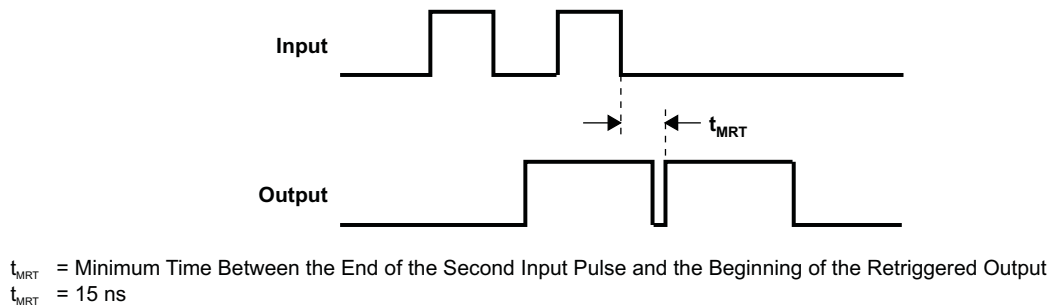


Figure 4. Input/Output Requirements

APPLICATION INFORMATION (continued)

NOTE: Operation of the device at these or any other conditions beyond those indicated under "recommended operating conditions" is not implied.

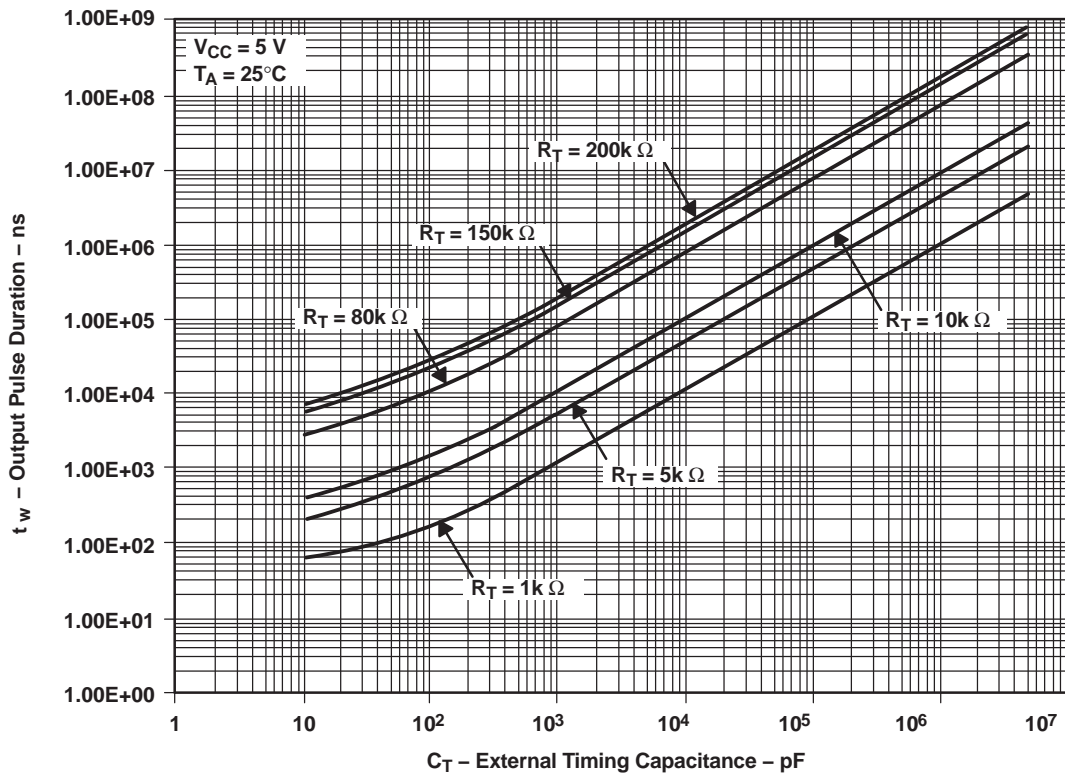


Figure 5. Output Pulse Duration vs External Timing Capacitance

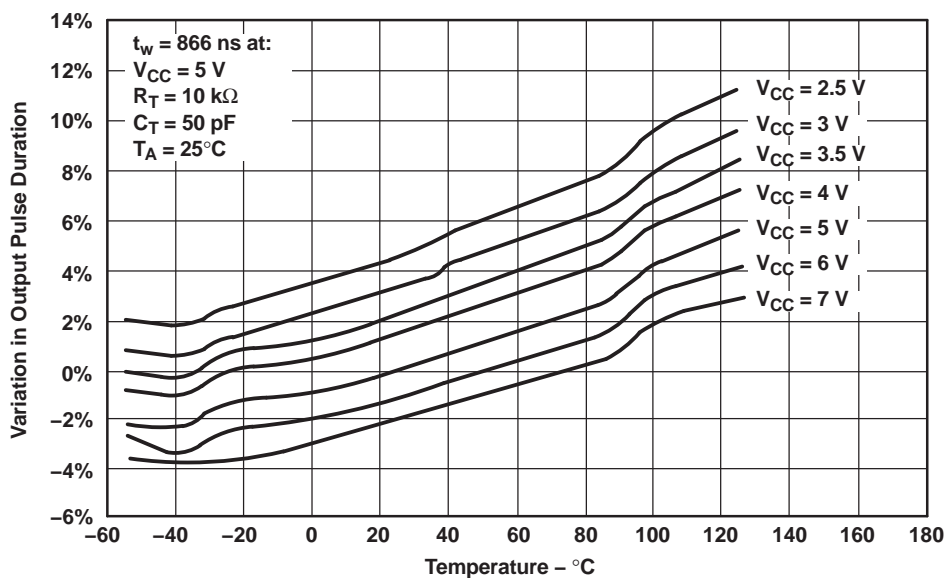


Figure 6. Variations in Output Pulse Duration vs Temperature

APPLICATION INFORMATION (continued)

NOTE: Operation of the device at these or any other conditions beyond those indicated under "recommended operating conditions" is not implied.

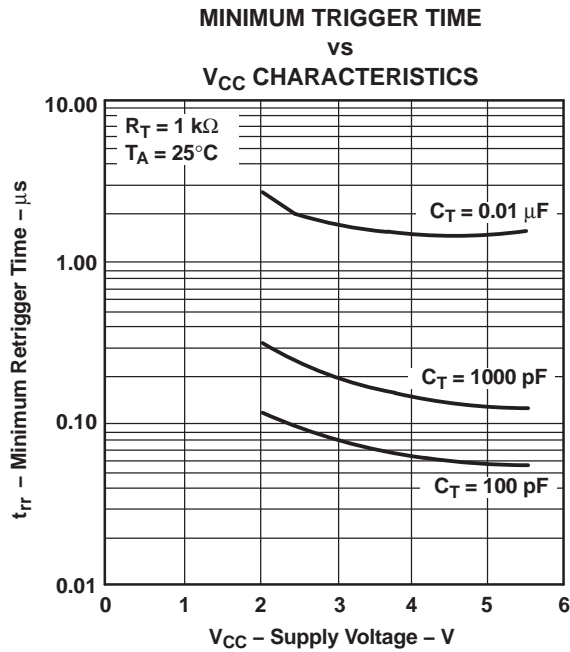


Figure 7.

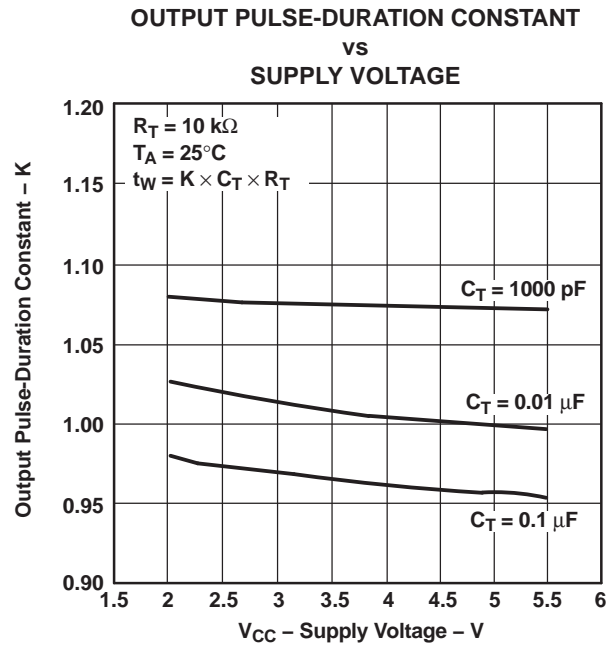


Figure 8.

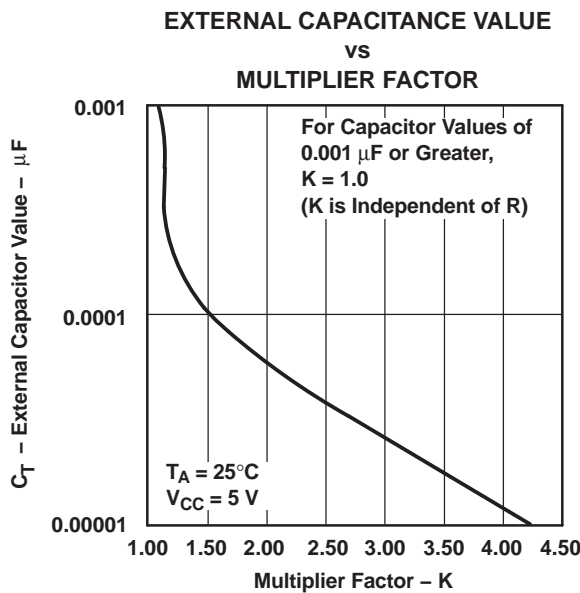


Figure 9.

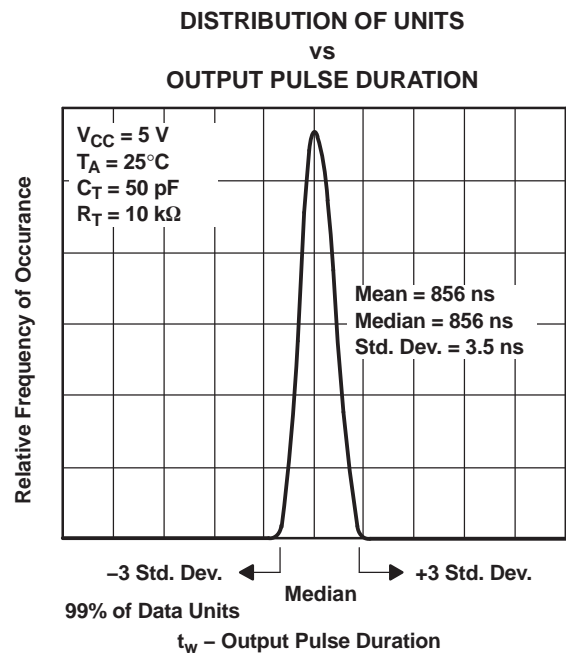


Figure 10.

PACKAGING INFORMATION

Orderable Device	Status (1)	Package Type	Package Drawing	Pins	Package Qty	Eco Plan (2)	Lead finish/ Ball material (6)	MSL Peak Temp (3)	Op Temp (°C)	Device Marking (4/5)	Samples
SN74AHC123AMDREP	ACTIVE	SOIC	D	16	2500	RoHS & Green	NIPDAU	Level-1-260C-UNLIM	-55 to 125	AHC123AEP	Samples
SN74AHC123AMDREPG4	ACTIVE	SOIC	D	16	2500	RoHS & Green	NIPDAU	Level-1-260C-UNLIM	-55 to 125	AHC123AEP	Samples
V62/06665-01XE	ACTIVE	SOIC	D	16	2500	RoHS & Green	NIPDAU	Level-1-260C-UNLIM	-55 to 125	AHC123AEP	Samples

(1) The marketing status values are defined as follows:

ACTIVE: Product device recommended for new designs.

LIFEBUY: TI has announced that the device will be discontinued, and a lifetime-buy period is in effect.

NRND: Not recommended for new designs. Device is in production to support existing customers, but TI does not recommend using this part in a new design.

PREVIEW: Device has been announced but is not in production. Samples may or may not be available.

OBSOLETE: TI has discontinued the production of the device.

(2) **RoHS:** TI defines "RoHS" to mean semiconductor products that are compliant with the current EU RoHS requirements for all 10 RoHS substances, including the requirement that RoHS substance do not exceed 0.1% by weight in homogeneous materials. Where designed to be soldered at high temperatures, "RoHS" products are suitable for use in specified lead-free processes. TI may reference these types of products as "Pb-Free".

RoHS Exempt: TI defines "RoHS Exempt" to mean products that contain lead but are compliant with EU RoHS pursuant to a specific EU RoHS exemption.

Green: TI defines "Green" to mean the content of Chlorine (Cl) and Bromine (Br) based flame retardants meet JS709B low halogen requirements of <=1000ppm threshold. Antimony trioxide based flame retardants must also meet the <=1000ppm threshold requirement.

(3) MSL, Peak Temp. - The Moisture Sensitivity Level rating according to the JEDEC industry standard classifications, and peak solder temperature.

(4) There may be additional marking, which relates to the logo, the lot trace code information, or the environmental category on the device.

(5) Multiple Device Markings will be inside parentheses. Only one Device Marking contained in parentheses and separated by a "~" will appear on a device. If a line is indented then it is a continuation of the previous line and the two combined represent the entire Device Marking for that device.

(6) Lead finish/Ball material - Orderable Devices may have multiple material finish options. Finish options are separated by a vertical ruled line. Lead finish/Ball material values may wrap to two lines if the finish value exceeds the maximum column width.

Important Information and Disclaimer:The information provided on this page represents TI's knowledge and belief as of the date that it is provided. TI bases its knowledge and belief on information provided by third parties, and makes no representation or warranty as to the accuracy of such information. Efforts are underway to better integrate information from third parties. TI has taken and continues to take reasonable steps to provide representative and accurate information but may not have conducted destructive testing or chemical analysis on incoming materials and chemicals. TI and TI suppliers consider certain information to be proprietary, and thus CAS numbers and other limited information may not be available for release.

In no event shall TI's liability arising out of such information exceed the total purchase price of the TI part(s) at issue in this document sold by TI to Customer on an annual basis.

OTHER QUALIFIED VERSIONS OF SN74AHC123A-EP :

- Catalog: [SN74AHC123A](#)
- Military: [SN54AHC123A](#)

NOTE: Qualified Version Definitions:

- Catalog - TI's standard catalog product
- Military - QML certified for Military and Defense Applications

TAPE AND REEL INFORMATION

QUADRANT ASSIGNMENTS FOR PIN 1 ORIENTATION IN TAPE


*All dimensions are nominal

Device	Package Type	Package Drawing	Pins	SPQ	Reel Diameter (mm)	Reel Width W1 (mm)	A0 (mm)	B0 (mm)	K0 (mm)	P1 (mm)	W (mm)	Pin1 Quadrant
SN74AHC123AMDREP	SOIC	D	16	2500	330.0	16.4	6.5	10.3	2.1	8.0	16.0	Q1

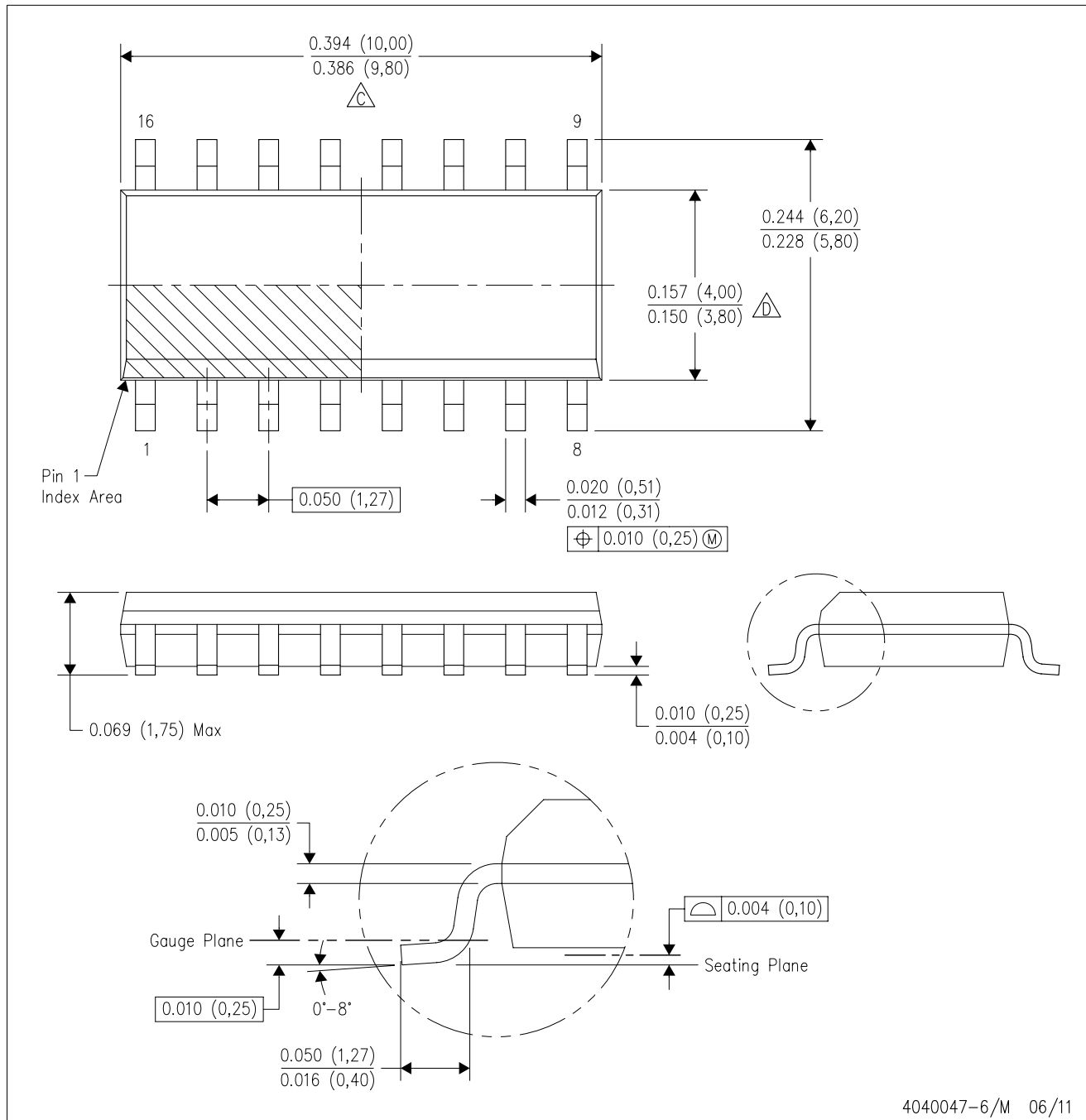
TAPE AND REEL BOX DIMENSIONS


*All dimensions are nominal

Device	Package Type	Package Drawing	Pins	SPQ	Length (mm)	Width (mm)	Height (mm)
SN74AHC123AMDREP	SOIC	D	16	2500	353.0	353.0	32.0

D (R-PDSO-G16)

PLASTIC SMALL OUTLINE



- NOTES:
- A. All linear dimensions are in inches (millimeters).
 - B. This drawing is subject to change without notice.
 - C. Body length does not include mold flash, protrusions, or gate burrs. Mold flash, protrusions, or gate burrs shall not exceed 0.006 (0,15) each side.
 - D. Body width does not include interlead flash. Interlead flash shall not exceed 0.017 (0,43) each side.
 - E. Reference JEDEC MS-012 variation AC.

D (R-PDSO-G16)

PLASTIC SMALL OUTLINE



- NOTES:
- All linear dimensions are in millimeters.
 - This drawing is subject to change without notice.
 - Publication IPC-7351 is recommended for alternate designs.
 - Laser cutting apertures with trapezoidal walls and also rounding corners will offer better paste release. Customers should contact their board assembly site for stencil design recommendations. Refer to IPC-7525 for other stencil recommendations.
 - Customers should contact their board fabrication site for solder mask tolerances between and around signal pads.

IMPORTANT NOTICE AND DISCLAIMER

TI PROVIDES TECHNICAL AND RELIABILITY DATA (INCLUDING DATA SHEETS), DESIGN RESOURCES (INCLUDING REFERENCE DESIGNS), APPLICATION OR OTHER DESIGN ADVICE, WEB TOOLS, SAFETY INFORMATION, AND OTHER RESOURCES "AS IS" AND WITH ALL FAULTS, AND DISCLAIMS ALL WARRANTIES, EXPRESS AND IMPLIED, INCLUDING WITHOUT LIMITATION ANY IMPLIED WARRANTIES OF MERCHANTABILITY, FITNESS FOR A PARTICULAR PURPOSE OR NON-INFRINGEMENT OF THIRD PARTY INTELLECTUAL PROPERTY RIGHTS.

These resources are intended for skilled developers designing with TI products. You are solely responsible for (1) selecting the appropriate TI products for your application, (2) designing, validating and testing your application, and (3) ensuring your application meets applicable standards, and any other safety, security, regulatory or other requirements.

These resources are subject to change without notice. TI grants you permission to use these resources only for development of an application that uses the TI products described in the resource. Other reproduction and display of these resources is prohibited. No license is granted to any other TI intellectual property right or to any third party intellectual property right. TI disclaims responsibility for, and you will fully indemnify TI and its representatives against, any claims, damages, costs, losses, and liabilities arising out of your use of these resources.

TI's products are provided subject to [TI's Terms of Sale](#) or other applicable terms available either on [ti.com](https://www.ti.com) or provided in conjunction with such TI products. TI's provision of these resources does not expand or otherwise alter TI's applicable warranties or warranty disclaimers for TI products.

TI objects to and rejects any additional or different terms you may have proposed.

Mailing Address: Texas Instruments, Post Office Box 655303, Dallas, Texas 75265
Copyright © 2024, Texas Instruments Incorporated