

# Octal D-Type Flip-Flops with Clear

## MM74HC273

### General Description

The MM74HC273 edge triggered flip-flops utilize advanced silicon-gate CMOS technology to implement D-type flip-flops. They possess high noise immunity, low power, and speeds comparable to low power Schottky TTL circuits. This device contains 8 master-slave flip-flops with a common clock and common clear. Data on the D input having the specified setup and hold times is transferred to the Q output on the LOW-to-HIGH transition of the CLOCK input. The CLEAR input when LOW, sets all outputs to a low state.

Each output can drive 10 low power Schottky TTL equivalent loads. The MM74HC273 is functionally as well as pin compatible to the 74LS273. All inputs are protected from damage due to static discharge by diodes to  $V_{CC}$  and ground.

### Features

- Typical Propagation Delay: 18 ns
- Wide Operating Voltage Range
- Low Input Current: 1  $\mu$ A Maximum
- Low Quiescent Current: 160  $\mu$ A (74 Series)
- Output Drive: 10 LS-TTL Loads
- This is a Pb-Free Device

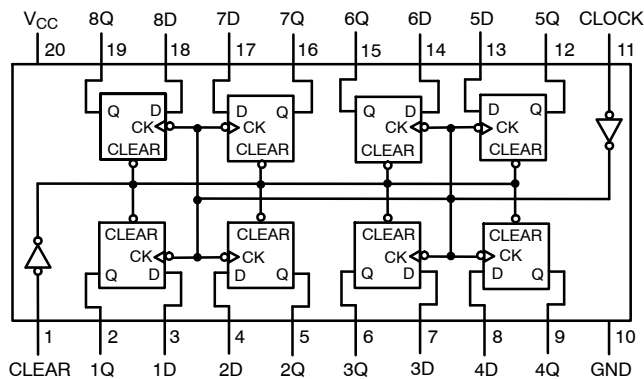


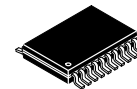
Figure 1. Connection Diagram



SOIC-20 WB  
CASE 751D-05

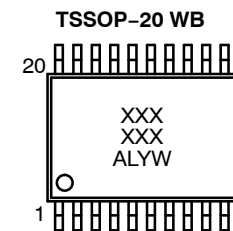
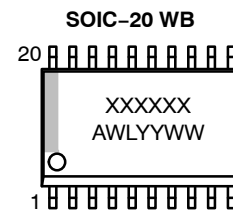


SOIC-20, 300 mils  
CASE 751BJ-01



TSSOP-20 WB  
CASE 948E

### MARKING DIAGRAMS



XXXXXX = Specific Device Code  
A = Assembly Location  
WL, L = Wafer Lot Number  
Y = Year  
WW, YW = Work Week

### ORDERING INFORMATION

See detailed ordering and shipping information on page 5 of this data sheet.

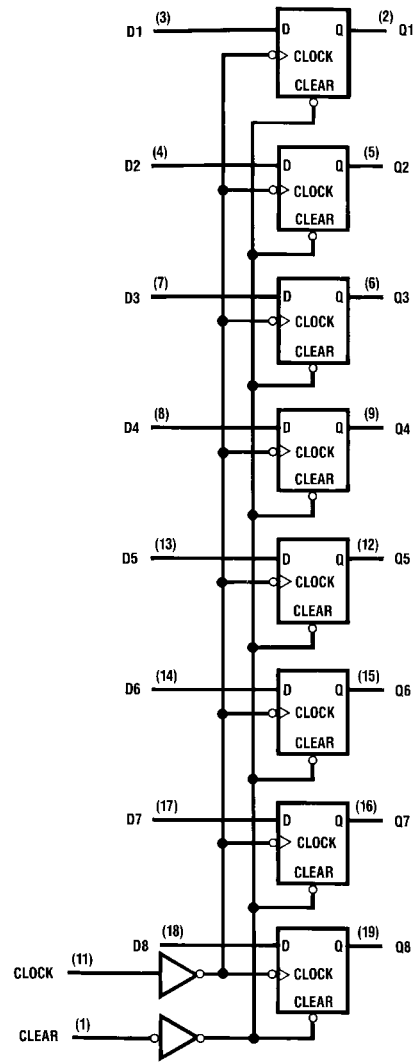
# MM74HC273

**TRUTH TABLE** (Each Flip-Flop)

Inputs			Outputs
Clear	Clock	D	Q
L	X	X	L
H	↑	H	H
H	↑	L	L
H	L	X	Q <sub>0</sub>

**NOTES:**

- H = HIGH Level (Steady State)
- L = LOW Level (Steady State)
- X = Don't Care
- ↑ = Transition from LOW-to-HIGH level
- Q<sub>0</sub> = The level of Q before the indicated steady state input conditions were established.



**Figure 2. Logic Diagram**

**ABSOLUTE MAXIMUM RATINGS** (Note 1)

Symbol	Rating		Value	Unit
V <sub>CC</sub>	Supply Voltage		-0.5 to +6.5 V	V
V <sub>IN</sub>	DC Input Voltage		-0.5 to V <sub>CC</sub> +0.5 V	V
V <sub>OUT</sub>	DC Output Voltage		-0.5 to V <sub>CC</sub> +0.5 V	V
I <sub>IK</sub> , I <sub>OK</sub>	Clamp Diode Current		±20	mA
I <sub>OUT</sub>	DC Output Current, per pin		±25	mA
I <sub>CC</sub>	DC V <sub>CC</sub> or GND Current, per pin		±50	mA
T <sub>STG</sub>	Storage Temperature Range		-65 to +150	°C
P <sub>D</sub>	Power Dissipation	SOIC	1302	mW
		TSSOP	833	mW
T <sub>L</sub>	Lead Temperature (Soldering 10 seconds)		260	°C

Stresses exceeding those listed in the Maximum Ratings table may damage the device. If any of these limits are exceeded, device functionality should not be assumed, damage may occur and reliability may be affected.

1. Unless otherwise specified all voltages are referenced to ground.

# MM74HC273

## RECOMMENDED OPERATING CONDITIONS

Symbol	Parameter	Min	Max	Unit	
$V_{CC}$	Supply Voltage	2	6	V	
$V_{IN}, V_{OUT}$	DC Input or Output Voltage	0	$V_{CC}$	V	
$T_A$	Operating Temperature Range	-55	125	°C	
$t_r, t_f$	Input Rise or Fall Times	$V_{CC} = 2.0\text{ V}$	-	1000	ns
		$V_{CC} = 4.5\text{ V}$	-	500	ns
		$V_{CC} = 6.0\text{ V}$	-	400	ns

Functional operation above the stresses listed in the Recommended Operating Ranges is not implied. Extended exposure to stresses beyond the Recommended Operating Ranges limits may affect device reliability.

## DC ELECTRICAL CHARACTERISTICS (Note 2)

Symbol	Parameter	Conditions	$V_{CC}$	$T_A = 25^\circ\text{C}$		$T_A = -40\text{ to }85^\circ\text{C}$		$T_A = -55\text{ to }125^\circ\text{C}$		Unit
				Typ	Guaranteed Limits					
$V_{IH}$	Minimum HIGH Level Input Voltage		2.0 V		1.5	1.5	1.5	V		
			4.5 V		3.15	3.15	3.15	V		
			6.0 V		4.2	4.2	4.2	V		
$V_{IL}$	Maximum LOW Level Input Voltage		2.0 V		0.5	0.5	0.5	V		
			4.5 V		1.35	1.35	1.35	V		
			6.0 V		1.8	1.8	1.8	V		
$V_{OH}$	Minimum HIGH Level Output Voltage	$V_{IN} = V_{IH}\text{ or }V_{IL}$ $ I_{OUT}  \leq 20\ \mu\text{A}$	2.0 V	2.0	1.9	1.9	1.9	V		
			4.5 V	4.5	4.4	4.4	4.4	V		
		6.0 V	6.0	5.9	5.9	5.9	V			
		$V_{IN} = V_{IH}\text{ or }V_{IL}$ $ I_{OUT}  \leq 4.0\text{ mA}$ $ I_{OUT}  \leq 5.2\text{ mA}$	4.5 V	4.2	3.98	3.84	3.7	V		
6.0 V	5.7		5.48	5.34	5.2	V				
$V_{OL}$	Maximum LOW Level Output Voltage	$V_{IN} = V_{IH}\text{ or }V_{IL}$ $ I_{OUT}  \leq 20\ \mu\text{A}$	2.0 V	0	0.1	0.1	0.1	V		
			4.5 V	0	0.1	0.1	0.1	V		
		6.0 V	0	0.1	0.1	0.1	V			
		$V_{IN} = V_{IH}\text{ or }V_{IL}$ $ I_{OUT}  \leq 4.0\text{ mA}$ $ I_{OUT}  \leq 5.2\text{ mA}$	4.5 V	0.2	0.26	0.33	0.4	V		
6.0 V	0.2		0.26	0.33	0.4	V				
$I_{IN}$	Maximum Input Current	$V_{IN} = V_{CC}\text{ or GND}$	6.0 V		$\pm 0.1$	$\pm 1.0$	$\pm 1.0$	$\mu\text{A}$		
$I_{CC}$	Maximum Quiescent Supply Current	$V_{IN} = V_{CC}\text{ or GND}$ $I_{OUT} = 0\ \mu\text{A}$	6.0 V		8	80	160	$\mu\text{A}$		

Product parametric performance is indicated in the Electrical Characteristics for the listed test conditions, unless otherwise noted. Product performance may not be indicated by the Electrical Characteristics if operated under different conditions.

2. For a power supply of  $5\text{ V} \pm 10\%$  the worst case output voltages ( $V_{OH}$ , and  $V_{OL}$ ) occur for HC at 4.5 V. Thus the 4.5 V values should be used when designing with this supply. Worst case  $V_{IH}$  and  $V_{IL}$  occur at  $V_{CC} = 5.5\text{ V}$  and  $4.5\text{ V}$  respectively. (The  $V_{IH}$  value at 5.5 V is 3.85 V.) The worst case leakage current ( $I_{IN}$ ,  $I_{CC}$ , and  $I_{OZ}$ ) occur for CMOS at the higher voltage and so the 6.0 V values should be used.

# MM74HC273

## AC ELECTRICAL CHARACTERISTICS

( $V_{CC} = 5\text{ V}$ ,  $T_A = 25^\circ\text{C}$ ,  $C_L = 15\text{ pF}$ ,  $t_r = t_f = 6\text{ ns}$ )

Symbol	Parameter	Conditions	Typ	Guaranteed Limit	Unit
$f_{MAX}$	Maximum Operating Frequency		50	30	MHz
$t_{PHL}$ , $t_{PLH}$	Maximum Propagation Delay, Clock to Output		18	27	ns
$t_{PHL}$	Maximum Propagation Delay, Clear to Output		18	27	ns
$t_{REM}$	Minimum Removal Time, Clear to Clock		10	20	ns
$t_s$	Minimum Setup Time, Data to Clock		10	20	ns
$t_H$	Minimum Hold Time, Clock to Data		-2	0	ns
$t_W$	Minimum Pulse Width, Clock to Clear		10	16	ns

Product parametric performance is indicated in the Electrical Characteristics for the listed test conditions, unless otherwise noted. Product performance may not be indicated by the Electrical Characteristics if operated under different conditions.

## AC ELECTRICAL CHARACTERISTICS

( $C_L = 50\text{ pF}$ ,  $t_r = t_f = 6\text{ ns}$ , unless otherwise specified)

Symbol	Parameter	Conditions	$V_{CC}$	$T_A = 25^\circ\text{C}$		$T_A = -40\text{ to }85^\circ\text{C}$	$T_A = -55\text{ to }125^\circ\text{C}$	Unit
				Typ	Guaranteed Limits			
$f_{MAX}$	Maximum Operating Frequency		2.0 V	16	5	4	3	MHz
			4.5 V	74	27	21	18	MHz
			6.0 V	78	31	24	20	MHz
$t_{PHL}$ , $t_{PLH}$	Maximum Propagation Delay, Clock to Output		2.0 V	38	135	170	205	ns
			4.5 V	14	27	34	41	ns
			6.0 V	12	23	29	35	ns
$t_{PHL}$	Maximum Propagation Delay, Clear to Output		2.0 V	42	135	170	205	ns
			4.5 V	19	27	34	41	ns
			6.0 V	18	23	29	35	ns
$t_{REM}$	Minimum Removal Time, Clear to Clock		2.0 V	0	25	32	37	ns
			4.5 V	0	5	6	7	ns
			6.0 V	0	4	5	6	ns
$t_s$	Minimum Setup Time, Data to Clock		2.0 V	26	100	125	150	ns
			4.5 V	7	20	25	30	ns
			6.0 V	5	17	21	25	ns
$t_H$	Minimum Hold Time, Clock to Clock		2.0 V	-15	0	0	0	ns
			4.5 V	-6	0	0	0	ns
			6.0 V	-4	0	0	0	ns
$t_W$	Minimum Pulse Width, Clock or Clear		2.0 V	34	80	100	120	ns
			4.5 V	11	16	20	24	ns
			6.0 V	10	14	18	20	ns
$t_r$ , $t_f$	Maximum Input Rise and Fall Time, Clock		2.0 V	-	1000	1000	1000	ns
			4.5 V	-	500	500	500	ns
			6.0 V	-	400	400	400	ns
$t_{THL}$ , $t_{TLH}$	Maximum Output Rise and Fall Time		2.0 V	28	75	95	110	ns
			4.5 V	11	15	19	22	ns
			6.0 V	9	13	16	19	ns

## MM74HC273

### AC ELECTRICAL CHARACTERISTICS (continued)

( $C_L = 50$  pF,  $t_r = t_f = 6$  ns, unless otherwise specified)

Symbol	Parameter	Conditions	$V_{CC}$	$T_A = 25^\circ\text{C}$		$T_A = -40$ to $85^\circ\text{C}$	$T_A = -55$ to $125^\circ\text{C}$	Unit
				Typ	Guaranteed Limits			
$C_{PD}$	Power Dissipation Capacitance (Note 3)	(per flip-flop)		45				pF
$C_{IN}$	Maximum Input Capacitance			7	10	10	10	pF

Product parametric performance is indicated in the Electrical Characteristics for the listed test conditions, unless otherwise noted. Product performance may not be indicated by the Electrical Characteristics if operated under different conditions.

3.  $C_{PD}$  determines the no load dynamic power consumption,  $P_D = C_{PD} V_{CC}^2 f + I_{CC} V_{CC}$ , and the no load dynamic current consumption,  $I_S = C_{PD} V_{CC} f + I_{CC}$ .

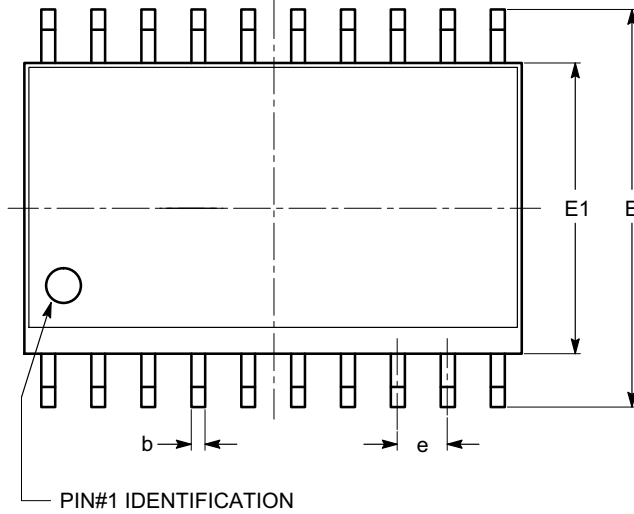
### ORDERING INFORMATION

Device	Marking	Package	Shipping <sup>†</sup>
MM74HC273WM	HC273A	SOIC-20 WB (Pb-Free and Halide Free)	38 Units / Tube
MM74HC273WMX	HC273A	SOIC-20, 300 mils (Pb-Free and Halide Free)	1000 / Tape & Reel
MM74HC273MTC	HC 273A	TSSOP-20 WB (Pb-Free)	75 Units / Tube
MM74HC273MTCX	HC 273A	TSSOP-20 WB (Pb-Free)	2500 / Tape & Reel

<sup>†</sup>For information on tape and reel specifications, including part orientation and tape sizes, please refer to our Tape and Reel Packaging Specifications Brochure, [BRD8011/D](#).

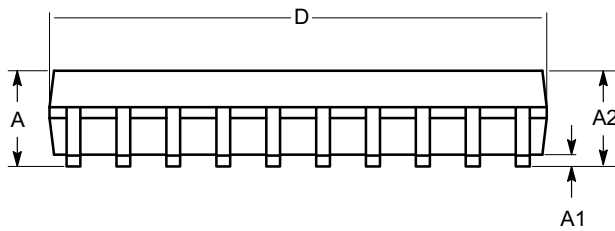
**SOIC-20, 300 mils**  
**CASE 751BJ**  
**ISSUE O**

DATE 19 DEC 2008

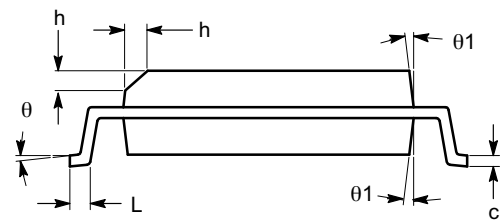


**TOP VIEW**

SYMBOL	MIN	NOM	MAX
A	2.36	2.49	2.64
A1	0.10		0.30
A2	2.05		2.55
b	0.31	0.41	0.51
c	0.20	0.27	0.33
D	12.60	12.80	13.00
E	10.01	10.30	10.64
E1	7.40	7.50	7.60
e	1.27 BSC		
h	0.25		0.75
L	0.40	0.81	1.27
$\theta$	0°		8°
$\theta_1$	5°		15°



**SIDE VIEW**



**END VIEW**

**Notes:**

- (1) All dimensions are in millimeters. Angles in degrees.
- (2) Complies with JEDEC MS-013.

<b>DOCUMENT NUMBER:</b>	<b>98AON34287E</b>	Electronic versions are uncontrolled except when accessed directly from the Document Repository. Printed versions are uncontrolled except when stamped "CONTROLLED COPY" in red.
<b>DESCRIPTION:</b>	<b>SOIC-20, 300 MILS</b>	<b>PAGE 1 OF 1</b>

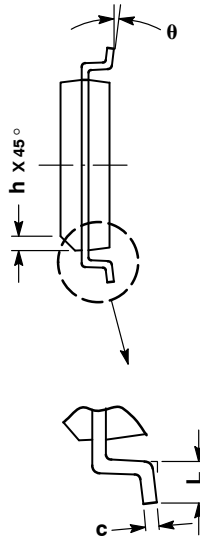
onsemi and ONSEMI are trademarks of Semiconductor Components Industries, LLC dba onsemi or its subsidiaries in the United States and/or other countries. onsemi reserves the right to make changes without further notice to any products herein. onsemi makes no warranty, representation or guarantee regarding the suitability of its products for any particular purpose, nor does onsemi assume any liability arising out of the application or use of any product or circuit, and specifically disclaims any and all liability, including without limitation special, consequential or incidental damages. onsemi does not convey any license under its patent rights nor the rights of others.



SCALE 1:1

SOIC-20 WB  
CASE 751D-05  
ISSUE H

DATE 22 APR 2015

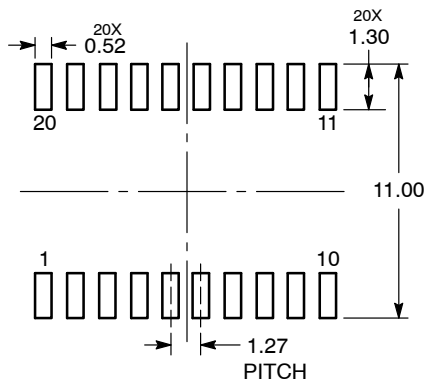


NOTES:

1. DIMENSIONS ARE IN MILLIMETERS.
2. INTERPRET DIMENSIONS AND TOLERANCES PER ASME Y14.5M, 1994.
3. DIMENSIONS D AND E DO NOT INCLUDE MOLD PROTRUSION.
4. MAXIMUM MOLD PROTRUSION 0.15 PER SIDE.
5. DIMENSION B DOES NOT INCLUDE DAMBAR PROTRUSION. ALLOWABLE PROTRUSION SHALL BE 0.13 TOTAL IN EXCESS OF B DIMENSION AT MAXIMUM MATERIAL CONDITION.

DIM	MILLIMETERS	
	MIN	MAX
A	2.35	2.65
A1	0.10	0.25
b	0.35	0.49
c	0.23	0.32
D	12.65	12.95
E	7.40	7.60
e	1.27 BSC	
H	10.05	10.55
h	0.25	0.75
L	0.50	0.90
θ	0°	7°

RECOMMENDED  
SOLDERING FOOTPRINT\*



DIMENSIONS: MILLIMETERS

\*For additional information on our Pb-Free strategy and soldering details, please download the onsemi Soldering and Mounting Techniques Reference Manual, SOLDERRM/D.

GENERIC  
MARKING DIAGRAM\*



- XXXXXX = Specific Device Code
- A = Assembly Location
- WL = Wafer Lot
- YY = Year
- WW = Work Week
- G = Pb-Free Package

\*This information is generic. Please refer to device data sheet for actual part marking. Pb-Free indicator, "G" or microdot "▪", may or may not be present. Some products may not follow the Generic Marking.

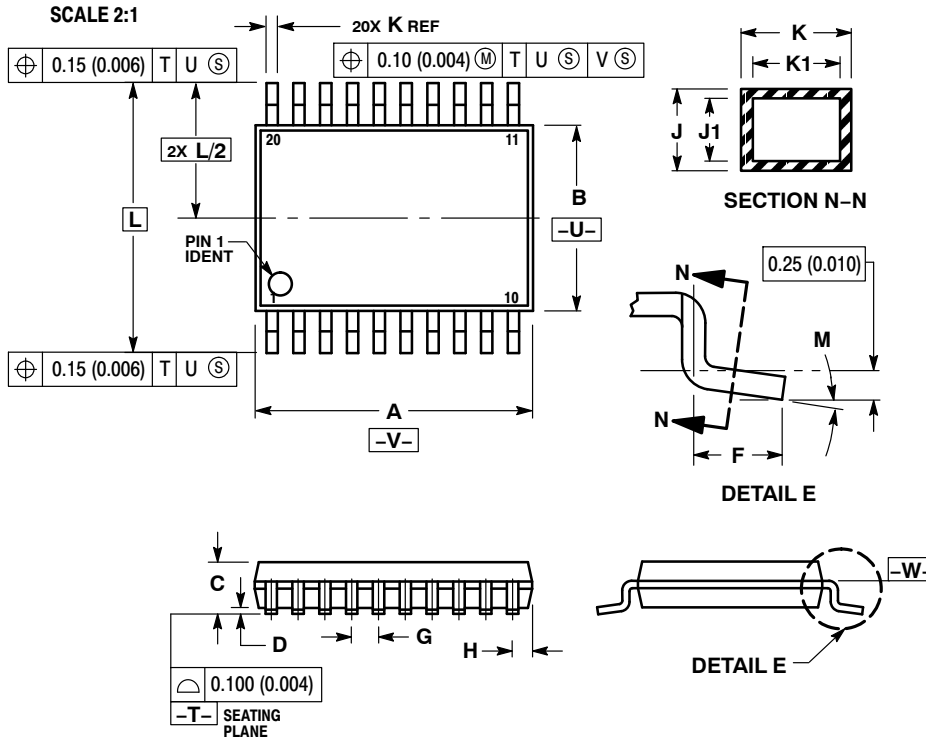
DOCUMENT NUMBER:	98ASB42343B	Electronic versions are uncontrolled except when accessed directly from the Document Repository. Printed versions are uncontrolled except when stamped "CONTROLLED COPY" in red.
DESCRIPTION:	SOIC-20 WB	PAGE 1 OF 1

onsemi and onsemi are trademarks of Semiconductor Components Industries, LLC dba onsemi or its subsidiaries in the United States and/or other countries. onsemi reserves the right to make changes without further notice to any products herein. onsemi makes no warranty, representation or guarantee regarding the suitability of its products for any particular purpose, nor does onsemi assume any liability arising out of the application or use of any product or circuit, and specifically disclaims any and all liability, including without limitation special, consequential or incidental damages. onsemi does not convey any license under its patent rights nor the rights of others.



TSSOP-20 WB  
CASE 948E  
ISSUE D

DATE 17 FEB 2016



NOTES:

1. DIMENSIONING AND TOLERANCING PER ANSI Y14.5M, 1982.
2. CONTROLLING DIMENSION: MILLIMETER.
3. DIMENSION A DOES NOT INCLUDE MOLD FLASH, PROTRUSIONS OR GATE BURRS. MOLD FLASH OR GATE BURRS SHALL NOT EXCEED 0.15 (0.006) PER SIDE.
4. DIMENSION B DOES NOT INCLUDE INTERLEAD FLASH OR PROTRUSION. INTERLEAD FLASH OR PROTRUSION SHALL NOT EXCEED 0.25 (0.010) PER SIDE.
5. DIMENSION K DOES NOT INCLUDE DAMBAR PROTRUSION. ALLOWABLE DAMBAR PROTRUSION SHALL BE 0.08 (0.003) TOTAL IN EXCESS OF THE K DIMENSION AT MAXIMUM MATERIAL CONDITION.
6. TERMINAL NUMBERS ARE SHOWN FOR REFERENCE ONLY.
7. DIMENSION A AND B ARE TO BE DETERMINED AT DATUM PLANE -W-.

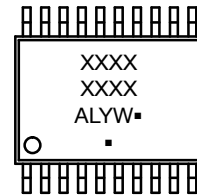
DIM	MILLIMETERS		INCHES	
	MIN	MAX	MIN	MAX
A	6.40	6.60	0.252	0.260
B	4.30	4.50	0.169	0.177
C	---	1.20	---	0.047
D	0.05	0.15	0.002	0.006
F	0.50	0.75	0.020	0.030
G	0.65 BSC		0.026 BSC	
H	0.27	0.37	0.011	0.015
J	0.09	0.20	0.004	0.008
J1	0.09	0.16	0.004	0.006
K	0.19	0.30	0.007	0.012
K1	0.19	0.25	0.007	0.010
L	6.40 BSC		0.252 BSC	
M	0°	8°	0°	8°

RECOMMENDED  
SOLDERING FOOTPRINT\*



\*For additional information on our Pb-Free strategy and soldering details, please download the onsemi Soldering and Mounting Techniques Reference Manual, SOLDERRM/D.

GENERIC  
MARKING DIAGRAM\*



- A = Assembly Location
- L = Wafer Lot
- Y = Year
- W = Work Week
- = Pb-Free Package

(Note: Microdot may be in either location)

\*This information is generic. Please refer to device data sheet for actual part marking. Pb-Free indicator, "G" or microdot "▪", may or may not be present. Some products may not follow the Generic Marking.

DOCUMENT NUMBER:	98ASH70169A	Electronic versions are uncontrolled except when accessed directly from the Document Repository. Printed versions are uncontrolled except when stamped "CONTROLLED COPY" in red.
DESCRIPTION:	TSSOP-20 WB	PAGE 1 OF 1

onsemi and onsemi are trademarks of Semiconductor Components Industries, LLC dba onsemi or its subsidiaries in the United States and/or other countries. onsemi reserves the right to make changes without further notice to any products herein. onsemi makes no warranty, representation or guarantee regarding the suitability of its products for any particular purpose, nor does onsemi assume any liability arising out of the application or use of any product or circuit, and specifically disclaims any and all liability, including without limitation special, consequential or incidental damages. onsemi does not convey any license under its patent rights nor the rights of others.



**onsemi**, **Onsemi**, and other names, marks, and brands are registered and/or common law trademarks of Semiconductor Components Industries, LLC dba "**onsemi**" or its affiliates and/or subsidiaries in the United States and/or other countries. **onsemi** owns the rights to a number of patents, trademarks, copyrights, trade secrets, and other intellectual property. A listing of **onsemi**'s product/patent coverage may be accessed at [www.onsemi.com/site/pdf/Patent-Marking.pdf](http://www.onsemi.com/site/pdf/Patent-Marking.pdf). **onsemi** reserves the right to make changes at any time to any products or information herein, without notice. The information herein is provided "as-is" and **onsemi** makes no warranty, representation or guarantee regarding the accuracy of the information, product features, availability, functionality, or suitability of its products for any particular purpose, nor does **onsemi** assume any liability arising out of the application or use of any product or circuit, and specifically disclaims any and all liability, including without limitation special, consequential or incidental damages. Buyer is responsible for its products and applications using **onsemi** products, including compliance with all laws, regulations and safety requirements or standards, regardless of any support or applications information provided by **onsemi**. "Typical" parameters which may be provided in **onsemi** data sheets and/or specifications can and do vary in different applications and actual performance may vary over time. All operating parameters, including "Typicals" must be validated for each customer application by customer's technical experts. **onsemi** does not convey any license under any of its intellectual property rights nor the rights of others. **onsemi** products are not designed, intended, or authorized for use as a critical component in life support systems or any FDA Class 3 medical devices or medical devices with a same or similar classification in a foreign jurisdiction or any devices intended for implantation in the human body. Should Buyer purchase or use **onsemi** products for any such unintended or unauthorized application, Buyer shall indemnify and hold **onsemi** and its officers, employees, subsidiaries, affiliates, and distributors harmless against all claims, costs, damages, and expenses, and reasonable attorney fees arising out of, directly or indirectly, any claim of personal injury or death associated with such unintended or unauthorized use, even if such claim alleges that **onsemi** was negligent regarding the design or manufacture of the part. **onsemi** is an Equal Opportunity/Affirmative Action Employer. This literature is subject to all applicable copyright laws and is not for resale in any manner.

---

## ADDITIONAL INFORMATION

### TECHNICAL PUBLICATIONS:

Technical Library: [www.onsemi.com/design/resources/technical-documentation](http://www.onsemi.com/design/resources/technical-documentation)  
onsemi Website: [www.onsemi.com](http://www.onsemi.com)

### ONLINE SUPPORT: [www.onsemi.com/support](http://www.onsemi.com/support)

For additional information, please contact your local Sales Representative at [www.onsemi.com/support/sales](http://www.onsemi.com/support/sales)