

## TLV340x Family of Nanopower, Open-Drain Output Comparators

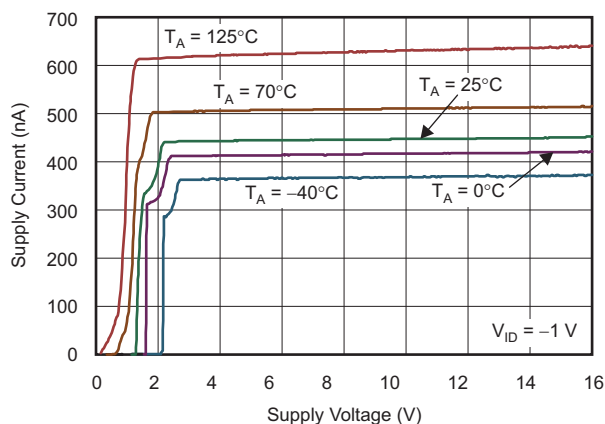
### 1 Features

- Low Supply Current: 470 nA Per Channel
- Input Common-Mode Range Exceeds the Rails:  $-0.1\text{ V}$  to  $V_{CC} + 5\text{ V}$
- Supply Voltage Range: 2.5 V to 16 V
- Reverse Battery Protection Up to 18 V
- Open-Drain CMOS Output Stage
- Specified Temperature Range:
  - Commercial Grade:  $0^{\circ}\text{C}$  to  $+70^{\circ}\text{C}$
  - Industrial Grade:  $-40^{\circ}\text{C}$  to  $+125^{\circ}\text{C}$
- Ultra-Small Packaging:
  - 5-Pin SOT-23 (TLV3401)
  - 8-Pin MSOP (TLV3402)
- Universal Op Amp EVM (See [Universal Operational Amplifier Evaluation Module Selection Guide](#) For More Information)

### 2 Applications

- Portable Medical Equipment
- Wireless Security Systems
- Remote Control Systems
- Handheld Instruments
- Ultra-Low Power Systems

Supply Current vs Supply Voltage



### 3 Description

The TLV340x is TI's first family of nanopower comparators with only 470 nA per channel supply current, which makes this device ideal for battery-powered and wireless handset applications.

The TLV340x has a minimum operating supply voltage of 2.7 V over the extended industrial temperature range ( $T_A = -40^{\circ}\text{C}$  to  $+125^{\circ}\text{C}$ ), while having an input common-mode range of  $-0.1$  to  $V_{CC} + 5\text{ V}$ . The low supply current makes it an ideal choice for battery-powered portable applications where quiescent current is the primary concern. Reverse battery protection guards the amplifier from an overcurrent condition due to improper battery installation. For harsh environments, the inputs can be taken 5 V above the positive supply rail without damage to the device.

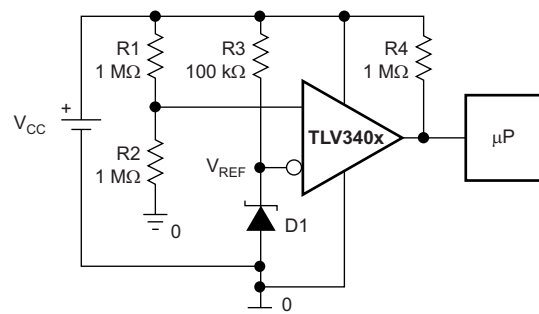
All members are available in PDIP and SOIC with the single versions in the small SOT-23 package, dual versions in the VSSOP package, and quad versions in the TSSOP package.

Device Information<sup>(1)</sup>

| PART NUMBER      | PACKAGE    | BODY SIZE (NOM)    |
|------------------|------------|--------------------|
| TLV3401          | SOT-23 (5) | 2.90 mm x 1.60 mm  |
| TLV3401, TLV3402 | SOIC (8)   | 4.90 mm x 3.91 mm  |
| TLV3401, TLV3402 | PDIP (8)   | 9.81 mm x 6.35 mm  |
| TLV3402          | VSSOP (8)  | 3.00 mm x 3.00 mm  |
| TLV3404          | SOIC (14)  | 8.65 mm x 3.91 mm  |
|                  | TSSOP (14) | 5.00 mm x 4.40 mm  |
|                  | PDIP (14)  | 19.30 mm x 6.35 mm |

(1) For all available packages, see the orderable addendum at the end of the data sheet.

High-Side Voltage Sense Circuit



Copyright © 2000, Texas Instruments Incorporated



## Table of Contents

|  |           |  |           |
|--|-----------|--|-----------|
| <b>1 Features</b> .....                        | <b>1</b>  | 8.3 Feature Description .....                                    | <b>12</b> |
| <b>2 Applications</b> .....                    | <b>1</b>  | 8.4 Device Functional Modes .....                                | <b>12</b> |
| <b>3 Description</b> .....                     | <b>1</b>  | <b>9 Application and Implementation</b> .....                    | <b>13</b> |
| <b>4 Revision History</b> .....                | <b>2</b>  | 9.1 Application Information .....                                | <b>13</b> |
| <b>5 Device Comparison Table</b> .....         | <b>3</b>  | 9.2 Typical Application .....                                    | <b>13</b> |
| <b>6 Pin Configuration and Functions</b> ..... | <b>4</b>  | <b>10 Power Supply Recommendations</b> .....                     | <b>15</b> |
| <b>7 Specifications</b> .....                  | <b>6</b>  | <b>11 Layout</b> .....   | <b>15</b> |
| 7.1 Absolute Maximum Ratings .....             | <b>6</b>  | 11.1 Layout Guidelines .....                                     | <b>15</b> |
| 7.2 ESD Ratings .....                          | <b>6</b>  | 11.2 Layout Example .....  | <b>15</b> |
| 7.3 Recommended Operating Conditions .....     | <b>6</b>  | <b>12 Device and Documentation Support</b> .....                 | <b>16</b> |
| 7.4 Thermal Information: TLV3401 .....         | <b>7</b>  | 12.1 Device Support .....  | <b>16</b> |
| 7.5 Thermal Information: TLV3402 .....         | <b>7</b>  | 12.2 Documentation Support .....                                 | <b>16</b> |
| 7.6 Thermal Information: TLV3404 .....         | <b>7</b>  | 12.3 Related Links .....   | <b>16</b> |
| 7.7 Electrical Characteristics .....           | <b>8</b>  | 12.4 Receiving Notification of Documentation Updates .....       | <b>16</b> |
| 7.8 Switching Characteristics .....            | <b>8</b>  | 12.5 Community Resource .....                                    | <b>17</b> |
| 7.9 Typical Characteristics .....              | <b>9</b>  | 12.6 Trademarks .....  | <b>17</b> |
| <b>8 Detailed Description</b> .....            | <b>12</b> | 12.7 Electrostatic Discharge Caution .....                       | <b>17</b> |
| 8.1 Overview .....                             | <b>12</b> | 12.8 Glossary .....  | <b>17</b> |
| 8.2 Functional Block Diagram .....             | <b>12</b> | <b>13 Mechanical, Packaging, and Orderable Information</b> ..... | <b>17</b> |

## 4 Revision History

NOTE: Page numbers for previous revisions may differ from page numbers in the current version.

| <b>Changes from Revision A (November 2000) to Revision B</b>   | <b>Page</b> |
|--|-------------|
| • Added <i>ESD Rating</i> table, <i>Feature Description</i> section, <i>Device Functional Modes</i> , <i>Application and Implementation</i> section, <i>Power Supply Recommendations</i> section, <i>Layout</i> section, <i>Device and Documentation Support</i> section, and <i>Mechanical, Packaging, and Orderable Information</i> section; ..... | <b>1</b>    |
| • Deleted <i>Available Options</i> tables; refer to <i>Package Option Addendum</i> at the end of this data sheet .....   | <b>3</b>    |
| • Deleted <i>Dissipation Ratings</i> table .....   | <b>6</b>    |

## 5 Device Comparison Table

| DEVICE <sup>(1)</sup> | V <sub>CC</sub> (V) | V <sub>IO</sub> (μV) | I <sub>CC/Ch</sub> (μA) | I <sub>B</sub> (pA) | t <sub>PLH</sub> (μs) | t <sub>PHL</sub> (μs) | t <sub>F</sub> (μs) | t <sub>R</sub> (μs) | RAIL-TO-RAIL | OUTPUT STAGE |
|-----------------------|---------------------|----------------------|-------------------------|---------------------|-----------------------|-----------------------|---------------------|---------------------|--------------|--------------|
| TLV340x               | 2.5 to 16           | 250                  | 0.47                    | 80                  | 55                    | 30                    | 5                   | —                   | Input        | OD           |
| TLV370x               | 2.5 to 16           | 250                  | 0.47                    | 80                  | 25                    | 30                    | 5                   | 3.5                 | Input        | PP           |
| TLC3702/4             | 3 to 16             | 1200                 | 9                       | 5                   | 1.1                   | 0.65                  | 0.5                 | 0.125               | —            | PP           |
| TLC393/339            | 3 to 16             | 1400                 | 11                      | 5                   | 1.1                   | 0.55                  | 0.22                | —                   | —            | OD           |
| TLC372/4              | 3 to 16             | 1000                 | 75                      | 5                   | 0.65                  | 0.65                  | —                   | —                   | —            | OD           |

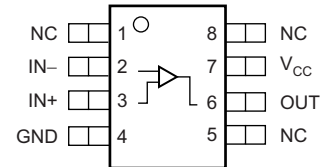
(1) All specifications are typical values measured at 5 V.

## 6 Pin Configuration and Functions

**TLV3401: DBV Package**  
5-Pin SOT-23  
Top View



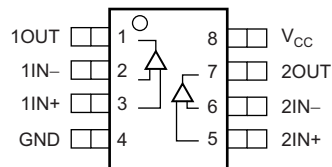
**TLV3401: D and P Packages**  
8-Pin SOIC and VSSOP  
Top View



**Pin Functions: TLV3401**

| NAME            | PIN               |                       | I/O | DESCRIPTION                                   |
|-----------------|-------------------|-----------------------|-----|---|
|                 | TLV3401<br>SOT-23 | TLV3401<br>SOIC, PDIP |     |   |
| GND             | 2                 | 4                     | —   | Ground  |
| IN-             | 4                 | 2                     | I   | Negative (inverting) input                    |
| IN+             | 3                 | 3                     | I   | Positive (noninverting) input                 |
| NC              | —                 | 1, 5, 8               | —   | No internal connection (can be left floating) |
| OUT             | 1                 | 6                     | O   | Output  |
| V <sub>CC</sub> | 5                 | 7                     | —   | Positive power supply                         |

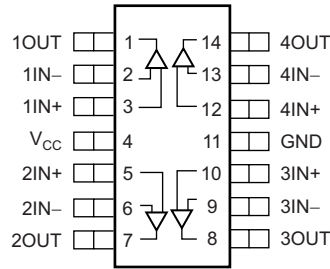
**TLV3402: D, DGK, and P Packages**  
8-PIN SOIC, PDIP, and VSSOP  
Top View



**Pin Functions: TLV3402**

| NAME            | PIN                             |                                 | I/O | DESCRIPTION                   |
|-----------------|---------------------------------|---------------------------------|-----|-------------------------------|
|                 | TLV3402<br>SOIC, PDIP,<br>VSSOP | TLV3402<br>SOIC, PDIP,<br>VSSOP |     |                               |
| GND             | 4                               | 4                               | —   | Ground                        |
| 1IN-            | 2                               | 2                               | I   | Inverting input, channel 1    |
| 2IN-            | 6                               | 6                               | I   | Inverting input, channel 2    |
| 1IN+            | 3                               | 3                               | I   | Noninverting input, channel 1 |
| 2IN+            | 5                               | 5                               | I   | Noninverting input, channel 2 |
| 1OUT            | 1                               | 1                               | O   | Output, channel 1             |
| 2OUT            | 7                               | 7                               | O   | Output, channel 2             |
| V <sub>CC</sub> | 8                               | 8                               | —   | Positive power supply         |

**TLV3404: D, N, and PW Packages  
14-PIN SOIC, PDIP, TSSOP  
Top View**



**Pin Functions: TLV3404**

| NAME            | PIN                             |     | DESCRIPTION                   |
|-----------------|---------------------------------|-----|-------------------------------|
|                 | TLV3404<br>SOIC, PDIP,<br>TSSOP | I/O |                               |
| GND             | 11                              | —   | Ground                        |
| 1IN-            | 2                               | I   | Inverting input, channel 1    |
| 2IN-            | 6                               | I   | Inverting input, channel 2    |
| 3IN-            | 9                               | I   | Inverting input, channel 3    |
| 4IN-            | 13                              | I   | Inverting input, channel 4    |
| 1IN+            | 3                               | I   | Noninverting input, channel 1 |
| 2IN+            | 5                               | I   | Noninverting input, channel 2 |
| 3IN+            | 10                              | I   | Noninverting input, channel 3 |
| 4IN+            | 12                              | I   | Noninverting input, channel 4 |
| 1OUT            | 1                               | O   | Output, channel 1             |
| 2OUT            | 7                               | O   | Output, channel 2             |
| 3OUT            | 8                               | O   | Output, channel 3             |
| 4OUT            | 14                              | O   | Output, channel 4             |
| V <sub>CC</sub> | 4                               | —   | Positive power supply         |

## 7 Specifications

### 7.1 Absolute Maximum Ratings

 over operating free-air temperature range (unless otherwise noted)<sup>(1)</sup>

|             |                                 | MIN               | MAX          | UNIT |    |
|-------------|---------------------------------|-------------------|--------------|------|----|
| Voltage     | Supply, $V_{CC}$ <sup>(2)</sup> |                   | 17           | V    |    |
|             | Differential input, $V_{ID}$    | -20               | 20           |      |    |
|             | Input, $V_I$ <sup>(2)(3)</sup>  | 0                 | $V_{CC} + 5$ |      |    |
| Current     | Input, $I_I$                    | -10               | 10           | mA   |    |
|             | Output, $I_O$                   | -10               | 10           |      |    |
| Temperature | Operating, $T_A$                | C-suffix versions | 0            | 70   | °C |
|             |                                 | I-suffix versions | -40          | 125  |    |
|             | Junction, $T_J$                 |                   | 150          |      |    |
|             | Storage, $T_{stg}$              | -65               | 150          |      |    |

(1) Stresses beyond those listed under *Absolute Maximum Ratings* may cause permanent damage to the device. These are stress ratings only, which do not imply functional operation of the device at these or any other conditions beyond those indicated under *Recommended Operating Conditions*. Exposure to absolute-maximum-rated conditions for extended periods may affect device reliability.

(2) All voltage values, except differential voltages, are with respect to GND.

(3) Input voltage range is limited to 20 V or  $V_{CC} + 5$  V, whichever is smaller.

### 7.2 ESD Ratings

|                                     |  | VALUE | UNIT |
|-------------------------------------|--|-------|------|
| $V_{(ESD)}$ Electrostatic discharge | Human-body model (HBM), per ANSI/ESDA/JEDEC JS-001 <sup>(1)</sup>              | ±2000 | V    |
|                                     | Charged-device model (CDM), per JEDEC specification JESD22-C101 <sup>(2)</sup> | ±1500 |      |
|                                     | Machine model (MM)   | ±100  |      |

(1) JEDEC document JEP155 states that 500-V HBM allows safe manufacturing with a standard ESD control process.

(2) JEDEC document JEP157 states that 250-V CDM allows safe manufacturing with a standard ESD control process.

### 7.3 Recommended Operating Conditions

|                                       |                   | MIN               | MAX          | UNIT |   |
|---------------------------------------|-------------------|-------------------|--------------|------|---|
| Supply voltage, $V_{CC}$              | Single supply     | C-suffix versions | 2.5          | 16   | V |
|                                       |                   | I-suffix versions | 2.7          | 16   |   |
|                                       | Split supply      | C-suffix versions | ±1.25        | ±8   |   |
|                                       |                   | I-suffix versions | ±1.35        | ±8   |   |
| Common-mode input voltage, $V_{ICR}$  |                   | -0.1              | $V_{CC} + 5$ | V    |   |
| Operating free-air temperature, $T_A$ | C-suffix versions | 0                 | 70           | °C   |   |
|                                       | I-suffix versions | -40               | 125          |      |   |

## 7.4 Thermal Information: TLV3401

| THERMAL METRIC <sup>(1)</sup> |  | TLV3401  |              |          | UNIT |
|-------------------------------|--|----------|--------------|----------|------|
|                               |  | D (SOIC) | DBV (SOT-23) | P (PDIP) |      |
|                               |  | 8 PINS   | 5 PINS       | 8 PINS   |      |
| $R_{\theta JA}$               | Junction-to-ambient thermal resistance       | 201.9    | 237.8        | 58.5     | °C/W |
| $R_{\theta JC(top)}$          | Junction-to-case (top) thermal resistance    | 92.5     | 108.7        | 48.3     | °C/W |
| $R_{\theta JB}$               | Junction-to-board thermal resistance         | 123.3    | 64.1         | 35.6     | °C/W |
| $\Psi_{JT}$                   | Junction-to-top characterization parameter   | 23       | 12.1         | 25.9     | °C/W |
| $\Psi_{JB}$                   | Junction-to-board characterization parameter | 212.6    | 63.3         | 35.5     | °C/W |
| $R_{\theta JC(bot)}$          | Junction-to-case (bottom) thermal resistance | —        | —            | —        | °C/W |

(1) For more information about traditional and new thermal metrics, see the application report, [Semiconductor and IC Package Thermal Metrics](#)

## 7.5 Thermal Information: TLV3402

| THERMAL METRIC <sup>(1)</sup> |  | TLV3402  |             |          | UNIT |
|-------------------------------|--|----------|-------------|----------|------|
|                               |  | D (SOIC) | DGK (VSSOP) | P (PDIP) |      |
|                               |  | 8 PINS   | 8 PINS      | 8 PINS   |      |
| $R_{\theta JA}$               | Junction-to-ambient thermal resistance       | 201.9    | 186.8       | 58.5     | °C/W |
| $R_{\theta JC(top)}$          | Junction-to-case (top) thermal resistance    | 92.5     | 77.5        | 48.3     | °C/W |
| $R_{\theta JB}$               | Junction-to-board thermal resistance         | 123.3    | 107.8       | 35.6     | °C/W |
| $\Psi_{JT}$                   | Junction-to-top characterization parameter   | 23       | 15.7        | 25.9     | °C/W |
| $\Psi_{JB}$                   | Junction-to-board characterization parameter | 212.6    | 106.2       | 35.5     | °C/W |
| $R_{\theta JC(bot)}$          | Junction-to-case (bottom) thermal resistance | —        | —           | —        | °C/W |

(1) For more information about traditional and new thermal metrics, see the application report, [Semiconductor and IC Package Thermal Metrics](#)

## 7.6 Thermal Information: TLV3404

| THERMAL METRIC <sup>(1)</sup> |  | TLV3404  |          |            | UNIT |
|-------------------------------|--|----------|----------|------------|------|
|                               |  | D (SOIC) | N (PDIP) | PW (TSSOP) |      |
|                               |  | 14 PINS  | 14 PINS  | 14 PINS    |      |
| $R_{\theta JA}$               | Junction-to-ambient thermal resistance       | 83.8     | 65.5     | 120.8      | °C/W |
| $R_{\theta JC(top)}$          | Junction-to-case (top) thermal resistance    | 70.7     | 20.0     | 34.3       | °C/W |
| $R_{\theta JB}$               | Junction-to-board thermal resistance         | 59.5     | 25.9     | 62.8       | °C/W |
| $\Psi_{JT}$                   | Junction-to-top characterization parameter   | 11.6     | 1.9      | 1          | °C/W |
| $\Psi_{JB}$                   | Junction-to-board characterization parameter | 37.7     | 25.3     | 56.5       | °C/W |
| $R_{\theta JC(bot)}$          | Junction-to-case (bottom) thermal resistance | —        | —        | —          | °C/W |

(1) For more information about traditional and new thermal metrics, see the application report, [Semiconductor and IC Package Thermal Metrics](#)

## 7.7 Electrical Characteristics

At specified free-air temperature and  $V_{CC} = 2.7\text{ V}, 5\text{ V}, 15\text{ V}$ , unless otherwise noted.

| PARAMETER                           |   | TEST CONDITIONS   | $T_A^{(1)}$                              | MIN                      | TYP  | MAX | UNIT                         |
|-------------------------------------|---|---|--|--------------------------|------|-----|------------------------------|
| <b>DC PERFORMANCE</b>               |   |   |  |                          |      |     |                              |
| $V_{IO}$                            | Input offset voltage                            | $V_{IC} = V_{CC}/2, R_S = 50\ \Omega, R_P = 1\ \text{M}\Omega$      | $T_A = 25^\circ\text{C}$                 | 250                      | 3600 |     | $\mu\text{V}$                |
|                                     |   |   | Full range                               |                          | 4400 |     |                              |
| $\alpha_{VIO}$                      | Offset voltage drift                            | $V_{IC} = V_{CC}/2, R_S = 50\ \Omega, R_P = 1\ \text{M}\Omega$      | $T_A = 25^\circ\text{C}$                 |                          | 3    |     | $\mu\text{V}/^\circ\text{C}$ |
| CMRR                                | Common-mode rejection ratio                     | $V_{IC} = 0\ \text{V to } 2.7\ \text{V}, R_S = 50\ \Omega$          | $T_A = 25^\circ\text{C}$                 | 55                       | 72   |     | dB                           |
|                                     |   |   | Full range                               | 50                       |      |     |                              |
|                                     |   | $V_{IC} = 0\ \text{V to } 5\ \text{V}, R_S = 50\ \Omega$            | $T_A = 25^\circ\text{C}$                 | 60                       | 76   |     |                              |
|                                     |   |   | Full range                               | 55                       |      |     |                              |
|                                     |   | $V_{IC} = 0\ \text{V to } 15\ \text{V}, R_S = 50\ \Omega$           | $T_A = 25^\circ\text{C}$                 | 65                       | 88   |     |                              |
|                                     |   |   | Full range                               | 60                       |      |     |                              |
| $A_{VD}$                            | Large-signal differential voltage amplification | $R_P = 1\ \text{M}\Omega$   | $T_A = 25^\circ\text{C}$                 |                          | 1000 |     | V/mV                         |
| <b>INPUT/OUTPUT CHARACTERISTICS</b> |   |   |  |                          |      |     |                              |
| $I_{IO}$                            | Input offset current                            | $V_{IC} = V_{CC}/2, R_S = 50\ \Omega, R_P = 1\ \text{M}\Omega$      | $T_A = 25^\circ\text{C}$                 | 20                       | 100  |     | pA                           |
|                                     |   |   | Full range                               |                          | 1000 |     |                              |
| $I_{IB}$                            | Input bias current                              | $V_{IC} = V_{CC}/2, R_S = 50\ \Omega, R_P = 1\ \text{M}\Omega$      | $T_A = 25^\circ\text{C}$                 | 80                       | 250  |     | pA                           |
|                                     |   |   | Full range                               |                          | 1500 |     |                              |
| $r_{i(d)}$                          | Differential input resistance                   |   | $T_A = 25^\circ\text{C}$                 | 300                      |      |     | $\text{M}\Omega$             |
| $I_{OZ}$                            | High-impedance output leakage current           | $V_{IC} = V_{CC}/2, V_O = V_{CC}, V_{ID} = 1\ \text{V}$             | $T_A = 25^\circ\text{C}$                 |                          | 50   |     | pA                           |
| $V_{OL}$                            | Low-level output voltage                        | $V_{IC} = V_{CC}/2, I_{OL} = 2\ \mu\text{A}, V_{ID} = -1\ \text{V}$ | $T_A = 25^\circ\text{C}$                 | 8                        |      |     | mV                           |
|                                     |   |   | $T_A = 25^\circ\text{C}$                 | 80                       | 200  |     |                              |
|                                     |   |   | Full range                               |                          | 300  |     |                              |
| <b>POWER SUPPLY</b>                 |   |   |  |                          |      |     |                              |
| $I_{CC}$                            | Supply current (per channel)                    | $R_P = \text{no pullup}$  | Output state low                         | $T_A = 25^\circ\text{C}$ | 470  | 550 | nA                           |
|                                     |   |   |  | Full range               |      | 750 |                              |
|                                     |   |   | Output state high                        | $T_A = 25^\circ\text{C}$ | 560  | 640 |                              |
|                                     |   |   |  | Full range               |      | 950 |                              |
| PSRR                                | Power-supply rejection ratio                    | $V_{IC} = V_{CC}/2, \text{no load}$                                 | $V_{CC} = 2.7\ \text{V to } 5\ \text{V}$ | $T_A = 25^\circ\text{C}$ | 75   | 100 | dB                           |
|                                     |   |   |  | Full range               | 70   |     |                              |
|                                     |   |   | $V_{CC} = 5\ \text{V to } 15\ \text{V}$  | $T_A = 25^\circ\text{C}$ | 85   | 105 |                              |
|                                     |   |   |  | Full range               | 80   |     |                              |

(1) Full range is  $0^\circ\text{C to } 70^\circ\text{C}$  for the C-suffix and  $-40^\circ\text{C to } 125^\circ\text{C}$  for the I-suffix. If not specified, full range is  $-40^\circ\text{C to } 125^\circ\text{C}$ .

## 7.8 Switching Characteristics

At  $T_A = 25^\circ\text{C}$ , recommended operating conditions, and  $V_{CC} = 2.7\ \text{V}, 5\ \text{V}, 15\ \text{V}$ , unless otherwise noted.

| PARAMETER   |  | TEST CONDITIONS  | $T_A$                    | MIN                      | TYP | MAX | UNIT          |
|-------------|--|--|--------------------------|--------------------------|-----|-----|---------------|
| $t_{(PLH)}$ | Propagation delay time, low-to-high-level output | $f = 10\ \text{kHz}, V_{STEP} = 1\ \text{V}, R_P = 1\ \text{M}\Omega, C_L = 10\ \text{pF}$ | Overdrive = 2 mV         | $T_A = 25^\circ\text{C}$ | 175 |     | $\mu\text{s}$ |
|             |  |  | Overdrive = 10 mV        | $T_A = 25^\circ\text{C}$ | 80  |     |               |
|             |  |  | Overdrive = 50 mV        | $T_A = 25^\circ\text{C}$ | 55  |     |               |
| $t_{(PHL)}$ | Propagation delay time, high-to-low-level output | $f = 10\ \text{kHz}, V_{STEP} = 1\ \text{V}, R_P = 1\ \text{M}\Omega, C_L = 10\ \text{pF}$ | Overdrive = 2 mV         | $T_A = 25^\circ\text{C}$ | 300 |     | $\mu\text{s}$ |
|             |  |  | Overdrive = 10 mV        | $T_A = 25^\circ\text{C}$ | 60  |     |               |
|             |  |  | Overdrive = 50 mV        | $T_A = 25^\circ\text{C}$ | 30  |     |               |
| $t_F$       | Fall time  | $R_P = 1\ \text{M}\Omega, C_L = 10\ \text{pF}$   | $T_A = 25^\circ\text{C}$ |                          | 5   |     | $\mu\text{s}$ |



## 7.9 Typical Characteristics

Table 1. Table of Graphs

| DESCRIPTION                    |  | FIGURE NO.                      |
|--------------------------------|--|---------------------------------|
| Input bias/offset current      | vs Free-air temperature  | Figure 1                        |
| Open collector leakage current | vs Free-air temperature  | Figure 2                        |
| $V_{OL}$                       | Low-level output voltage vs Low-level output current           | Figure 3, Figure 4, Figure 5    |
| $I_{DD}$                       | Supply current vs Supply voltage                               | Figure 6                        |
| $I_{DD}$                       | Supply current vs Free-air temperature                         | Figure 7                        |
|                                | Low-to-high level output response for various input overdrives | Figure 8, Figure 9, Figure 10   |
|                                | High-to-low level output response for various input overdrives | Figure 11, Figure 12, Figure 13 |
| Output fall time               | vs Supply voltage  | Figure 14                       |

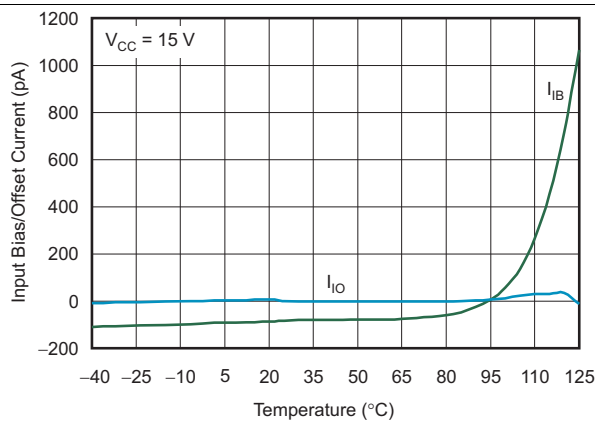


Figure 1. Input Bias/Offset Current vs Free-Air Temperature

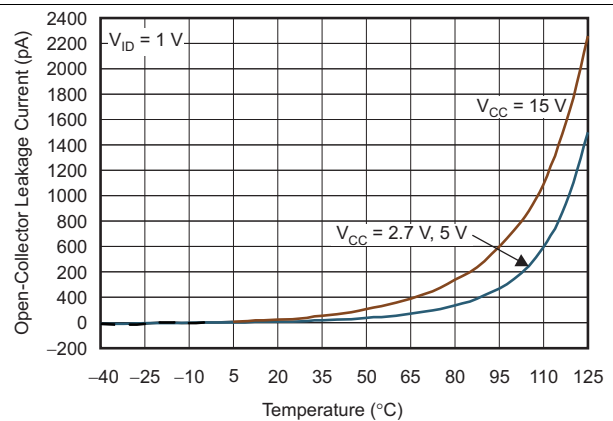


Figure 2. Open-Collector Leakage Current vs Free-Air Temperature

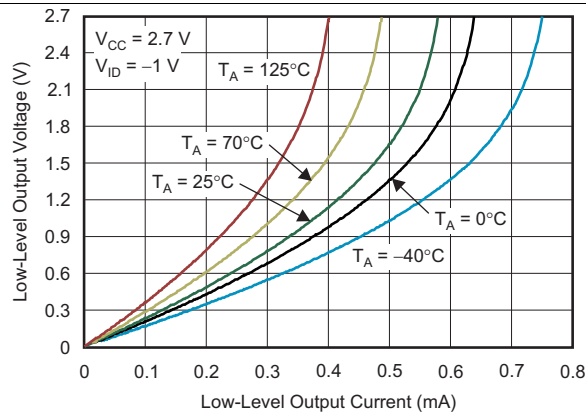


Figure 3. Low-Level Output Voltage vs Low-Level Output Current

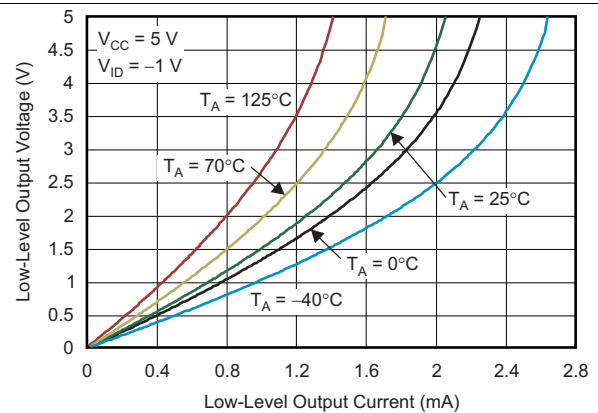
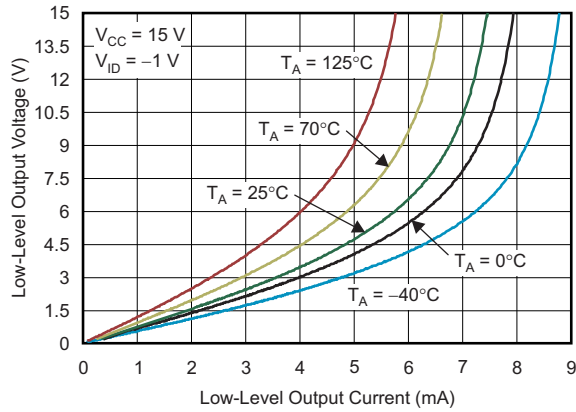
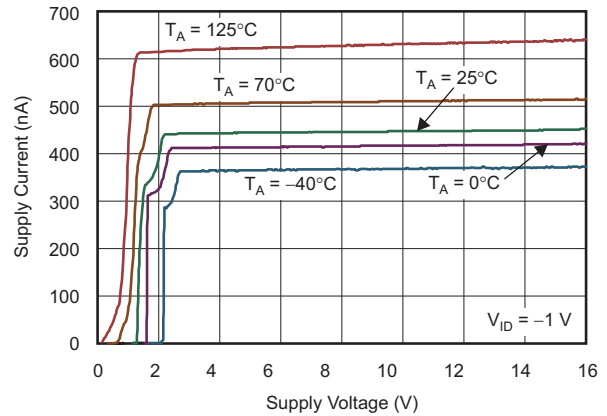


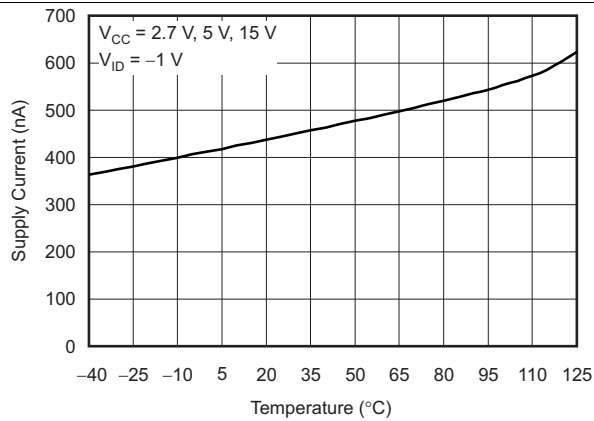
Figure 4. Low-Level Output Voltage vs Low-Level Output Current



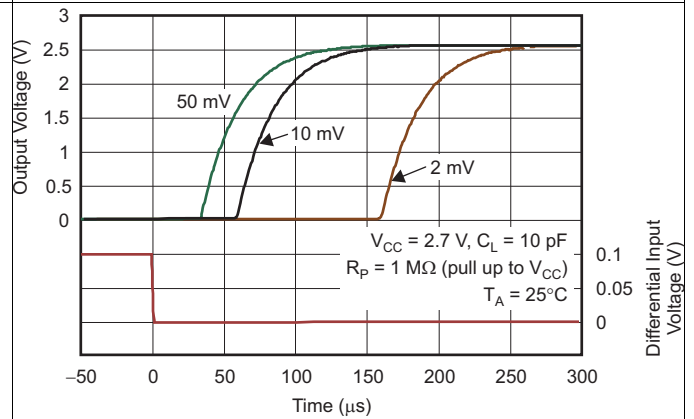
**Figure 5. Low-Level Output Voltage vs Low-Level Output Current**



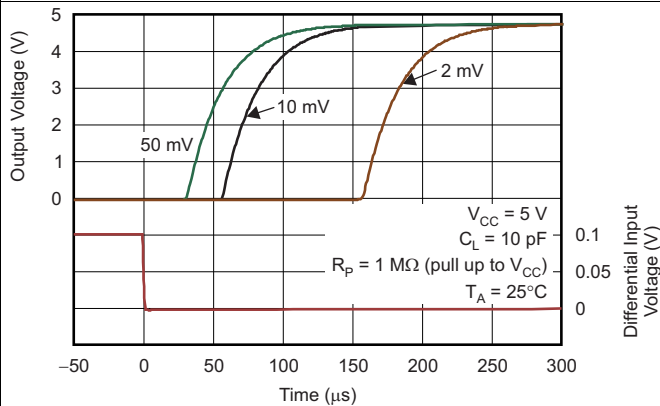
**Figure 6. Supply Current vs Supply Voltage**



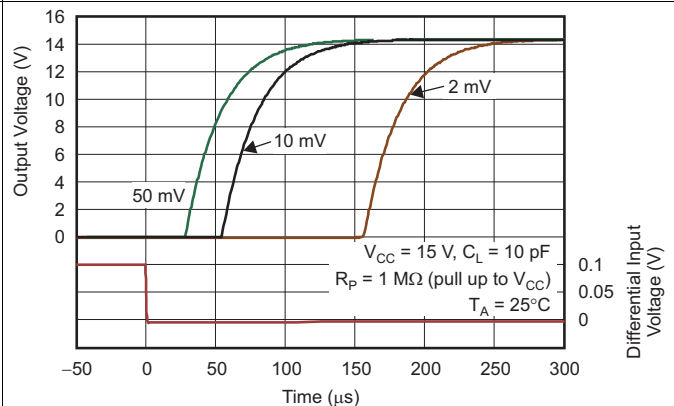
**Figure 7. Supply Current vs Free-Air Temperature**



**Figure 8. Low-to-High Level Output Response for Various Input Overdrives**



**Figure 9. Low-to-High Level Output Response for Various Input Overdrives**



**Figure 10. Low-to-High Level Output Response for Various Input Overdrives**

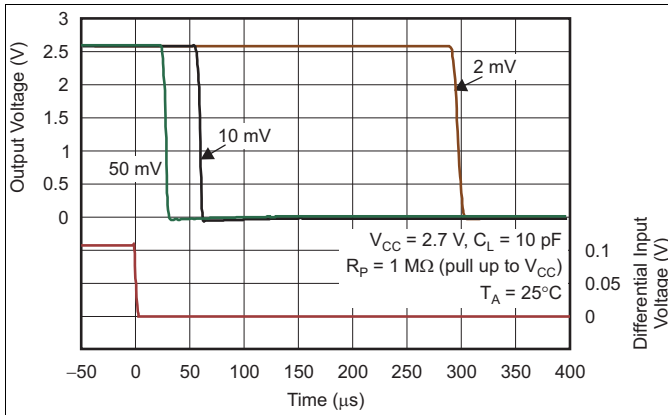


Figure 11. High-to-Low Level Output Response for Various Input Overdrives

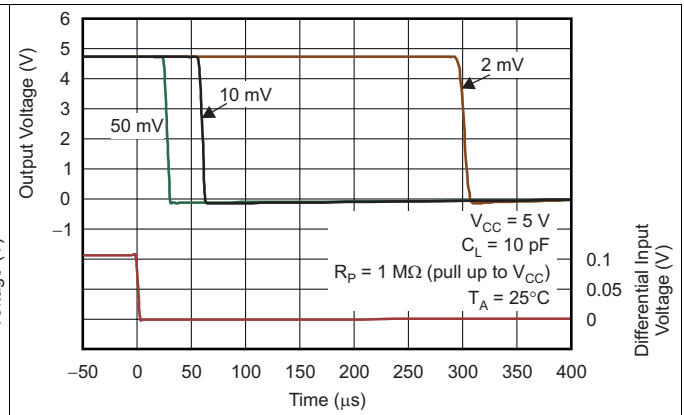


Figure 12. High-to-Low Level Output Response for Various Input Overdrives

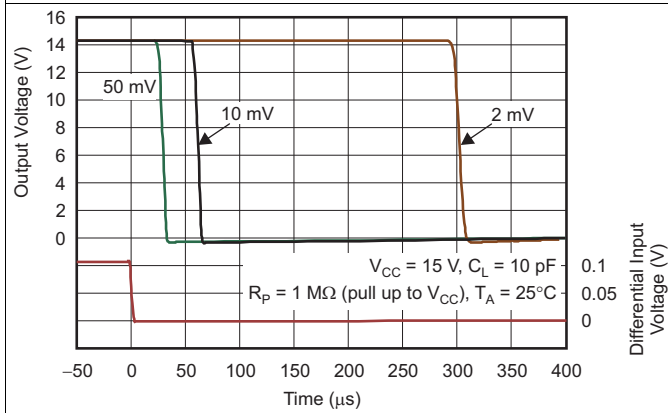


Figure 13. High-to-Low Level Output Response for Various Input Overdrives

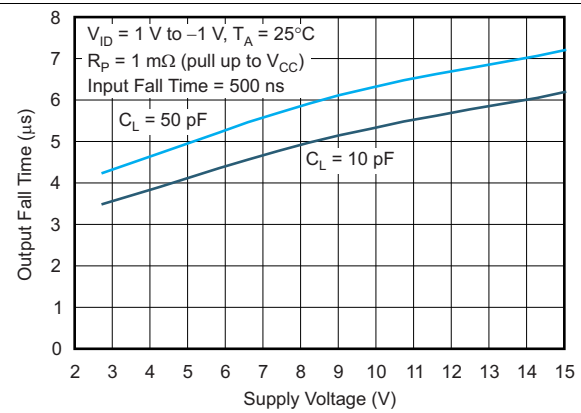


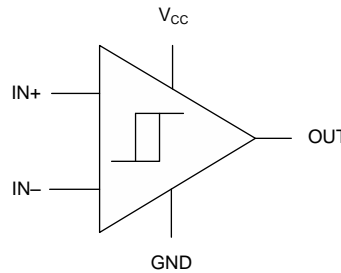
Figure 14. Output Fall Time vs Supply Voltage

## 8 Detailed Description

### 8.1 Overview

The TLV340x is a family of nanopower comparators drawing only 470 nA per channel supply current. Having a minimum operating supply voltage of 2.7 V over the extended industrial temperature range ( $T_A = -40^\circ\text{C}$  to  $+125^\circ\text{C}$ ), while having an input common-mode range of  $-0.1$  to  $V_{CC} + 5$  V makes this device ideal for battery-powered and wireless handset applications.

### 8.2 Functional Block Diagram



Copyright © 2016, Texas Instruments Incorporated

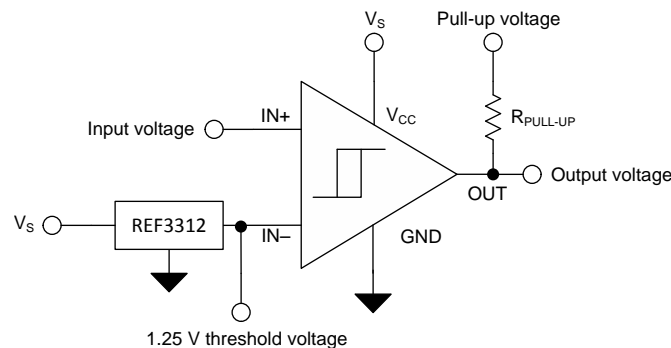
### 8.3 Feature Description

#### 8.3.1 Operating Voltage

The TLV340x comparators are specified for use on a single supply from 2.5 V to 16 V (or a dual supply from  $\pm 1.25$  V to  $\pm 16$  V) over a temperature range of  $-40^\circ\text{C}$  to  $+125^\circ\text{C}$ .

#### 8.3.2 Setting the Threshold

Using a low-power, stable reference is important when setting the transition point for the TLV340x devices. The REF3312, as shown in Figure 15, provides a 1.25-V reference voltage with low drift and only 3.9  $\mu\text{A}$  of quiescent current.



Copyright © 2016, Texas Instruments Incorporated

**Figure 15. Setting the Threshold**

### 8.4 Device Functional Modes

The TLV340x has a single functional mode and is operational when the power supply voltage applied ranges from 2.5 V ( $\pm 1.25$  V) to 16 V ( $\pm 8$  V).

## 9 Application and Implementation

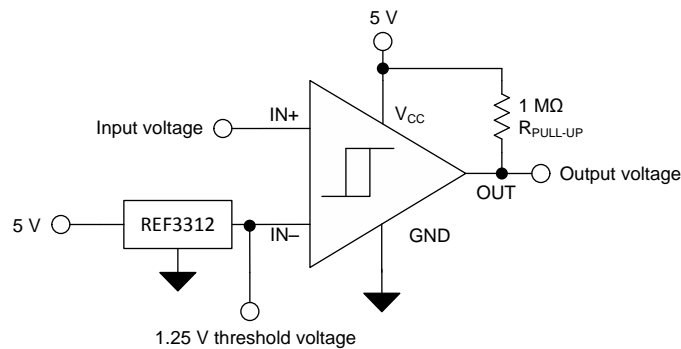
### NOTE

Information in the following applications sections is not part of the TI component specification, and TI does not warrant its accuracy or completeness. TI's customers are responsible for determining suitability of components for their purposes. Customers should validate and test their design implementation to confirm system functionality.

### 9.1 Application Information

Many applications require the detection of a signal (voltage or current) that exceeds a particular threshold voltage or current. Using a comparator to make that threshold detection is the easiest, lowest power and highest speed way to make a threshold detection.

### 9.2 Typical Application



Copyright © 2016, Texas Instruments Incorporated

**Figure 16. 1.25-V Threshold Detector**

#### 9.2.1 Design Requirements

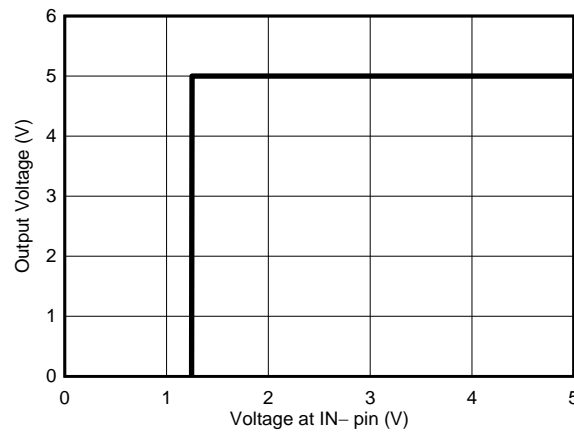
- Detect when a signal is above or below 1.25 V
- Operate from a single 5-V power supply
- Rail-to-rail input voltage range from 0 to 5 V
- Rail-to-rail output voltage range from 0 to 5 V

#### 9.2.2 Detailed Design Procedure

The input voltage range in the circuit illustrated in [Figure 16](#) is limited only by the power supply applied to the TV3401. In this example with the selection of a 5-V, single-supply power supply, the input voltage range is limited to 0 to  $V_S + 5$  V, or 0 to 10 V. The threshold voltage of 1.25 V can be derived in a variety of ways. As the TLV3401 is a very low-power device, it is desirable to also use very low power to create the threshold voltage. The REF3312 series voltage reference is selected for its stable output voltage of 1.25 V and its low power consumption of only 3.9  $\mu$ A. The TLV3401 is an open-drain output comparator, requiring a pullup resistor from output to the power supply. Proper selection of the pullup resistor value requires maximizing the output voltage swing while at the same time minimizing power dissipated in the resistor when the output voltage is low. Too small of a pullup resistor can result in too much power dissipation, while too large of a pullup resistor can result in slower response times. The TLV3401 is fully specified with a 1-M $\Omega$  pullup resistor and using a 1-M $\Omega$  pullup resistor results in meeting the performance specifications listed in the [Electrical Characteristics](#).

**Typical Application (continued)**

**9.2.3 Application Curve**



**Figure 17. Transfer Function for the Threshold Detector**

## 10 Power Supply Recommendations

The TLV340x device is specified for operation from 2.5 V to 16 V ( $\pm 1.25$  to  $\pm 8$  V); many specifications apply from  $-40^{\circ}\text{C}$  to  $+125^{\circ}\text{C}$ . Parameters that can exhibit significant variance with regard to operating voltage or temperature are presented in *Typical Characteristics*.

## 11 Layout

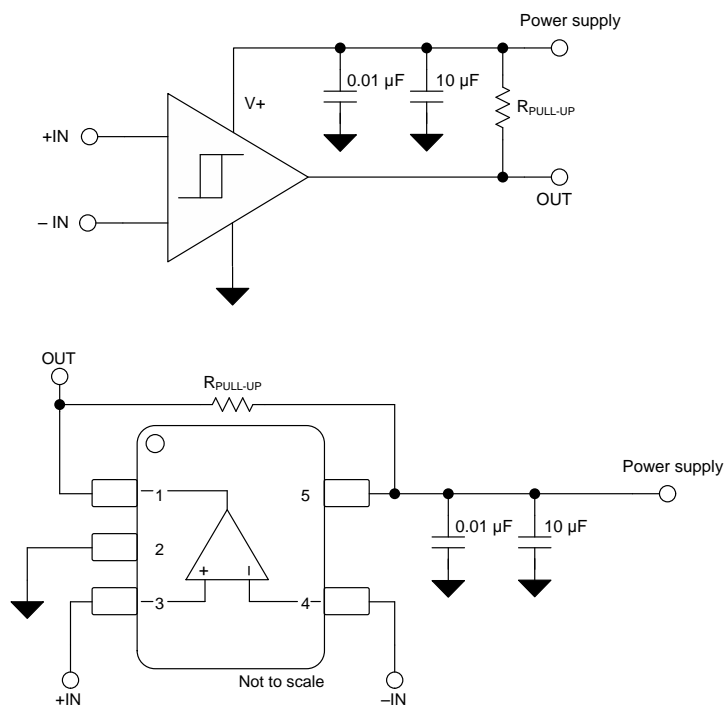
### 11.1 Layout Guidelines

Figure 18 shows the typical connections for the TLV340x. To minimize supply noise, power supplies must be capacitively decoupled by a 0.01- $\mu\text{F}$  ceramic capacitor in parallel with a 10- $\mu\text{F}$  electrolytic capacitor. Comparators are very sensitive to input noise. Proper grounding (the use of a ground plane) helps to maintain the specified performance of the TLV340x family.

For best results, maintain the following layout guidelines:

1. Use a printed-circuit board (PCB) with a good, unbroken low-inductance ground plane.
2. Place a decoupling capacitor (0.1- $\mu\text{F}$  ceramic, surface-mount capacitor) as close as possible to  $V_{\text{CC}}$ .
3. On the inputs and the output, keep lead lengths as short as possible to avoid unwanted parasitic feedback around the comparator. Keep inputs away from the output.
4. Solder the device directly to the PCB rather than using a socket.
5. For slow-moving input signals, take care to prevent parasitic feedback. A small capacitor (1000 pF or less) placed between the inputs can help eliminate oscillations in the transition region. This capacitor causes some degradation to propagation delay when the impedance is low. The top-side ground plane runs between the output and inputs.
6. The ground pin ground trace runs under the device up to the bypass capacitor, shielding the inputs from the outputs.

### 11.2 Layout Example



Copyright © 2016, Texas Instruments Incorporated

**Figure 18. TLV340x Layout Example**

## 12 Device and Documentation Support

### 12.1 Device Support

#### 12.1.1 Development Support

##### 12.1.1.1 DIP Adapter EVM

The [DIP Adapter EVM](#) tool provides an easy, low-cost way to prototype small surface mount ICs. The evaluation tool these TI packages: D or U (8-pin SOIC), PW (8-pin TSSOP), DGK (8-pin MSOP), DBV (6-pin SOT-23, 5-pin SOT23, and 3-pin SOT-23), DCK (6-pin SC-70 and 5-pin SC-70), and DRL (6-pin SOT-563). The DIP Adapter EVM may also be used with terminal strips or may be wired directly to existing circuits.

##### 12.1.1.2 Universal Op Amp EVM

The [Universal Op Amp EVM](#) is a series of general-purpose, blank circuit boards that simplify prototyping circuits for a variety of IC package types. The evaluation module board design allows many different circuits to be constructed easily and quickly. Five models are offered, with each model intended for a specific package type. PDIP, SOIC, MSOP, TSSOP, and SOT-23 packages are all supported.

---

#### NOTE

These boards are unpopulated, so users must provide their own ICs. TI recommends requesting several op amp device samples when ordering the Universal Op Amp EVM.

---

### 12.2 Documentation Support

#### 12.2.1 Related Documentation

The following documents are relevant for using the TLV340x devices and are recommended for reference. All are available for download at [www.ti.com](http://www.ti.com) (unless otherwise noted):

- [Universal Op Amp EVM User Guide](#) (SLOU060)
- [Hardware Pace using Slope Detection](#) (SLAU511)
- [Bipolar High-voltage Differential Interface for Low-voltage Comparators](#) (TIDU039)
- [AC-Coupled Single Supply Comparator](#) (SLAU505)
- [ECG Implementation on the TMS320VC5505 DSP Medical Development Kit](#) (SPRAB36)
- [REF33xx 3.9- \$\mu\$ A, SC70-3, SOT-23-3, and UQFN-8, 30-ppm/°C Drift Voltage Reference](#) (SBOS392)

#### 12.3 Related Links

[Table 2](#) lists quick access links. Categories include technical documents, support and community resources, tools and software, and quick access to sample or buy.

**Table 2. Related Links**

| PARTS   | PRODUCT FOLDER             | SAMPLE & BUY               | TECHNICAL DOCUMENTS        | TOOLS & SOFTWARE           | SUPPORT & COMMUNITY        |
|---------|----------------------------|----------------------------|----------------------------|----------------------------|----------------------------|
| TLV3401 | <a href="#">Click here</a> | <a href="#">Click here</a> | <a href="#">Click here</a> | <a href="#">Click here</a> | <a href="#">Click here</a> |
| TLV3402 | <a href="#">Click here</a> | <a href="#">Click here</a> | <a href="#">Click here</a> | <a href="#">Click here</a> | <a href="#">Click here</a> |
| TLV3404 | <a href="#">Click here</a> | <a href="#">Click here</a> | <a href="#">Click here</a> | <a href="#">Click here</a> | <a href="#">Click here</a> |

### 12.4 Receiving Notification of Documentation Updates

To receive notification of documentation updates, navigate to the device product folder on [ti.com](http://ti.com). In the upper right corner, click on *Alert me* to register and receive a weekly digest of any product information that has changed. For change details, review the revision history included in any revised document.



## 12.5 Community Resource

The following links connect to TI community resources. Linked contents are provided "AS IS" by the respective contributors. They do not constitute TI specifications and do not necessarily reflect TI's views; see TI's [Terms of Use](#).

**TI E2E™ Online Community** *TI's Engineer-to-Engineer (E2E) Community*. Created to foster collaboration among engineers. At [e2e.ti.com](http://e2e.ti.com), you can ask questions, share knowledge, explore ideas and help solve problems with fellow engineers.

**Design Support** *TI's Design Support* Quickly find helpful E2E forums along with design support tools and contact information for technical support.

## 12.6 Trademarks

E2E is a trademark of Texas Instruments.  
All other trademarks are the property of their respective owners.

## 12.7 Electrostatic Discharge Caution



These devices have limited built-in ESD protection. The leads should be shorted together or the device placed in conductive foam during storage or handling to prevent electrostatic damage to the MOS gates.

## 12.8 Glossary

[SLYZ022](#) — *TI Glossary*.

This glossary lists and explains terms, acronyms, and definitions.

## 13 Mechanical, Packaging, and Orderable Information

The following pages include mechanical, packaging, and orderable information. This information is the most current data available for the designated devices. This data is subject to change without notice and revision of this document. For browser-based versions of this data sheet, refer to the left-hand navigation.

**PACKAGING INFORMATION**

| Orderable Device | Status<br>(1) | Package Type | Package Drawing | Pins | Package Qty | Eco Plan<br>(2) | Lead finish/<br>Ball material<br>(6) | MSL Peak Temp<br>(3) | Op Temp (°C) | Device Marking<br>(4/5) | Samples                 |
|------------------|---------------|--------------|-----------------|------|-------------|-----------------|--------------------------------------|----------------------|--------------|-------------------------|-------------------------|
| TLV3401CD        | ACTIVE        | SOIC         | D               | 8    | 75          | RoHS & Green    | NIPDAU                               | Level-1-260C-UNLIM   | 0 to 70      | 3401C                   | <a href="#">Samples</a> |
| TLV3401CDBVR     | OBSOLETE      | SOT-23       | DBV             | 5    |             | TBD             | Call TI                              | Call TI              | 0 to 70      | VBDC                    |                         |
| TLV3401CDBVT     | OBSOLETE      | SOT-23       | DBV             | 5    |             | TBD             | Call TI                              | Call TI              | 0 to 70      | VBDC                    |                         |
| TLV3401ID        | ACTIVE        | SOIC         | D               | 8    | 75          | RoHS & Green    | NIPDAU                               | Level-1-260C-UNLIM   | -40 to 125   | 3401I                   | <a href="#">Samples</a> |
| TLV3401IDBVR     | ACTIVE        | SOT-23       | DBV             | 5    | 3000        | RoHS & Green    | NIPDAU                               | Level-1-260C-UNLIM   | -40 to 125   | VBDI                    | <a href="#">Samples</a> |
| TLV3401IDBVRG4   | ACTIVE        | SOT-23       | DBV             | 5    | 3000        | TBD             | Call TI                              | Call TI              | -40 to 125   |                         | <a href="#">Samples</a> |
| TLV3401IDBVT     | OBSOLETE      | SOT-23       | DBV             | 5    |             | TBD             | Call TI                              | Call TI              | -40 to 125   | VBDI                    |                         |
| TLV3401IDR       | ACTIVE        | SOIC         | D               | 8    | 2500        | RoHS & Green    | NIPDAU                               | Level-1-260C-UNLIM   | -40 to 125   | 3401I                   | <a href="#">Samples</a> |
| TLV3401IP        | ACTIVE        | PDIP         | P               | 8    | 50          | RoHS & Green    | NIPDAU                               | N / A for Pkg Type   | -40 to 125   | TLV3401I                | <a href="#">Samples</a> |
| TLV3402CD        | OBSOLETE      | SOIC         | D               | 8    |             | TBD             | Call TI                              | Call TI              | 0 to 70      | 3402C                   |                         |
| TLV3402CDGK      | OBSOLETE      | VSSOP        | DGK             | 8    |             | TBD             | Call TI                              | Call TI              | 0 to 70      | AJJ                     |                         |
| TLV3402CDGKR     | OBSOLETE      | VSSOP        | DGK             | 8    |             | TBD             | Call TI                              | Call TI              | 0 to 70      | AJJ                     |                         |
| TLV3402CDR       | OBSOLETE      | SOIC         | D               | 8    |             | TBD             | Call TI                              | Call TI              | 0 to 70      | 3402C                   |                         |
| TLV3402ID        | OBSOLETE      | SOIC         | D               | 8    |             | TBD             | Call TI                              | Call TI              | -40 to 125   | 3402I                   |                         |
| TLV3402IDGK      | OBSOLETE      | VSSOP        | DGK             | 8    |             | TBD             | Call TI                              | Call TI              | -40 to 125   | AJK                     |                         |
| TLV3402IDGKR     | ACTIVE        | VSSOP        | DGK             | 8    | 2500        | RoHS & Green    | NIPDAU   NIPDAUAG                    | Level-1-260C-UNLIM   | -40 to 125   | AJK                     | <a href="#">Samples</a> |
| TLV3402IDR       | ACTIVE        | SOIC         | D               | 8    | 2500        | RoHS & Green    | NIPDAU                               | Level-1-260C-UNLIM   | -40 to 125   | 3402I                   | <a href="#">Samples</a> |
| TLV3402IDRG4     | ACTIVE        | SOIC         | D               | 8    | 2500        | TBD             | Call TI                              | Call TI              | -40 to 125   |                         | <a href="#">Samples</a> |
| TLV3402IP        | ACTIVE        | PDIP         | P               | 8    | 50          | RoHS & Green    | NIPDAU                               | N / A for Pkg Type   | -40 to 125   | TLV3402I                | <a href="#">Samples</a> |
| TLV3404CD        | OBSOLETE      | SOIC         | D               | 14   |             | TBD             | Call TI                              | Call TI              | 0 to 70      | 3404C                   |                         |
| TLV3404CDR       | OBSOLETE      | SOIC         | D               | 14   |             | TBD             | Call TI                              | Call TI              | 0 to 70      | 3404C                   |                         |
| TLV3404CPWR      | ACTIVE        | TSSOP        | PW              | 14   | 2000        | RoHS & Green    | NIPDAU                               | Level-1-260C-UNLIM   | 0 to 70      | 3404C                   | <a href="#">Samples</a> |
| TLV3404ID        | OBSOLETE      | SOIC         | D               | 14   |             | TBD             | Call TI                              | Call TI              | -40 to 125   | 3404I                   |                         |
| TLV3404IDR       | ACTIVE        | SOIC         | D               | 14   | 2500        | RoHS & Green    | NIPDAU                               | Level-1-260C-UNLIM   | -40 to 125   | 3404I                   | <a href="#">Samples</a> |

| Orderable Device | Status<br>(1) | Package Type | Package Drawing | Pins | Package Qty | Eco Plan<br>(2) | Lead finish/<br>Ball material<br>(6) | MSL Peak Temp<br>(3) | Op Temp (°C) | Device Marking<br>(4/5) | Samples                 |
|------------------|---------------|--------------|-----------------|------|-------------|-----------------|--------------------------------------|----------------------|--------------|-------------------------|-------------------------|
| TLV3404IN        | ACTIVE        | PDIP         | N               | 14   | 25          | RoHS & Green    | NIPDAU                               | N / A for Pkg Type   | -40 to 125   | TLV3404I                | <a href="#">Samples</a> |
| TLV3404IPW       | OBSOLETE      | TSSOP        | PW              | 14   |             | TBD             | Call TI                              | Call TI              | -40 to 125   | 3404I                   |                         |
| TLV3404IPWR      | ACTIVE        | TSSOP        | PW              | 14   | 2000        | RoHS & Green    | NIPDAU                               | Level-1-260C-UNLIM   | -40 to 125   | 3404I                   | <a href="#">Samples</a> |

(1) The marketing status values are defined as follows:

**ACTIVE:** Product device recommended for new designs.

**LIFEBUY:** TI has announced that the device will be discontinued, and a lifetime-buy period is in effect.

**NRND:** Not recommended for new designs. Device is in production to support existing customers, but TI does not recommend using this part in a new design.

**PREVIEW:** Device has been announced but is not in production. Samples may or may not be available.

**OBSOLETE:** TI has discontinued the production of the device.

(2) **RoHS:** TI defines "RoHS" to mean semiconductor products that are compliant with the current EU RoHS requirements for all 10 RoHS substances, including the requirement that RoHS substance do not exceed 0.1% by weight in homogeneous materials. Where designed to be soldered at high temperatures, "RoHS" products are suitable for use in specified lead-free processes. TI may reference these types of products as "Pb-Free".

**RoHS Exempt:** TI defines "RoHS Exempt" to mean products that contain lead but are compliant with EU RoHS pursuant to a specific EU RoHS exemption.

**Green:** TI defines "Green" to mean the content of Chlorine (Cl) and Bromine (Br) based flame retardants meet JS709B low halogen requirements of <=1000ppm threshold. Antimony trioxide based flame retardants must also meet the <=1000ppm threshold requirement.

(3) MSL, Peak Temp. - The Moisture Sensitivity Level rating according to the JEDEC industry standard classifications, and peak solder temperature.

(4) There may be additional marking, which relates to the logo, the lot trace code information, or the environmental category on the device.

(5) Multiple Device Markings will be inside parentheses. Only one Device Marking contained in parentheses and separated by a "~" will appear on a device. If a line is indented then it is a continuation of the previous line and the two combined represent the entire Device Marking for that device.

(6) Lead finish/Ball material - Orderable Devices may have multiple material finish options. Finish options are separated by a vertical ruled line. Lead finish/Ball material values may wrap to two lines if the finish value exceeds the maximum column width.

**Important Information and Disclaimer:** The information provided on this page represents TI's knowledge and belief as of the date that it is provided. TI bases its knowledge and belief on information provided by third parties, and makes no representation or warranty as to the accuracy of such information. Efforts are underway to better integrate information from third parties. TI has taken and continues to take reasonable steps to provide representative and accurate information but may not have conducted destructive testing or chemical analysis on incoming materials and chemicals. TI and TI suppliers consider certain information to be proprietary, and thus CAS numbers and other limited information may not be available for release.

In no event shall TI's liability arising out of such information exceed the total purchase price of the TI part(s) at issue in this document sold by TI to Customer on an annual basis.

**TAPE AND REEL INFORMATION**

**QUADRANT ASSIGNMENTS FOR PIN 1 ORIENTATION IN TAPE**


\*All dimensions are nominal

| Device       | Package Type | Package Drawing | Pins | SPQ  | Reel Diameter (mm) | Reel Width W1 (mm) | A0 (mm) | B0 (mm) | K0 (mm) | P1 (mm) | W (mm) | Pin1 Quadrant |
|--------------|--------------|-----------------|------|------|--------------------|--------------------|---------|---------|---------|---------|--------|---------------|
| TLV3401IDBVR | SOT-23       | DBV             | 5    | 3000 | 180.0              | 8.4                | 3.2     | 3.2     | 1.4     | 4.0     | 8.0    | Q3            |
| TLV3401IDBVR | SOT-23       | DBV             | 5    | 3000 | 180.0              | 8.4                | 3.2     | 3.2     | 1.4     | 4.0     | 8.0    | Q3            |
| TLV3401IDR   | SOIC         | D               | 8    | 2500 | 330.0              | 12.4               | 6.4     | 5.2     | 2.1     | 8.0     | 12.0   | Q1            |
| TLV3402IDGKR | VSSOP        | DGK             | 8    | 2500 | 330.0              | 12.4               | 5.3     | 3.4     | 1.4     | 8.0     | 12.0   | Q1            |
| TLV3402IDGKR | VSSOP        | DGK             | 8    | 2500 | 330.0              | 12.4               | 5.3     | 3.4     | 1.4     | 8.0     | 12.0   | Q1            |
| TLV3402IDR   | SOIC         | D               | 8    | 2500 | 330.0              | 12.4               | 6.4     | 5.2     | 2.1     | 8.0     | 12.0   | Q1            |
| TLV3402IDR   | SOIC         | D               | 8    | 2500 | 330.0              | 12.4               | 6.4     | 5.2     | 2.1     | 8.0     | 12.0   | Q1            |
| TLV3404CPWR  | TSSOP        | PW              | 14   | 2000 | 330.0              | 12.4               | 6.9     | 5.6     | 1.6     | 8.0     | 12.0   | Q1            |
| TLV3404IDR   | SOIC         | D               | 14   | 2500 | 330.0              | 16.4               | 6.5     | 9.0     | 2.1     | 8.0     | 16.0   | Q1            |
| TLV3404IPWR  | TSSOP        | PW              | 14   | 2000 | 330.0              | 12.4               | 6.9     | 5.6     | 1.6     | 8.0     | 12.0   | Q1            |
| TLV3404IPWR  | TSSOP        | PW              | 14   | 2000 | 330.0              | 12.4               | 6.9     | 5.6     | 1.6     | 8.0     | 12.0   | Q1            |

## TAPE AND REEL BOX DIMENSIONS



\*All dimensions are nominal

| Device       | Package Type | Package Drawing | Pins | SPQ  | Length (mm) | Width (mm) | Height (mm) |
|--------------|--------------|-----------------|------|------|-------------|------------|-------------|
| TLV3401IDBVR | SOT-23       | DBV             | 5    | 3000 | 210.0       | 185.0      | 35.0        |
| TLV3401IDBVR | SOT-23       | DBV             | 5    | 3000 | 210.0       | 185.0      | 35.0        |
| TLV3401IDR   | SOIC         | D               | 8    | 2500 | 340.5       | 338.1      | 20.6        |
| TLV3402IDGKR | VSSOP        | DGK             | 8    | 2500 | 358.0       | 335.0      | 35.0        |
| TLV3402IDGKR | VSSOP        | DGK             | 8    | 2500 | 364.0       | 364.0      | 27.0        |
| TLV3402IDR   | SOIC         | D               | 8    | 2500 | 353.0       | 353.0      | 32.0        |
| TLV3402IDR   | SOIC         | D               | 8    | 2500 | 353.0       | 353.0      | 32.0        |
| TLV3404CPWR  | TSSOP        | PW              | 14   | 2000 | 356.0       | 356.0      | 35.0        |
| TLV3404IDR   | SOIC         | D               | 14   | 2500 | 356.0       | 356.0      | 35.0        |
| TLV3404IPWR  | TSSOP        | PW              | 14   | 2000 | 353.0       | 353.0      | 32.0        |
| TLV3404IPWR  | TSSOP        | PW              | 14   | 2000 | 356.0       | 356.0      | 35.0        |

**TUBE**


\*All dimensions are nominal

| Device    | Package Name | Package Type | Pins | SPQ | L (mm) | W (mm) | T (μm) | B (mm) |
|-----------|--------------|--------------|------|-----|--------|--------|--------|--------|
| TLV3401CD | D            | SOIC         | 8    | 75  | 507    | 8      | 3940   | 4.32   |
| TLV3401ID | D            | SOIC         | 8    | 75  | 507    | 8      | 3940   | 4.32   |
| TLV3401IP | P            | PDIP         | 8    | 50  | 506    | 13.97  | 11230  | 4.32   |
| TLV3402IP | P            | PDIP         | 8    | 50  | 506    | 13.97  | 11230  | 4.32   |
| TLV3404IN | N            | PDIP         | 14   | 25  | 506    | 13.97  | 11230  | 4.32   |



# D0014A

# PACKAGE OUTLINE

## SOIC - 1.75 mm max height

SMALL OUTLINE INTEGRATED CIRCUIT



4220718/A 09/2016

### NOTES:

1. All linear dimensions are in millimeters. Dimensions in parenthesis are for reference only. Dimensioning and tolerancing per ASME Y14.5M.
2. This drawing is subject to change without notice.
3. This dimension does not include mold flash, protrusions, or gate burrs. Mold flash, protrusions, or gate burrs shall not exceed 0.15 mm, per side.
4. This dimension does not include interlead flash. Interlead flash shall not exceed 0.43 mm, per side.
5. Reference JEDEC registration MS-012, variation AB.

# EXAMPLE BOARD LAYOUT

D0014A

SOIC - 1.75 mm max height

SMALL OUTLINE INTEGRATED CIRCUIT



LAND PATTERN EXAMPLE  
SCALE:8X



SOLDER MASK DETAILS

4220718/A 09/2016

NOTES: (continued)

- 6. Publication IPC-7351 may have alternate designs.
- 7. Solder mask tolerances between and around signal pads can vary based on board fabrication site.



# EXAMPLE STENCIL DESIGN

D0014A

SOIC - 1.75 mm max height

SMALL OUTLINE INTEGRATED CIRCUIT



SOLDER PASTE EXAMPLE  
BASED ON 0.125 mm THICK STENCIL  
SCALE:8X

4220718/A 09/2016

NOTES: (continued)

8. Laser cutting apertures with trapezoidal walls and rounded corners may offer better paste release. IPC-7525 may have alternate design recommendations.
9. Board assembly site may have different recommendations for stencil design.



D0008A

# PACKAGE OUTLINE

SOIC - 1.75 mm max height

SMALL OUTLINE INTEGRATED CIRCUIT



4214825/C 02/2019

NOTES:

- Linear dimensions are in inches [millimeters]. Dimensions in parenthesis are for reference only. Controlling dimensions are in inches. Dimensioning and tolerancing per ASME Y14.5M.
- This drawing is subject to change without notice.
- This dimension does not include mold flash, protrusions, or gate burrs. Mold flash, protrusions, or gate burrs shall not exceed  $.006$  [0.15] per side.
- This dimension does not include interlead flash.
- Reference JEDEC registration MS-012, variation AA.

# EXAMPLE BOARD LAYOUT

D0008A

SOIC - 1.75 mm max height

SMALL OUTLINE INTEGRATED CIRCUIT



LAND PATTERN EXAMPLE  
EXPOSED METAL SHOWN  
SCALE:8X



SOLDER MASK DETAILS

4214825/C 02/2019

NOTES: (continued)

- 6. Publication IPC-7351 may have alternate designs.
- 7. Solder mask tolerances between and around signal pads can vary based on board fabrication site.

# EXAMPLE STENCIL DESIGN

D0008A

SOIC - 1.75 mm max height

SMALL OUTLINE INTEGRATED CIRCUIT



SOLDER PASTE EXAMPLE  
BASED ON .005 INCH [0.125 MM] THICK STENCIL  
SCALE:8X

4214825/C 02/2019

NOTES: (continued)

8. Laser cutting apertures with trapezoidal walls and rounded corners may offer better paste release. IPC-7525 may have alternate design recommendations.
9. Board assembly site may have different recommendations for stencil design.

P (R-PDIP-T8)

PLASTIC DUAL-IN-LINE PACKAGE



4040082/E 04/2010

- NOTES:
- A. All linear dimensions are in inches (millimeters).
  - B. This drawing is subject to change without notice.
  - C. Falls within JEDEC MS-001 variation BA.

N (R-PDIP-T\*\*)

PLASTIC DUAL-IN-LINE PACKAGE

16 PINS SHOWN



- NOTES:
- A. All linear dimensions are in inches (millimeters).
  - B. This drawing is subject to change without notice.
  - Falls within JEDEC MS-001, except 18 and 20 pin minimum body length (Dim A).
  - The 20 pin end lead shoulder width is a vendor option, either half or full width.



NOTES:

1. All linear dimensions are in millimeters. Any dimensions in parenthesis are for reference only. Dimensioning and tolerancing per ASME Y14.5M.
2. This drawing is subject to change without notice.
3. This dimension does not include mold flash, protrusions, or gate burrs. Mold flash, protrusions, or gate burrs shall not exceed 0.15 mm per side.
4. This dimension does not include interlead flash. Interlead flash shall not exceed 0.25 mm per side.
5. Reference JEDEC registration MO-153.

# EXAMPLE BOARD LAYOUT

PW0014A

TSSOP - 1.2 mm max height

SMALL OUTLINE PACKAGE



LAND PATTERN EXAMPLE  
EXPOSED METAL SHOWN  
SCALE: 10X



4220202/B 12/2023

NOTES: (continued)

- 6. Publication IPC-7351 may have alternate designs.
- 7. Solder mask tolerances between and around signal pads can vary based on board fabrication site.



# EXAMPLE STENCIL DESIGN

PW0014A

TSSOP - 1.2 mm max height

SMALL OUTLINE PACKAGE



SOLDER PASTE EXAMPLE  
BASED ON 0.125 mm THICK STENCIL  
SCALE: 10X

4220202/B 12/2023

NOTES: (continued)

8. Laser cutting apertures with trapezoidal walls and rounded corners may offer better paste release. IPC-7525 may have alternate design recommendations.
9. Board assembly site may have different recommendations for stencil design.

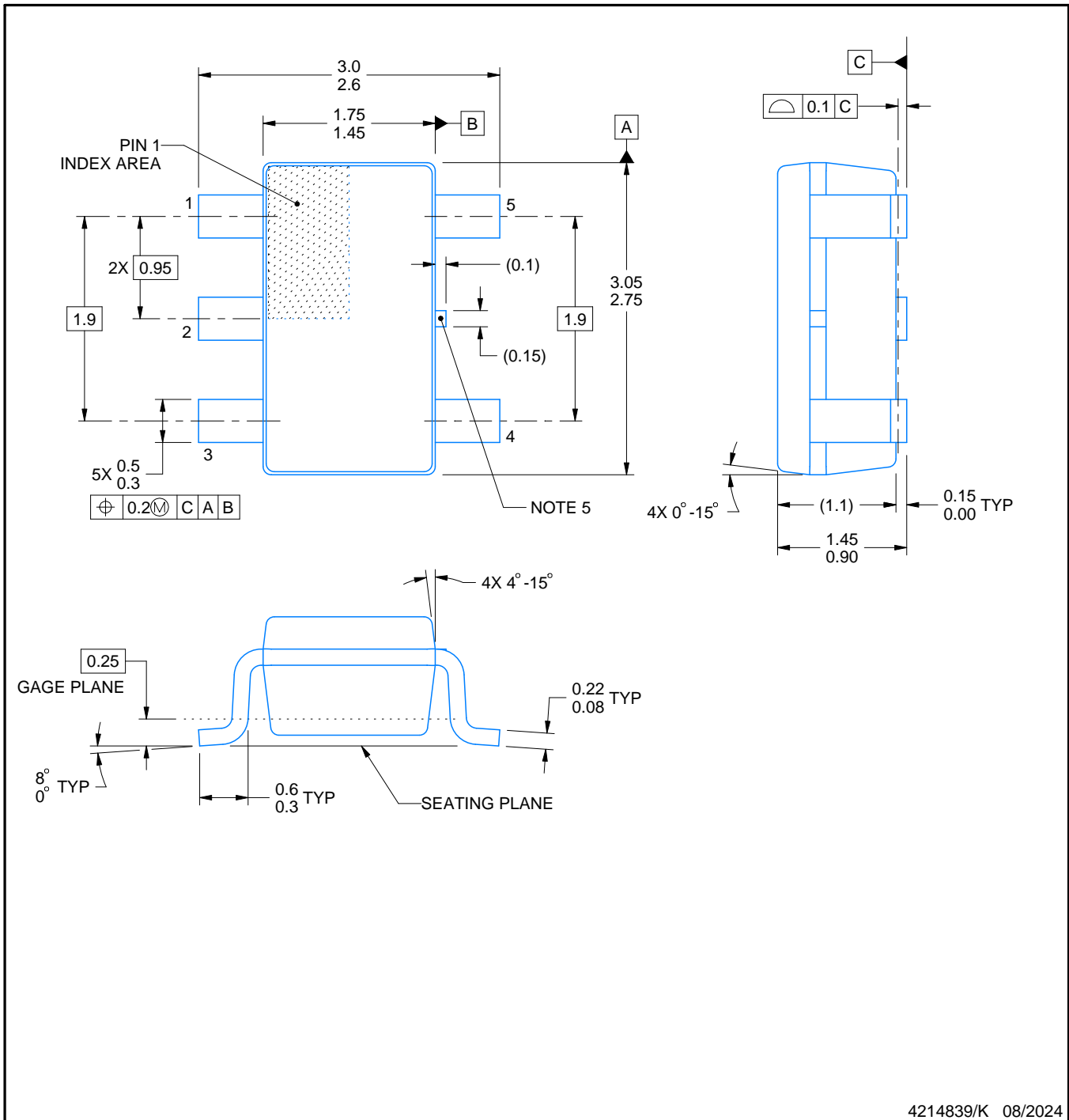
DBV0005A



PACKAGE OUTLINE

SOT-23 - 1.45 mm max height

SMALL OUTLINE TRANSISTOR



NOTES:

1. All linear dimensions are in millimeters. Any dimensions in parenthesis are for reference only. Dimensioning and tolerancing per ASME Y14.5M.
2. This drawing is subject to change without notice.
3. Reference JEDEC MO-178.
4. Body dimensions do not include mold flash, protrusions, or gate burrs. Mold flash, protrusions, or gate burrs shall not exceed 0.25 mm per side.
5. Support pin may differ or may not be present.

# EXAMPLE BOARD LAYOUT

DBV0005A

SOT-23 - 1.45 mm max height

SMALL OUTLINE TRANSISTOR



LAND PATTERN EXAMPLE  
EXPOSED METAL SHOWN  
SCALE:15X



SOLDER MASK DETAILS

4214839/K 08/2024

NOTES: (continued)

- 6. Publication IPC-7351 may have alternate designs.
- 7. Solder mask tolerances between and around signal pads can vary based on board fabrication site.

# EXAMPLE STENCIL DESIGN

DBV0005A

SOT-23 - 1.45 mm max height

SMALL OUTLINE TRANSISTOR



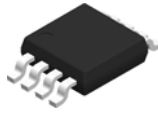
SOLDER PASTE EXAMPLE  
BASED ON 0.125 mm THICK STENCIL  
SCALE:15X

4214839/K 08/2024

NOTES: (continued)

8. Laser cutting apertures with trapezoidal walls and rounded corners may offer better paste release. IPC-7525 may have alternate design recommendations.
9. Board assembly site may have different recommendations for stencil design.

DGK0008A



# PACKAGE OUTLINE

VSSOP - 1.1 mm max height

SMALL OUTLINE PACKAGE



4214862/A 04/2023

NOTES:

PowerPAD is a trademark of Texas Instruments.

1. All linear dimensions are in millimeters. Any dimensions in parenthesis are for reference only. Dimensioning and tolerancing per ASME Y14.5M.
2. This drawing is subject to change without notice.
3. This dimension does not include mold flash, protrusions, or gate burrs. Mold flash, protrusions, or gate burrs shall not exceed 0.15 mm per side.
4. This dimension does not include interlead flash. Interlead flash shall not exceed 0.25 mm per side.
5. Reference JEDEC registration MO-187.

# EXAMPLE BOARD LAYOUT

DGK0008A

™ VSSOP - 1.1 mm max height

SMALL OUTLINE PACKAGE



LAND PATTERN EXAMPLE  
EXPOSED METAL SHOWN  
SCALE: 15X



SOLDER MASK DETAILS

4214862/A 04/2023

NOTES: (continued)

6. Publication IPC-7351 may have alternate designs.
7. Solder mask tolerances between and around signal pads can vary based on board fabrication site.
8. Vias are optional depending on application, refer to device data sheet. If any vias are implemented, refer to their locations shown on this view. It is recommended that vias under paste be filled, plugged or tented.
9. Size of metal pad may vary due to creepage requirement.

# EXAMPLE STENCIL DESIGN

DGK0008A

™ VSSOP - 1.1 mm max height

SMALL OUTLINE PACKAGE



SOLDER PASTE EXAMPLE  
SCALE: 15X

4214862/A 04/2023

NOTES: (continued)

11. Laser cutting apertures with trapezoidal walls and rounded corners may offer better paste release. IPC-7525 may have alternate design recommendations.
12. Board assembly site may have different recommendations for stencil design.

## IMPORTANT NOTICE AND DISCLAIMER

TI PROVIDES TECHNICAL AND RELIABILITY DATA (INCLUDING DATA SHEETS), DESIGN RESOURCES (INCLUDING REFERENCE DESIGNS), APPLICATION OR OTHER DESIGN ADVICE, WEB TOOLS, SAFETY INFORMATION, AND OTHER RESOURCES "AS IS" AND WITH ALL FAULTS, AND DISCLAIMS ALL WARRANTIES, EXPRESS AND IMPLIED, INCLUDING WITHOUT LIMITATION ANY IMPLIED WARRANTIES OF MERCHANTABILITY, FITNESS FOR A PARTICULAR PURPOSE OR NON-INFRINGEMENT OF THIRD PARTY INTELLECTUAL PROPERTY RIGHTS.

These resources are intended for skilled developers designing with TI products. You are solely responsible for (1) selecting the appropriate TI products for your application, (2) designing, validating and testing your application, and (3) ensuring your application meets applicable standards, and any other safety, security, regulatory or other requirements.

These resources are subject to change without notice. TI grants you permission to use these resources only for development of an application that uses the TI products described in the resource. Other reproduction and display of these resources is prohibited. No license is granted to any other TI intellectual property right or to any third party intellectual property right. TI disclaims responsibility for, and you will fully indemnify TI and its representatives against, any claims, damages, costs, losses, and liabilities arising out of your use of these resources.

TI's products are provided subject to [TI's Terms of Sale](#) or other applicable terms available either on [ti.com](https://www.ti.com) or provided in conjunction with such TI products. TI's provision of these resources does not expand or otherwise alter TI's applicable warranties or warranty disclaimers for TI products.

TI objects to and rejects any additional or different terms you may have proposed.

Mailing Address: Texas Instruments, Post Office Box 655303, Dallas, Texas 75265  
Copyright © 2024, Texas Instruments Incorporated