



IQS231A/B DATASHEET

Single Channel Capacitive Proximity/Touch Controller for SAR Applications

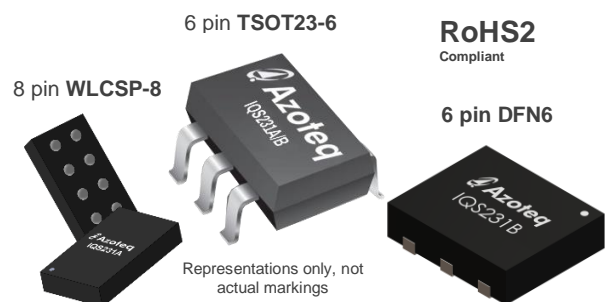
1 Device Overview

The IQS231A/B ProxSense® IC is a self-capacitance controller designed for applications where an awake/activate on proximity function is required. The IQS231A/B is an ultra-low power solution that uses unique release and/or movement detection for applications that require long-term detection. The IQS231A/B operates standalone or I²C and features configuration via OTP (One Time Programmable) bits. Switching from I²C to standalone during runtime is also possible in order to access all settings while offering the simplicity of a standalone output.

IQS231B offers alternate hardware with identical firmware to the IQS231A. IQS231B hardware offers improved temperature response and low temperature range.

1.1 Main Features

- > Integrated SAR user interface offering a simple GPIO output
- > Quick release detection – effectively prevent false triggers from remaining
- > Quick release sensitivity options
- > Wide range of control for sensing in high power RF environments
- > Pin compatible with devices of same package type (All ProxSense TSOT23-6 devices¹, IQS211A WLCSP-8 device)
- > 1.8V (-2%) to 3.6V Input voltage
- > Capacitive resolution down to 0.02fF
- > Capacitive load capability up to 120pF
- > External threshold adjustment pin (minimize need for pre-empted OTP adjustments)
- > Minimal external components (direct input strap)
- > Standalone failsafe mode (backwards compatible failsafe output, short pulses on output to indicate operational device)
- > Default OTP options focus on safety and passing SAR lab qualification, OTP changes offer performance advantages
- > I²C interface option (improved compatibility)
- > Extended controls in I²C mode (setup in I²C, runtime with standalone output)
- > Optional input for synchronized implementations (input to instruct IC when to sense)



- > Synchronization output – failsafe pulses may be used by the master to synchronize on. Sensing is done after each pulse
- > Synchronization input – Sensing is only done while Sync input is low
- > Low power sensing: 30Hz (default), 100Hz, 8Hz, 4Hz (sub 6uA mode)
- > Constant sampling rates during all power modes with rapidly debounced output changes
- > Advanced temperature & interference compensation option

¹ Input voltage level and pin functions may differ



1.2 Applications

- > SAR sensor
- > Hold detection for screen activation
- > Integrated hybrid designs (RF and capacitive sensing combined)
- > On-ear detection
- > Movement sensing applications (user interaction detection, anti-theft)

| T _A | DFN6 | TSOT23-6 | WLCSP-8 (1.5 x 0.9 x 0.4mm) |
|----------------|----------------|----------------|-----------------------------|
| -20°C to 85 °C | | IQS231A | IQS231A (NRFND) |
| -40°C to 85 °C | IQS231B | IQS231B | IQS231B |

1.3 Block Diagram

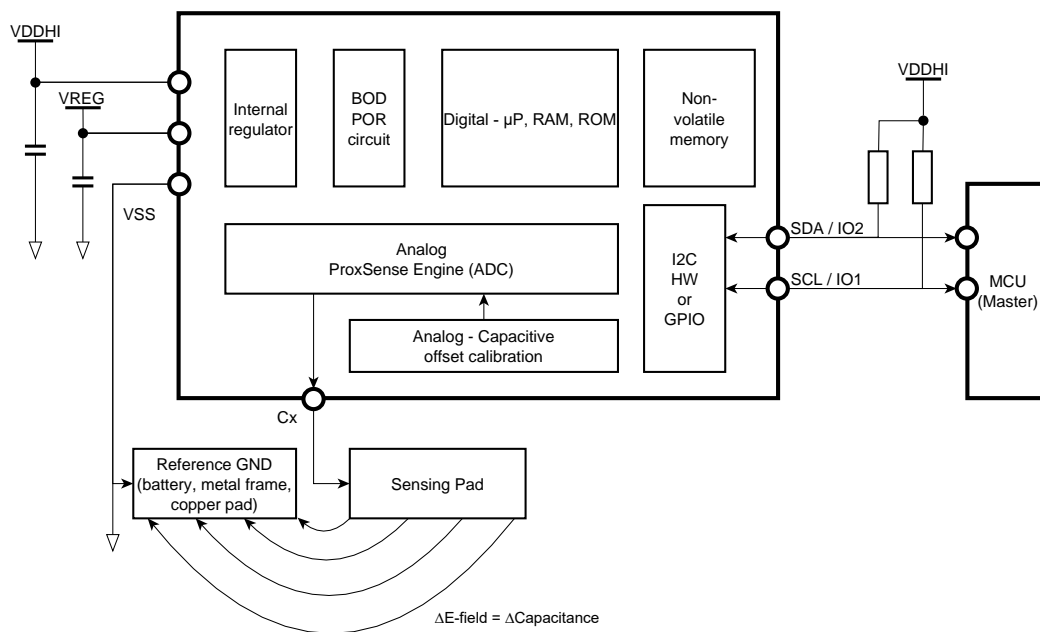


Figure 1.1 Functional Block Diagram for IQS231A/B

The IQS231A/B supports relative capacitance measurements for detecting capacitance changes.

Basic features of the IQS231A/B include:

- > Charge-transfer capacitance measurement technology (Analog ProxSense® Engine)
- > Finite state machine to automate detection and environmental compensation without MCU interaction (integrated microprocessor)
- > Self-capacitance measurements
- > Signal conditioning to provide signal gain (Analog – Capacitive offset calibration)
- > Signal conditioning to provide offset compensation for parasitic capacitance (Analog – Capacitive offset calibration)
- > Integrated calibration capacitors (Analog – Capacitive offset calibration)
- > Integrated timer for timer triggered conversions
- > Integrated LDO regulator for increased immunity to power supply noise



- > Integrated oscillator
- > Processing logic to perform measurement filtering, environmental compensation, threshold detection and movement detection



TABLE OF CONTENTS

| | |
|---|-----------|
| IQS231A/B DATASHEET | 1 |
| 1 DEVICE OVERVIEW | 1 |
| 1.1 MAIN FEATURES | 1 |
| 1.2 APPLICATIONS | 2 |
| 1.3 BLOCK DIAGRAM..... | 2 |
| 2 PACKAGING AND PIN-OUT | 8 |
| 2.1 TSOT23-6 & DFN6 | 8 |
| 2.2 WLCSP | 9 |
| 3 REFERENCE SCHEMATICS: | 10 |
| 3.1 RECOMMENDED CAPACITOR VALUES | 12 |
| 3.2 EXCEPTION TO RECOMMENDED CAPACITOR VALUES | 12 |
| 4 SUMMARY: ONE-TIME-PROGRAMMABLE (OTP) OPTIONS | 13 |
| 5 SUMMARY: PROGRAMMING REFERENCE (I²C MEMORY MAP) | 14 |
| 6 SUMMARY: FEATURES | 15 |
| 7 FEATURES: EXTENDED DETAILS | 18 |
| 7.1 AUTOMATIC TUNING IMPLEMENTATION (ATI) | 18 |
| 7.2 SENSITIVITY ADJUSTMENT | 18 |
| 8 I²C PROGRAMMING GUIDE (SUMMARY) | 19 |
| 8.1 ADD I ² C CONNECTION..... | 19 |
| 8.2 I ² C COMMAND STRUCTURE | 19 |
| 8.3 CONTROL BYTE | 20 |
| 8.4 TEST MODE (ADDRESS 0x45)..... | 20 |
| 8.5 I ² C TYPICAL SETUP..... | 20 |
| 8.6 I ² C READ (EVENT REGISTER)..... | 20 |
| 8.7 I ² C POLLING AND SENSING TIMING | 21 |
| 8.8 MOVEMENT TIME-OUT ACCURACY | 21 |
| 8.9 SAMPLING FREQUENCY VS SENSING FREQUENCY | 21 |
| 9 CONFIGURATION OPTIONS | 23 |
| 9.1 OTP DETAILS: BANK 0 | 23 |
| 9.2 OTP DETAILS: BANK 1 | 24 |
| 9.3 OTP DETAILS: BANK 2 | 25 |
| 9.4 OTP DETAILS: BANK 3 | 28 |
| 10 FULL PROGRAMMING REFERENCE | 30 |
| 11 SPECIFICATIONS | 34 |
| 11.1 ABSOLUTE MAXIMUM RATINGS | 34 |
| 11.2 I ² C TIMING SPECIFICATIONS | 38 |
| 12 PACKAGE INFORMATION | 39 |
| 12.1 TSOT23-6..... | 39 |
| 12.2 DFN-6 | 40 |
| 12.3 WLCSP-8..... | 41 |
| 13 ORDERING AND PART-NUMBER INFORMATION | 42 |
| 13.1 ORDERING INFORMATION | 42 |
| 13.2 DEVICE NUMBERING CONVENTION – TSOT23-6 | 42 |



| | | |
|-----------|---|-----------|
| 13.3 | DEVICE NUMBERING CONVENTION: 8-PIN WLCSP..... | 43 |
| 13.4 | DEVICE NUMBERING CONVENTION – DFN6..... | 44 |
| 14 | TAPE AND REEL INFORMATION..... | 45 |
| 15 | REVISION HISTORY | 46 |



List of Abbreviations

| | |
|------------------|---------------------------------|
| AC | Alternating Current |
| ATI | Automatic Tuning Implementation |
| CH | Channel |
| ESD | Electrostatic Discharge |
| GPIO | General Purpose Input/Output |
| GUI | Graphic User Interface |
| GND | Ground |
| IIR | Infinite Impulse Response |
| IO | Input/Output |
| I ² C | Inter Integrated Circuit |
| LTA | Long Term Average |
| LDO | Low-Dropout Regulator |
| MCU | Microcontroller Unit |
| NC | Not Connected |
| OTP | One Time Programmable |
| POR | Power on Reset |
| PGM | Programming Pin |
| Prox | Proximity level trigger |
| RF | Radio Frequency |
| SAR | Self Absorption Rate |
| SCL | Serial Clock |
| SDA | Serial Data |
| SNR | Signal to Noise Ratio |
| UI | User Interface |
| V _{ss} | Ground |
| VREG | Regulator Output |
| VDDHI | Supply Input |



List of Symbols

| | |
|---------|---------------------|
| A | Ampère |
| °C | Degrees Celsius |
| Hz | Hertz |
| Kbits/s | kilobits per second |
| kHz | kilohertz |
| kΩ | kilo-ohm |
| kV | kilovolt |
| μA | micro- Ampère |
| μF | micro-Farad |
| μs | microseconds |
| mA | milli-Ampère |
| mm | milli-meter |
| ms | milliseconds |
| mV | millivolt |
| min | minute |
| nA | nano-Ampère |
| ns | nanoseconds |
| Ω | Ohm |
| pF | pico-Farad |
| s | seconds |
| V | Volt |
| V/s | Volts per second |



2 Packaging and Pin-Out

2.1 TSOT23-6 & DFN6

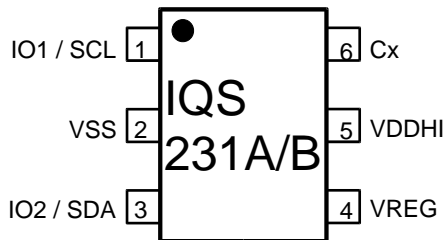


Figure 2.1 IQS231A/B TSOT23-6 Pin-out

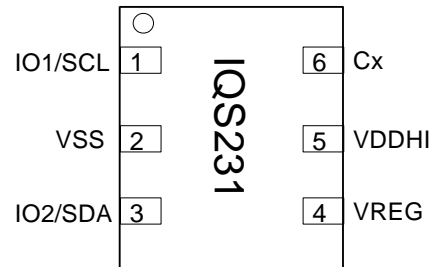


Figure 2.2 IQS231B DFN6 Pin-out

Table 2.1 TSOT23-6 and DFN-6-Pin-out Description

IQS231A/B TSOT23-6/ IQS231B DFN-6

| Pin | Name | Type | Function |
|-----|---------------|-----------------------|--|
| 1 | PRIMARY I/O | Digital Input/ Output | Multifunction IO1 / SCL (I ² C Clock signal) |
| 2 | VSS | Signal GND | |
| 3 | SECONDARY I/O | Digital Input/ Output | Multifunction IO2 / SDA (I ² C Data output) |
| 4 | VREG | Regulator output | Requires external capacitor |
| 5 | VDDHI | Supply Input | Supply:1.764V – 3.6V |
| 6 | Cx | Sense electrode | Connect to conductive area intended for sensor |

Table 2.2 Multifunction Pin Descriptions

| Multifunction name | pin | Multifunction pin option | Output type |
|--------------------|-----|--|-------------------------|
| IO1 | | Proximity output / Proximity output with heartbeat | Open-drain ² |
| IO2 | | Sensitivity input / Synchronization input / Movement output / Touch output | Open-drain ² |

² Requires pull-up resistor



2.2 WLCSP

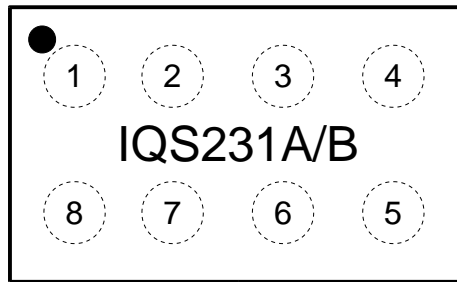


Figure 2.3 IQS231A/B 8-pin WLCSP (top view)

Table 2.3 8-pin WLCSP Pin-out description

| IQS231A 8-pin WLCSP | | | |
|---------------------|---------------|-----------------------|--|
| Pin | Name | Type | Function |
| 1 | Cx | Sense electrode | Connect to conductive area intended for sensor |
| 2 | PRIMARY I/O | Digital Input/ Output | Multifunction IO1 / SCL (I ² C Clock signal) |
| 3 | VREG | Regulator output | Requires external capacitor |
| 4 | VSS | Signal GND | |
| 5 | FLOATING IO | Digital Input/Output | Not used. Floating input during runtime. Recommended: Connect to GND |
| 6 | SECONDARY I/O | Digital Input/Output | Multifunction IO2 / SDA (I ² C Data output) |
| 7 | VDDHI | Supply Input | Supply: 1.764V – 3.6V |
| 8 | PGM | Configuration pin | Connection for OTP programming. Floating input during runtime. Recommended: Connect to GND. Connect separate pad/pin for in-circuit programming (separate modules only) |



3 Reference Schematics:

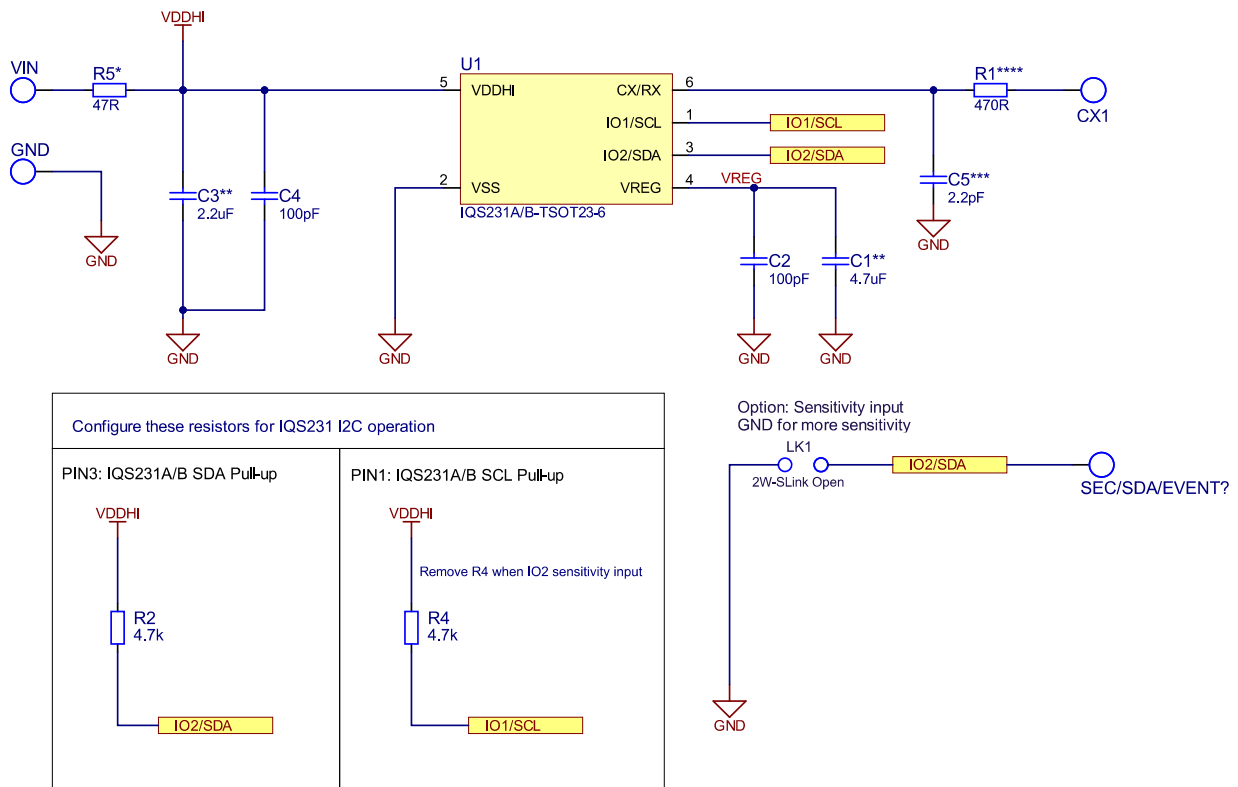


Figure 3.1 IQS231A/B TSOT23-6 and DFN-6 Reference Schematic

Footnotes:

- * R5: Place a 47Ω resistor in the VDDHI supply line to prevent a potential ESD induced latch-up. Maximum supply current should be limited to 80mA on the IQS231A/B VDDHI pin to prevent latch-up.
- ** C1 & C3: See Section 3.1 for recommended values. The target is to prevent the VREG voltage to drop more than 40mV from its regulated value during a sleep cycle (see Figure 9.1).
- ***C5: Example load of 2.2pF. This value may vary to adjust sensitivity. 1pF for higher sensitivity and up to 60pF for proximity detection use. A total load of 120pF is allowed by the sensing system.
- ****R1: Vary this value to control the RC slope of the capacitance measurement signal. Use for harmonic suppression and to enable a high impedance sensing path in a low impedance system.

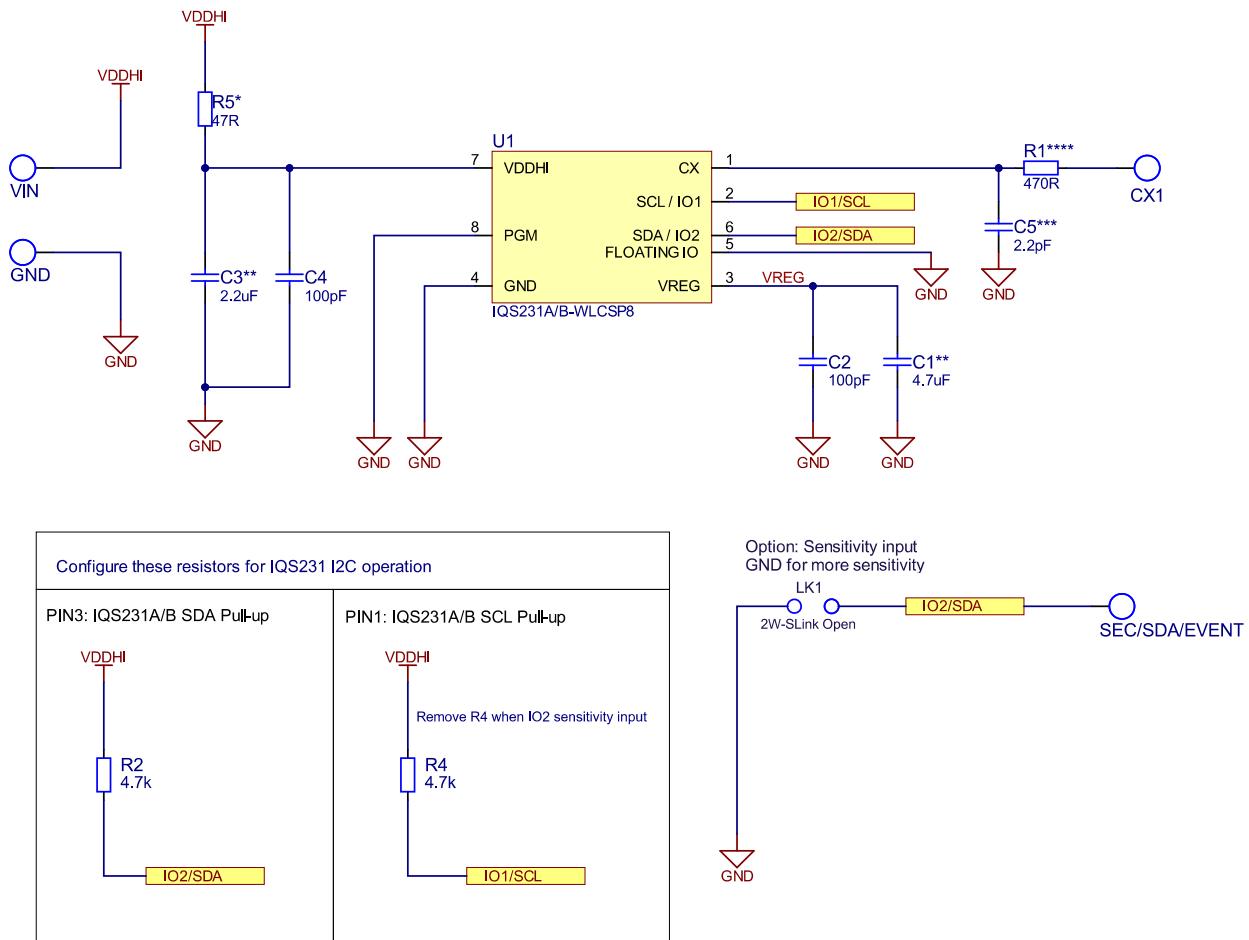


Figure 3.2 IQS231B WLCSP-8 Reference Schematic

Footnotes:

* R5: Place a 47Ω resistor in the VDDHI supply line to prevent a potential ESD induced latch-up. Maximum supply current should be limited to 80mA on the IQS231A/B VDDHI pin to prevent latch-up.

** C1 & C3: See Section 3.1 for recommended values. The target is to prevent the VREG voltage to drop more than 40mV from its regulated value during a sleep cycle (see Figure 9.1).

***C5: Example load of 2.2pF. This value may vary to adjust sensitivity. 1pF for higher sensitivity and up to 60pF for proximity detection use. A total load of 120pF is allowed by the sensing system.

****R1: Vary this value to control the RC slope of the capacitance measurement signal. Use for harmonic suppression and to enable a high impedance sensing path in a low impedance system.



3.1 Recommended Capacitor Values

The VREG capacitor value (C1) is chosen to ensure VREG remains above the maximum BOD specification stated in Table 11.3. The combination of C1 (VREG) and C3 (VDDHI) is chosen to prevent a potential ESD issue.

Known issue: In some cases, the IQS231A/B will not recover from ESD events. In cases where a high current source or regulator with low impedance path is present (a source that keeps VDDHI above the BOD level), the ESD event drains the VREG capacitor, but VDDHI voltage remains above BOD. When the ESD event is timed with the “sleep” power mode it causes a firmware run-time failure that only recovers when forcing a POR on VDDHI.

Recommended values to prevent this is shown in Table 3.1.

Table 3.1 VDDHI and VREG capacitor size recommendation to prevent ESD issues with typical hardware combinations

| | | | |
|--------------------------|----------------------------------|--------------------------------------|-------------------------------------|
| Low power scan time | 8ms (default) - 32ms | 128ms | 256ms |
| Capacitor recommendation | C1 = 1 μ F C3 = 1 μ F | C1 = 4.7 μ F C3 = 2.2 μ F | C1 = 10 μ F C3 = 2.2 μ F |

3.2 Exception to recommended capacitor values

In applications where the VDDHI source has high internal resistance or a high resistance path, it will be required to ensure C3 > C1 to prevent a VDDHI BOD after the IC sleep cycle (see Table 11.3)

Table 3.2 Capacitor Values for VDDHI (C3) and VREG (C1) under certain supply voltage conditions

| | | | |
|--------------------------|----------------------------------|-------------------------------------|------------------------------------|
| Low power scan time | 8ms (default) - 32ms | 128ms | 256ms |
| Capacitor recommendation | C1 = 1 μ F C3 = 1 μ F | C1 = 4.7 μ F C3 = 10 μ F | C1 = 10 μ F C3 = 10 μ F |



4 Summary: One-Time-Programmable (OTP) Options

| OTP bank 0 IQS231A/B 000000xx TSR | | | | | | | |
|--|---------------------------------------|---|---|---|-----------------------------|---|-------|
| Bit7 | 6 | 5 | 4 | 3 | 2 | 1 | Bit 0 |
| Movement time-out | | Reserved | Movement threshold | Quick threshold | release | Quick release beta | |
| Prox no mov UI 00 – 2s 01 – 5s 10 – 10s 11 – Disabled (0s) Prox&Mov Uis 00 – 10s 01 – 30s 10 – 60s 11 – 10min *See time-out accuracy section | | n/a | 0 – 4 counts 1 – 6 counts | 00 – moderate counts 01 – strict 10 – relaxed 11 – very strict | 100 150 50 250 | 00 – 2 (fast following) 01 – 3 10 – 4 11 – 5 (slow following) | |
| OTP Bank 1 IQS231A/B 0000xx00 TSR | | | | | | | |
| Bit7 | 6 | 5 | 4 | 3 | 2 | 1 | Bit 0 |
| I²C address | | Proximity Threshold (low/high) | | AC Filter | | Touch threshold | |
| 00 – standalone 01 – 44H 10 – 46H 11 – 47H *See time-out accuracy section | | Sensitivity input low / Sync input active / Mov output / Touch output / Ignore input, no output 00 – 4 counts (¹ Warning) 01 – 6 10 – 8 11 – 10 Sensitivity input high (internal 20kΩ pull-up) 00 – 8 counts 01 – 10 10 – 12 11 – 14 | | 00 – 1 01 – 2 10 – 3 11 – 0 | | 00 – 32 counts 01 – 64 10 – 256 11 – 320 | |
| OTP Bank 2 IQS231A/B 00xx0000 TSR | | | | | | | |
| Bit7 | 6 | 5 | 4 | 3 | 2 | 1 | Bit 0 |
| Increase debounce | Target | Base value | | Failsafe | Quick release | User interface | |
| 0 – 6in, 4out 1 – 12in, 8out | 0 = 1200 / 1096 (movement) 1 = 768 | 00 – 100 counts 01 – 75 10 – 150 11 – 200 | | 0 – Disabled 1 – Enabled | 0 – Enabled 1 – Disabled | 00 – Prox / No movement 01 – Prox with movement 10 – Prox with movement / Touch with no movement 11 – Same as '10', touch output forced on IO2 | |
| OTP Bank 3 IQS231A/B xx000000 TSR | | | | | | | |
| Bit7 | 6 | 5 | 4 | 3 | 2 | 1 | Bit 0 |
| Charge transfer frequency | | Temperature & interference compensation | IO2 function | | ATI events on IO1 | Sample rate | |
| 00 – 500kHz 01 – 125 kHz 10 – 64 kHz 11 – 16.5kHz | | 0 – Disabled 1 – Enabled | 00 – Sensitivity input (proximity threshold adjust) 01 – Synchronize input 10 – Movement output 11 – Ignore input, no output | | 0 – Enabled 1 – Disabled | Sample-to-sample time (Response time) Includes 6 sample debounce burst of 24ms 00 – 30 Hz (57ms) 01 – 100 Hz (34ms) 10 – 8 Hz (154ms) 11 – 4 Hz (280ms) *See time-out accuracy section 8.8 & 8.9 | |

¹Careful design is key when using a threshold of 4 combined with a base value of 100 / 75 and a target of 1200. Contact Azoteq.




5 Summary: Programming Reference (I²C Memory Map)

| I ² C Communications Layout | | | | | | | | | | | | | |
|---|--|-----|------------------|--|---------------------------------------|--|---|--|----------------------|--|---------------|---------------------------|--|
| Address/ Command/ Byte | Register name/s | R/W | Default Value | Bit 7 | Bit 6 | Bit 5 | Bit 4 | Bit 3 | Bit 2 | Bit 1 | Bit 0 | | |
| DEFAULT COMMS POINTER | MAIN_EVENTS | R | n/a | | DEBUG | SENSING DISABLED | WARM BOOT | COLD BOOT | RELEASE | TOUCH | PROX | | |
| Each read instruction returns 'MAIN_EVENTS' byte as first byte, followed by the data at the specified address | | | | | | | | | | | | | |
| 00H | PRODUCT_NUMBER | R | 0x40 | 0x40 | | | | | | | | | |
| 01H | SOFTWARE_VERSION | R | 0x06 | 0x06 (IQS231A), 0x07 (IQS231B – Identical to 0x06 software) | | | | | | | | | |
| 02H | DEBUG_EVENTS | R | n/a | RESERVED | ATI_ERROR | CH0_ATI | RESERVED | QUICK RELEASE | EXIT MOV DETECT | ENTER MOV DETECT | MOVEMENT | | |
| 03H | Reserved | R/W | n/a | RESERVED | | | | | | | | | |
| 04H | COMMANDS | R/W | 0x00 | ATI_CH0 | DISABLE SENSING | ENABLE SENSING | TOGGLE AC FILTER | RESERVED | TOGGLE ULP MODE | RESERVED | WARM BOOT | | |
| 05H | OTP Bank 1 | R/W | 0x00 | Standalone / I2C address | | Proximity threshold Read only | | AC Filter | | Touch threshold Read only | | | |
| 06H | OTP Bank 2 | R/W | 0x00 | Increase debounce | Target | Base value | | Failsafe pulses IO1 | Quick release | User interface selection | | | |
| 07H | OTP Bank 3 | R/W | 0x00 | Charge transfer frequency | | Temperature & interference compensation | IO2 Function | | ATI events on IO1 | Sample rate | | | |
| 08H | QUICK RELEASE | R/W | 0x00 | Quick release threshold LUT | | | | Quick release beta | | | | | |
| | | | | 0xC = 500 0xD = 750 0xE = 850 0xF = 1000 | 0xB = 75 0xA = 300 0xB = 400 | 0x4 = 10 0x5 = 20 0x6 = 25 0x7 = 30 | 0x0 = 100 0x1 = 150 0x2 = 50 0x3 = 250 | | | | | | |
| 09H | MOVEMENT | R/W | 0x34 (2s, 8) | Filter halt time | | | | Movement threshold = (Value x 2) Available range: 0 – 30 0 = always movement trigger | | | | | |
| | | | | 0xC = 10min 0xD = 30min 0xE = 60min 0xF = 90min | 0xB = 30s 0xA = 2min 0xB = 5min | 0x4 = 4s 0x5 = 5s 0x6 = 10s 0x7 = 20s | 0x0 = 0s 0x1 = 0.5s 0x2 = 1s 0x3 = 2s | | | | | | |
| 0AH | TOUCH THRESHOLD | R/W | 0x07 (32) | Touch threshold = (Value x 4) + 4 | | | | | | | | Available range: 4 – 1024 | |
| 0BH | PROXIMITY THRESHOLD | R/W | 0x00 | Reserved | | | | Reserved | | 00 – 4 counts 01 – 6 10 – 8 11 – 10 | | | |
| 0CH | Temperature & interference threshold | R/W | 0x03 | Temperature tracking threshold when not in touch / prox detect | | | | | | | | | |
| 0DH | CH0 Multipliers | R/W | n/a | Reserved | Reserved | CH0 Sensitivity Multiplier | | CH0 Compensation multiplier | | | | | |
| | | | | | | 0 – 3 | | 0 – 15 | | | | | |
| 0EH | CH0 Compensation | R/W | n/a | 0 – 255 | | | | | | | | | |
| 0FH | CH1 Multipliers | R/W | n/a | Reserved | Reserved | CH1 Sensitivity Multiplier | | CH1 Compensation multiplier | | | | | |
| | | | | | | 0 – 3 | | 0 – 15 | | | | | |
| 10H | CH1 Compensation | R/W | n/a | 0 – 255 | | | | | | | | | |
| 11H | System flags | R | n/a | I2C | TEMP | CH1_ACTIVE | CURRENT_CH | NO SYNC | CH0_LTA_HALTED | ATI_MODE | ZOOM MODE | | |
| 12H | UI flags | R | n/a | TEMP CHANNEL ATI | TEMPERATURE RESEED | Reserved | UI AUTO ATI OFF | UI SENSING DISABLED | QUICK_RELEASE | Reserved | OUTPUT ACTIVE | | |
| 13H | ATI flags | R | n/a | Reserved | | | | | | | | | |
| 14H | Event flags | R | n/a | CH1_ATI ERROR | Reserved | CH1 MOVEMENT | CH0_ATI ERROR | CH0 UNDEBOUNCED | CH0_TOUCH | CH0_PROX | | | |
| 15H | CH0 ACF_H | R | n/a | Proximity channel: Filtered count value | | | | | | | | | |
| 16H | CH0 ACF_L | R | n/a | 0 – 2000 | | | | | | | | | |
| 17H | CH0 LTA_H | R | n/a | Proximity channel: Reference count value (Long term average) | | | | | | | | | |
| 18H | CH0 LTA_L | R | n/a | 0 – 2000 | | | | | | | | | |
| 19H | CH0 QRD_H | R | n/a | Proximity channel: Quick release detect reference value | | | | | | | | | |
| 1AH | CH0 QRD_L | R | n/a | 0 – 2000 | | | | | | | | | |
| 1BH | CH1 ACF_H | R | n/a | Movement channel: Filtered count value | | | | | | | | | |
| 1CH | CH1 ACF_L | R | n/a | 0 – 2000 | | | | | | | | | |
| 1DH | CH1 UMOV_H | R | n/a | Movement channel: Upper reference count value | | | | | | | | | |
| 1EH | CH1 UMOV_L | R | n/a | 0 – 2000 | | | | | | | | | |
| 1FH | CH1 LMOV_H | R | n/a | Movement channel: Lower reference count value | | | | | | | | | |
| 20H | CH1 LMOV_L | R | n/a | 0 – 2000 | | | | | | | | | |
| 21H | CH1_RAW_H | R | n/a | Temperature channel: Unfiltered count value (if temperature feature enabled) | | | | | | | | | |
| 22H | CH1_RAW_L | R | n/a | 0 – 2000 | | | | | | | | | |
| 23H | TEMPERATURE_H | R | n/a | Movement channel temperature reference (a previous value of temperature channel) | | | | | | | | | |
| 24H | TEMPERATURE_L | R | n/a | 0 – 2000 | | | | | | | | | |
| 25H | LTA HALT_TIMER_H | R | n/a | Countdown timer to give active feedback on the time-out. Movement events will reset this timer | | | | | | | | | |
| 26H | LTA HALT_TIMER_L | R | n/a | (0 – 255) x 100ms Timer range: 0 – 90min | | | | | | | | | |
| 27H | FILTER_HALT_TIMER | R | n/a | Countdown timer to give active feedback on the fixed 5sec time-out when in filter halt mode (before entering Proximity detect) | | | | | | | | | |
| | | | | 0 – 50 x 100ms Timer range: 0 – 5 seconds | | | | | | | | | |
| 28H | TIMER_READ_INPUT | R | n/a | Countdown timer to signal when a read operation is done on IO2 | | | | | | | | | |
| | | | | (0 – 10) x 100ms Timer range: 0 – 1 seconds | | | | | | | | | |
| 29H | TIMER_REDO_ATI | R | n/a | Countdown timer to give active feedback on the time until re-calibration is attempted after ATI-error | | | | | | | | | |
| | | | | (0 – 255) x 100ms Timer range: 0 – 25s | | | | | | | | | |


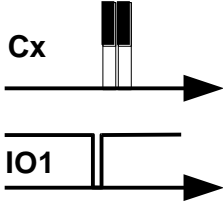



6 Summary: Features

| | |
|---|---|
| <p>Pin compatibility</p> | <p>Designs using the IQS229 or IQS128 will benefit from a “drop-in” replacement on a production device for evaluation.</p> <p>Using the added I²C capability on the IQS231A/B will require an added connection to the master device.</p> |
|  <p>DYCAL / Quick release</p> | <p>A DYCAL-type implementation (referring to dynamic threshold calibration) is recommended as main stability feature for the latest SAR user interface. Passing the device SAR qualification with this type of interface has been proven successful.</p> <p>“Quick release” detection is the improved “DYCAL”-type implementation and focusses on a release characteristic within a time window.</p> <p>Movement features add a second level of protection against stuck conditions with the quick release detection.</p> <p>The quick release will be detected on the proximity channel (not the secondary movement channel) and the signal slope will be monitored to enable the quick release. A single action from a touch/proximity state will trigger the quick release event and the event will only remain as long the proximity state holds.</p> |
| <p>Control in RF environments</p> | <p>Several features are offered to ensure operation in various designs where high power RF signals may influence the sensing signal:</p> <ul style="list-style-type: none"> • Increased low frequency sensing options to allow for high impedance filter circuits • Increased debounce option to prevent RF noise triggers • Advanced temperature compensation for fast temperature variations caused by high power RF circuits • Interference compensation for false triggers caused by conducted/radiated noise. |
| <p>Advanced temperature & interference compensation</p> | <p>An improved compensation feature is offered to prevent false triggers due to quickly varying temperature & high interference environments. This feature effectively tracks temperature changes & compensates for interference only when no proximity trigger is present.</p> |
| <p>User interface selection</p> | <p>The device offers 3 main UI’s intended for SAR use. These are:</p> <ul style="list-style-type: none"> • Proximity UI, no continuous movement sensing • Proximity UI, continuous movement sensing • Proximity & touch UI, continuous movement sensing during proximity, no movement sensing during touch (No time-out during long duration stationary SAR tests) <p>In all cases the use of the quick release feature is recommended to prevent typical non-human activations from remaining.</p> <p>In all cases “no movement” and “movement sensing” refers to the capacitive movement sensing during normal activation. “Handheld detection” and “quick release” features will enable movement sensing with a no-movement time-out, irrespective of which UI is selected.</p> |



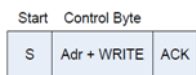
Summary: Features (Continued 1)

| | |
|--|---|
|  <p>Movement detection</p> | <p>Movement detection is designed to function as human presence detection in a localized area. This device can't be used to fulfil an accelerometer function ("G-sensor" function).</p> <p>Human presence detection requires an exception in SAR testing because the qualification testing only uses stationary "phantom bodies". Optimized human detection is offered through an integrated separate channel, dedicated towards human detection.</p> |
| <p>Sensitivity adjustment</p> | <p>Default input use: internal pull-up (20kΩ) by default, tie directly to GND for more sensitive option.</p> <p>Apart from the simple external adjustment, an external capacitor is recommended for sensitivity adjustments. 1pF is considered a small change in sensitivity, while 10pF changes are considered large. A maximum of 60pF load is recommended for effective proximity sensing.</p> |
|  <p>Failsafe heartbeat</p> | <p>A single pulse of 500μs is integrated on IO1. This pulse is the failsafe heartbeat, sent on each sensing event. This pulse will be sent during the "stabilize time" as shown in Figure 9.1.</p> <p>The failsafe indicator signal will precede the conversions (sampling). The failsafe signal will be repeated during burst mode in order to offer synchronization output to the master, indicating exactly when sensitive measurements are done. Measurement times have a fixed maximum which the user can implement.</p> <p>The failsafe signal is disabled by default and may be enabled via OTP option or I²C initialize with standalone setup.</p> |
| <p>High configurability</p>  | <p>Through I²C the IQS231A/B can be used in many ways and the configuration can be updated during later stages of development than with the OTP route.</p> |
| <p>Switch I²C to standalone</p> | <p>Configure the device via a dedicated I²C type connection and switch to any standalone mode for runtime operation. This minimizes the processor load and spurious content from communication signals.</p> <p>Unexpected reset conditions should be managed via the failsafe pulse OTP option or by polling the device periodically. When the heartbeat disappears or I²C responds to the polling, default state applies, and the master should reconfigure the device through I²C.</p> |



Summary: Features (Continued 2)

| | |
|--|---|
| Synchronize input | In order to ensure a stable sensing environment, sensing may be done in strategic time windows controlled by a master device. |
| Automatic tuning (ATI) | <p>The ATI ensures optimal sensitivity during runtime for various sensor environments.</p> <p>Two channels are calibrated (proximity channel and movement channel). Both run on the same Cx pin in different time slots.</p> <p>An ATI-block time is defined to prevent re-ATI loops during touch release events. The ATI-block is fixed for the movement channel, and fixed for the standard touch/proximity channel</p> |
| Reference signal behavior | LTA: signal reference behavior is optimized for SAR where trigger tests are important in product qualification. The LTA will therefore be slow while still able to prevent typical temperature drift from causing activations. |
| Improved I²C interface | <p>Standard I²C polling for:</p> <ul style="list-style-type: none">• Debugging & normal use• Device polling optimized for guaranteed response (within $t_{CLK_stretch}$ – clock stretching will be applied to the bus SCL line) |





7 Features: Extended Details

7.1 Automatic Tuning Implementation (ATI)

External sensor connections are calibrated in the following ways:

- > Power On Reset (proximity channel is calibrated at each POR)
- > Movement channel is only calibrated with POR when hand-held detection is enabled
- > Proximity & movement channel is calibrated when the reference is out of bounds (1/8 of target counts). The reference of the proximity channel is rapidly adapted when capacitance moves away from the trigger threshold OR when an automatic “reseed” is done (Reseed: reference = actual sensor value). The reference of the movement channel is rapidly adapted in any direction of capacitive changes.
- > Redo-ATI of the proximity channel can be initiated by the user in I²C mode using an I²C command.

During each proximity channel ATI event, the proximity output is activated to indicate the event and ensure a safe output during the event and in the case of an ATI-error.

7.2 Sensitivity Adjustment

Apart from the simple external adjustment, an external capacitor is recommended for sensitivity adjustments. 1pF is considered a small change in sensitivity, while 10pF changes are considered large. A maximum of 60pF load is recommended for effective proximity sensing.



8 I²C Programming Guide (Summary)

The IQS231A/B device interfaces to a master controller via a 2-wire (SDA and SCL) serial interface bus that is I²C™ compatible, with a maximum communication speed of 400kbit/s.

The protocol acknowledges an address request independently. The I²C hardware module is awake for address recognition while the IQS231A/B is in sleep mode, giving the ability to wake the device at any time and effectively communicate via serial interface. This is different compared to other ultra-low power Azoteq solutions where the communications module also sleeps during standard IC sleep times. Repeated polling requests where required in such case.

8.1 Add I²C Connection

When using I²C mode, ensure the connections as shown in Figure 2.2. Internal pull-up resistors are sufficient for communication speeds up to 100kbits/s with low capacitance on the lines (<15pF). For 400kbit/s, be sure to place pull-up resistors (4.7kΩ recommended)

8.2 I²C Command Structure

By writing to address 0x04, commands are sent to the device. The commands are as follows:

Table 8.1 I²C Command Structure

| Reg 0x04 Bit | Name | Description | Toggle (yes/no) |
|--------------|-------------------------------------|--|-----------------|
| 0 | SWITCH STANDALONE (warm boot) | TO Switch from I ² C so standalone outputs Soft reset, all registers remain as written, UI resets | No |
| 1 | AUTO ATI | Enable or disable automatic calibration when sensing signal is out of bounds | Yes |
| 2-4 | RESERVED | n/a | n/a |
| 5 | DISABLE SENSING | Disables all conversions | No |
| 6 | ENABLE SENSING | Enable capacitive sensing | No |
| 7 | ATI CH0 | Perform re-calibration on proximity channel | No |

8.3 Control Byte

The Control byte indicates the 7-bit device address (44H default) and the Read/Write indicator bit. The structure of the control byte is shown in Figure 8.1.

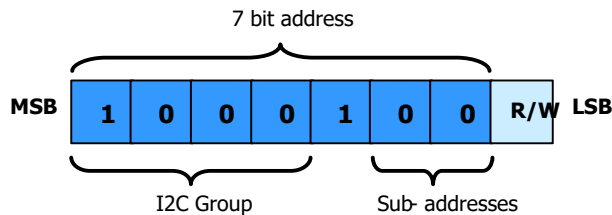


Figure 8.1 IQS231A/B Control Byte

The I²C device has a 7-bit Slave Address (default 0x44H) in the control byte as shown in Figure 8.1. To confirm the address, the software compares the received address with the device address. Sub-address values can be set by OTP programming options.

The IQS231A/B has alternate slave address options of 0x46 and 0x47.

8.4 Test Mode (address 0x45)

During the power-on period ($t_{\text{test_mode}}$) the device will respond to polling requests on address **0x45** (test-mode address). Test-mode is used during IC production and OTP (programming) configuration.

With another device on the I²C bus with address 0x45, power-up sequence and communication timing should be considered.

8.5 I²C Typical Setup

The typical I²C setup would adjust the following registers:

- Quick release beta
- Quick release threshold
- Movement threshold
- Touch threshold
- Proximity threshold
- Filter halt time
- User interface
- IC mode

The rest of the settings will only require adjustment with specific requirement.

8.6 I²C Read (Event Register)

Each I²C read will always return the event register (default address pointer) as the first byte. When reading from a specific register (write address before read), 2x reads should be done. See memory map first line for detail on the event register.

When reading without writing an address, the main events register data (default address pointer) is returned. Consecutive reads will step through the memory map, starting from address 0x00 after the default address pointer.



8.7 I²C Polling and Sensing Timing

Polling may be done at any time. Polling of the specific device will dictate the sensing rate.

Series resistance (example schematic R6 = R_{I2C_series} & R7 = R_{I2C_series}) on the I²C lines are effective in preventing interference on sensitive configurations. R_{I2C_series} is recommended for using the IQS231A/B on a bus with other devices.

8.8 Movement Time-out Accuracy

When I²C mode is enabled (OTP bank 1 bit7:6 is not “00”) the time out settings in register 0x09 bit7:4 will respond as shown in the graph below (typical measured values for a constant polling rate):

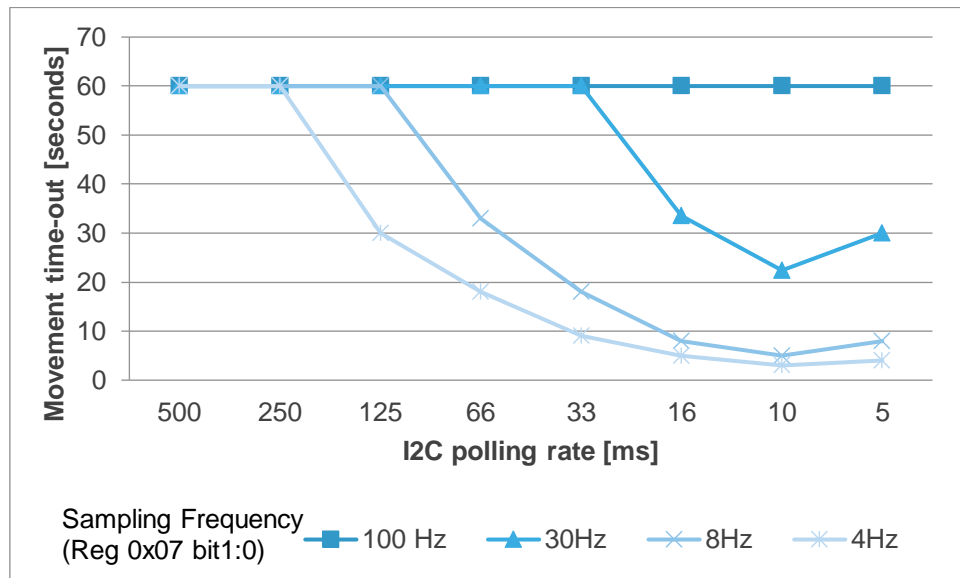


Figure 8.2 60 Second Movement Time-out vs Polling Rate

While any polling rate is acceptable for 100Hz sampling, it is recommended to poll slower than the sampling frequency in order to keep an accurate time-out.

8.9 Sampling Frequency vs Sensing Frequency

Sampling frequency (Reg 0x07 bit1:0) is the rate at which samples are taken by the sensor. The sensing frequency (Reg 0x07 bit7:6), or “charge transfer frequency” is the frequency at which the complete capacitive load is charged and discharged.

Depending on the charge transfer frequency, the sampling frequency is automatically adapted to accurately complete charge transfers for 30Hz (default) mode. For 100Hz mode, performance is prioritized, and sampling time may vary during “Prox with movement” UIs or “Temperature & interference compensation” enabled. In such case, Reg 0x07 bit1:0 is not forced to a different value. The automatic adapt is done as shown in Figure 8.3

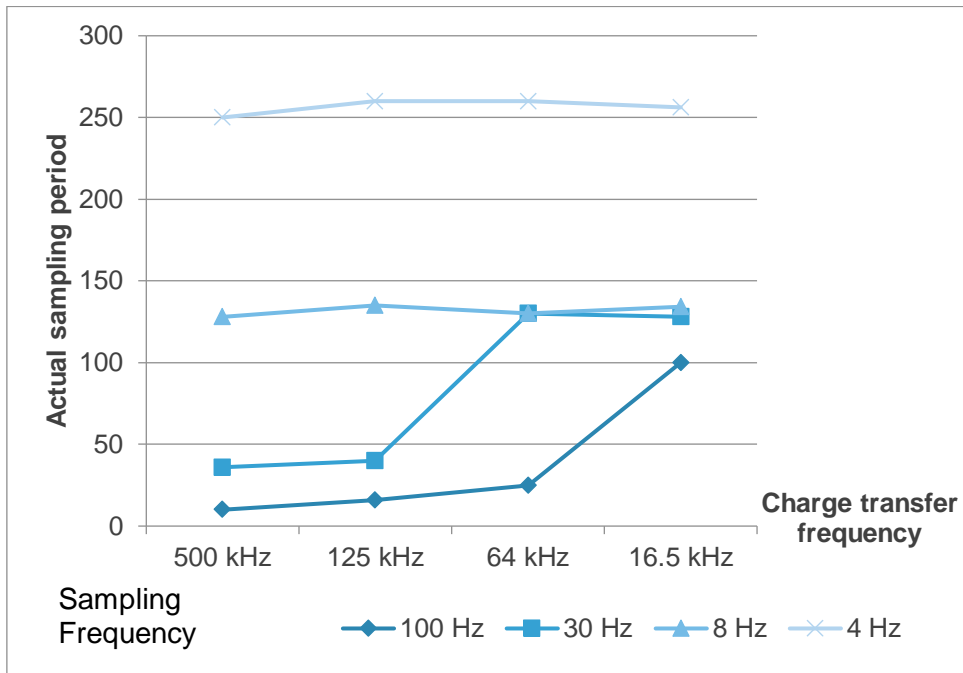


Figure 8.3 Actual Sampling Period vs Sampling Frequency Selected¹

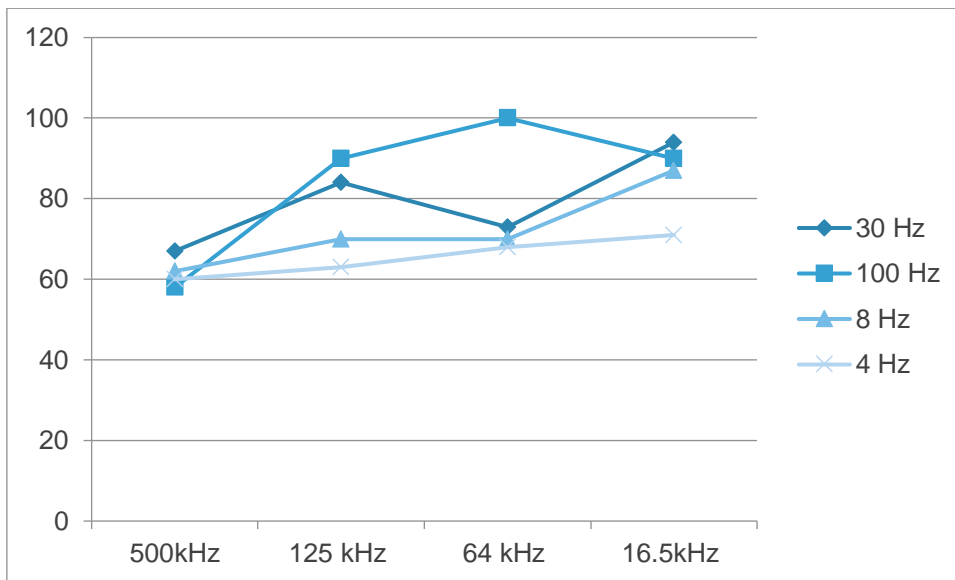


Figure 8.4 Actual 60 Second Time-out Example 1 at Various Charge Transfer Frequencies

¹Testing was done to obtain typical values using the recommended schematic as in Table 3.1 (1uF capacitors for C1 & C3) at 25°C.



9 Configuration Options

The IQS231A/B offers various user selectable options. The options are defined via I²C setup or OTP configuration. OTP configured devices can be ordered pre-programmed for bulk orders or in-circuit programming techniques may be implemented during the product-testing phase. I²C setup allows access to all device settings while entering direct output mode when selected by the MCU.

Azoteq offers a Configuration Tool (CT210 or later) and associated software that can be used to program the OTP user options for prototyping purposes. For further information regarding this subject, please contact your local distributor or submit enquiries to Azoteq at: info@azoteq.com

9.1 OTP Details: Bank 0

| | |
|--|--|
| Movement time-out <i>(bit 7:6)</i> | When no movement is detected within a time period, a movement time-out occurs. The reference is halted until the timer clears. After the timer clears, the reference signal is made equal to the actual signal, nullifying any signal delta that may have caused a proximity or touch event. The timer is reloaded with every movement event detected. |
| Movement threshold <i>(bit 4)</i> | A low count threshold region is defined for a movement signal internally stored. Movement characteristics accumulate and triggers as soon as it reaches the threshold. The accumulated effect restarts in order to detect the next possible movement event. |
| Quick release threshold <i>(bit 3:2)</i> | <p>The quick release feature will operate according to the parameters as specified in:</p> <ul style="list-style-type: none">• DYCAL / Quick release definition• Quick release beta• Quick release threshold <p>The quick release threshold defines the trigger point for the feature where the counts deviate from a quick release moving average in a certain direction. The direction is with increasing counts</p> |
| Quick release beta <i>(bit 1:0)</i> | <p>The quick release beta forms part of the quick release feature and is the filter intensity of the reference value used to follow the actual counts. The quick release triggers according to the difference between this reference value and the actual counts.</p> <p>When this value is large, the quick release will trigger for a variety of release types from slow to fast releases.</p> <p>When this value is small, the quick release will only trigger for fast releases.</p> |

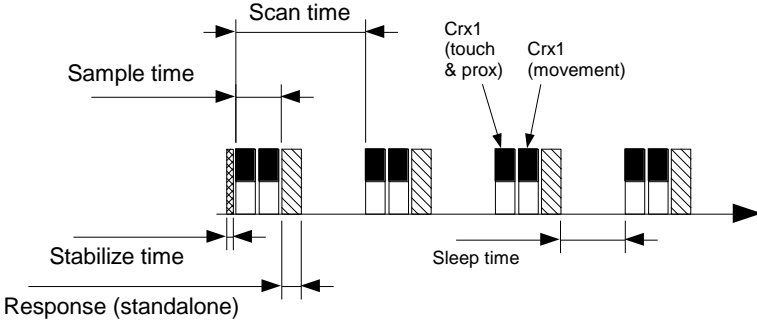
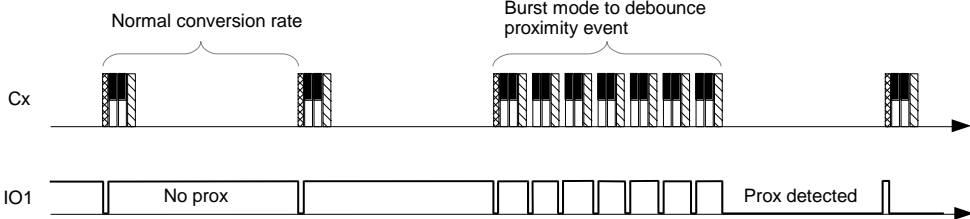


9.2 OTP Details: Bank 1

| | |
|---|--|
| <p>IC mode <i>(bit 7:6)</i></p> | <p>Standalone (default), or I²C. Use I²C for runtime operation, or switch to standalone after initializing the device The advantage of this “runtime” option is explained in the Switch I2C to standalone section of the features summary. When choosing I²C, the address options of 0x44, 0x46 and 0x47 exist. Avoid the use of address 0x45 on this I²C-bus, this could activate a test mode in the IC during a power-up window.</p> |
| <p>Proximity Threshold (low/high) <i>(bit 5:4)</i></p> | <p>By default, this is the only trigger threshold in the system (touch threshold also available). The threshold is adjustable in actual counts values (count values can be seen when streaming I²C value through the IQS231A/B GUI). The threshold is the amount of counts the actual signal falls below the reference signal (long-term average) In the default configuration the input pin IO2 will be active. IO2 = VSS will enable the chosen option in the OTP (4-10 counts) IO2 = VDDHI (8-14 counts) The system will default to the IO2 = VSS option when sync input or movement output is enabled.</p> |
| <p>AC Filter <i>(bit 3:2)</i></p> | <p>Incoming samples are slightly filtered by default (AC filter = 1). This option gives the ability to significantly increase the filter strength. Default is an IIR (infinite impulse response) filter of 2 (2¹). The “increased” options enable an IIR filter of 4 (2²) or 8 (2³). Movement detection is not affected by this setting. For movement detection the IIR filter is fixed on AC filter = 2.</p> |
| <p>Touch threshold <i>(bit 1:0)</i></p> | <p>Threshold in counts that defines the level below the proximity threshold that cancels a quick release event and disables any active movement detection.</p> |



9.3 OTP Details: Bank 2

| | |
|--|--|
| <p>Increase Debounce <i>(bit 7)</i></p> | <p>Once a threshold is crossed, a rapid debounce action ensures performance in low SNR environments and short reaction time in low power modes. An increased debounce is offered for situations where RF noise coupling into the sensor is large</p> |
| <p>Target <i>(bit 6)</i></p> | <p>The target count is an offset value of the actual system capacitance. The actual signal (expressed in counts) will be calibrated as close as possible to this value. A larger target optimizes sensitivity at the cost of charge transfer time. A lower target offers more stability, but less sensitivity.</p> |
| <p>Base value <i>(bit 5:4)</i></p> | <p>The base value is a lower target value for the actual signal and implies the system gain. A base value of 100 and target of 1000 implies a x10 gain, while base value of 200 and target of 1000 implies a x5 gain.</p> |
| <p>Failsafe <i>(bit 3)</i></p> | <p>This bit only has an effect when User interface is set to Standalone. The output IO1 will have pulses superimposed on the regular output (pulse duration $t_{failsafe}$), separated by the sampling period. A pulse will be on output every time a capacitive conversion is done. Conversion rate and debounce events may be debugged through this output.</p>  <p style="text-align: center;"><i>Figure 9.1 Conversion signal on Cx Timing Description</i></p>  <p style="text-align: center;"><i>Figure 9.2 Conversion Diagram with Failsafe Output Signal</i></p> |



OTP Details: Bank 2 (Continued)

Quick release (bit 2)

The quick release feature can be disabled via this bit (enabled by default).
The quick release feature offers improved user experience and does not influence trigger performance. The feature is directed at SAR applications, but also has significant benefits for long-term detection applications.

The touch depth and speed of release is used to detect the instance where the user interaction implies a release condition. This is required for cases where the normal threshold release is not triggered for any of the following reasons:

- Device placed on table while releasing the hand (the capacitive influence of the table remains)
- Place device inside a bag while releasing the hand (the capacitive influence of the bag remains)
- Fit a protective cover during use (the capacitive influence of the cover remains)
- Extreme temperature (cool down) shift causes a shift in capacitive environment
- Capacitance impulse recovery (drop test, transient bursts etc.)

User interface (bit 1:0)

When movement UIs are enabled, the timeout is only active in the proximity region. When in touch, only quick release can get the IC out of a stuck condition. In such case no movement time-out for quick release is fixed at 2sec and no-movement time-out for proximity is as defined in OTPs

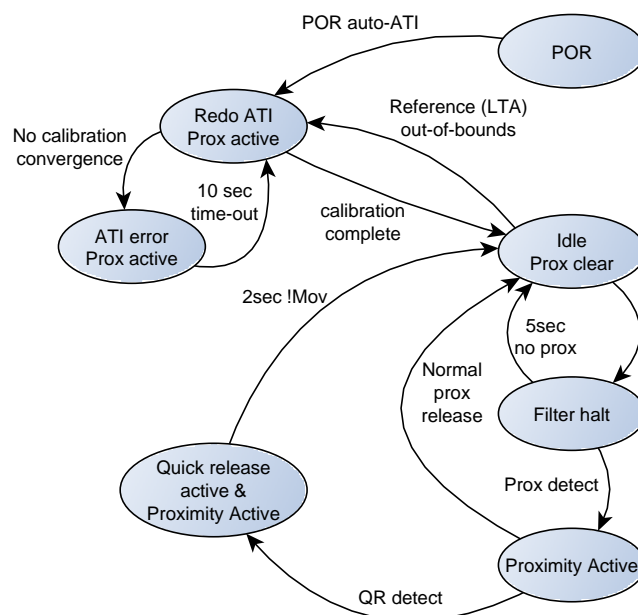


Figure 9.3 Proximity UI No Movement



OTP Details: Bank 2 (Continued)

User interface
(bit 1:0)
(Continued)

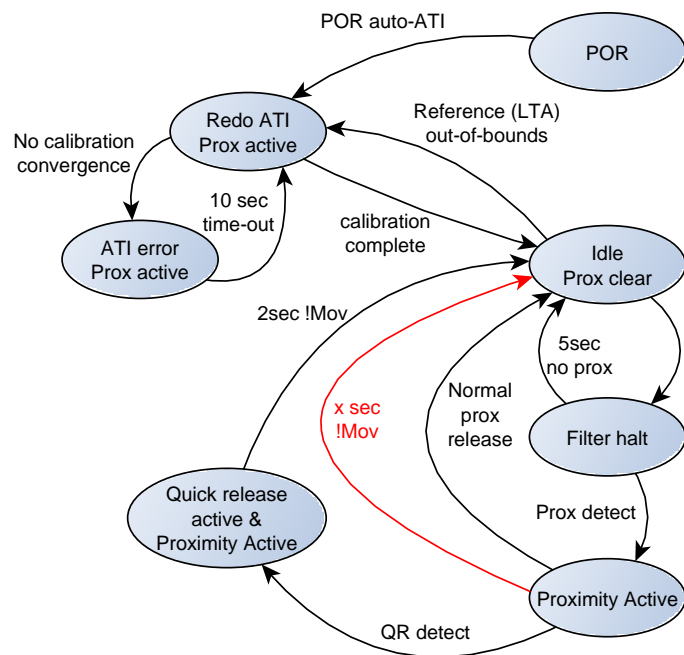


Figure 9.4 Proximity UI With Movement

User interface
(bit 1:0)
(Continued)

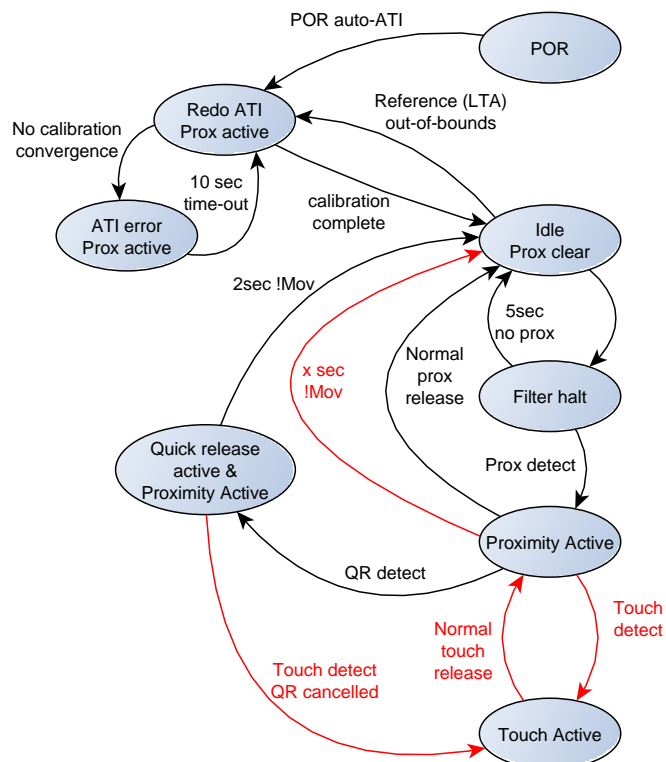
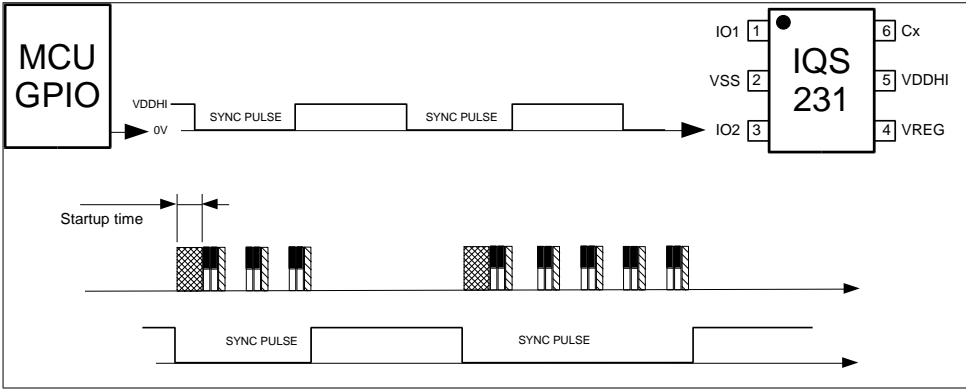


Figure 9.5 Proximity & Touch UI (With Movement Enabled in Proximity & Movement Disabled in Touch)



9.4 OTP Details: Bank 3

| | |
|--|---|
| <p>Charge Transfer frequency <i>(bit 7:6)</i></p> | <p>Various charge transfer frequencies are offered to allow for standard reference design filters to highly resistive and reactive filter elements. These options give the ability to retain signal integrity along with the isolation properties of the filter elements. These options are useful for hybrid antenna designs where the RF and sensing signal share the same conductive structure.</p> |
| <p>Temperature & Interference Compensation <i>(bit 5)</i></p> | <p>Advanced temperature compensation is disabled by default. When enabled the IQS231A/B is able to track strong temperature changes when a proximity is not detected. This may be required when the sensor is placed on a PCB with highly varying temperature effects (example: close to an RF amplifier)</p> |
| <p>IO2 function <i>(bit 4:3)</i></p> | <p>By default, Error! Reference source not found.IO2 will be a sensitivity adjustment input. An internal pull-up ($R_{internal}$) will by default select a less sensitive option (IO2 = VDDHI). By strapping then pin directly to Vss, a more sensitive option is selected (IO2 = VSS).</p> <p>When the movement output is enabled, the input defaults to the “more sensitive option” as shown with IO2 = VSS</p> <p>With the output enabled the movement events are shown on IO2. The output is in an active low, open drain configuration. The output will remain low for t_{awake} when movement is detected, and this will occur during the sample time after the movement trigger occurs (the movement trigger is delayed with the sample rate)</p> <p>For the no input, ignore output case, the threshold options will default to the more sensitive options i.e. 4/6/8/10.</p> <p>Sync input: The input (pin IO2) may be used to detect when to sense and when to halt the sensing.</p>  <p style="text-align: center;"><i>Figure 9.6 Sync Input of the IQS231A/B</i></p> |



| | |
|--|--|
| <p>ATI events on IO1 <i>(bit 2)</i></p> | <p>Calibration events (ATI) are shown on the standalone output pin (IO1). During this time, the calibration is active and proximity events during this time may influence the calibration time.</p> <p>The output is enabled by default and can be disabled through this bit</p> |
| <p>Sample rate <i>(bit 1:0)</i></p> | <p>The various sample rates offered are mainly given for the user to determine an ideal balance between power consumption and response time. Overall response times of the IQS231A/B are improved with SAR trigger testing in mind. It is recommended to reduce or disable AC-filtering when using lower power modes to improve reaction time.</p> |



10 Full Programming Reference

A detailed list of the I²C registers follows and follows the structure of the [memory map summary](#) on page 14.

| ADDR | Register name | Bit | Description |
|------|------------------|-----|--|
| xxH | MAIN_EVENTS | 7 | n/a |
| | | 6 | |
| | | 5 | SENSING DISABLED – An indication of forced or implied times when no sensing signals are applied to the sense pin. When this bit is set and bit 2 is cleared, sensing is disabled. When this bit and bit 2 is set, sensing is enabled again. |
| | | 4 | WARM BOOT – A software reset command in register 0x04 will lead to a warm boot. This will imply a reset for the user interface and re-calibration will be triggered. |
| | | 3 | COLD BOOT – A hard reset (power supply cycle) will cause all registers to return to a default value. This indicator will imply the need to re-initialize the device. |
| | | 2 | RELEASE – A touch, prox or sensing event may be paired with a release indication to show an exit of the flagged event. |
| | | 1 | TOUCH – Disabled by default, this bit will be active when a touch and prox user interface is chosen. |
| | | 0 | PROX - The main feedback bit to indicate an activation |
| 00H | PRODUCT_NUMBER | n/a | The product number is fixed at 0x40 |
| 01H | SOFTWARE_VERSION | n/a | The software version is 0x06 for IQS231A The software version is 0x07 for IQS231B (firmware identical to 0x06) |
| 02H | DEBUG_EVENTS | 7 | n/a |
| | | 6 | ATI_ERROR – when a recalibration cannot converge, due to external tampering or instability, this bit will indicate the error and implies that the calibration does not offer optimal sensitivity. The PROX event in the main events register will be set along with this bit in such case. |
| | | 5 | CH0_ATI – An indication that a recalibration of the proximity sensing channel has occurred. With calibration, the PROX output in main events will be set and after calibration, the PROX output will release. |
| | | 4 | n/a |
| | | 3 | QUICK RELEASE – The quick release feature is a single event that is indicated here. This event will always imply an “ENTER MOV DETECT” but is not the only event that causes movement detection to be activated. |
| | | 2 | EXIT MOV DETECT – The user interface dictates when the movement channel is deactivated. The deactivation of movement sensing will be reported in this bit. |
| | | 1 | ENTER MOV DETECT – Movement detection is user interface dependant and not continually active. Movement detection implies that a separate movement channel is activated. This activation will be reported in this bit. |
| | | 0 | MOVEMENT – Each trigger detected by the movement algorithm is reported as an event that resets along with each read operation. |
| 03H | Reserved | n/a | |
| 04H | COMMANDS | 7 | ATI_CH0 – Recalibrate the proximity channel. Only after closing the communications window, a recalibration of the proximity sensing electrode will be started. |
| | | 6 | DISABLE SENSING – Sensing can be disabled to save power or synchronize sensing in a more complex system and limit certain signals from affecting the measurement. |
| | | 5 | ENABLE SENSING – Sensing can be enabled at strategic times to limit interference in the sensitive measurement environment. ENABLE / DISABLE sensing will be reflected in the MAIN_EVENTS register. ENABLE sensing will result in a “SENSING DISABLED” and “RELEASE” bit being set simultaneously. |
| | | 4 | RESERVED |
| | | 3 | |
| | | 2 | |
| | | 1 | AUTO ATI toggle on/off |
| | | 0 | SWITCH TO STANDALONE – Triggers a user interface restart in standalone (GPIO) mode while keeping all register changes made. Sending the command will execute as soon as the communications window is closed. |
| 05H | OTP Bank 1 | 7 | Standalone / I ² C mode selection including I ² C address options (see OTP bank definition) |
| | | 6 | *To switch to standalone mode directly from I ² C mode This powerful feature enables the designer to configure the device in I ² C mode and thereafter reduce the I ² C overhead and related EMI by switching to standalone for runtime. The actual mode switch occurs as soon as the communications window is closed with a stop command. It is recommended to enable the failsafe heartbeat when going from I ² C mode to standalone. The absence of the heartbeat should be used to indicate an unexpected reset event, implying the need for I ² C reconfiguration. |
| | | 5 | Proximity Threshold (low/high) read only |



| ADDR | Register name | Bit | Description | |
|------|---------------|-----|--|---|
| | | 4 | For reading OTP setting only. Note that the actual proximity threshold is defined in register 0x0B. | |
| | | 3 | AC Filter (see OTP bank definition) | |
| | | 2 | | |
| | | 1 | Touch threshold (read only) | |
| | | 0 | For reading OTP setting only. Note that the actual touch threshold is defined in register 0x0A. | |
| 06H | OTP Bank 2 | 7 | Increase debounce (see OTP bank definition) | |
| | | 6 | Target (see OTP bank definition) | |
| | | 5 | Base value (see OTP bank definition) | |
| | | 4 | | |
| | | 3 | Failsafe (see OTP bank definition) | |
| | | 2 | Quick release (see OTP bank definition) | |
| | | 1 | User interface (see OTP bank definition) | |
| | | 0 | | |
| 07H | OTP Bank 3 | 7 | Charge transfer frequency | |
| | | 6 | | |
| | | 5 | Advanced temperature compensation (see OTP bank definition) | |
| | | 4 | IO2 function (see OTP bank definition) | |
| | | 3 | | |
| | | 2 | ATI events on IO1 (see OTP bank definition) | |
| | | 1 | Sample rate (see OTP bank definition) | |
| 0 | | | | |
| 08H | QUICK RELEASE | 7 | The OTP options for quick release (see Quick release threshold in OTP Bank 0) is extended in I ² C mode to enable a very specific release characteristic. Quick release threshold look-up table: 0x0 = 150 counts 0x1 = 100 0x2 = 50 0x3 = 250 0x4 = 10 0x5 = 20 0x6 = 25 0x7 = 30 0x8 = 75 0x9 = 200 0xA = 300 0xB = 400 0xC = 245 0xD = 230 0xE = 335 0xF = 500 | |
| | | 6 | | |
| | | 5 | | |
| | | 4 | | |
| | | 3 | | Quick release beta – This beta value is an indication of the filter strength used to track the characteristic of the release signal. The faster the tracking, the less likely the release will be detected (only very quick events will be detected). The slower the tracking, the more likely the quick release occur (quick events and slow events will be detected as a quick release) Practical values for the beta range between: 0 (fast events only) and 4 (fast and slow events) The maximum of 0xF is impractical and high values are not recommended. |
| | | 2 | | |
| | | 1 | | |
| 0 | | | | |
| 09H | MOVEMENT | 7 | MOVEMENT TIME-OUT – Depending on the user interface, a movement detection channel may be started along with specific events (proximity / quick release). The timer is set and cleared as mentioned in Movement time-out (OTP Bank 0). No movement time-out value: 0x0 = 0s 0x1 = 0.5s 0x2 = 1s 0x3 = 2s 0x4 = 4s 0x5 = 5s 0x6 = 10s 0x7 = 20s 0x8 = 30s 0x9 = 1min 0xA = 2min 0xB = 5min 0xC = 10min 0xD = 30min 0xE = 60min 0xF = 90min | |
| | | 6 | | |
| | | 5 | | |
| | | 4 | | |



| ADDR | Register name | Bit | Description |
|------|---|-----|--|
| | | 3 | MOVEMENT THRESHOLD. |
| | | 2 | Movement threshold = (Value × 2) |
| | | 1 | Available range: 0 – 30 |
| | | 0 | For description see Movement threshold in OTP Bank 0. Note that the movement threshold in OTP Bank 1 is loaded in this register at start up and the OTP setting becomes read only. All movement threshold adjustments are performed in this register. 0 will cause movement to always trigger. |
| 0AH | TOUCH THRESHOLD | n/a | Touch threshold = (Value × 4) + 4 Available range: 4 – 1024 For details on the touch threshold operation and uses see Touch threshold in OTP Bank 1. Note that the touch threshold in OTP Bank 1 is loaded in this register at start up and the OTP setting becomes read only. All touch threshold adjustments are performed in this register. |
| 0BH | PROXIMITY THRESHOLD | 7 | Reserved |
| | | 6 | |
| | | 5 | |
| | | 4 | |
| | | 3 | |
| | | 2 | |
| | | 1 | |
| | | 0 | Proximity threshold Available range: 4 – 10 (IO2 low / I ² C mode) Available range: 8 – 14 (IO2 high) For details on the proximity threshold operation and uses see Proximity Threshold (low/high) in OTP Bank 1. Note that the proximity threshold in OTP Bank 1 is loaded in this register at start up and the OTP setting becomes read only. All runtime proximity threshold adjustments are performed in this register. |
| 0CH | Temperature & interference tracking threshold | n/a | 0 – 255 Default 3. Low values are recommended for intended effect. Use a higher value when using the feature in a noisy environment. |
| 0DH | CH0 Multipliers | 7 | Reserved |
| | | 6 | |
| | | 5 | CH0 Sensitivity Multiplier (Values: 0 – 3) |
| | | 4 | |
| | | 3 | |
| | | 2 | CH0 Compensation multiplier (Values: 0 – 15) |
| | | 1 | |
| 0 | | | |
| 0EH | CH0 Compensation | n/a | 0 – 255 |
| 0FH | CH1 Multipliers | 7 | Reserved |
| | | 6 | |
| | | 5 | CH1 Sensitivity Multiplier (Values: 0 – 3) |
| | | 4 | |
| | | 3 | |
| | | 2 | CH1 Compensation multiplier (Values: 0 – 15) |
| | | 1 | |
| 0 | | | |
| 10H | CH1 Compensation | n/a | 0 – 255 |
| 11H | System flags | 7 | I ² C mode active bit |
| | | 6 | Advanced temperature tracking active |
| | | 5 | CH1 ACTIVE – Indicates if the movement channel (CH1) is activated |
| | | 4 | RESERVED |
| | | 3 | NO SYNC – no sync input active bit |
| | | 2 | CH0 LTA HALTED – Indicates that some proximity shift has been detected according to the threshold in register 0x05 bit 7. This event automatically clears if a proximity is not detected within t_{filter_halt} |
| | | 1 | ATI MODE – Indicates that CH0 or CH1 is busy with the recalibration routine. Read the ATI in flags in register 0x13 for more information |
| | | 0 | ZOOM MODE – At each threshold of the proximity channel (proximity & touch threshold), a signal “debounce” is done rapidly. During this rapid event, this bit will be set. |
| 12H | UI flags | 7 | Reserved |
| | | 6 | |
| | | 5 | |
| | | 4 | Auto-ATI off bit |
| | | 3 | Sensing disabled indication bit |
| | | 2 | Quick release – Indicates when a quick release action has been detected |
| | | 1 | Reserved |
| 0 | Output active – Indicates an active proximity detection | | |
| 13H | ATI flags | n/a | Reserved |



| ADDR | Register name | Bit | Description |
|------|--|-----|---|
| 14H | Event flags | 7 | CH1_ATI ERROR – This will indicate that the movement channel is not operating under optimal sensitivity and the calibration will automatically be redone in $t_{redoATI}$. The count-down time until next attempt can be read in register 0x25 and 0x26. |
| | | 6 | Reserved |
| | | 5 | |
| | | 4 | CH1 MOVEMENT |
| | | 3 | CH0_ATI ERROR – Because of external interference, strong EMI or extreme capacitive load conditions the calibration will not be able to reach the target sensitivity (target count – as defined in register 0x06 bit 6). The proximity output will be set in such case in order to fail towards the safe side. The calibration will automatically be redone in $t_{redoATI}$. The count-down time until next attempt can be read in register 0x23 and 0x24. |
| | | 2 | CH0 UNDEBOUNCED – An indication that a proximity event has been detected before a debounce operation has been done. |
| | | 1 | CH0_TOUCH – The touch event is flagged here for the duration of the touch |
| 0 | CH0_PROX – The proximity event is flagged here for the duration of the proximity | | |
| 15H | CH0 ACF_H | n/a | Proximity channel: Filtered count value 0 – 2000 This count value is related to an offset actual capacitive load. The offset is done though calibration and ensures system sensitivity. |
| 16H | CH0 ACF_L | | |
| 17H | CH0 LTA_H | n/a | Proximity channel: Reference count value (Long term average) 0 – 2000 |
| 18H | CH0 LTA_L | | |
| 19H | CH0 QRD_H | n/a | Proximity channel: Quick release detect reference value 0 – 2000 |
| 1AH | CH0 QRD_L | | |
| 1BH | CH1 ACF_H | n/a | Movement channel: Filtered count value 0 – 2000 |
| 1CH | CH1 ACF_L | | |
| 1DH | CH1 UMOV_H | n/a | Movement channel: Upper reference count value 0 – 2000 |
| 1EH | CH1 UMOV_L | | |
| 1FH | CH1 LMOV_H | n/a | Movement channel: Lower reference count value 0 – 2000 |
| 20H | CH1 LMOV_L | | |



11 Specifications

11.1 Absolute Maximum Ratings

Absolute maximum parameters specified for the device:

Exceeding these maximum specifications may cause damage to the device.

Table 11.1 Absolute Maximum Specifications

| Parameter | Absolute maximum |
|--|--|
| Operating temperature | IQS231A: -20°C to 85°C IQS231B: -40°C to 85°C |
| Supply Voltage (VDDHI – VSS) | +3.6V |
| Maximum pin voltage | VDDHI + 0.5V (may not exceed VDDHI max) |
| Maximum continuous current (for specific pins) | 10mA ¹ |
| Minimum pin voltage | VSS - 0.5V |
| Minimum power-on slope | 100V/s |
| ESD protection | ±8kV (Human body model) |
| Moisture Sensitivity Level (MSL) | 1 (DFN-6, TSOT23-6, WLCSP-8) |

¹ High source current may affect the proximity signal output and it is recommended to limit output current to below 1mA to avoid excessive heating and cooling effects on sensitive signals.



Table 11.2 IQS231A/B General Operating Conditions

| DESCRIPTION | CONDITIONS | PARAMETER | MIN | TYP | MAX | UNIT |
|--------------------------------|---------------------------------|---------------------------|-------|------|------|------|
| Supply voltage | | V _{DDHI} | 1.764 | n/a | 3.6 | V |
| Internal regulator output | 1.764 ≤ V _{DDHI} ≤ 3.6 | V _{REG} | 1.62 | 1.65 | 1.72 | V |
| Default Operating Current | 3.3V, Scan time = 30ms | I _{IQS231ALP30} | | 33 | | μA |
| Full Power Setting | 3.3V, Scan time = 9ms | I _{IQS231AFP} | | 80 | | μA |
| Low Power Setting 1 | 3.3V, Scan time = 128ms | I _{IQS231ALP128} | | 7.5 | | μA |
| Low Power Setting 2 | 3.3V, Scan time = 256ms | I _{IQS231ALP256} | | 5 | | μA |
| C _x pin capacitance | 1.764 ≤ V _{DDHI} ≤ 3.6 | C _{CxLoad} | | | 120 | pF |

Table 11.3 Start-up and Shut-down Slope Characteristics

| DESCRIPTION | CONDITIONS | PARAMETER | MIN | MAX | UNIT |
|-------------------------------|---|----------------------|------------------|-------------------|------|
| Power On Reset | V _{DDHI} Slope ≥ 100V/s ¹ | POR _{VDDHI} | 0.3 ² | 1.7 | V |
| VDDHI Brown Out Detect | V _{DDHI} Slope ≥ 100V/s ¹ | BOD _{VDDHI} | N/A | 1.7 | V |
| VREG Brown Out Detect | V _{DDHI} Slope ≥ 100V/s ¹ | BOD _{VREG} | N/A | 1.58 ³ | V |

¹Applicable to full “operating temperature” range

²For a power cycle, ensure lowering VDDHI below the minimum value before ramping VDDHI past the maximum POR value

³Table 3.1 Capacitors C1 & C3 should be chosen to comply with this specification

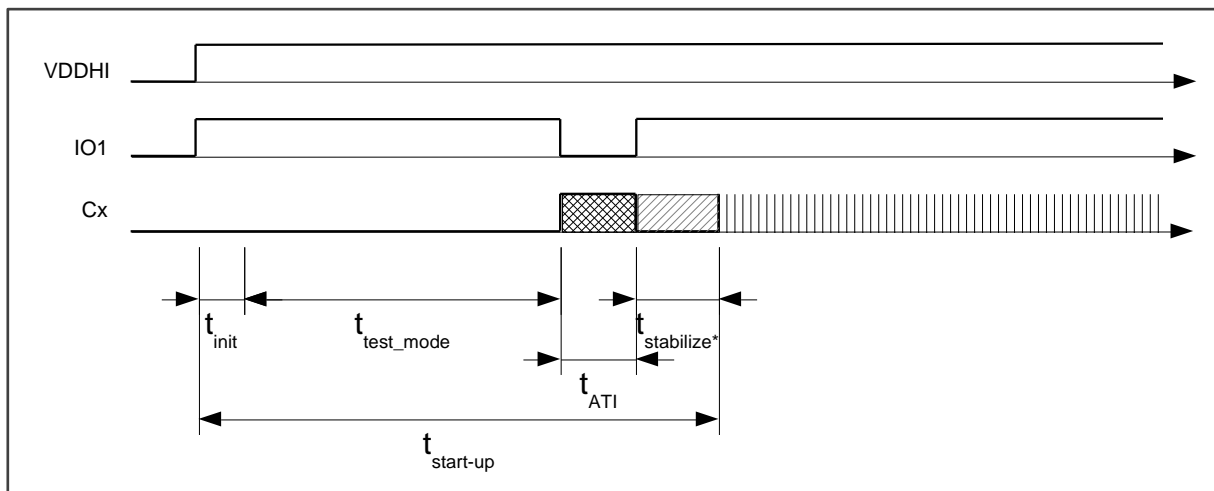


Figure 11.1 Timing Specification During Power-on

*Proximity or touches made during $t_{stabilize}$ will not be recognized but rather be part of the calibration.

Table 11.4 Various IQS231A/B Characteristics

| DESCRIPTION | MIN | TYP | MAX | UNIT |
|--|------|------|-----------------------|------|
| t_{init} | | 15 | | ms |
| t_{test_mode} | | 340 | Infinite ⁴ | ms |
| $t_{sensing_inactive}$ 30Hz – default | 396 | | 436 | ms |
| t_{ATI} | 41 | 41 | 81 | ms |
| $t_{stabilize}$ 30Hz – default | | 340 | | ms |
| $t_{stabilize}$ 100Hz | | 128 | | ms |
| $t_{stabilize}$ 8Hz | | 1192 | | ms |
| $t_{stabilize}$ 4Hz | | 2344 | | ms |
| $t_{comms_timeout}$ | - | 20 | - | ms |
| $t_{failsafe}$ | | 500 | | us |
| $t_{CLK_stretch}$ | | 5 | | ms |
| t_{filter_halt} | | 5 | | s |
| $t_{redoATI}$ | | 10 | | s |
| t_{awake} | | 9 | | ms |
| $R_{internal}$ | | 20 | | kΩ |
| R_{I2C_series} | | | 100 | Ω |
| $f_{sampling}$ | 16.5 | 500 | 500 | kHz |

⁴ The “test mode” timer “ t_{test_mode} ” will reset each time an I²C event occurs on the bus (eg. stop / start). Ensure that no I²C communications are done during “ t_{test_mode} ”.



Table 11.5 Digital Input Trigger Levels

| DESCRIPTION | CONDITIONS | PARAMETER | MIN | MAX | UNIT |
|--------------------|------------------|--------------------------|----------------|----------------|------|
| All digital inputs | Full VDDHI range | Input low level voltage | 0.3 * VDDHI | n/a | V |
| All digital inputs | Full VDDHI range | Input high level voltage | n/a | 0.7 * VDDHI | V |

Table 11.6 Digital Output Levels

| DESCRIPTION | CONDITIONS | PARAMETER | @1mA* | @10mA* | UNIT |
|---------------------|--------------|-----------------|-------|--------|------|
| Output voltage low | VDDHI = 3.3V | V _{OL} | 0.01 | 0.1 | V |
| Output voltage high | VDDHI = 3.3V | V _{OH} | n/a** | n/a** | V |

* Current sunked into output pin

** Only open drain output offered. Pull-up resistor to VDD recommended



11.2 I²C Timing Specifications

Table 11.7 I²C Timing Limits

| PARAMETER | | Standard mode | | Fast mode | | UNIT |
|---------------------|---|--|---------------|-----------|---------------|------|
| | | Min | Max | Min | Max | |
| V _{IL} | SDA/SCL digital input trigger low-level | -0.5 | 0.3*VDDH I | -0.5 | 0.3*VDDHI | V |
| V _{IH} | SDA/SCL digital input trigger high-level | 0.7*VDDHI | VDDHI +0.5 | 0.7*VDDHI | VDDHI +0.5 | V |
| f _{SCL} | SCL clock frequency | 0 | 100 | 0 | 400 | kHz |
| t _{LOW} | LOW period of the SCL clock | 4.7 | | 1.3 | | µs |
| t _{HIGH} | HIGH period of the SCL clock | 4 | | 0.6 | | µs |
| t _{HD,STA} | Hold time (repeated) START | 4 | | 0.6 | | µs |
| t _{SU,STA} | Setup time for a repeated START | 4.7 | | 0.6 | | µs |
| t _{HD,DAT} | Data hold time | 0 | | 0 | | µs |
| t _{SU,DAT} | Data setup time ⁵ | 100 ^(231A) 250 ^(231B) | | 100 | | ns |
| t _{VD,DAT} | Data valid time | 0 | 3.45 | 0 | 0.9 | µs |
| t _{VD,ACK} | Data valid acknowledge time | 0 | 3.45 | 0 | 0.9 | µs |
| t _{SU,STO} | Setup time for STOP | 4 | | 0.6 | | µs |
| t _{BUF} | Bus free time between a STOP and START condition | 4.7 | | 1.3 | | µs |
| t _r | Rise time for SDA and SCL | | 1000 | | 300 | ns |
| t _f | Fall time for SDA and SCL | | 300 | | 300 | ns |
| C _b | Capacitive load for each bus line | | 400 | | 400 | |
| t _{SP} | Pulse duration of spikes suppressed by input filter | No noise pulse suppression filter implemented | | | | ns |
| t _{WDT} | Clock low time-out (watchdog) | 130 | 140 | 130 | 140 | ms |

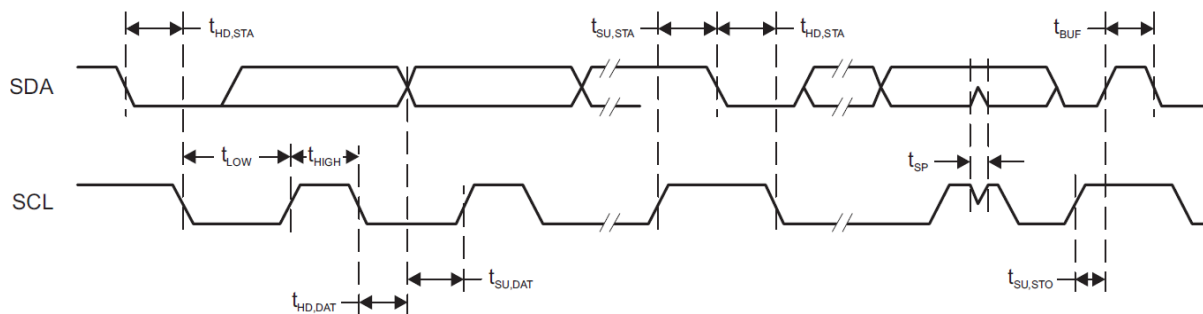


Figure 11.2 I²C Mode Timing

⁵ IQS231B is recommended for I²C usage at VDDHI=1.8V



12 Package Information

The device is available in three packages: TSOT23-6, DFN-6 & WLCSP-8.

12.1 TSOT23-6

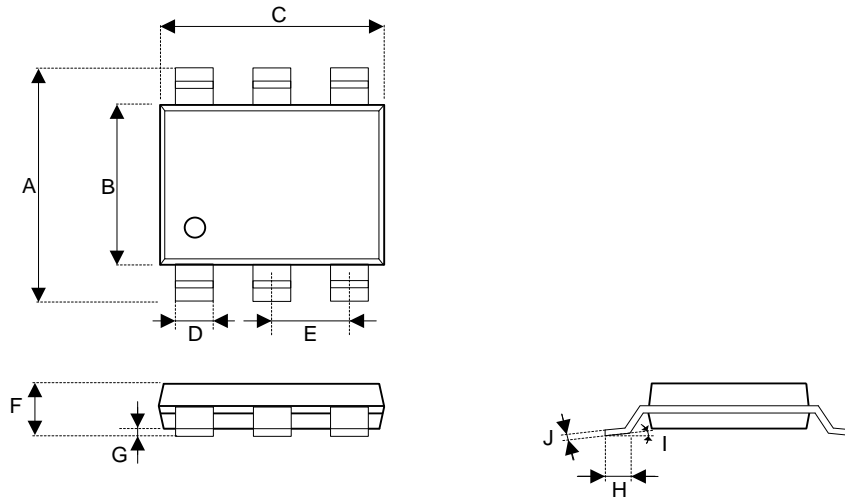


Figure 12.1 TSOT23-6 Packaging

Table 12.1 TSOT23-6 Dimensions

| Dimension | Min (mm) | Max (mm) |
|-----------|------------|----------|
| A | 2.60 | 3.00 |
| B | 1.50 | 1.70 |
| C | 2.80 | 3.00 |
| D | 0.30 | 0.50 |
| E | 0.95 Basic | |
| F | 0.84 | 1.00 |
| G | 0.00 | 0.10 |
| H | 0.30 | 0.50 |
| I | 0° | 8° |
| J | 0.03 | 0.20 |

12.2 DFN-6

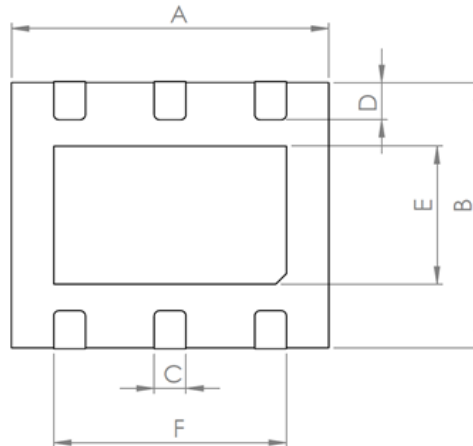


Figure 12.2 DFN-6 Package Dimensions (bottom view)

Table 12.2 DFN-6 Package Dimensions (bottom)

| Dimension | [mm] |
|-----------|------|
| A | 3.00 |
| B | 2.50 |
| C | 0.30 |
| D | 0.35 |
| E | 1.30 |
| F | 2.20 |

Table 12.3 DFN-6 Package Dimensions (side)

| Dimension | [mm] |
|-----------|------|
| G | 0.05 |
| H | 0.75 |
| I | 0.80 |

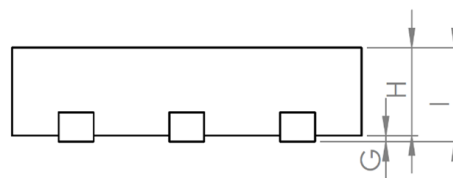
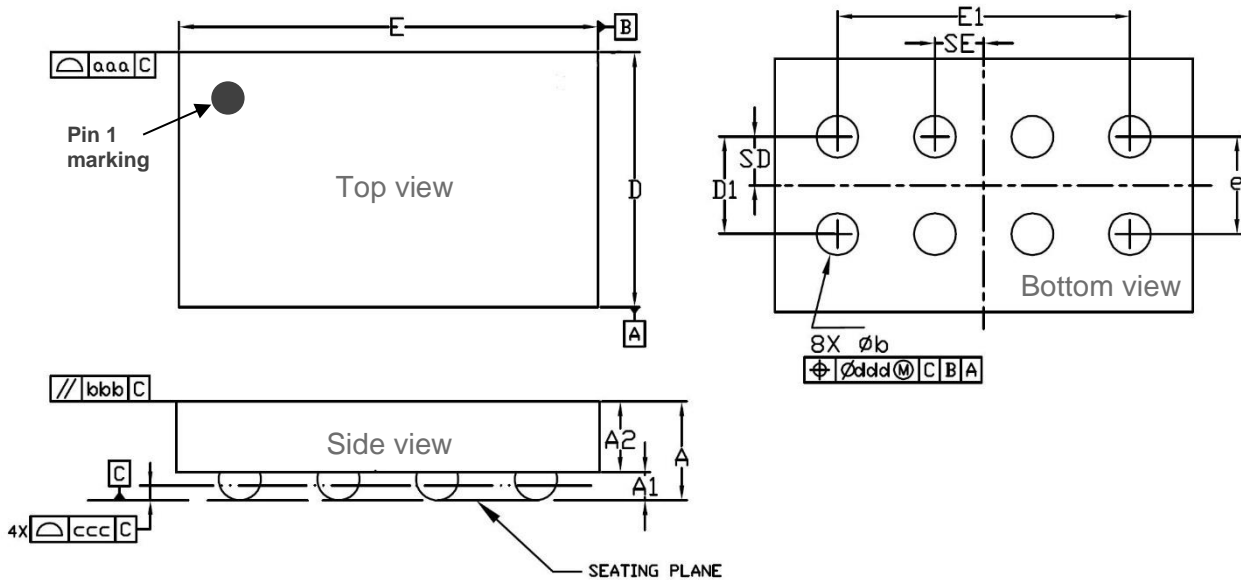


Figure 12.3 DFN-6 Package Dimensions (side)



12.3 WLCSP-8



| Dimensional Ref. | | | |
|-----------------------|-----------|-------|-------|
| REF. | Min. | Nom. | Max. |
| A | 0.310 | 0.350 | 0.390 |
| A1 | 0.085 | 0.100 | 0.115 |
| A2 | 0.225 | 0.250 | 0.275 |
| D | 0.865 | 0.880 | 0.895 |
| E | 1.455 | 1.470 | 1.485 |
| D1 | 0.300 | 0.350 | 0.400 |
| E1 | 1.000 | 1.050 | 1.100 |
| b | 0.125 | 0.150 | 0.175 |
| e | 0.350 BSC | | |
| SD | 0.175 BSC | | |
| SE | 0.175 BSC | | |
| Tol. of Form&Position | | | |
| aaa | 0.10 | | |
| bbb | 0.10 | | |
| ccc | 0.05 | | |
| ddd | 0.05 | | |

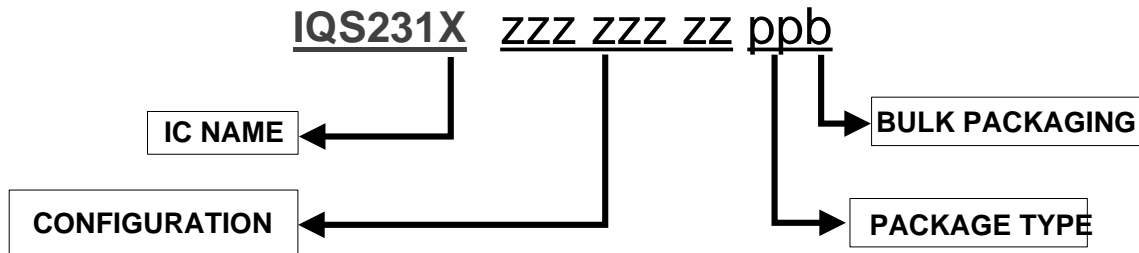
Figure 12.4 IQS231A WLCSP-8 Dimensions (in mm)



13 Ordering and Part-number Information

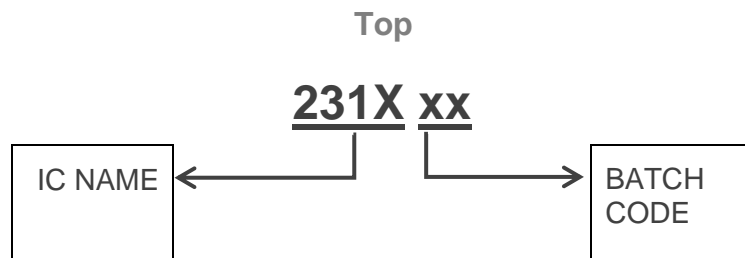
13.1 Ordering Information

Please check stock availability with your local distributor.

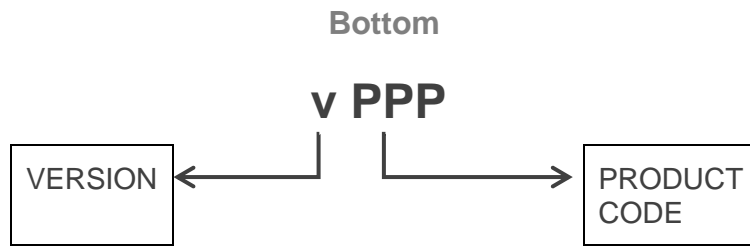


| | | | |
|-----------------------|------------|---|---|
| IC NAME | 231A | = | IQS231A |
| | 231B | = | IQS231B |
| CONFIGURATION | zzz zzz zz | = | IC configuration (hexadecimal) Default 000 000 00 (other configurations available on special request) |
| PACKAGE TYPE | DF | = | DFN-6 (IQS231B only) |
| | TS | = | TSOT23-6 package |
| | CS | = | WLCSP-8 package |
| BULK PACKAGING | R | = | Reel TSOT23-6 and WLCSP-8: 3000pcs/reel DFN-6: 6000pcs/reel |
| | MOQ | = | 1 reel (orders shipped as full reels) |

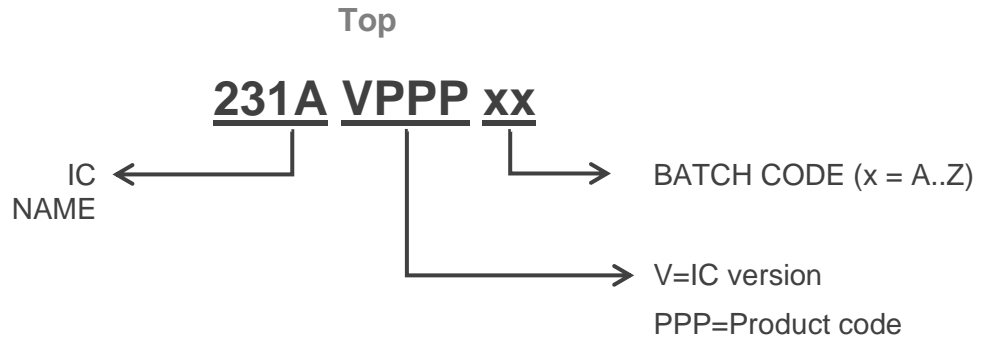
13.2 Device Numbering Convention – TSOT23-6



| | | | |
|-------------------|------|---|----------|
| IC NAME | 231A | = | IQS231A |
| | 231B | = | IQS231B |
| BATCH CODE | xx | = | AA to ZZ |

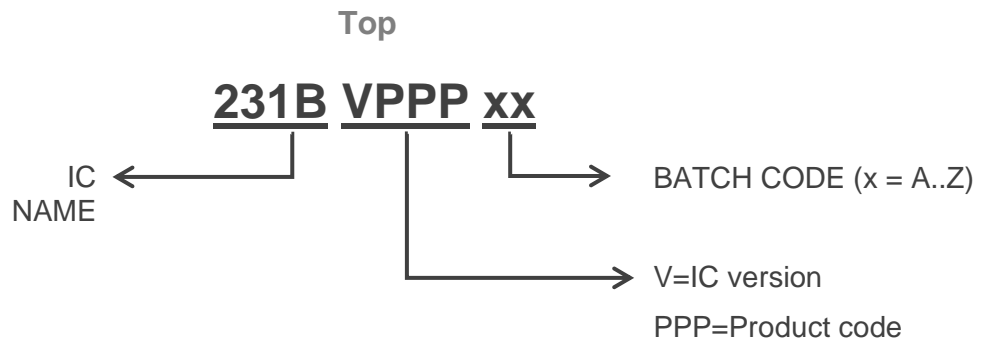


13.3 Device numbering Convention: 8-pin WLCSP



Bottom

No marking present

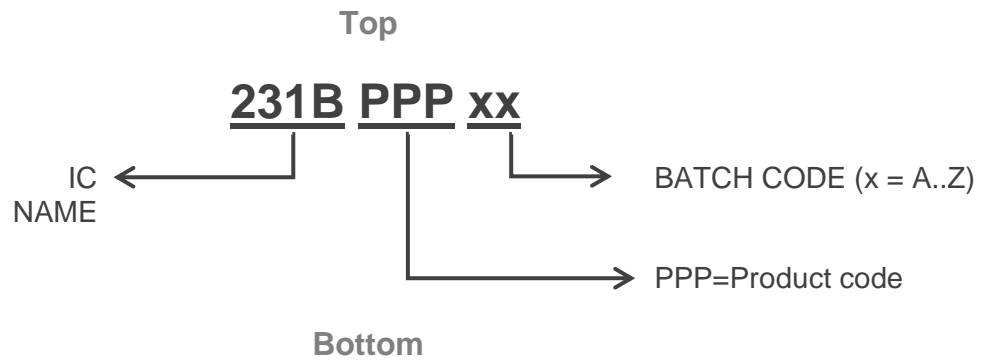


Bottom

No marking present



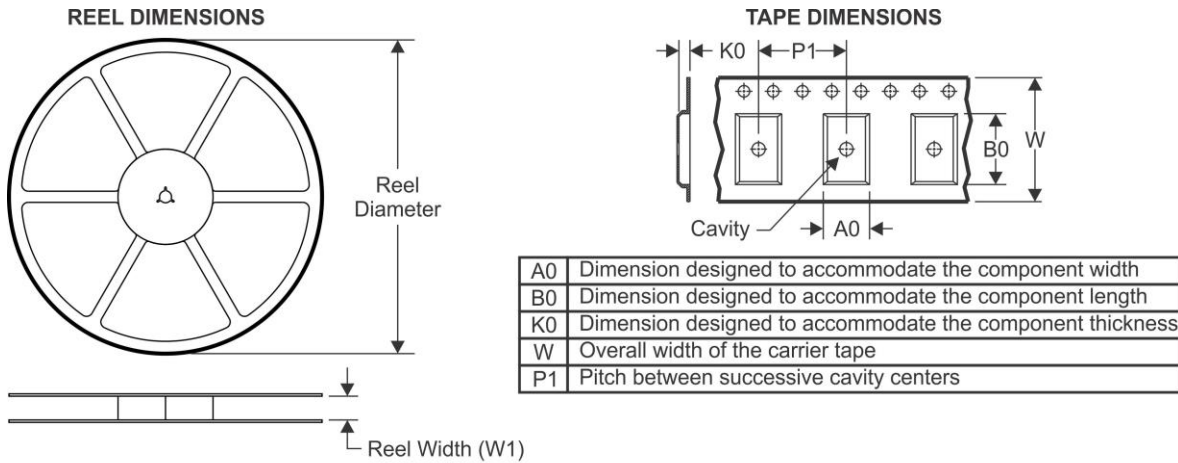
13.4 Device Numbering Convention – DFN6



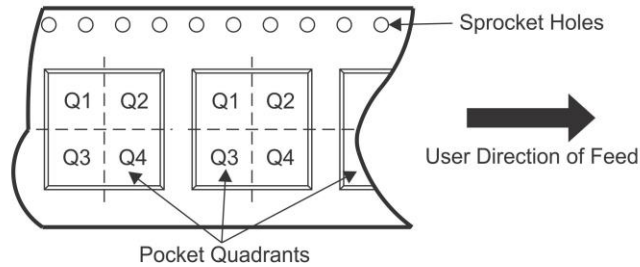
No marking present



14 Tape and Reel Information



QUADRANT ASSIGNMENTS FOR PIN 1 ORIENTATION IN TAPE



| Device | Package Type | Package Drawing | Pins | QTY per reel | Reel Diameter (mm) | Reel Width W1 (mm) | A0 (mm) | B0 (mm) | K0 (mm) | P1 (mm) | W (mm) | Pin1 Quadrant |
|-------------------|--------------|-----------------|------|--------------|--------------------|--------------------|---------|---------|---------|---------|--------|---------------|
| IQS231AzzzzzzzTSR | TSOT23/6 | TSOT23-6 | 6 | 3000 | 178 | 9.5 | 3.1 | 3.1 | 1.3 | 4 | 8 | Q3 |
| IQS231BzzzzzzzTSR | TSOT23/6 | TSOT23-6 | 6 | 3000 | 178 | 9.5 | 3.1 | 3.1 | 1.3 | 4 | 8 | Q3 |
| IQS231AzzzzzzzCSR | WLCSP8 | WLCSP-8 | 8 | 3000 | 179 | 8.4 | 1 | 1.55 | 0.48 | 4 | 8 | Q3 |
| IQS231BzzzzzzzCSR | WLCSP8 | WLCSP-8 | 8 | 3000 | 179 | 8.4 | 1 | 1.55 | 0.48 | 4 | 8 | Q3 |
| IQS231BzzzzzzzDFR | DFN6 | DFN-6 | 6 | 6000 | 330 | 12.4 | 2.8 | 3.3 | 1.2 | 4 | 12 | Q1 |



15 Revision History

| Revision Number | Description | Date of issue |
|-----------------|--|-------------------|
| v1.0 | IC release version | 16 March 2016 |
| V1.1 | TSOT23-6 package added BOD and POR values updated | 18 July 2016 |
| V1.2 | Reference schematic updated. Component selection guide also included | 8 September 2016 |
| V1.3 | Introduction added to first page Start-up and ATI time description added | 13 December 2016 |
| V1.4 | Switch from I ² C to standalone mode information updated | 10 February 2017 |
| V1.5 | WLCSP package information added | 13 March 2017 |
| V1.6 | Proximity threshold options in I ² C mode corrected Commands updated to include "Auto ATI on/off" Temperature compensation feature renamed to include the detection of radiated and conducted interference "I ² C and sensing timing" section added. Schematics updated with recommended components. | 18 July 2017 |
| V1.7 | Movement threshold option in I ² C mode errata Capacitive resolution and load capability added to introduction page WLCSP package pin 5 recommendation | 4 September 2017 |
| V1.8 | Added functional block diagram with basic function descriptions Added warning to section 4 OTP table when using the most sensitive settings. Updated and added AC filter information to section 9.2 Added section 8.8 & 8.9 with timing accuracy information Bottom marking changes for new device versions: see product change notices IQS231A minimum temperature has changed from -40°C to -20°C | 10 November 2017 |
| V2.0 | IQS231B TSOT23-6 option added | 28 May 2019 |
| V2.2 | Tape and reel information added | 9 January 2020 |
| V2.3 | IQS231B WLCSP details added | 22 January 2020 |
| V2.4 | Template update Schematic added for WLCSP package IO2 threshold definition defined for "ignore input, no output" VDDHI & VREG capacitor recommendations updated throughout datasheet Maximum load capacitance changed to 120pF | 21 September 2020 |
| V2.5 | DFN10 package removed DFN6 package added Tape and reel information added Maximum C _x pin capacitance | 14 October 2021 |




| | USA | Asia | South Africa |
|-------------------------|--|---|--|
| Physical Address | 11940 Jollyville Suite 120-S Austin TX 78750 USA | Room 501A, Block A, T-Share International Centre, Taoyuan Road, Nanshan District, Shenzhen, Guangdong, PRC | 1 Bergsig Avenue Paarl 7646 South Africa |
| Postal Address | 11940 Jollyville Suite 120-S Austin TX 78750 USA | Room 501A, Block A, T-Share International Centre, Taoyuan Road, Nanshan District, Shenzhen, Guangdong, PRC | PO Box 3534 Paarl 7620 South Africa |
| Tel | +1 512 538 1995 | +86 755 8303 5294 ext 808 | +27 21 863 0033 |
| Email | info@azoteq.com | info@azoteq.com | info@azoteq.com |

Visit www.azoteq.com

for a list of distributors and worldwide representation.

Patents as listed on www.azoteq.com/patents-trademarks/ may relate to the device or usage of the device.

Azoteq®, Crystal Driver®, IQ Switch®, ProxSense®, ProxFusion®, LightSense™, SwipeSwitch™, and the  logo are trademarks of Azoteq.

The information in this Datasheet is believed to be accurate at the time of publication. Azoteq uses reasonable effort to maintain the information up-to-date and accurate, but does not warrant the accuracy, completeness or reliability of the information contained herein. All content and information are provided on an "as is" basis only, without any representations or warranties, express or implied, of any kind, including representations about the suitability of these products or information for any purpose. Azoteq disclaims all warranties and conditions with regard to these products and information, including but not limited to all implied warranties and conditions of merchantability, fitness for a particular purpose, title and non-infringement of any third party intellectual property rights. Azoteq assumes no liability for any damages or injury arising from any use of the information or the product or caused by, without limitation, failure of performance, error, omission, interruption, defect, delay in operation or transmission, even if Azoteq has been advised of the possibility of such damages. The applications mentioned herein are used solely for the purpose of illustration and Azoteq makes no warranty or representation that such applications will be suitable without further modification, nor recommends the use of its products for application that may present a risk to human life due to malfunction or otherwise. Azoteq products are not authorized for use as critical components in life support devices or systems. No licenses to patents are granted, implicitly, express or implied, by estoppel or otherwise, under any intellectual property rights. In the event that any of the abovementioned limitations or exclusions does not apply, it is agreed that Azoteq's total liability for all losses, damages and causes of action (in contract, tort (including without limitation, negligence) or otherwise) will not exceed the amount already paid by the customer for the products. Azoteq reserves the right to alter its products, to make corrections, deletions, modifications, enhancements, improvements and other changes to the content and information, its products, programs and services at any time or to move or discontinue any contents, products, programs or services without prior notification. For the most up-to-date information and binding Terms and Conditions please refer to www.azoteq.com.