

High-Speed Quad Monolithic SPST CMOS Analog Switch

DESCRIPTION

The DG271B high speed quad single-pole single-throw analog switch is intended for applications that require low on-resistance, low leakage currents, and fast switching speeds.

Built on the Vishay Siliconix' proprietary high voltage silicon gate process to achieve superior on/off performance, each switch conducts equally well in both directions when on, and blocks up to the supply voltage when off. An epitaxial layer prevents latchup.

The DG271B has a redesign internal regulator which improves start-up over the DG271.

As a committed partner to the community and the environment, Vishay Siliconix manufactures this product with the lead (Pb)-free device terminations. For analog switching products manufactured with 100 % matte tin device terminations, the lead (Pb)-free "-E3" suffix is being used as a designator.

FEATURES

- Fast switching t_{ON} : 55 ns
- Low charge injection: 5 pC
- Low $R_{DS(on)}$: 32 Ω
- TTL/CMOS compatible
- Low leakage: 50 pA

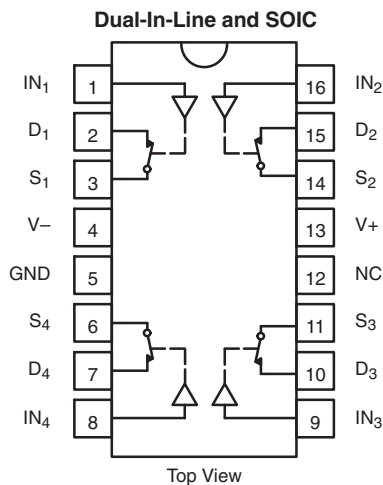
BENEFITS

- Fast settling times
- Reduced switching glitches
- High precision

APPLICATIONS

- High-speed switching
- Sample/hold
- Digital filters
- Op amp gain switching
- Automatic test equipment
- Choppers
- Communication systems

FUNCTIONAL BLOCK DIAGRAM AND PIN CONFIGURATION



TRUTH TABLE	
LOGIC	SWITCH
0	ON
1	OFF

Logic "0" ≤ 0.8 V

Logic "1" ≥ 2.4 V

*Pb containing terminations are not RoHS compliant, exemptions may apply

ORDERING INFORMATION		
TEMP. RANGE	PACKAGE	PART NUMBER
0 °C to 70 °C	16-Pin Plastic DIP	DG271BCJ-E3
-40 °C to 85 °C	16-Pin Narrow SOIC	DG271BDY-E3
		DG271BDY-T1-E3 (with Tape and Reel)



ABSOLUTE MAXIMUM RATINGS $T_A = 25\text{ }^\circ\text{C}$, unless otherwise noted			
PARAMETER		LIMIT	UNIT
V+ to V-		44	V
GND to V-		25	
Digital inputs ^a V_S, V_D		(V-) - 2 to (V+) + 2 or 20 mA, whichever occurs first	
Current, any terminal		30	mA
Peak current, S or D (pulsed at 1 ms, 10 % duty cycle max.)		100	
Storage temperature	(DY Suffix)	-65 to +150	$^\circ\text{C}$
	(CJ Suffix)	-65 to +125	
Power dissipation (package) ^b	16-Pin plastic DIP ^c	470	mW
	16-Pin plastic narrow SOIC ^d	600	

Notes

- a. Signals on SX, DX, or INX exceeding V+ or V- will be clamped by internal diodes. Limit forward diode current to maximum current ratings
- b. All leads welded or soldered to PC board
- c. Derate 6.5 mW/ $^\circ\text{C}$ above 75 $^\circ\text{C}$
- d. Derate 7.6 mW/ $^\circ\text{C}$ above 75 $^\circ\text{C}$

SPECIFICATIONS A							
PARAMETER	SYMBOL	TEST CONDITIONS UNLESS SPECIFIED V+ = 15 V, V- = -15 V V _{IN} = 2.4 V, 0.8 V ^f	TEMP ^a	C, D SUFFIX 0 $^\circ\text{C}$ TO 70 $^\circ\text{C}$ -40 $^\circ\text{C}$ TO 85 $^\circ\text{C}$			UNIT
				Min. ^d	Typ. ^c	Max. ^d	
Analog Switch							
Analog Signal Range ^e	V _{ANALOG}		Full	-15		15	V
Drain-Source On-Resistance	R _{DS(on)}	I _S = 1 mA, V _D = ± 10 V	Room Full		32	50 75	Ω
Switch Off Leakage Current	I _{S(off)}	V _D = ± 14 V, V _S = ± 14 V	Room Full	-1 -20	± 0.05	1 20	nA
	I _{D(off)}		Room Full	-1 -20		± 0.05	
Channel On Leakage Current	I _{D(on)+} I _{S(on)}	V _S = V _D = 14 V	Room Full	-1 -20	± 0.05	1 20	
Digital Control							
Input Current with Voltage High	I _{INH}	V _{IN} = 2 V	Full	-1	0.010	1	μA
		V _{IN} = 15 V	Full	-1	0.010	1	
Input Current with Voltage Low	I _{INL}	V _{IN} = 0 V	Full	-1	0.010	1	
Dynamic Characteristics							
Turn-On Time	t _{ON}	V _S = ± 10 V see figure 3	Room Full			55 80	ns
Turn-Off Time	t _{OFF}		Room Full			50 80	
Charge Injection	Q	C _L = 1 nF, V _S = 0 V, V _{gen} = 0 V, R _{gen} = 0 Ω See figure 3	Room		-5		pC
Source-Off Capacitance	C _{S(off)}	V _S = 0 V, V _{IN} = 5 V f = 1 MHz	Room		8		pF
Drain-Off Capacitance	C _{D(off)}		Room		8		
Channel On Capacitance	C _{D(on)}	V _D = V _S = 0 V, V _{IN} = 0 V	Room		30		
Off-Isolation	O _{IRR}	C _L = 10 pF, R _L = 1 k Ω	Room		85		dB
Crosstalk	X _{TALK}	f = 100 kHz, see figures 4 and 5	Room		100		
Power Supply							
Positive Supply Current	I+	All channels on or off V _{IN} = 5 V or 0 V	Room Full		5.5	7.5 9	mA
Negative Supply Current	I-		Room Full	-6 -8	-3.4		

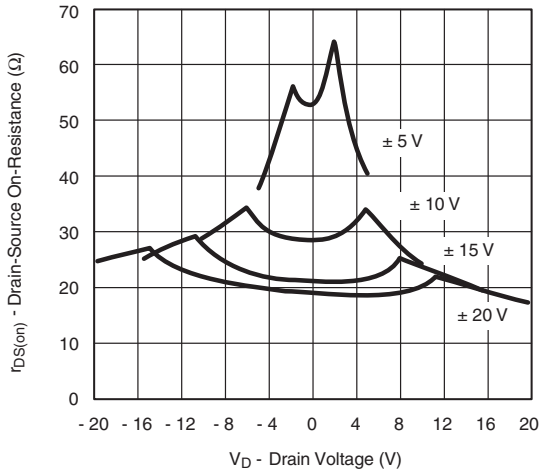
Notes

- a. Refer to process option flowchart
- b. Room = 25 $^\circ\text{C}$, Full = as determined by the operating temperature suffix
- c. Typical values are for design aid only, not guaranteed nor subject to production testing
- d. The algebraic convention whereby the most negative value is a minimum and the most positive a maximum, is used in this data sheet
- e. Guaranteed by design, not subject to production test
- f. V_{IN} = input voltage to perform proper function

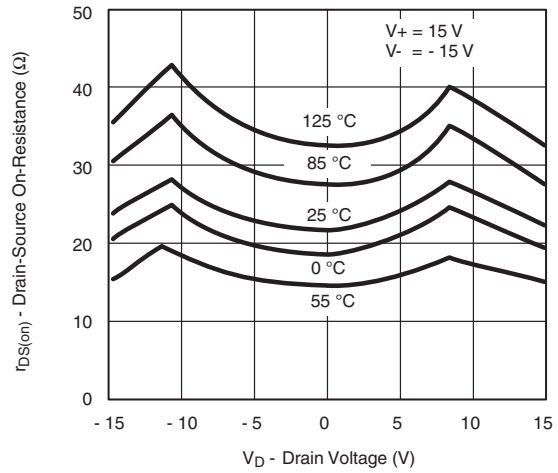
Stresses beyond those listed under "Absolute Maximum Ratings" may cause permanent damage to the device. These are stress ratings only, and functional operation of the device at these or any other conditions beyond those indicated in the operational sections of the specifications is not implied. Exposure to absolute maximum rating conditions for extended periods may affect device reliability.



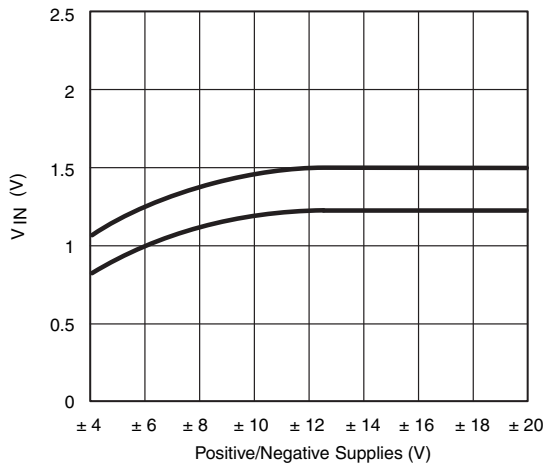
TYPICAL CHARACTERISTICS 25 °C, UNLESS OTHERWISE NOTED



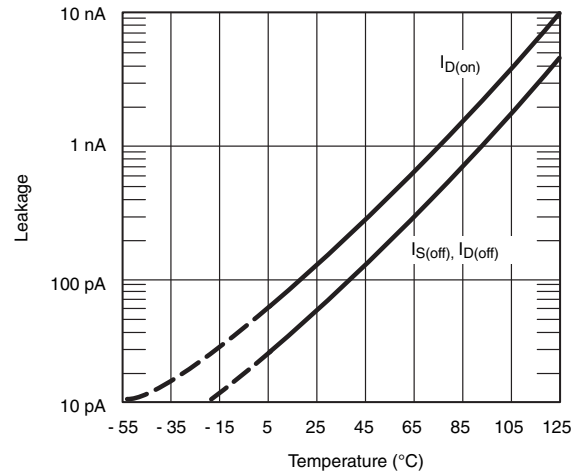
$R_{DS(on)}$ vs. V_D and Power Supply Voltages



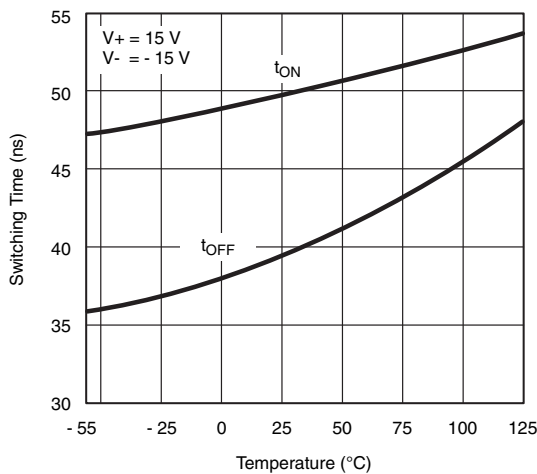
$R_{DS(on)}$ vs. V_D and Temperature



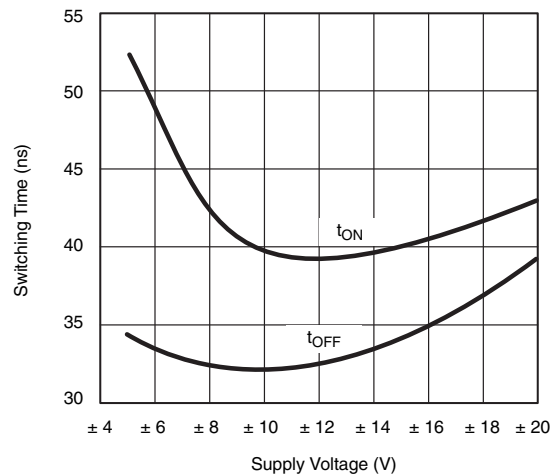
Input Switching Threshold vs. Supply Voltage



Leakage Currents vs. Temperature

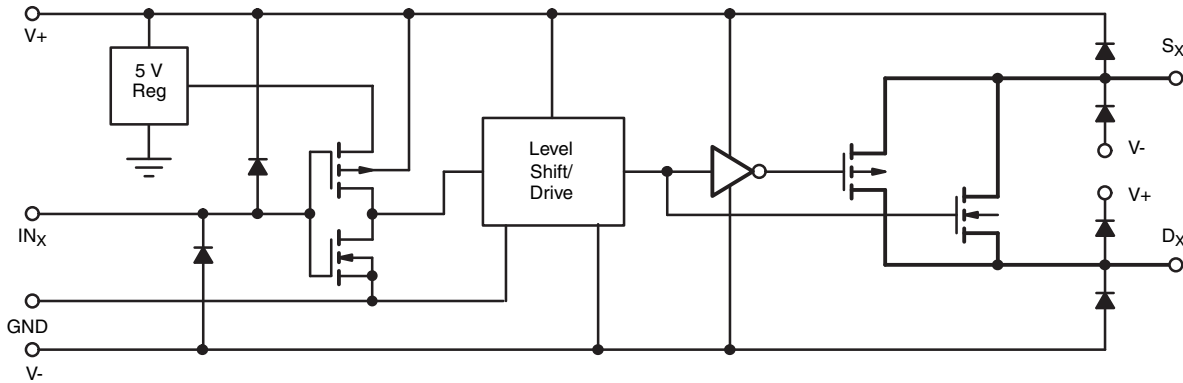


Switching Times vs. Temperature



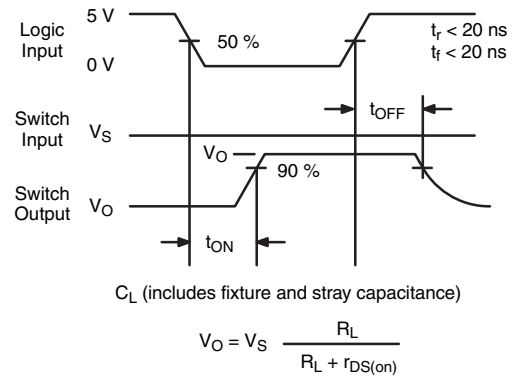
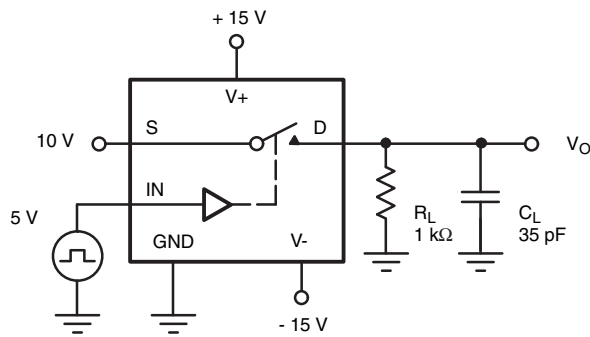
Switching Time vs. Power Supply Voltage

SCHEMATIC DIAGRAM TYPICAL CHANNEL



Typical Channel Diagram

TEST CIRCUITS



Switching Time



PRODUCT SUMMARY	
Part number	DG271B
Status code	2
Configuration	SPST x 4, NC
Single supply min. (V)	5
Single supply max. (V)	44
Dual supply min. (V)	5
Dual supply max. (V)	22
On-resistance (Ω)	32
Charge injection (pC)	-5
Source on capacitance (pF)	30
Source off capacitance (pF)	8
Leakage switch on typ. (nA)	0.05
Leakage switch off max. (nA)	20
-3 dB bandwidth (MHz)	-
Package	Plastic DIP-16, SO-16
Functional circuit / applications	Multi purpose, instrumentation, medical and healthcare
Interface	Parallel
Single supply operation	Yes
Dual supply operation	Yes
Turn on time max. (ns)	65
Crosstalk and off isolation	100

Vishay Siliconix maintains worldwide manufacturing capability. Products may be manufactured at one of several qualified locations. Reliability data for Silicon Technology and Package Reliability represent a composite of all qualified locations. For related documents such as package / tape drawings, part marking, and reliability data, see <http://www.vishay.com/ppg?70966>.



SOIC (NARROW): 16-LEAD
JEDEC Part Number: MS-012

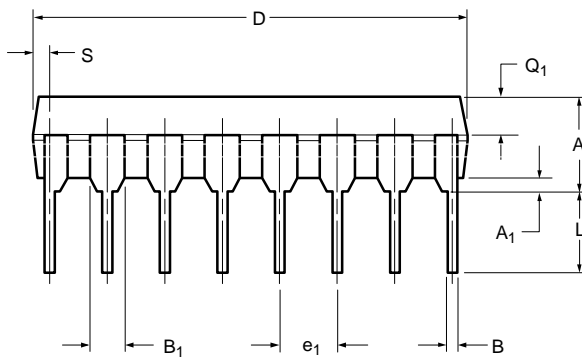
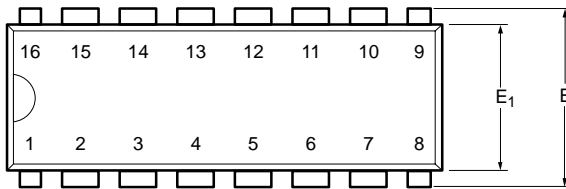


Dim	MILLIMETERS		INCHES	
	Min	Max	Min	Max
A	1.35	1.75	0.053	0.069
A ₁	0.10	0.20	0.004	0.008
B	0.38	0.51	0.015	0.020
C	0.18	0.23	0.007	0.009
D	9.80	10.00	0.385	0.393
E	3.80	4.00	0.149	0.157
e	1.27 BSC		0.050 BSC	
H	5.80	6.20	0.228	0.244
L	0.50	0.93	0.020	0.037
∅	0°	8°	0°	8°

ECN: S-03946—Rev. F, 09-Jul-01
DWG: 5300



PDIP: 16-LEAD



Dim	MILLIMETERS		INCHES	
	Min	Max	Min	Max
A	3.81	5.08	0.150	0.200
A₁	0.38	1.27	0.015	0.050
B	0.38	0.51	0.015	0.020
B₁	0.89	1.65	0.035	0.065
C	0.20	0.30	0.008	0.012
D	18.93	21.33	0.745	0.840
E	7.62	8.26	0.300	0.325
E₁	5.59	7.11	0.220	0.280
e₁	2.29	2.79	0.090	0.110
e_A	7.37	7.87	0.290	0.310
L	2.79	3.81	0.110	0.150
Q₁	1.27	2.03	0.050	0.080
S	0.38	1.52	.015	0.060

ECN: S-03946—Rev. D, 09-Jul-01
DWG: 5482

RECOMMENDED MINIMUM PADS FOR SO-16



Recommended Minimum Pads
Dimensions in Inches/(mm)

[Return to Index](#)



Disclaimer

ALL PRODUCT, PRODUCT SPECIFICATIONS AND DATA ARE SUBJECT TO CHANGE WITHOUT NOTICE TO IMPROVE RELIABILITY, FUNCTION OR DESIGN OR OTHERWISE.

Vishay Intertechnology, Inc., its affiliates, agents, and employees, and all persons acting on its or their behalf (collectively, "Vishay"), disclaim any and all liability for any errors, inaccuracies or incompleteness contained in any datasheet or in any other disclosure relating to any product.

Vishay makes no warranty, representation or guarantee regarding the suitability of the products for any particular purpose or the continuing production of any product. To the maximum extent permitted by applicable law, Vishay disclaims (i) any and all liability arising out of the application or use of any product, (ii) any and all liability, including without limitation special, consequential or incidental damages, and (iii) any and all implied warranties, including warranties of fitness for particular purpose, non-infringement and merchantability.

Statements regarding the suitability of products for certain types of applications are based on Vishay's knowledge of typical requirements that are often placed on Vishay products in generic applications. Such statements are not binding statements about the suitability of products for a particular application. It is the customer's responsibility to validate that a particular product with the properties described in the product specification is suitable for use in a particular application. Parameters provided in datasheets and / or specifications may vary in different applications and performance may vary over time. All operating parameters, including typical parameters, must be validated for each customer application by the customer's technical experts. Product specifications do not expand or otherwise modify Vishay's terms and conditions of purchase, including but not limited to the warranty expressed therein.

Hyperlinks included in this datasheet may direct users to third-party websites. These links are provided as a convenience and for informational purposes only. Inclusion of these hyperlinks does not constitute an endorsement or an approval by Vishay of any of the products, services or opinions of the corporation, organization or individual associated with the third-party website. Vishay disclaims any and all liability and bears no responsibility for the accuracy, legality or content of the third-party website or for that of subsequent links.

Vishay products are not designed for use in life-saving or life-sustaining applications or any application in which the failure of the Vishay product could result in personal injury or death unless specifically qualified in writing by Vishay. Customers using or selling Vishay products not expressly indicated for use in such applications do so at their own risk. Please contact authorized Vishay personnel to obtain written terms and conditions regarding products designed for such applications.

No license, express or implied, by estoppel or otherwise, to any intellectual property rights is granted by this document or by any conduct of Vishay. Product names and markings noted herein may be trademarks of their respective owners.