

# NS3L500

## 3.3V, 8-Channel, 2:1 Gigabit Ethernet LAN Switch with LED Switch

The NS3L500 is a 8-channel 2:1 LAN switch with 3 additional built-in SPDT switches for LED routing. This switch is ideal for Gigabit LAN applications due to its low ON-state resistance and capacitance giving the switch a typical bandwidth of 800 MHz. The switch also has excellent ON-state resistance match, low bit-to-bit skew, and low crosstalk among channels. The switch is bidirectional and offers little or no attenuation of the high-speed signals at the outputs.

This part can be used to replace mechanical relays in low-voltage LAN applications that interface a physical layer over CAT 5 or CAT 6 unshielded twisted pair cable through an isolation transformer. The NS3L500 is available in a 56-pin WQFN package and operates over the extended  $-40^{\circ}\text{C}$  to  $+85^{\circ}\text{C}$  temperature range.

### Features

- $V_{CC}$  Operating Range: +3.0 V to +3.6 V
- Low ON-State Resistance ( $R_{ON} = 4 \Omega$  Typical)
- Low ON-State Capacitance ( $C_{ON} = 7 \text{ pF}$  Typical)
- Flat ON-State Resistance ( $R_{ON}(\text{flat}) = 0.5 \Omega$  Typical)
- Wide Bandwidth (800 MHz Typical)
- Low Crosstalk ( $X_{TALK} = -37 \text{ dB}$  Typical)
- Near-Zero Propagation Delay: 250 ps
- Low Bit-to-Bit Skew ( $t_{sk(o)} = 100 \text{ ps Max}$ )
- Three SPDT Channels for LED Signal Switching
- Packaging: 56-Pin WQFN
- Pin-to-Pin Compatible with PI3L500-A, TS3L500AE and MAX4927
- These Devices are Pb-Free, Halogen Free/BFR Free and are RoHS Compliant

### Typical Applications

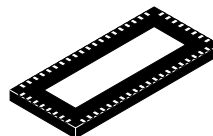
- 10/100/1000 Base-T Ethernet Signal Switching
- Notebooks and Docking Stations
- Hub and Router Signal Switching
- Differential (LVDS, LVPECL) Signal Switching



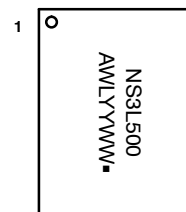
ON Semiconductor®

<http://onsemi.com>

### MARKING DIAGRAMS



WQFN56  
MT SUFFIX  
CASE 510AK

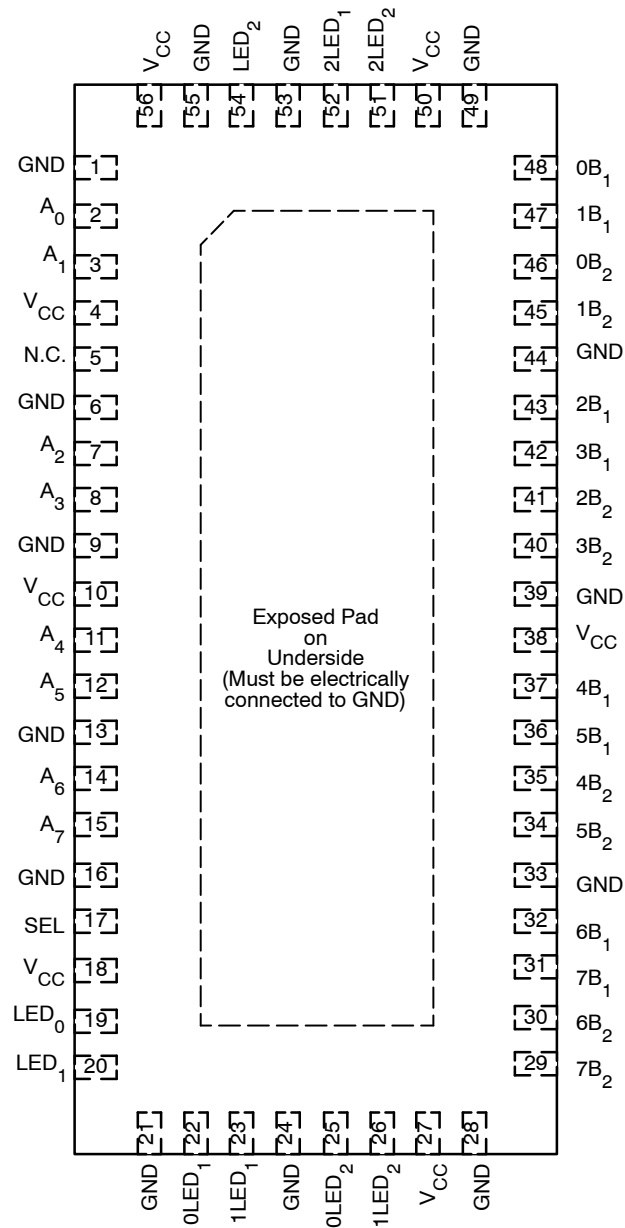


- A = Assembly Location
- WL = Wafer Lot
- YY = Year
- WW = Work Week
- = Pb-Free Package

### ORDERING INFORMATION

See detailed ordering and shipping information in the package dimensions section on page 9 of this data sheet.

# NS3L500



**Figure 1. Pinout  
(Top View)**

# NS3L500

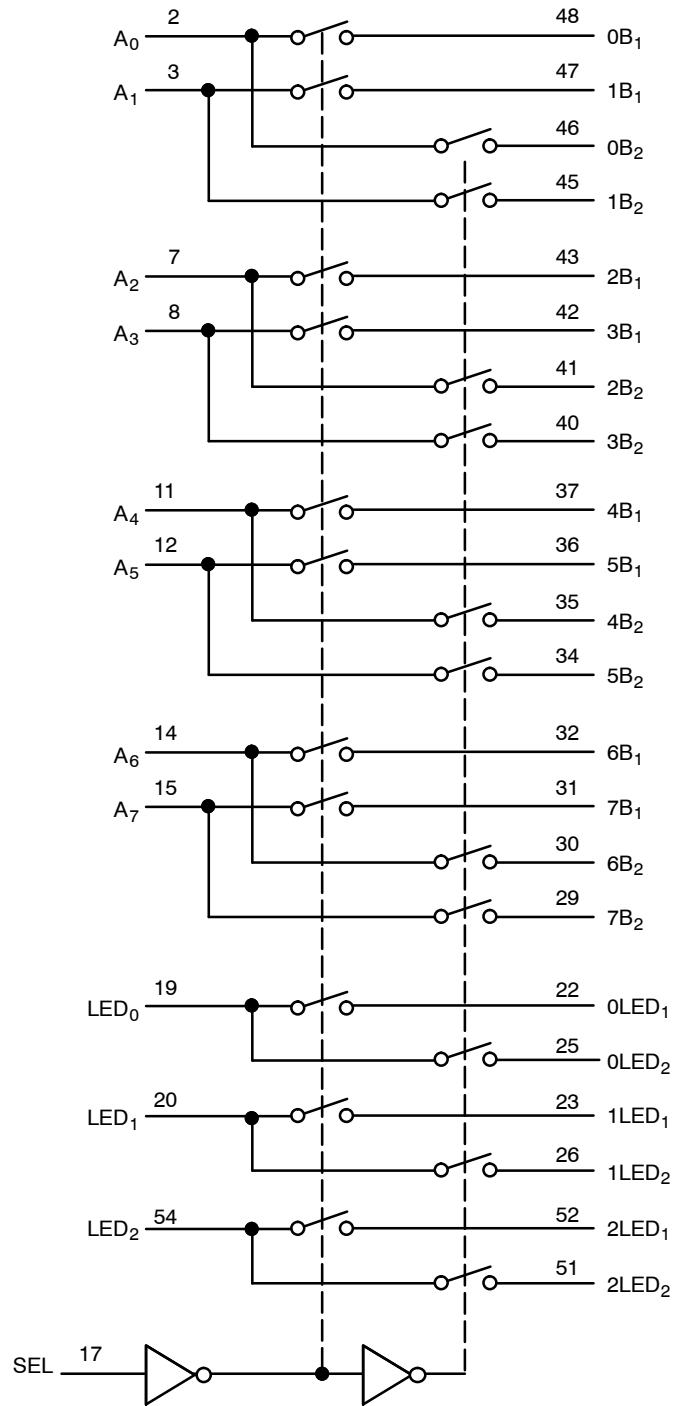


Figure 2. Block Diagram

## PIN DESCRIPTION

Pin Name	Description
A <sub>x</sub>	Data I/Os
xB <sub>y</sub>	Data I/Os
SEL	Select Input
LED <sub>x</sub>	LED I/O Port
xLED <sub>y</sub>	LED I/O Port

## TRUTH TABLE

SEL	Function
L	A <sub>x</sub> to xB <sub>1</sub> : LED <sub>x</sub> to xLED <sub>1</sub>
H	A <sub>x</sub> to xB <sub>2</sub> : LED <sub>x</sub> to xLED <sub>2</sub>

# NS3L500

## MAXIMUM RATINGS

Symbol	Pins	Parameter	Value	Unit
V <sub>CC</sub>	V <sub>CC</sub>	Positive DC Supply Voltage	-0.5 to +5.5	V
V <sub>IN</sub>	SEL	Control Input Voltage	-0.5 to +5.5	V
V <sub>I/O</sub>	A <sub>X</sub> , xB <sub>Y</sub> , LED <sub>X</sub> , xLED <sub>Y</sub>	Switch I/O Voltage Range	-0.5 to V <sub>CC</sub> +0.5	V
I <sub>CC</sub>	V <sub>CC</sub>	DC Output Current	± 120	mA
I <sub>IK</sub>	SEL	Control Input Clamp Current	-50	mA
I <sub>I/O</sub>	A <sub>X</sub> , xB <sub>Y</sub> , LED <sub>X</sub> , xLED <sub>Y</sub>	ON-State Switch Current	± 120	mA
R <sub>θJA</sub>		Thermal Resistance, Junction-to-Air	125	°C/W
T <sub>S</sub>		Storage Temperature	-65 to +150	°C

Stresses exceeding Maximum Ratings may damage the device. Maximum Ratings are stress ratings only. Functional operation above the Recommended Operating Conditions is not implied. Extended exposure to stresses above the Recommended Operating Conditions may affect device reliability.

## RECOMMENDED OPERATING CONDITIONS

Symbol	Pins	Parameter	Value	Unit
V <sub>CC</sub>	V <sub>CC</sub>	Positive DC Supply Voltage	+3.0 to +3.6	V
V <sub>IN</sub>	SEL	Control Input Voltage	0 to +5.5	V
V <sub>I/O</sub>	A <sub>X</sub> , xB <sub>Y</sub> , LED <sub>X</sub> , xLED <sub>Y</sub>	Switch I/O Voltage Range	0 to V <sub>CC</sub>	V
T <sub>A</sub>		Operating Temperature	-40 to +85	°C

Minimum and maximum values are guaranteed through test or design across the Recommended Operating Conditions, where applicable. Typical values are listed for guidance only and are based on the particular conditions listed for section, where applicable. These conditions are valid for all values found in the characteristics tables unless otherwise specified in the test conditions.

# NS3L500

## DC ELECTRICAL CHARACTERISTICS (Typical: T = 25°C, V<sub>CC</sub> = 3.3 V)

Symbol	Pins	Parameters	Conditions	-40°C to +85°C			Unit
				Min	Typ	Max	
<b>1000 BASE-T ETHERNET SWITCHING</b>							
V <sub>IH</sub>	SEL	Control Input HIGH Voltage		2		5.5	V
V <sub>IL</sub>	SEL	Control Input LOW Voltage		-0.5		0.8	V
V <sub>IK</sub>	SEL	Clamp Diode Voltage	V <sub>CC</sub> = Max, I <sub>IN</sub> = -18 mA		-0.7	-1.2	V
I <sub>IH</sub>	SEL	Input HIGH Current	V <sub>CC</sub> = Max, V <sub>IN</sub> = V <sub>CC</sub>	-1		+1	μA
I <sub>IL</sub>	SEL	Input LOW Current	V <sub>CC</sub> = Max, V <sub>IN</sub> = GND	-1		+1	μA
I <sub>OFF</sub>	SEL	Off-Leakage Current	V <sub>CC</sub> = 0 V, V <sub>IN</sub> = 0 V to 3.6 V			±1.5	μA
I <sub>CC</sub>	V <sub>CC</sub>	Quiescent Supply Current	V <sub>CC</sub> = 3.6 V, V <sub>IN</sub> = V <sub>CC</sub> or GND, I <sub>O</sub> = 0 mA		250	600	μA
I <sub>LA(OFF)</sub>	A <sub>X</sub> , xB <sub>Y</sub>	Off-Leakage Current	V <sub>CC</sub> = 3.6 V, V <sub>A<sub>X</sub></sub> = 0.3 V, 3.3 V; V <sub>x<sub>B</sub>1</sub> or V <sub>x<sub>B</sub>2</sub> = 3.3 V, 0.3 V	-1		+1	μA
I <sub>LA(ON)</sub>	A <sub>X</sub> , xB <sub>Y</sub>	On-Leakage Current	V <sub>CC</sub> = 3.6 V, V <sub>A<sub>X</sub></sub> = 0.3 V, 3.3 V; V <sub>x<sub>B</sub>1</sub> or V <sub>x<sub>B</sub>2</sub> = 0.3 V, 3.3 V, or floating	-1		+1	μA
R <sub>ON</sub>	A <sub>X</sub> , xB <sub>Y</sub>	On-Resistance	V <sub>CC</sub> = 3 V, 1.5 V ≤ V <sub>IN</sub> ≤ V <sub>CC</sub> , I <sub>O</sub> = -40 mA		4	7	Ω
R <sub>ON(FLAT)</sub>	A <sub>X</sub> , xB <sub>Y</sub>	On-Resistance Flatness	V <sub>CC</sub> = 3 V, V <sub>IN</sub> = 1.5 V and V <sub>CC</sub> , I <sub>O</sub> = -40 mA		0.5		Ω
ΔR <sub>ON</sub>	A <sub>X</sub> , xB <sub>Y</sub>	On-Resistance Match Between Switch Pairs	V <sub>CC</sub> = 3 V, 1.5 V ≤ V <sub>IN</sub> ≤ V <sub>CC</sub> , I <sub>O</sub> = -40 mA		0.4	1	Ω

## 10/100 BASE-T ETHERNET SWITCHING

V <sub>IH</sub>	SEL	Control Input HIGH Voltage		2		5.5	V
V <sub>IL</sub>	SEL	Control Input LOW Voltage		-0.5		0.8	V
V <sub>IK</sub>	SEL	Clamp Diode Voltage	V <sub>CC</sub> = Max, I <sub>IN</sub> = -18 mA		-0.7	-1.2	V
I <sub>IH</sub>	SEL	Input HIGH Current	V <sub>CC</sub> = Max, V <sub>IN</sub> = V <sub>CC</sub>	-1		+1	μA
I <sub>IL</sub>	SEL	Input LOW Current	V <sub>CC</sub> = Max, V <sub>IN</sub> = GND	-1		+1	μA
I <sub>OFF</sub>	SEL	Off-Leakage Current	V <sub>CC</sub> = 0 V, V <sub>IN</sub> = 0 V to 3.6 V			±1.5	μA
I <sub>CC</sub>	V <sub>CC</sub>	Quiescent Supply Current	V <sub>CC</sub> = 3.6 V, V <sub>IN</sub> = V <sub>CC</sub> or GND, I <sub>O</sub> = 0 mA		250	600	μA
I <sub>LA(OFF)</sub>	A <sub>X</sub> , xB <sub>Y</sub>	Off-Leakage Current	V <sub>CC</sub> = 3.6 V, V <sub>A<sub>X</sub></sub> = 0.3 V, 3.3 V; V <sub>x<sub>B</sub>1</sub> or V <sub>x<sub>B</sub>2</sub> = 3.3 V, 0.3 V	-1		+1	μA
I <sub>LA(ON)</sub>	A <sub>X</sub> , xB <sub>Y</sub>	On-Leakage Current	V <sub>CC</sub> = 3.6 V, V <sub>A<sub>X</sub></sub> = 0.3 V, 3.3 V; V <sub>x<sub>B</sub>1</sub> or V <sub>x<sub>B</sub>2</sub> = 0.3 V, 3.3 V, or floating	-1		+1	μA
R <sub>ON</sub>	A <sub>X</sub> , xB <sub>Y</sub>	On-Resistance	V <sub>CC</sub> = 3 V, 1.25 V ≤ V <sub>IN</sub> ≤ V <sub>CC</sub> , I <sub>O</sub> = -10 mA to -30 mA		4	6	Ω
R <sub>ON(FLAT)</sub>	A <sub>X</sub> , xB <sub>Y</sub>	On-Resistance Flatness	V <sub>CC</sub> = 3 V, V <sub>IN</sub> = 1.25 V and V <sub>CC</sub> , I <sub>O</sub> = -10 mA to -30 mA		0.5		Ω
ΔR <sub>ON</sub>	A <sub>X</sub> , xB <sub>Y</sub>	On-Resistance Match Between Switch Pairs	V <sub>CC</sub> = 3 V, 1.25 V ≤ V <sub>IN</sub> ≤ V <sub>CC</sub> , I <sub>O</sub> = -10 mA to -30 mA		0.4	1	Ω

# NS3L500

## DC ELECTRICAL CHARACTERISTICS (Typical: T = 25°C, V<sub>CC</sub> = 3.3 V)

Symbol	Pins	Parameters	Conditions	-40°C to +85°C			Unit
				Min	Typ	Max	
<b>LED SWITCHING</b>							
R <sub>ON</sub>	LED <sub>X</sub> , xLED <sub>Y</sub>	On-Resistance	V <sub>CC</sub> = 3 V, 1.25 V ≤ V <sub>IN</sub> ≤ V <sub>CC</sub> , I <sub>O</sub> = -40 mA		15	25	Ω
R <sub>ON(FLAT)</sub>	LED <sub>X</sub> , xLED <sub>Y</sub>	On-Resistance Flatness	V <sub>CC</sub> = 3 V, V <sub>IN</sub> = 1.25 V and V <sub>CC</sub> , I <sub>O</sub> = -40 mA		8		Ω
ΔR <sub>ON</sub>	LED <sub>X</sub> , xLED <sub>Y</sub>	On-Resistance Match Between Switch Pairs	V <sub>CC</sub> = 3 V, 1.25 V ≤ V <sub>IN</sub> ≤ V <sub>CC</sub> , I <sub>O</sub> = -40 mA		1	2	Ω

## AC ELECTRICAL CHARACTERISTICS (Typicals: T = 25°C, V<sub>CC</sub> = 3.3 V)\*

Symbol	Pins	Parameters	Conditions	-40°C to +85°C			Unit
				Min	Typ	Max	
<b>SWITCHING CHARACTERISTICS</b>							
t <sub>PLH</sub> , t <sub>PHL</sub>	A <sub>X</sub> , xB <sub>Y</sub>	Propagation Delay	V <sub>CC</sub> = 3.0 V to 3.6 V (Figure 3)		0.25		ns
t <sub>ON</sub>	SEL, xLED <sub>Y</sub>	Line Enable Time – SEL to xLED <sub>Y</sub>	Output: Closed to Open V <sub>CC</sub> = 3.0 V to 3.6 V (Figure 4)	0.5		15	ns
	SEL, xB <sub>Y</sub>	Lines Enable Time – SEL to xB <sub>Y</sub>		0.5		3	μs
t <sub>OFF</sub>	SEL, xLED <sub>Y</sub>	Line Enable Time – SEL to xLED <sub>Y</sub>	Output: Open to Closed V <sub>CC</sub> = 3.0 V to 3.6 V (Figure 4)	0.5		9	ns
	SEL, xB <sub>Y</sub>	Lines Enable Time – SEL to xB <sub>Y</sub>		0.5		35	ns
t <sub>SK(O)</sub>	A <sub>X</sub> , xB <sub>Y</sub>	Output Skew between center port to any other port	V <sub>CC</sub> = 3.0 V to 3.6 V (Calculated, Figure 3)		50	100	ps
t <sub>SK(P)</sub>	A <sub>X</sub> , xB <sub>Y</sub>	Skew between opposite transition of the same output (t <sub>PHL</sub> – t <sub>PLH</sub> )	V <sub>CC</sub> = 3.0 V to 3.6 V (Calculated, Figure 3)		50	100	ps

## DYNAMIC ELECTRICAL CHARACTERISTICS

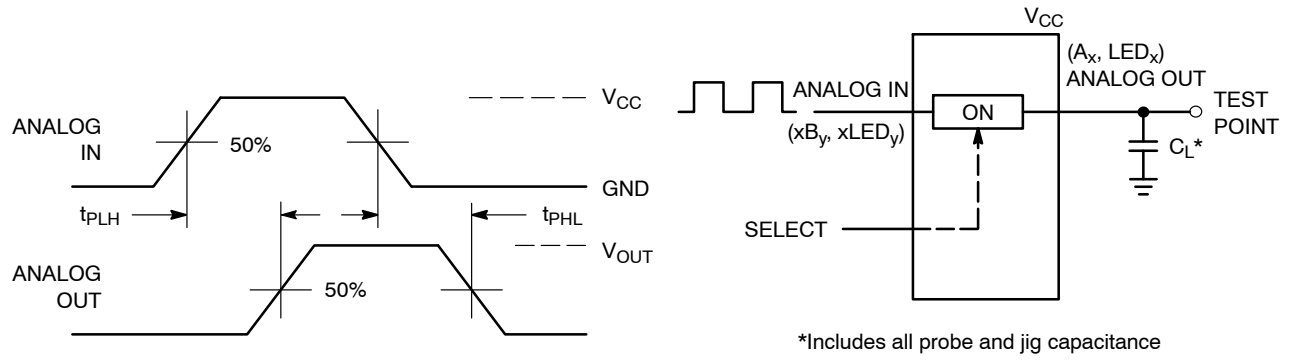
BW	xB <sub>Y</sub> , xLED <sub>Y</sub>	-3 dB Bandwidth	R <sub>L</sub> = 100 Ω (Figure 5)		800		MHz
O <sub>IRR</sub>	A <sub>X</sub> , LED <sub>X</sub>	Off – Isolation	R <sub>L</sub> = 100 Ω, f = 250 MHz (Figure 6)		-37		dB
X <sub>TALK</sub>	A <sub>X</sub> to xB <sub>Y</sub> A <sub>(X+2)</sub> to (X+2)B <sub>Y</sub>	Crosstalk	R <sub>L</sub> = 100 Ω, f = 250 MHz (Figure 7)		-37		dB

## CAPACITANCE

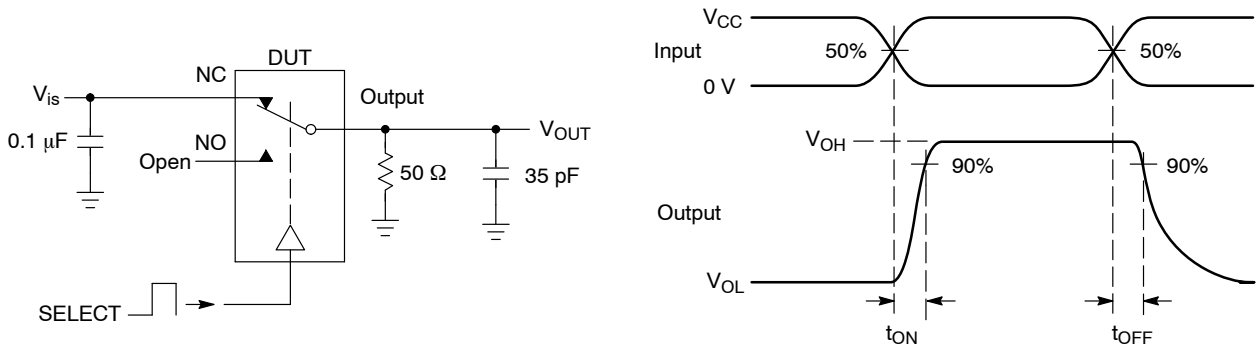
C <sub>IN</sub>	SEL	Control Pin Input Capacitance	V <sub>IN</sub> = 0 V, f = 1 MHz		2	3	pF
C <sub>ON</sub>	A <sub>X</sub> , xB <sub>Y</sub>	ON Capacitance	V <sub>IN</sub> = 0 V, f = 1 MHz, Outputs Open, Switch ON		7	10	pF
C <sub>OFF</sub>	xB <sub>Y</sub>	B Port Switch Capacitance	V <sub>IN</sub> = 0 V, f = 1 MHz, Outputs Open, Switch OFF		5	6	pF

\*Guaranteed by design and/or characterization.

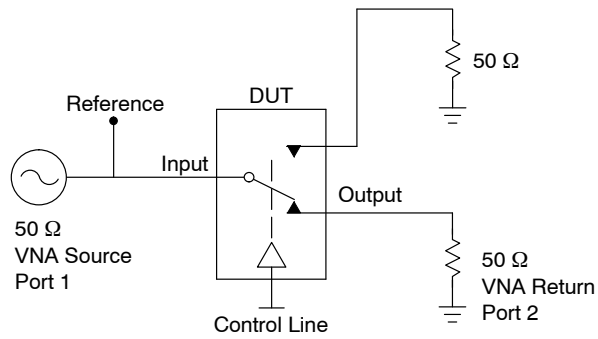
# NS3L500



**Figure 3. Propagation Delay**

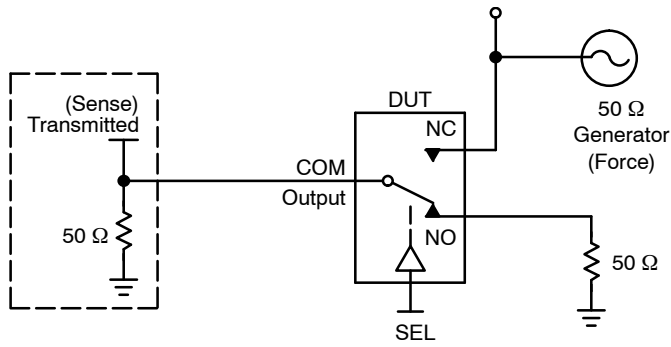


**Figure 4.  $t_{ON}/t_{OFF}$**

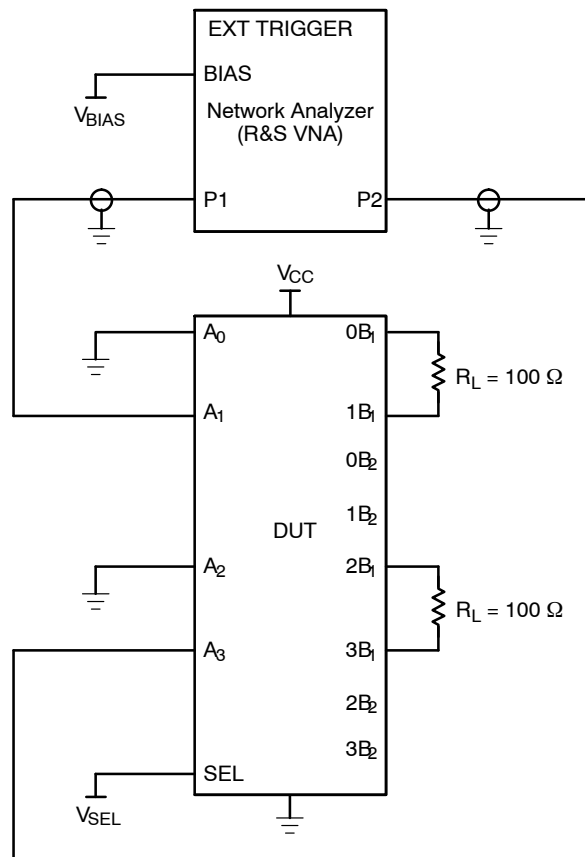


**Figure 5. Bandwidth**

## NS3L500



**Figure 6. Off-Isolation**



1.  $C_L$  includes probe and jig capacitance.
2. A  $50\ \Omega$  termination resistor is needed to match the loading of the network analyzer.

**Figure 7. Test Circuit for Crosstalk ( $X_{TALK}$ )**

Crosstalk is measured at the output of the nonadjacent ON channel. For example, when  $V_{SEL} = 0$  and  $A_0$  is the input, the output is measured at  $1B_1$ . All unused analog input (A) ports are connected to GND, and output (B) ports are connected to GND through  $50\ \Omega$  pull-down resistors.



# NS3L500

## APPLICATION INFORMATION

### Logic Inputs

The logic control inputs can be driven up to +3.6 V regardless of the supply voltage. For example, given a +3.3 V supply, the output enables or select pins may be driven low to 0 V and high to 3.6 V. Driving IN Rail-to-Rail® minimizes power consumption.

### Power-Supply Sequencing

Proper power-supply sequencing is advised for all CMOS devices. It is recommended to always apply  $V_{CC}$  before applying signals to the input/output or control pins.

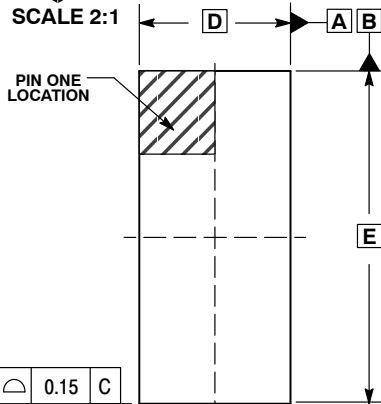
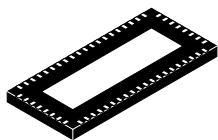
## ORDERING INFORMATION

Device	Package	Shipping†
NS3L500MTTWG	WQFN56 (Pb-free)	2000 / Tape & Reel

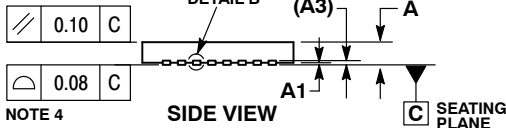
†For information on tape and reel specifications, including part orientation and tape sizes, please refer to our Tape and Reel Packaging Specifications Brochure, BRD8011/D.

WQFN56 5x11, 0.5P  
CASE 510AK  
ISSUE A

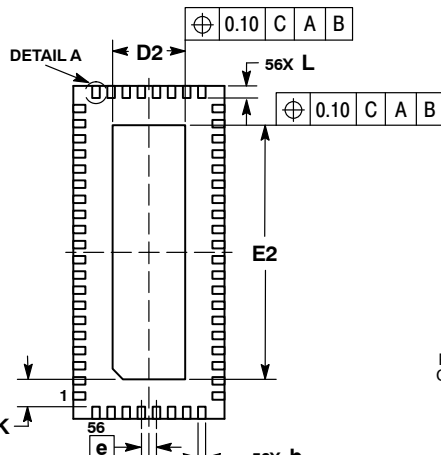
DATE 02 MAR 2010



TOP VIEW



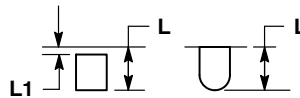
NOTE 4



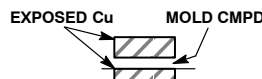
BOTTOM VIEW

$\oplus$	0.10	C	A	B
$\oplus$	0.05	C		

NOTE 3



DETAIL A  
ALTERNATE  
CONSTRUCTIONS



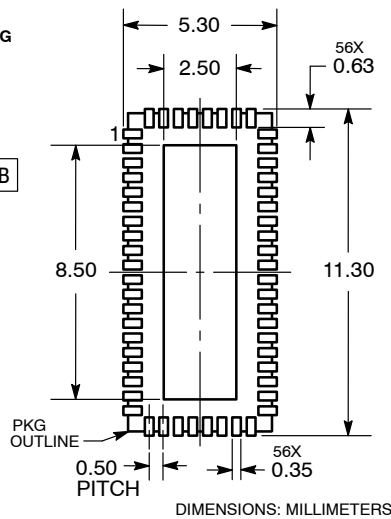
DETAIL B  
ALTERNATE  
CONSTRUCTION

NOTES:

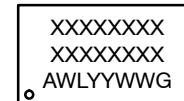
1. DIMENSIONING AND TOLERANCING PER ASME Y14.5M, 1994.
2. CONTROLLING DIMENSIONS: MILLIMETERS.
3. DIMENSION b APPLIES TO PLATED TERMINAL AND IS MEASURED BETWEEN 0.15 AND 0.30mm FROM THE TERMINAL TIP.
4. COPLANARITY APPLIES TO THE EXPOSED PAD AS WELL AS THE TERMINALS.

MILLIMETERS		
DIM	MIN	MAX
A	0.70	0.80
A1	---	0.05
A3	0.20	REF
b	0.20	0.30
D	5.00 BSC	
D2	2.30	2.50
E	11.00 BSC	
E2	8.30	8.50
e	0.50 BSC	
K	0.20 MIN	
L	0.30	0.50
L1	---	0.15

RECOMMENDED  
SOLDERING FOOTPRINT



GENERIC  
MARKING DIAGRAM\*



- XXXXX = Specific Device Code
- A = Assembly Location
- WL = Wafer Lot
- YY = Year
- WW = Work Week
- G = Pb-Free Package

\*This information is generic. Please refer to device data sheet for actual part marking. Pb-Free indicator, "G", may or not be present.

DOCUMENT NUMBER:	98AON45390E	Electronic versions are uncontrolled except when accessed directly from the Document Repository. Printed versions are uncontrolled except when stamped "CONTROLLED COPY" in red.
DESCRIPTION:	WQFN56 5x11, 0.5P	PAGE 1 OF 1

onsemi and onsemi are trademarks of Semiconductor Components Industries, LLC dba onsemi or its subsidiaries in the United States and/or other countries. onsemi reserves the right to make changes without further notice to any products herein. onsemi makes no warranty, representation or guarantee regarding the suitability of its products for any particular purpose, nor does onsemi assume any liability arising out of the application or use of any product or circuit, and specifically disclaims any and all liability, including without limitation special, consequential or incidental damages. onsemi does not convey any license under its patent rights nor the rights of others.

**onsemi**, **Onsemi**, and other names, marks, and brands are registered and/or common law trademarks of Semiconductor Components Industries, LLC dba "**onsemi**" or its affiliates and/or subsidiaries in the United States and/or other countries. **onsemi** owns the rights to a number of patents, trademarks, copyrights, trade secrets, and other intellectual property. A listing of **onsemi**'s product/patent coverage may be accessed at [www.onsemi.com/site/pdf/Patent-Marking.pdf](http://www.onsemi.com/site/pdf/Patent-Marking.pdf). **onsemi** reserves the right to make changes at any time to any products or information herein, without notice. The information herein is provided "as-is" and **onsemi** makes no warranty, representation or guarantee regarding the accuracy of the information, product features, availability, functionality, or suitability of its products for any particular purpose, nor does **onsemi** assume any liability arising out of the application or use of any product or circuit, and specifically disclaims any and all liability, including without limitation special, consequential or incidental damages. Buyer is responsible for its products and applications using **onsemi** products, including compliance with all laws, regulations and safety requirements or standards, regardless of any support or applications information provided by **onsemi**. "Typical" parameters which may be provided in **onsemi** data sheets and/or specifications can and do vary in different applications and actual performance may vary over time. All operating parameters, including "Typicals" must be validated for each customer application by customer's technical experts. **onsemi** does not convey any license under any of its intellectual property rights nor the rights of others. **onsemi** products are not designed, intended, or authorized for use as a critical component in life support systems or any FDA Class 3 medical devices or medical devices with a same or similar classification in a foreign jurisdiction or any devices intended for implantation in the human body. Should Buyer purchase or use **onsemi** products for any such unintended or unauthorized application, Buyer shall indemnify and hold **onsemi** and its officers, employees, subsidiaries, affiliates, and distributors harmless against all claims, costs, damages, and expenses, and reasonable attorney fees arising out of, directly or indirectly, any claim of personal injury or death associated with such unintended or unauthorized use, even if such claim alleges that **onsemi** was negligent regarding the design or manufacture of the part. **onsemi** is an Equal Opportunity/Affirmative Action Employer. This literature is subject to all applicable copyright laws and is not for resale in any manner.

## ADDITIONAL INFORMATION

### TECHNICAL PUBLICATIONS:

Technical Library: [www.onsemi.com/design/resources/technical-documentation](http://www.onsemi.com/design/resources/technical-documentation)  
onsemi Website: [www.onsemi.com](http://www.onsemi.com)

### ONLINE SUPPORT: [www.onsemi.com/support](http://www.onsemi.com/support)

For additional information, please contact your local Sales Representative at [www.onsemi.com/support/sales](http://www.onsemi.com/support/sales)