

# NCS6416

## Low-Voltage, Bus-Controlled Video Matrix Switch

### Description

The main function of the NCS6416 is to switch 8 video input sources to the 6 outputs. The NCS6416 operates with a low 5 V power supply.

Each output can be switched to only one of the inputs, whereas any single input may be connected to several outputs.

All switching possibilities are controlled through the I<sup>2</sup>C bus inputs.

### Features

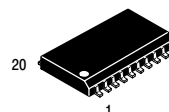
- 20 MHz Bandwidth
- 5 V Operating Voltage
- Cascadable with another NCS6416 (Internal Address can be changed by Pin 7 Voltage)
- 8 Inputs (CVBS, RGB, Chroma, ...)
- 6 Outputs with 150 Ω Output Driving Capability
- Possibility of Chroma Signal for each Input by Switching off the Clamp with an External Resistor Bridge
- Bus Controlled
- 6 dB Gain between any Input and Output
- -65 dB Crosstalk at 5 MHz
- Full ESD Protection
- These are Pb-Free Devices



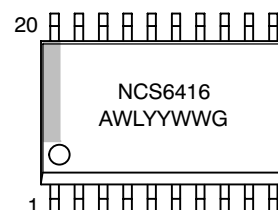
ON Semiconductor®

<http://onsemi.com>

### MARKING DIAGRAMS\*

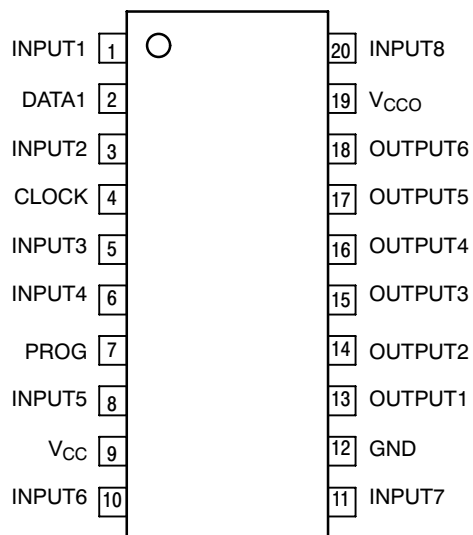


SO-20 WB  
DW SUFFIX  
CASE 751D



A = Assembly Location  
WL = Wafer Lot  
YY = Year  
WW = Work Week  
G = Pb-Free Package

\*For additional marking information, refer to Application Note AND8002/D.

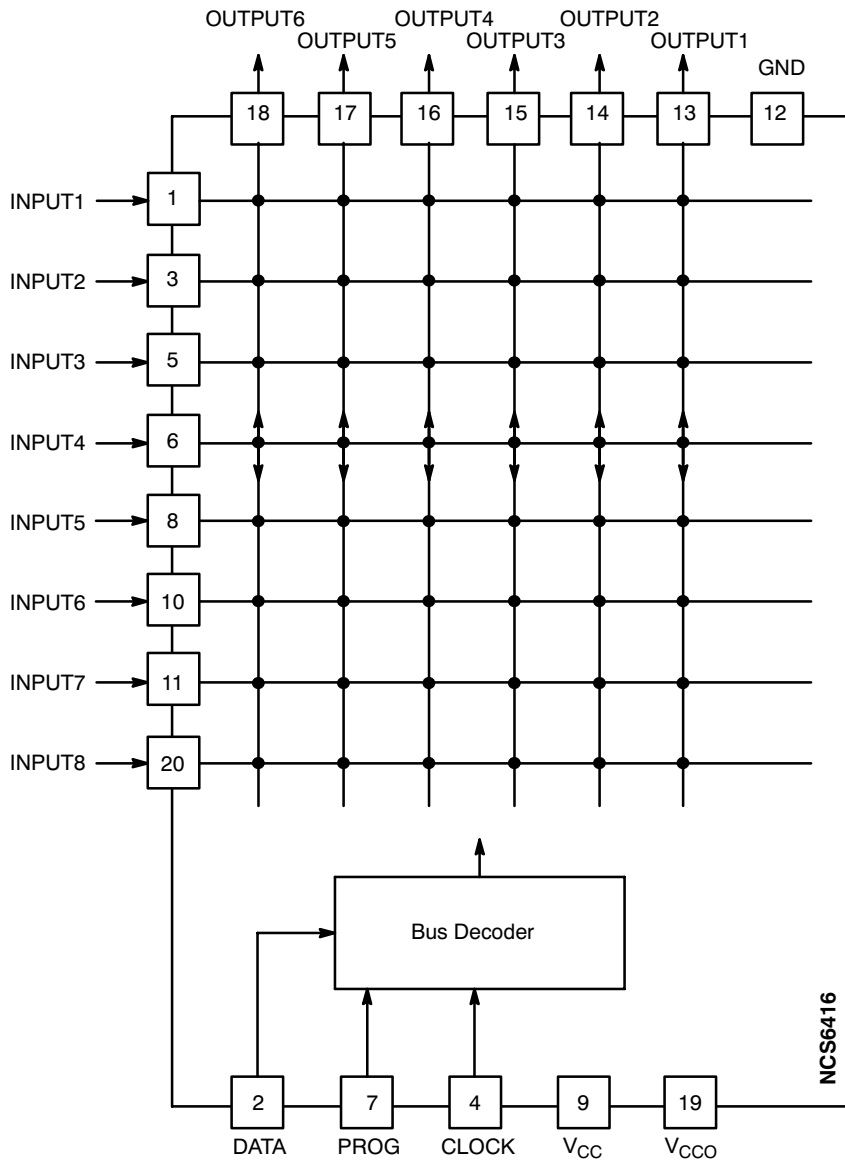


### ORDERING INFORMATION

Device	Package	Shipping <sup>†</sup>
NCS6416DWG	SO-20 (Pb-Free)	38 Units / Rail
NCS6416DWR2G	SO-20 (Pb-Free)	1000 / Tape & Reel

<sup>†</sup>For information on tape and reel specifications, including part orientation and tape sizes, please refer to our Tape and Reel Packaging Specifications Brochure, BRD8011/D.

# NCS6416



**Figure 1. Block Diagram**

The main function of the NCS6416 is to switch 8 video input sources to the 6 outputs.

Each output can be switched to only one of the inputs, whereas any single input may be connected to several outputs. The lowest level of each signal is aligned on each input (bottom of sync pulse for CVBS or Black Level for RGB signals). Each output is able to drive a 150 Ω load.

The nominal gain between any input and output is 6 dB. For Chroma signals, the clamp is switched off by forcing an external 2.5 V DC resistor bridge on the input. Each input

can be used as a normal input or as a Chroma input (with external resistor bridge). All the switching possibilities are changed through the I<sup>2</sup>C bus.

The switches configuration is defined by words of 16 bits: one word of 16 bits for each output channel.

So, 6 words of 16 bits are necessary to determine the starting configuration upon power-on (power supply: 0 to 5 V). But a new configuration needs only the words of the changed output channels.

# NCS6416

**Table 1. ATTRIBUTES**

Characteristics		Value
ESD	Human Body Model	2 kV
	Machine Model	200 V
Moisture Sensitivity (Note 1)		Level 3
Flammability Rating	Oxygen Index: 28 to 34	UL 94 V-0 @ 0.125 in.

1. For additional information, see Application Note AND8003/D

**Table 2. MAXIMUM RATINGS**

Parameter	Symbol	Rating	Unit
Power Supply Voltage	$V_{CC}$	6	V
Output Driver Power Supply	$V_{CCO}$	6	V
Operating Temperature Range	$T_A$	0 to +70	°C
Storage Temperature Range	$T_{stg}$	-60 to +150	°C
Thermal Resistance, Junction-to-Air SO-20	$\theta_{JA}$	30 to 35	°C/W

Stresses exceeding Maximum Ratings may damage the device. Maximum Ratings are stress ratings only. Functional operation above the Recommended Operating Conditions is not implied. Extended exposure to stresses above the Recommended Operating Conditions may affect device reliability.

**Table 3. DC & AC Characteristics** ( $T_A = 25^\circ\text{C}$ ,  $V_{CC} = 5\text{ V}$ ,  $R_L = 150\ \Omega$ ,  $C_L = 3\text{ pF}$ )

Symbol	Parameter	Min	Typ	Max	Unit
$V_{CC}$	Supply Voltage	4.75	5.0	5.25	V
$V_{CCO}$	Output Driver Power Supply	4.75	5.0	5.25	V
$I_{CC}$	Power Supply Current (No Load)	20	30	40	mA

## INPUTS

	Signal Amplitude (CVBS signal) (Note 2)		1.0		$V_{PP}$
	Input Current (Per Output Connected)		1	3	$\mu\text{A}$
	DC Level (Bottom of Sync Pulse)	1.25	1.35	1.45	V
	DC Level Shift (0°C to 70°C) (Note 2)		5	100	mV
$R_{IN}$	Input Resistance (Note 2)		1		$M\Omega$
$C_{IN}$	Input Capacitance (Note 2)		2		pF

## OUTPUTS

	Dynamic Range ( $V_{IN} = 1\ V_{PP}$ ) (Note 2)	1.9	2.0	2.1	$V_{PP}$
	Output Impedance (Note 2)		1		$\Omega$
$A_V$	Gain (Note 2)	5.5	6.0	6.5	dB
BW	Bandwidth (Note 2) -1 dB Attenuation -3 dB Attenuation	7	15 20		MHz
DG	Differential Gain Error (Note 2)		0.5		%
DP	Differential Phase Error (Note 2)		1.5		°
	Crosstalk ( $f = 5\text{ MHz}$ ) (Note 2)		-65	-60	dB
	DC Level (Bottom of Sync Pulse)	0.2	0.3	0.4	V
	Continuous Output Current (Note 2)	20			mA

## I<sup>2</sup>C BUS INPUT: DATA, CLOCK AND PROG

	Threshold Voltage (Note 2)	1.5	2	3	V
--	----------------------------	-----	---	---	---

2. Guaranteed by design and/or characterization.

Table 4. I<sup>2</sup>C BUS CHARACTERISTICS

Symbol	Parameter	Test Conditions	Min	Max	Unit
<b>SCL</b>					
V <sub>IL</sub>	Low Level Input Voltage		-0.3	+1.5	V
V <sub>IH</sub>	High Level Input Voltage		3.0	V <sub>CC</sub> +0.5	V
I <sub>LI</sub>	Input Leakage Current	V <sub>I</sub> = 0 to V <sub>CC</sub>	-10	+10	μA
f <sub>SCL</sub>	Clock Frequency (Note 3)		0	100	kHz
t <sub>R</sub>	Input Risetime (Note 3)	1.5 V to 3 V		1000	ns
t <sub>F</sub>	Input Falltime (Note 3)	3 V to 1.5 V		300	ns
C <sub>I</sub>	Input Capacitance (Note 3)			10	pF
<b>SDA</b>					
V <sub>IL</sub>	Low Level Input Voltage		-0.3	+1.5	V
V <sub>IH</sub>	High Level Input Voltage		3.0	V <sub>CC</sub> +0.5	V
I <sub>LI</sub>	Input Leakage Current	V <sub>I</sub> = 0 to V <sub>CC</sub>	-10	+10	μA
C <sub>I</sub>	Input Capacitance (Note 3)			10	pF
t <sub>R</sub>	Input Risetime (Note 3)	1.5 V to 3 V		1000	ns
t <sub>F</sub>	Input Falltime (Note 3)	3 V to 1.5 V		300	ns
V <sub>OL</sub>	Low Level Output Voltage	I <sub>OL</sub> = 3 mA		0.4	V
t <sub>F</sub>	Output Falltime (Note 3)	3V to 1.5 V		250	ns
C <sub>L</sub>	Load Capacitance (Note 3)			400	pF
<b>TIMING</b>					
t <sub>LOW</sub>	Clock Low Period (Note 4)		4.7		μs
t <sub>HIGH</sub>	Clock High Period (Note 4)		4.0		μs
t <sub>SU,DAT</sub>	Data Setup Time (Note 4)		250		ns
t <sub>HD,DAT</sub>	Data Hold Time (Note 4)		0	340	ns
t <sub>SU,STO</sub>	Setup Time from Clock High to Stop (Note 4)		4.0		μs
t <sub>BUF</sub>	Start Setup Time following a Stop (Note 4)		4.7		μs
t <sub>HD,STA</sub>	Start Hold Time (Note 4)		4.0		μs
t <sub>SU,STA</sub>	Start Setup Time following Clock Low to High Transition (Note 4)		4.7		μs

3. Guaranteed by design and/or characterization.

4. Functionality guaranteed by design and/or characterization.

# NCS6416

## Bus Selections

The I<sup>2</sup>C chip address is defined by the first byte. The second byte defines the input/output configuration.

**Table 5. CHIP ADDRESS BYTE (1<sup>ST</sup> BYTE OF TRANSMISSION)**

HEX	BINARY	Comment
86	1000 0110	When PROG pin is connected to Ground
06	0000 0110	When PROG pin is connected to V <sub>CC</sub>

NOTE: Input/Output Selection Byte (2<sup>nd</sup> byte of transmission)

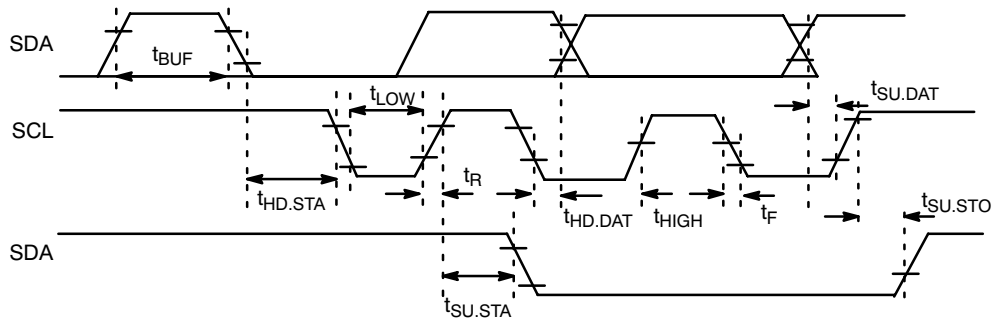
**Table 6. I<sup>2</sup>C BUS OUTPUT SELECTIONS**

Output Address (MSB)	Input Address (LSB)	Selected Output	
00000	XXX	Pin 18	Output is selected by the 5 MSBs
00100	XXX	Pin 14	
00010	XXX	Pin 16	
00110	-	Not Used	
00001	XXX	Pin 17	
00101	XXX	Pin 13	
00011	XXX	Pin 15	
00111	-	Not Used	

**Table 7. I<sup>2</sup>C BUS INPUT SELECTIONS**

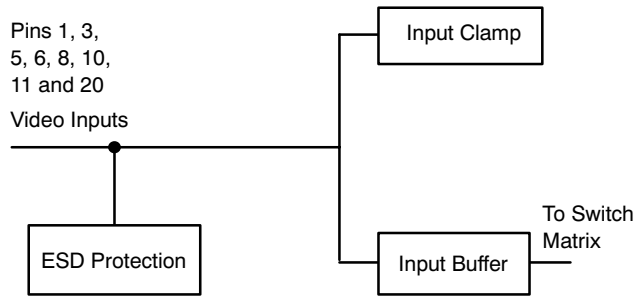
Output Address (MSB)	Input Address (LSB)	Selected Input	
00XXX	000	Pin 5	Input is selected by the 3 LSBs
00XXX	100	Pin 8	
00XXX	010	Pin 3	
00XXX	110	Pin 20	
00XXX	001	Pin 6	
00XXX	101	Pin 10	
00XXX	011	Pin 1	
00XXX	111	Pin 11	

Example: 0010 0101 (Binary) or 25 (Hex) connects Pin 10 (input) to Pin 14 (output)

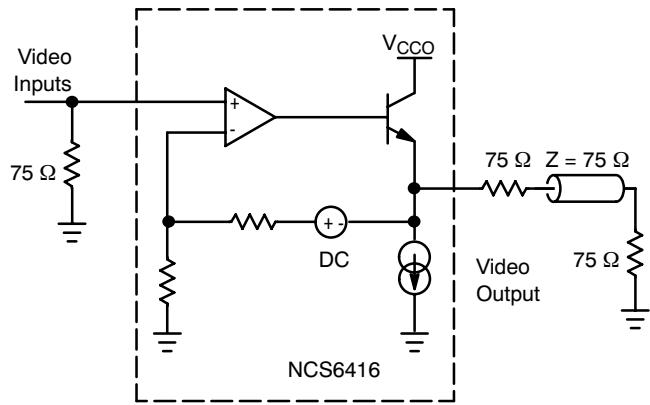


**Figure 2. I<sup>2</sup>C Bus Timing Diagram**

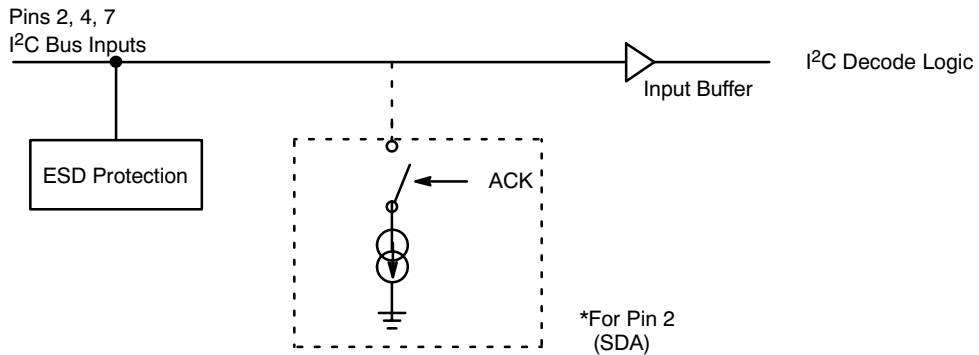
# NCS6416



**Figure 3. Input Configuration**



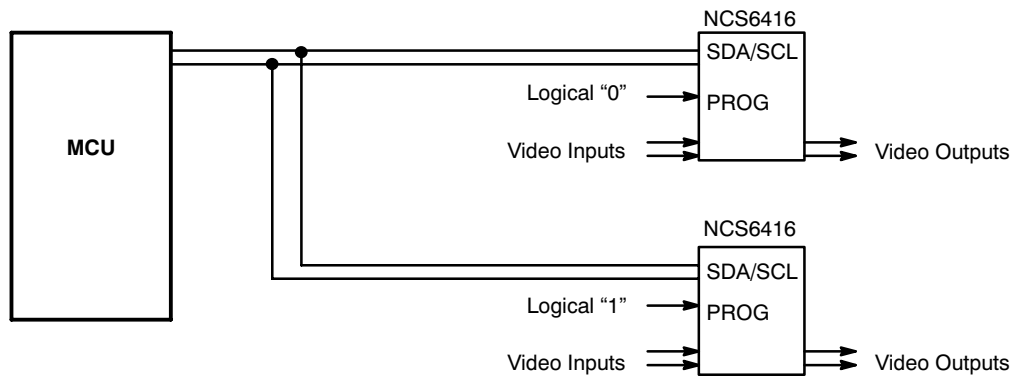
**Figure 4. Output Configuration**



**Figure 5. Bus I/O Configuration**

## USING A SECOND NCS6416

The programming input pin (PROG) allows two NCS6416 circuits to operate in parallel and to select them independently through the I<sup>2</sup>C bus by modifying the address byte. Consequently, the switching capabilities are doubled, or can be cascaded as shown in Figure 6.



**Figure 6. Cascaded NCS6416**

# NCS6416

## TYPICAL APPLICATION DIAGRAM

NCS6416 is suited for single supply system, running on a single +5 V supply. It can drive a 150 Ω video output due to the built-in low impedance and high current video output stage. The high quality of the output stage and excellent

linearity provides video signal comparable to broadcast studio quality signals. The layout is not as critical to the design and it can be easily realized on a single sided board.

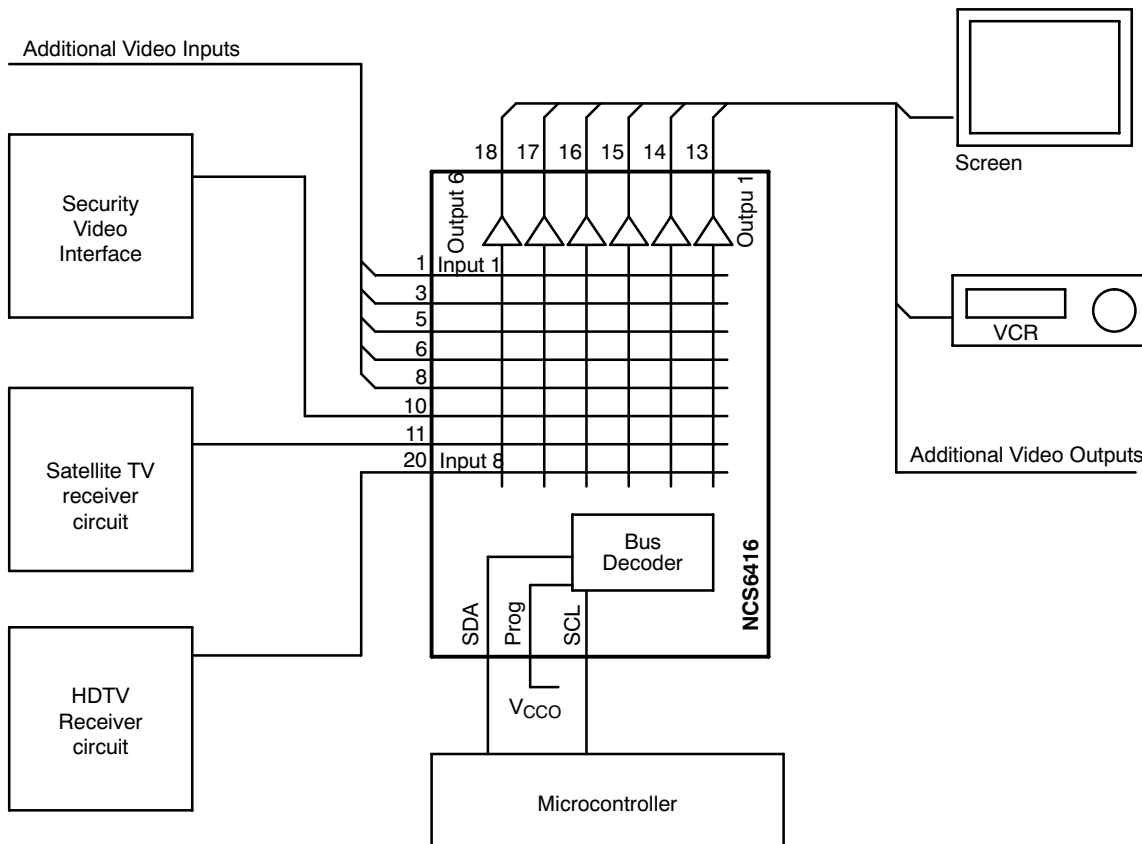


Figure 7. Typical Application Diagram

# NCS6416

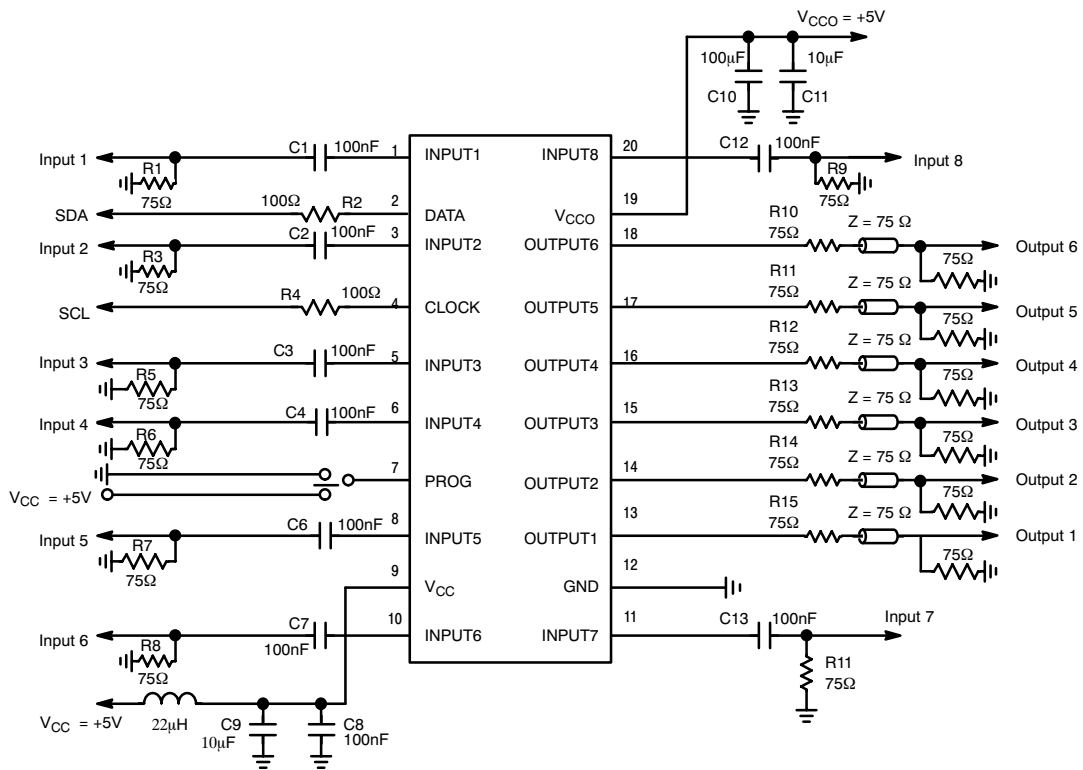
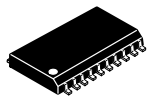


Figure 8. Typical Application Circuit

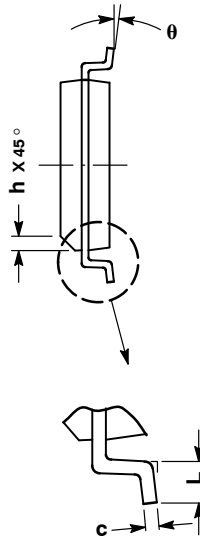
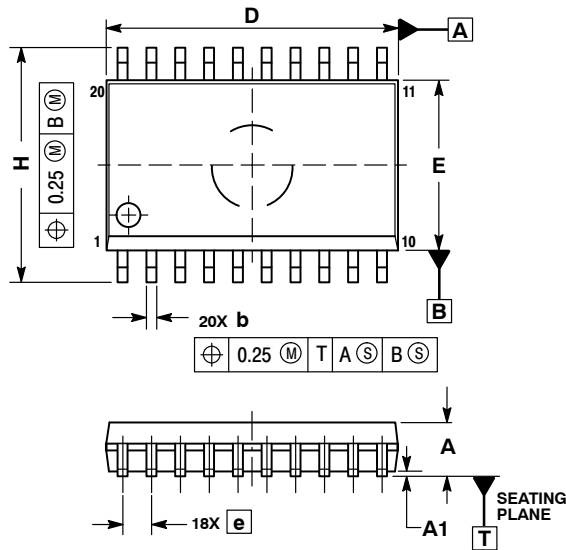




SCALE 1:1

SOIC-20 WB  
CASE 751D-05  
ISSUE H

DATE 22 APR 2015

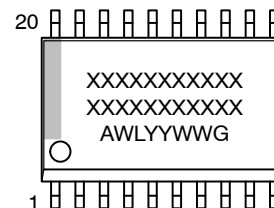


NOTES:

1. DIMENSIONS ARE IN MILLIMETERS.
2. INTERPRET DIMENSIONS AND TOLERANCES PER ASME Y14.5M, 1994.
3. DIMENSIONS D AND E DO NOT INCLUDE MOLD PROTRUSION.
4. MAXIMUM MOLD PROTRUSION 0.15 PER SIDE.
5. DIMENSION B DOES NOT INCLUDE DAMBAR PROTRUSION. ALLOWABLE PROTRUSION SHALL BE 0.13 TOTAL IN EXCESS OF B DIMENSION AT MAXIMUM MATERIAL CONDITION.

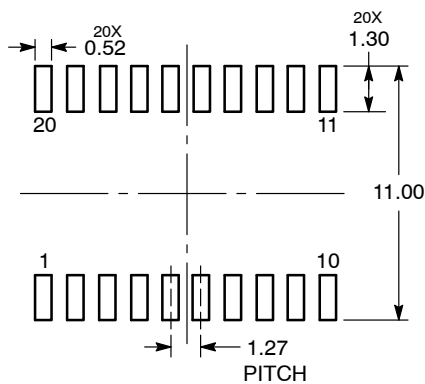
DIM	MILLIMETERS	
	MIN	MAX
A	2.35	2.65
A1	0.10	0.25
b	0.35	0.49
c	0.23	0.32
D	12.65	12.95
E	7.40	7.60
e	1.27 BSC	
H	10.05	10.55
h	0.25	0.75
L	0.50	0.90
θ	0°	7°

GENERIC  
MARKING DIAGRAM\*



- XXXXXX = Specific Device Code
- A = Assembly Location
- WL = Wafer Lot
- YY = Year
- WW = Work Week
- G = Pb-Free Package

RECOMMENDED  
SOLDERING FOOTPRINT\*



DIMENSIONS: MILLIMETERS

\*For additional information on our Pb-Free strategy and soldering details, please download the onsemi Soldering and Mounting Techniques Reference Manual, SOLDERRM/D.

\*This information is generic. Please refer to device data sheet for actual part marking. Pb-Free indicator, "G" or microdot "▪", may or may not be present. Some products may not follow the Generic Marking.

DOCUMENT NUMBER:	98ASB42343B	Electronic versions are uncontrolled except when accessed directly from the Document Repository. Printed versions are uncontrolled except when stamped "CONTROLLED COPY" in red.
DESCRIPTION:	SOIC-20 WB	PAGE 1 OF 1

onsemi and onsemi are trademarks of Semiconductor Components Industries, LLC dba onsemi or its subsidiaries in the United States and/or other countries. onsemi reserves the right to make changes without further notice to any products herein. onsemi makes no warranty, representation or guarantee regarding the suitability of its products for any particular purpose, nor does onsemi assume any liability arising out of the application or use of any product or circuit, and specifically disclaims any and all liability, including without limitation special, consequential or incidental damages. onsemi does not convey any license under its patent rights nor the rights of others.

**onsemi**, **Onsemi**, and other names, marks, and brands are registered and/or common law trademarks of Semiconductor Components Industries, LLC dba "**onsemi**" or its affiliates and/or subsidiaries in the United States and/or other countries. **onsemi** owns the rights to a number of patents, trademarks, copyrights, trade secrets, and other intellectual property. A listing of **onsemi**'s product/patent coverage may be accessed at [www.onsemi.com/site/pdf/Patent-Marking.pdf](http://www.onsemi.com/site/pdf/Patent-Marking.pdf). **onsemi** reserves the right to make changes at any time to any products or information herein, without notice. The information herein is provided "as-is" and **onsemi** makes no warranty, representation or guarantee regarding the accuracy of the information, product features, availability, functionality, or suitability of its products for any particular purpose, nor does **onsemi** assume any liability arising out of the application or use of any product or circuit, and specifically disclaims any and all liability, including without limitation special, consequential or incidental damages. Buyer is responsible for its products and applications using **onsemi** products, including compliance with all laws, regulations and safety requirements or standards, regardless of any support or applications information provided by **onsemi**. "Typical" parameters which may be provided in **onsemi** data sheets and/or specifications can and do vary in different applications and actual performance may vary over time. All operating parameters, including "Typicals" must be validated for each customer application by customer's technical experts. **onsemi** does not convey any license under any of its intellectual property rights nor the rights of others. **onsemi** products are not designed, intended, or authorized for use as a critical component in life support systems or any FDA Class 3 medical devices or medical devices with a same or similar classification in a foreign jurisdiction or any devices intended for implantation in the human body. Should Buyer purchase or use **onsemi** products for any such unintended or unauthorized application, Buyer shall indemnify and hold **onsemi** and its officers, employees, subsidiaries, affiliates, and distributors harmless against all claims, costs, damages, and expenses, and reasonable attorney fees arising out of, directly or indirectly, any claim of personal injury or death associated with such unintended or unauthorized use, even if such claim alleges that **onsemi** was negligent regarding the design or manufacture of the part. **onsemi** is an Equal Opportunity/Affirmative Action Employer. This literature is subject to all applicable copyright laws and is not for resale in any manner.

---

## ADDITIONAL INFORMATION

### TECHNICAL PUBLICATIONS:

Technical Library: [www.onsemi.com/design/resources/technical-documentation](http://www.onsemi.com/design/resources/technical-documentation)  
onsemi Website: [www.onsemi.com](http://www.onsemi.com)

### ONLINE SUPPORT: [www.onsemi.com/support](http://www.onsemi.com/support)

For additional information, please contact your local Sales Representative at [www.onsemi.com/support/sales](http://www.onsemi.com/support/sales)