

OMAP-L138 SOM-M1

System on Module

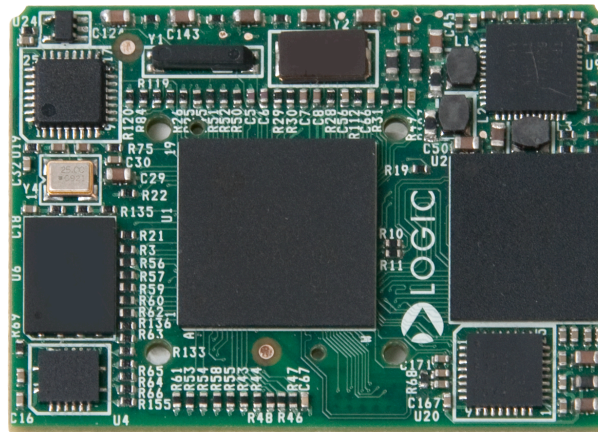
Essential features for handheld and embedded networking applications and DSP functionality

The OMAP-L138 System on Module (SOM) is a compact, product-ready hardware and software solution that fast forwards embedded designs while reducing risk and controlling cost.

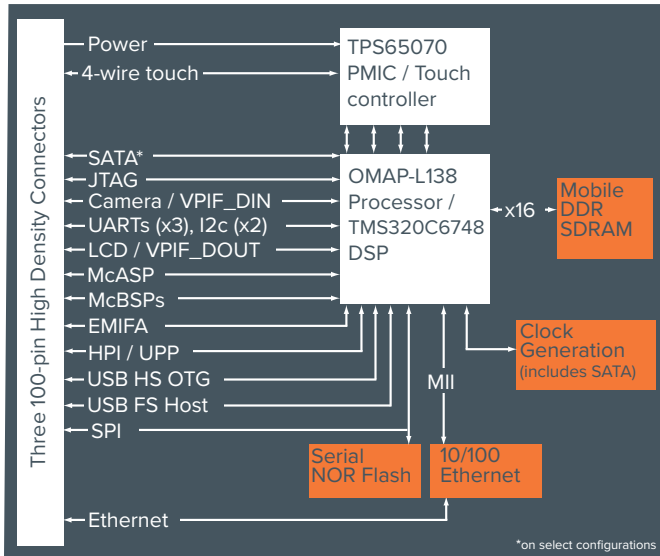
Based on Texas Instruments' OMAP-L138 processor and designed in the SOM-M1 form factor, the OMAP-L138 module offers essential features for handheld and embedded networking applications. The OMAP-L138 SOM-M1 features the superset OMAP-L138 processor, but also supports the TMS320C6748 digital signal processor (DSP).

The OMAP-L138 SOM-M1 brings the industry leading low power ARM926 core to a small, off-the-shelf solution. The standard SOM-M1 form factor allows developers to reuse existing baseboard designs when upgrading to new OMAP processors, which extends roadmap possibilities for their end-product.

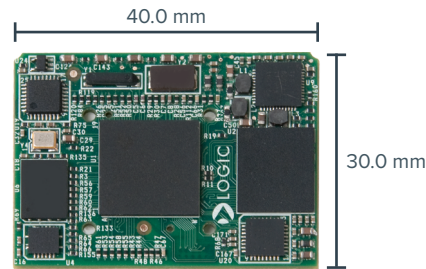
For medical, industrial, audio, and communication products, the OMAP-L138 SOM-M1 allows for powerful versatility, long-life, and greener products.



OMAP-L138/C6748 SOM-M1 Block Diagram



(Block diagram is not drawn to scale; for reference purposes only.)



TOP VIEW :: ACTUAL SIZE

OMAP-L138/C6748 SOM-M1 Ordering Information

Model Number	Processor	Speed (MHz)	mDDR (MB)	NOR Flash (MB)	10/100 Ethernet	SATA	Temp (°C)
SOMOMAPL138-10-1603AHCR	OMAPL138	375	128	16	Y	Y	0°–70°
SOMOMAPL138-10-1503QHCR	OMAPL138	375	64	16	Y	N	0°–70°
SOMOMAPL138-10-1603QHIR	OMAPL138	375	128	16	Y	N	-40°–85°
SOMC6748-10-1603AHCR	TMS320C6748	375	128	16	Y	Y	0°–70°

NOTE: Custom configurations are available by special order. Please contact Logic PD Sales for details.

Product Features

Choice of Processor

- +TI OMAP-L138 processor with dual core ARM926EJ-S and C6748 VLIW DSP running at 375 MHz
- +TI TMS320C6748 VLIW DSP running at 375 MHz

SDRAM Memory

- + Mobile DDR, 64 or 128 MB

Flash Memory

- + Scalable serial NOR flash (16 MB standard)

Display

- + Programmable color LCD controller supports up to a 16 bpp TFT interface

Touchscreen

- + Integrated 4-wire touchscreen controller (TPS65070)

Network Support

- + 10/100 Base-T Ethernet controller

Serial ATA Controller

- + SATA 1.5 & 3.0 Gbps support

PC Card Expansion

- + MMC/SD card support

USB

- + One USB 2.0 high-speed On-the-Go interface
- + One USB 1.1 full-speed host interface

Serial Ports

- + Three external UARTs
- + Two I2Cs

GPIO

- + Programmable I/O depending on peripheral requirements

Software

- + U-Boot (bootloader/monitor)
- + Linux™ DVSDK
- + Windows® Embedded CE SDK
- + DSP/BIOS
- + Board Support Library (BSL) sample programs

Mechanical

- + SOM-M1 form factor
- + 30.0 mm wide x 40.0 mm long x 4.1 mm high

RoHS Compliant



6201 Bury Dr. | Eden Prairie, MN 55346

T : 952.941.8071 F : 952.941.8065 | www.logicpd.com

© 2017 Logic PD, Inc. All rights reserved. PN: 1013566 Rev H

LOGIC PD WEBSITE :: DESIGN RESOURCES:

- + Logic PD Products : www.logicpd.com/products
- + Logic PD Technical Support : support@logicpd.com
- + Logic PD Sales : www.logicpd.com/contact/