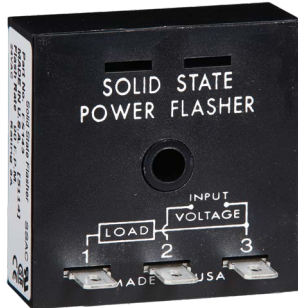


FS100 SERIES

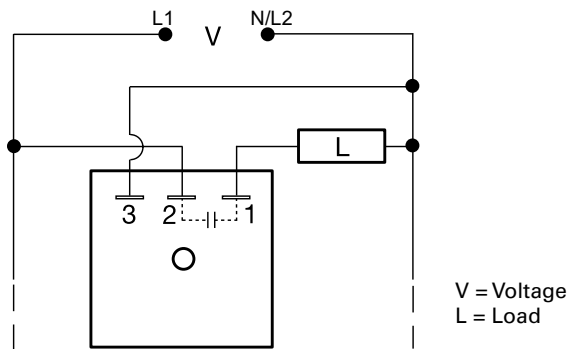
Medium Power Flasher



OBSOLETE



Wiring Diagram



Description

The FS100 Series (medium power) may be used to control inductive, incandescent, or resistive loads. Input voltages of 24, 120, or 230VAC are available. Fixed flash rates in stock range from 30, 50, 60, and 90 FPM, with custom flash rates ranging from 10 to 300 FPM. Encapsulation provides protection against shock, vibration, and humidity. This group of solid-state flashers has proven reliability with years of use throughout the world.

Operation

Upon application of input voltage, the T2 OFF time begins. At the end of the OFF time, the T1 ON time begins and the load energizes. At the end of T1, T2 begins and the load de-energizes. This cycle repeats until input voltage is removed.

Reset: Removing input voltage resets the output and the sequence to T2.

Features & Benefits

FEATURES	BENEFITS
3A steady, 30A inrush current	Provides direct control of inductive, incandescent, or resistive loads
Totally solid state and encapsulated	No moving parts to arc and wear out over time and encapsulated to protect against shock, vibration, and humidity

Accessories



P1023-6 Mounting bracket

The 90° orientation of mounting slots makes installation/removal of modules quick and easy.



P1015-64 (AWG 14/16) Female Quick Connect

These 0.25 in. (6.35 mm) female terminals are constructed with an insulator barrel to provide strain relief.



P1015-18 Quick Connect to Screw Adapter

Screw adapter terminal designed for use with all modules with 0.25 in. (6.35 mm) male quick connect terminals.



C103PM (AL) DIN Rail

35 mm aluminum DIN rail available in a 36 in. (91.4 cm) length.



P1023-20 DIN Rail Adapter

Allows module to be mounted on a 35 mm DIN type rail with two #10 screws.

Ordering Information

MODEL	INPUT	FLASH RATE
FS143	24VAC	90 FPM
FS152	120VAC	90 FPM
FS152-30	120VAC	30 FPM
FS152-60	120VAC	60 FPM
FS162	230VAC	90 FPM
FS162-30	230VAC	30 FPM

If you don't find the part you need, call us for a custom product 800-843-8848

FS100 SERIES

Specifications

Technical Data

Operation	OFF/ON solid-state flasher (continuous duty)
Flash Rate	Fixed at 90 FPM $\pm 10\%$
Custom Flash Rates	10 - 300 FPM $\pm 10\%$
ON/OFF Ratio	$\approx 50\%$
Input	
Voltage/Frequency	24, 120, or 230VAC $\pm 15\%$ / 50/60 Hz
Output	
Load Type	Inductive, resistive, or incandescent
Output	Fullwave AC, solid state, SPST
Maximum Load Rating	3A steady state
Inrush	10 times steady state current
Mechanical	
Mounting	Surface mount with one #10 (M5 x 0.8) screw
Dimensions	H 50.8 mm (2"); W 50.8 mm (2"); D 30.7 mm (1.21")
Termination	0.25 in. (6.35 mm) male quick connect terminals
Protection	
Circuitry	Encapsulated
Environmental	
Operating/Storage Temperature	-20° to 60°C / -40° to 85°C
Weight	≈ 2.2 oz (62 g)

Flasher Function Diagram

