

# Protection Relays & Controls

## EL731 SERIES

Earth-Leakage Protection–Grounded AC or DC Systems •  
AC/DC Sensitive Earth-Leakage Relay



### Description

The EL731 is a microprocessor-based AC/DC Sensitive Earth-Leakage Relay that offers complete coverage for all frequencies from 0 to 6,000 Hz. Two CTs are required for the entire frequency range, or one CT can be used for only low- or high-frequency detection. An RTD/PTC sensor input allows over-temperature and under-temperature protection for a motor or drive. The EL731 offers metering, password-protected alarm and trip settings and optional network communications. It is primarily used to add low-level ground-fault protection to variable-speed drives, and to dc circuits.

### Features & Benefits

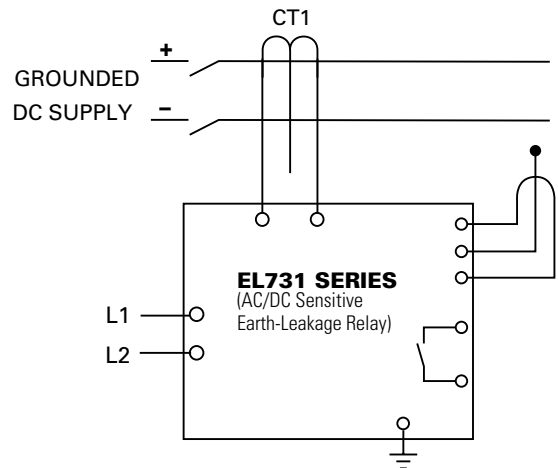
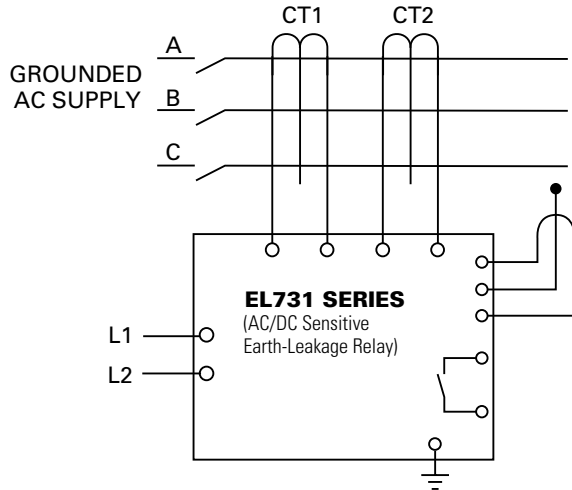
FEATURES	BENEFITS
<b>Adjustable pickup (30-5,000 mA)</b>	Adjustable trip setting provides a wide range of low-level protection and system coordination
<b>Frequency range (0-90 Hz, 20-6,000 Hz)</b>	Operate in either AC or DC mode or both. Use single or combined ranges. Separate metering
<b>32-char OLED display</b>	Earth-leakage metering, setup and programming
<b>Local LED indication</b>	Visual Trip, Alarm, CT connection indication
<b>CT-Loop monitoring</b>	Proactively monitors for open- or short-circuit CT wiring
<b>Analog output (4-20 mA)</b>	Connect to DCS. Allows connection to an optional meter (PGA-0520) or control system
<b>Adjustable time delay</b>	Adjustable trip delay for quick protection and system coordination
<b>Alarm and trip settings</b>	Detect a deteriorating condition before damage occurs
<b>Temperature-sensor input</b>	Monitor motor or drive temperature and respond to high- or low-temperature conditions
<b>Output contacts</b>	Three programmable outputs for tripping or alarming on leakage current, high, or low temperature
<b>Network communication</b>	Optional connection to plant network
<b>Harmonic filtering</b>	Eliminates nuisance tripping due to harmonic noise
<b>Panel, Surface, and DIN-rail mounting</b>	Compact enclosure and flexible mounting options allow for many installation options even in panels with limited space
<b>Universal power supply</b>	Provides flexibility for numerous applications

# Protection Relays & Controls

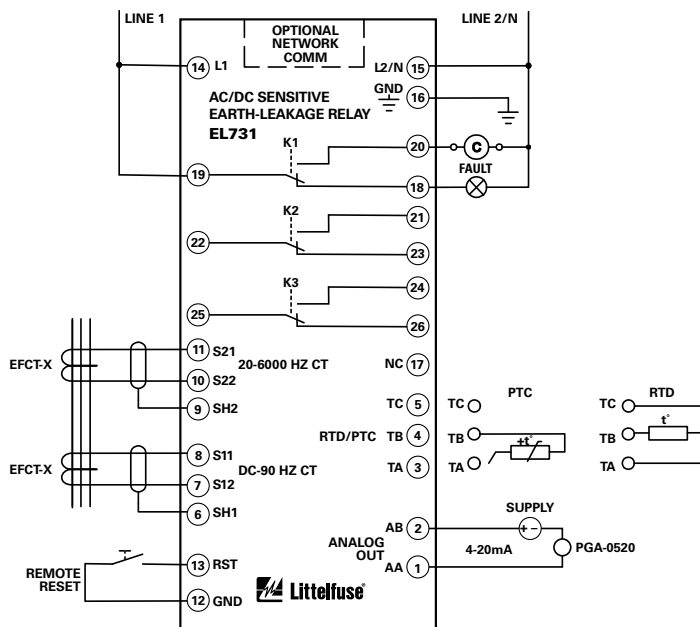
## EL731 SERIES

Earth-Leakage Protection–Grounded AC or DC Systems •  
AC/DC Sensitive Earth-Leakage Relay

### Simplified Circuit Diagram



### Wiring Diagram



### Specifications

#### IEEE Device Numbers

AC ground fault (50G/N, 51G/N),  
DC ground fault (79G),  
PTC overtemperature (49),  
RTD temperature (38, 49)  
120/240 Vac/Vdc, 24 Vdc,  
48 Vdc/24 Vac

#### Supply Voltage

**Trip Level Settings**  
**Alarm Level Settings**  
**Trip Delay**  
**Output Contacts**  
**Contact Operating Mode**  
**Reset**  
**Freq. Response, CT1**  
**Freq. Response, CT2**

30-5,000 mA AC and DC  
30-5,000 mA AC and DC  
0.05-2 s  
3 Form C (programmable)  
Fail-safe & non-fail-safe  
Front panel and remote  
0-90 Hz  
20-6,000, 190-6,000, 20-90,  
20-3,000 Hz; selectable

#### Current Transformer CT Detection Terminals

#### Communications

#### Analog Output

#### Conformal Coating Dimensions

#### Approvals

#### Warranty Mounting

EFCT-x series  
Open & short detection  
Plug-in, wire clamping,  
24 to 12 AWG (0.2-2.5 mm<sup>2</sup>)  
EtherNet/IP™, DeviceNet™,  
Profibus®, Modbus® TCP (optional)  
4-20 mA (selectable 0-5 A or  
0-100% trip-level setting)  
Standard feature  
**H** 48 mm (1.9");  
**W** 96 mm (3.8");  
**D** 129 mm (5.0")  
UL Listed (E340889), CSA,  
RCM (Australia), CE  
5 years  
Panel; Surface and DIN (with optional  
AC700-SMK)

# Protection Relays & Controls

## EL731 SERIES

Earth-Leakage Protection–Grounded AC or DC Systems •  
AC/DC Sensitive Earth-Leakage Relay

### Accessories



#### EFCT Series Earth-Fault Current Transformer

Required zero-sequence current transformer specifically designed for low level detection.



#### AC700-CUA Series Communication Adapter

Optional network-interface and firmware-upgrade communications adapters field-install in EL731.



#### AC700-SMK DIN-rail & Surface-mount Adapter

EL731 plugs into adapter for back-plane mounting.

ACCESSORIES	REQUIREMENT
EFCT Series CT	One Required
AC700-CUA Series Com. Unit	Optional
AC700-SMK Surface-Mount Kit	Optional
AC700-CVR-00 Watertight Cover (IP66) for Panel-Mount Applications	Optional
PGA-0520 Analog Meter	Optional

### Ordering Information

ORDERING NUMBER	CONTROL POWER	COMMUNICATIONS
EL731-00-X0	120/240 Vac/Vdc	None
EL731-01-X0	120/240 Vac/Vdc	DeviceNet™
EL731-02-X0	120/240 Vac/Vdc	Profibus®
EL731-03-X0	120/240 Vac/Vdc	EtherNet/IP™
EL731-04-X0	120/240 Vac/Vdc	Modbus® TCP
EL731-10-X0	48 Vdc & 24 Vac	None
EL731-11-X0	48 Vdc & 24 Vac	DeviceNet™
EL731-12-X0	48 Vdc & 24 Vac	Profibus®
EL731-13-X0	48 Vdc & 24 Vac	EtherNet/IP™
EL731-14-X0	48 Vdc & 24 Vac	Modbus® TCP
EL731-20-X0	24 Vdc	None
EL731-21-X0	24 Vdc	DeviceNet™
EL731-22-X0	24 Vdc	Profibus®
EL731-23-X0	24 Vdc	EtherNet/IP™
EL731-24-X0	24 Vdc	Modbus® TCP

Note: When building a part number, replace the "X" with "1" for AS/NZS 2081:2011 Compliant product, "0" otherwise.

**Disclaimer Notice** – Information furnished is believed to be accurate and reliable. However, users should independently evaluate the suitability of and test each product selected for their own applications. Littelfuse products are not designed for, and may not be used in, all applications. Read complete Disclaimer Notice at [www.littelfuse.com/product-disclaimer](http://www.littelfuse.com/product-disclaimer).