

FEATURES

- ▶ Space saving design only 0.67"(17mm) deep
- ▶ Occupies less than 2.5 x 1.1 inches of front panel space
- ▶ High contrast LCD
- ▶ 3½ digits with 0.39" LCD
- ▶ Snap-In bezel eliminates the need for mounting hardware
- ▶ Low power requirement (3mA) is ideal for battery powered applications
- ▶ User-selectable decimal points

SPECIFICATIONS

DISPLAY

Digits: 3 ½ digits (±1999 counts)
 Type: 0.39" (10mm) high contrast reflective LCD
 automatic, "-" displayed.
 Polarity: 3 position, user-selectable
 Decimal Points: three lower order digits blank for
 inputs >1999 & < -1999
 Overrange: display hold function is standard

Hold:

INPUTS

Ranges: ±200.0 mV, ±2.000 V, ±20.00 VDC
 Configuration: bipolar, differential
 Protection: ±350 VDC, (±100 VDC on 200 mV range)
 Impedance: >1 MΩ, (>10 MΩ on 200 mV range)

PERFORMANCE

Accuracy: ±(0.1% + 1 counts) typical
 ±(0.2% + 2 counts) maximum
 Conversion Rate: 3 per second
 Normal Mode Rejection: >30 dB @ 60 Hz
 Common Mode Range: ±1 VDC
 Common Mode Rej.: >86 dB
 Zero Adjustment: automatic
 Warmup: 10 minutes typical
 Temperature Coeff.: ±100 ppm per °C typical

ENVIRONMENT

Operating Range: 0 to 50 °C
 Storage Range: -10 to 70 °C

POWER SUPPLY

Voltage: +5 VDC (±5%)
 Current: 3 mA

MOUNTING

snap-in bezel mount

CONNECTION

10 pins, 0.025" square on 0.1" centers

ORDERING INFO

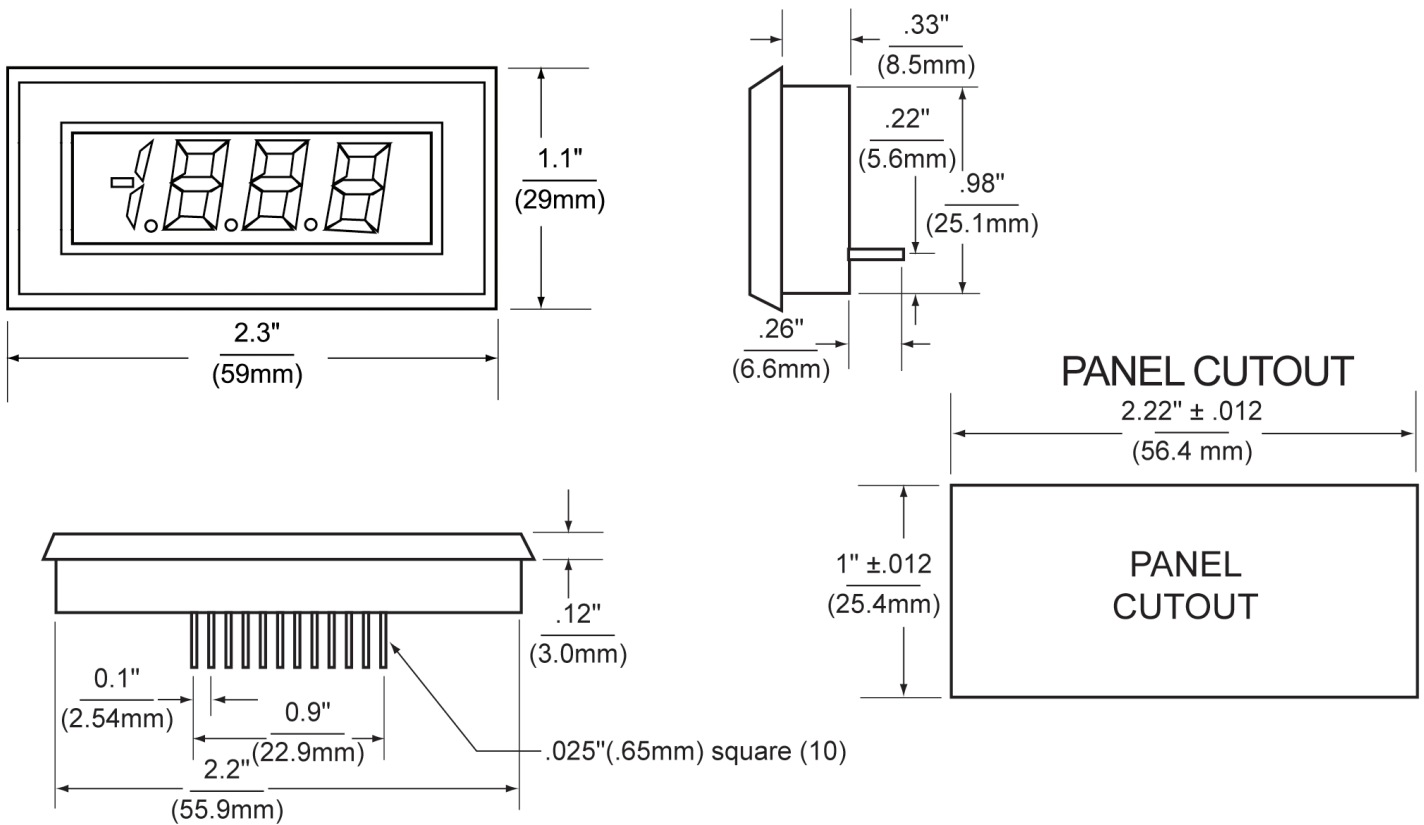
PART NUMBER	METER INPUT
DK110	200mV
DK111	2V
DK112	20V

ACCESSORIES

C10-5	5" - 10 Pin Connector / Wire Assembly
J1C10	12" - 10 Pin Connector / Wire Assembly
PW2-5	Regulated 120V AC to 5V DC Power Supply
CVC	Calibrator



DIMENSIONS



WIRING

PIN	DESCRIPTION
+5V	+5V DPM POWER SUPPLY
GND	DPM POWER SUPPLY GROUND
DP.C	DECIMAL POINT RETURN
DP.1	1XX.X
DP.2	1X.XX
DP.3	1.XXXX
IN (+)	POSITIVE INPUT SIGNAL
IN (-)	NEGATIVE INPUT SIGNAL
NC	NO CONNECTION REQUIRED
HOLD	HOLD LAST DISPLAY