

# Voltage Monitoring Relays

## 460 Series

### 3-Phase Voltage Monitor



## Description

The 460 series is a three-phase voltage monitor that protects 190–480 V ac or 475–600 V ac, 50/60 Hz motors regardless of their size. This voltage monitor provides a user-selectable nominal voltage setpoint and will automatically sense line voltage. A unique microcontroller-based voltage and phase-sensing circuit constantly monitors the three-phase voltage to detect harmful power line conditions such as low, high, and unbalanced voltage, loss of any phase, and phase reversal. When a harmful condition is detected, the MotorSaver® output relay is deactivated after a specified trip delay. The output relay reactivates after power line conditions return to an acceptable level for a specified amount of time (restart delay). The trip and restart delays prevent nuisance tripping due to rapidly fluctuating power line conditions. All 460 models feature an adjustable 1–30 second trip delay, 1–500 second restart delay, 2–8% voltage unbalance trip point, and one form C contact except where noted on the datasheet.

## Features & Benefits

FEATURES	BENEFITS
<b>Auto-sensing wide voltage range</b>	Automatically senses system voltage between 190–480 V ac or 475–600 V ac. Saves set-up time
<b>Adjustable trip &amp; restart delay settings</b>	Prevents nuisance tripping due to rapidly fluctuating power line conditions
<b>Microcontroller-based circuitry</b>	Improved accuracy and high reliability
<b>Advanced LED diagnostics</b>	Quick visual indicator for cause of trip and relay status
<b>Adjustable voltage unbalance trip setting</b>	Provides reliable protection when regenerative voltage is present

## Applications

- Oil rigs
- Compressors and fans
- HVAC
- Heat, well, and sump pumps
- Small conveyer motors

# Voltage Monitoring Relays

## 460 Series

### Specifications

<b>Frequency</b>	50/60 Hz
<b>Functional Characteristics</b>	
<b>Low Voltage (% of setpoint)</b>	
<b>Trip</b>	90% ±1%
<b>Reset</b>	93% ±1%
<b>High Voltage (% of setpoint)</b>	
<b>Trip</b>	110% ±1%
<b>Reset</b>	107% ±1%
<b>Voltage Unbalance (NEMA)</b>	
<b>Trip</b>	2–8% adjustable
<b>Reset</b>	Trip setting minus 1% (5–8%), Trip setting minus 0.5% (2–4%)
<b>460L</b>	6% UB fixed (4.5% reset)
<b>Trip Delay Time</b>	
<b>Low, High and Unbalanced Voltage</b>	1–30 seconds adjustable
<b>460L</b>	4 seconds fixed
<b>Single-Phase Faults (&gt;15% UB)</b>	1 second fixed
<b>Restart Delay Time</b>	
<b>After a Fault</b>	1–500 seconds adjustable
<b>After a Complete Power Loss</b>	1–500 seconds adjustable
<b>Output Contact Rating</b>	
<b>Form C</b>	
<b>Pilot Duty</b>	480 VA @ 240 V ac, B300
<b>General Purpose</b>	10 A @ 240 V ac
<b>Form A &amp; Form B</b>	
<b>Pilot Duty</b>	360 VA @ 240 V ac, B300
<b>General Purpose</b>	8 A @ 240 V ac
<b>General Characteristics</b>	
<b>Ambient Temperature Range</b>	
<b>Operating</b>	-20° to 70 °C (-4° to 158 °F)
<b>Storage</b>	-40° to 80 °C (-40° to 176 °F)
<b>Maximum Input Power</b>	6 W
<b>Class of Protection</b>	IP20, NEMA 1 (finger safe)
<b>Relative Humidity</b>	10–95%, non-condensing per IEC 68-2-3
<b>Terminal Torque</b>	4.5 in.-lbs.
<b>Wire Type</b>	Stranded or solid 12–20 AWG, one per terminal
<b>Standards Passed</b>	
<b>Electrostatic Discharge (ESD)</b>	IEC 61000-4-2, Level 3, 6 kV contact, 8 kV air
<b>RFI, Radiated</b>	150 MHz, 10 V/m
<b>Fast Transient Burst</b>	IEC 61000-4-4, Level 3, 3.5 kV input power and controls
<b>Surge</b>	
<b>IEC</b>	IEC 61000-4-5, Level 3, 4 kV line-to-line; Level 4, 4 kV line-to-ground
<b>ANSI/IEEE</b>	C62.41 Surge and Ring Wave Compliance to a level of 6 kV line-to-line
<b>Hi-potential Test</b>	Meets UL508 (2 x rated V +1000 V for 1 minute)
<b>Enclosure</b>	Polycarbonate
<b>Dimensions</b>	<b>H</b> 88.9 mm (3.5"); <b>W</b> 52.9 mm (2.08"); <b>D</b> 59.69 mm (2.35")
<b>Weight</b>	0.7 lb. (11.2 oz., 317.51 g)
<b>Mounting Method</b>	35 mm DIN-rail or surface mount (#6 or #8 screws)
<b>460-MR (manual reset)</b>	External NO pushbutton required.

### Certification & Compliance

<b>UL</b>	UL508 (File #E68520)
<b>CE</b>	IEC 60947-6-2

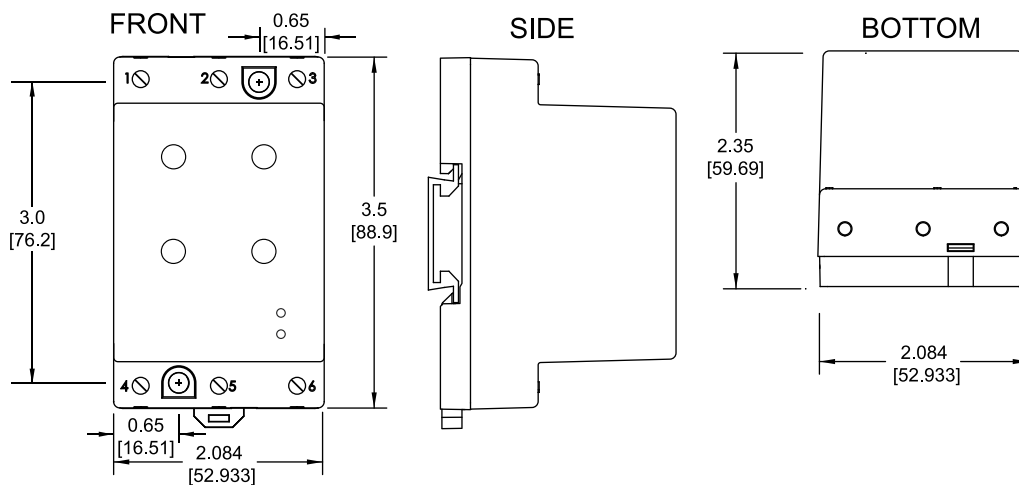
# Voltage Monitoring Relays

## 460 Series

### Ordering Information

MODEL	LINE VOLTAGE	DESCRIPTION
460	190–480 V ac	Automatically senses line voltage, adjustable 1–30 second trip delay, 1–500 second restart delay, and 2–8% voltage unbalance trip point
460-L	190–480 V ac	Fixed 4 second trip delay and 1 second for single-phase faults, and fixed 6% voltage unbalance trip point
460-14	190–480 V ac	Equipped with 2 sets of contacts: Form A (NO) and Form B (NC). Used for applications requiring 2 different voltages such as 5 V dc for a PLC input and 115 V ac for an alarm
460-575	475–600 V ac	Commonly used in Eastern Canada and on generator units that generate 600 V ac power
460-575-14	475–600 V ac	Commonly used in Eastern Canada and on generator units that generate 600 V ac power. Equipped with 2 sets of contacts: Form A and Form B
460-15	190–480 V ac	Equipped with 2 sets of Form A (NO) contacts. Used on applications where two different units are to be controlled at once such as a unit that has separate contacts for a compressor and a fan
460-MR	190–480 V ac	Equipped with a 2-prong connection for a normally open push button mounted outside the panel. Used in applications requiring an external manual reset button
460-VBM	190–480 V ac	Fixed 6% voltage unbalance trip point. User adjustable low and high voltage trip points
460-400HZ	190–480 V ac	For use with 400 Hz power supply
460-OEM	190–480 V ac	Bulk package of 460, 20 units
460L-OEM	190–480 V ac	Bulk package of 460-L, 20 units

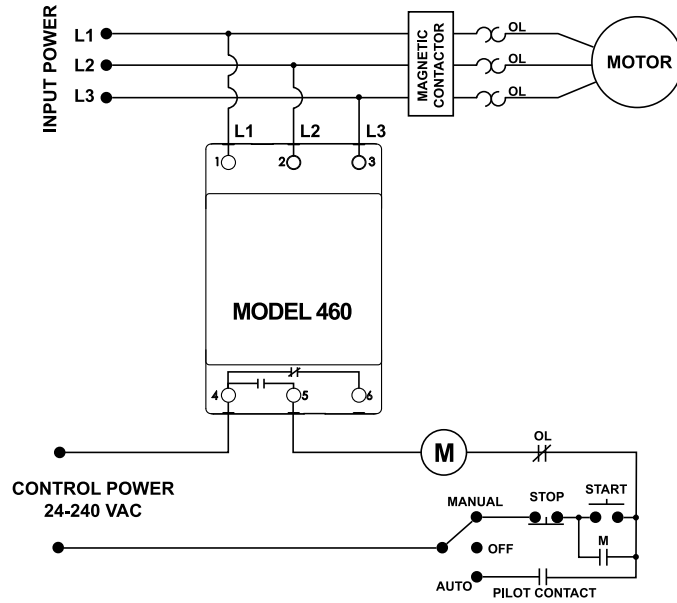
### Dimensions Inches (mm)



# Voltage Monitoring Relays

## 460 Series

### Wiring Diagram



**Disclaimer Notice** – Information furnished is believed to be accurate and reliable. However, users should independently evaluate the suitability of and test each product selected for their own applications. Littelfuse products are not designed for, and may not be used in, all applications. Read complete Disclaimer Notice at [www.littelfuse.com/product-disclaimer](http://www.littelfuse.com/product-disclaimer).