

Accessories

SE-CS30 SERIES CURRENT TRANSFORMER



Current Sensor



Description

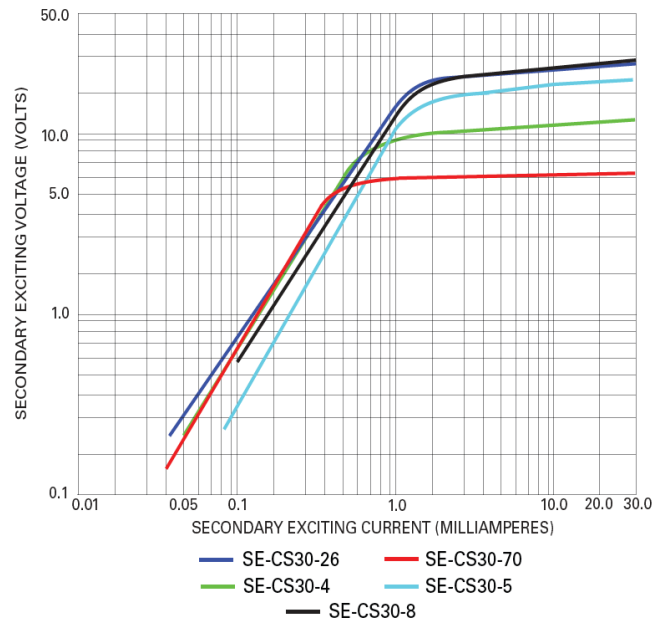
The SE-CS30 series is a sensitive nickel-core current transformer used with Littelfuse relays to detect low levels of earth-leakage current.

Specifications

Turns Ratio	600:1
Current Rating	30:0.05 A
Accuracy	3% @ 0.06 VA
Frequency	50-400 Hz
Insulation Level	600 V
Operating Temperature	-55 to 60°C (-67 to 140°F)
Application	FPU-32, FPS, MPU-32, MPS, PGR-6100, PGR-6101, SE-330, SE-701, SE-704
Certification	CSA, UL, CE
Compliance	RoHS, IEC 60044-1

Ordering Information

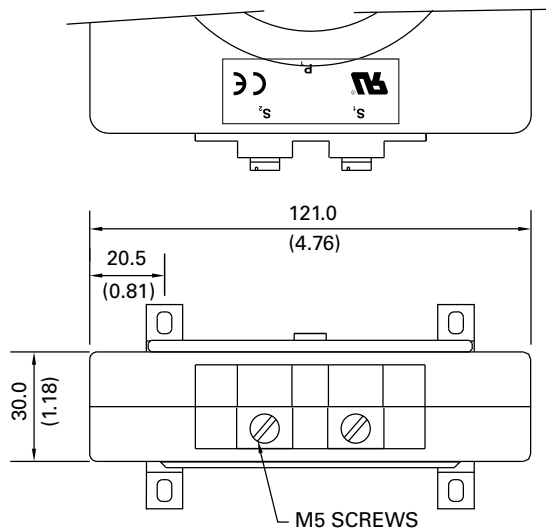
ORDERING NUMBER	WINDOW SIZE, ID	WEIGHT
SE-CS30-26	26 mm (1.0")	0.5 kg (1.0 lb)
SE-CS30-70	70 mm (2.8")	1.2 kg (2.5 lb)
SE-CS30-4	95 mm (3.7")	1.3 kg (3.0 lb)
SE-CS30-5	140 mm (5.5")	2.1 kg (4.6 lb)
SE-CS30-8	200 mm (7.9")	4.3 kg (9.4 lb)



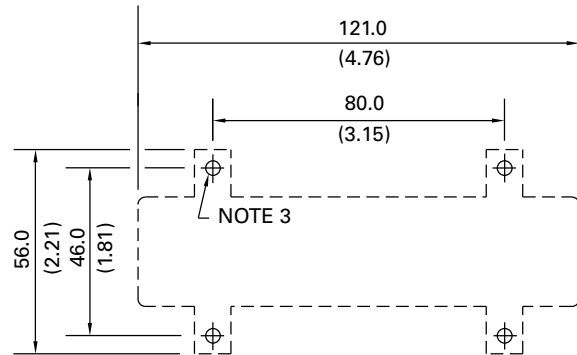
Accessories

SE-CS30 SERIES CURRENT TRANSFORMER

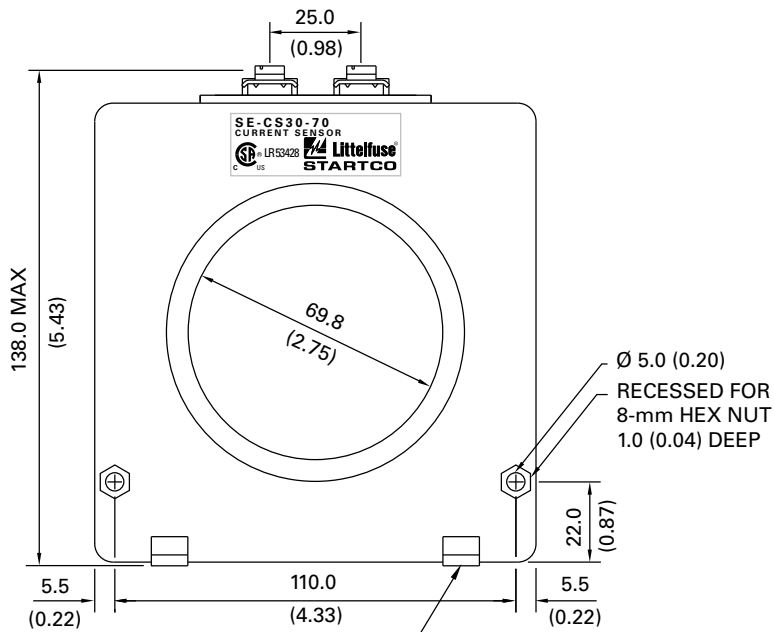
Dimensions and Mounting Diagram SE-CS30-26



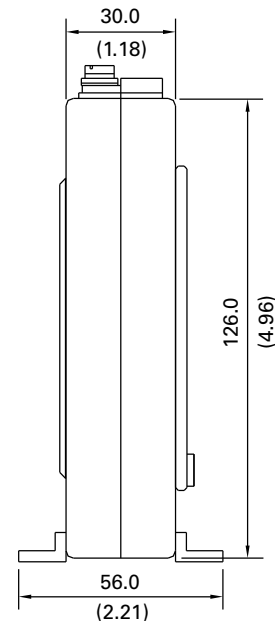
TOP



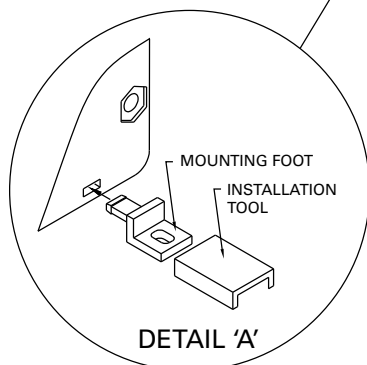
MOUNTING DETAIL



FRONT



SIDE



DETAIL 'A'

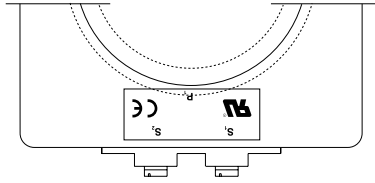
NOTES:

1. DIMENSIONS IN MILLIMETRES (INCHES).
2. PRESS MOUNTING FEET IN PLACE USING INSTALLATION TOOL PROVIDED (DETAIL 'A').
3. MOUNTING SCREWS: M4 OR 8-32.
4. RoHS COMPLIANT.
5. EN 60044-1 COMPLIANT.

Accessories

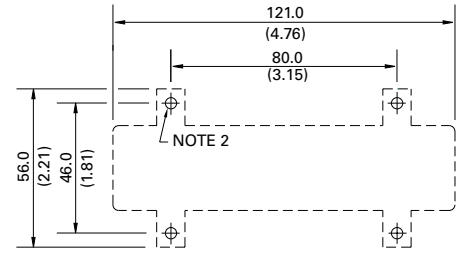
SE-CS30 SERIES CURRENT TRANSFORMER

Dimensions and Mounting Diagram SE-CS30-70

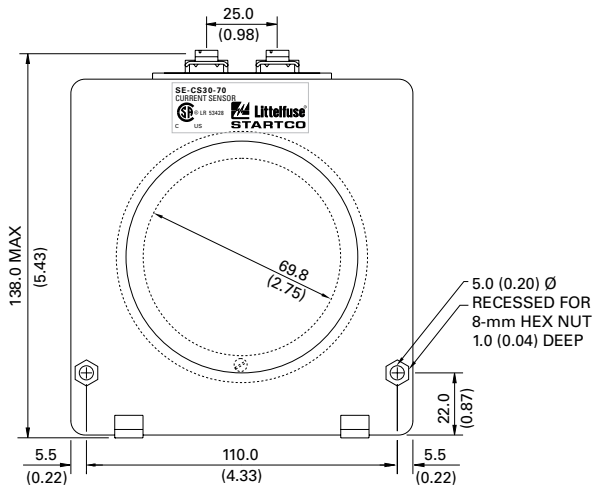


NOTES:

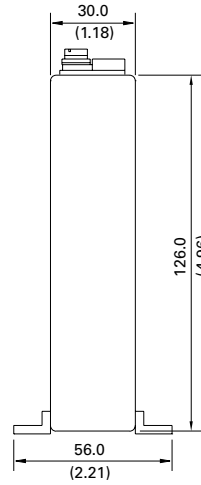
1. DIMENSIONS IN MILLIMETRES (INCHES).
2. MOUNTING SCREWS: M4 OR 8-32.
3. PRESS MOUNTING FEET IN PLACE USING INSTALLATION TOOL PROVIDED.
4. RoHS COMPLIANT.
5. EN 60044-1 COMPLIANT.



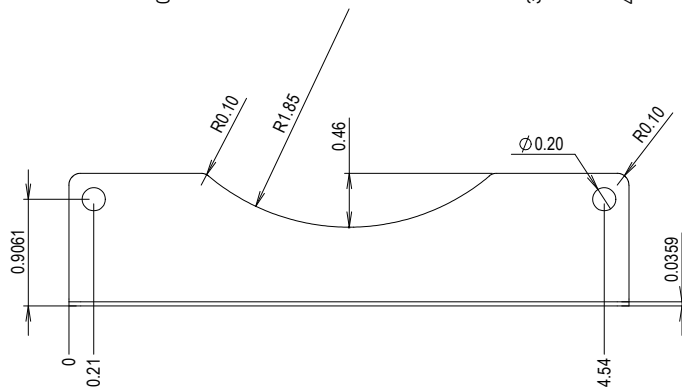
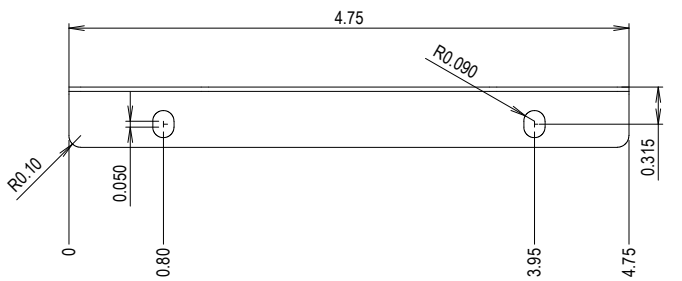
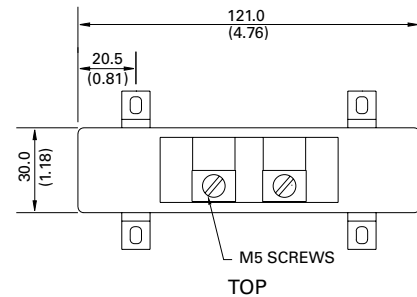
MOUNTING DETAIL



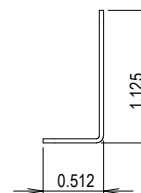
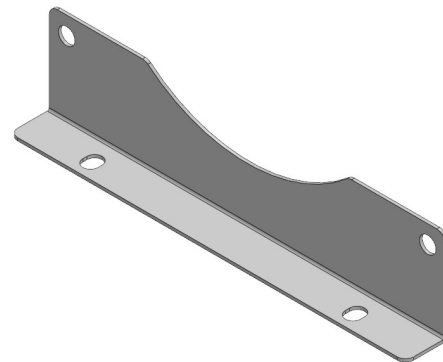
FRONT



SIDE



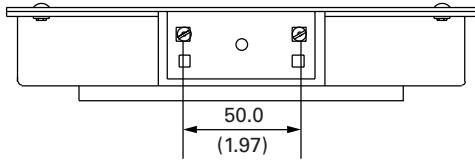
MOUNTING FEET



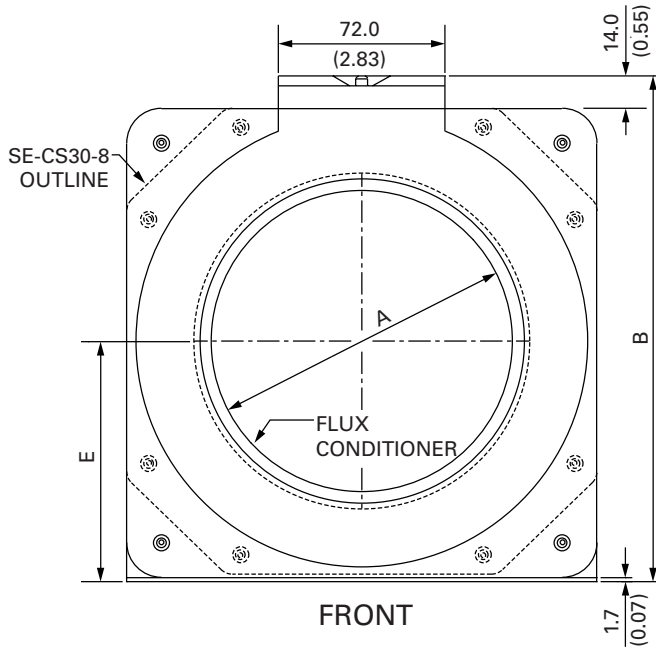
Accessories

SE-CS30 SERIES CURRENT TRANSFORMER

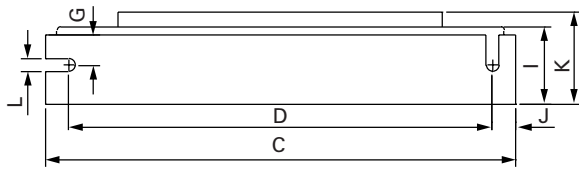
Dimensions and Mounting Diagram SE-CS30-4, SE-CS30-5, and SE-CS30-8



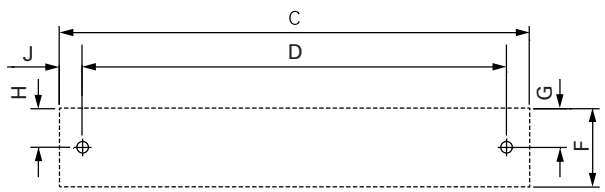
TOP (COVER REMOVED)



FRONT



BOTTOM



MOUNTING DETAIL

NOTES:

1. DIMENSIONS IN MILLIMETRES (INCHES).
2. MOUNTING SCREWS: M5 OR 10-32.
3. RoHS COMPLIANT.
4. CE COMPLIANT.

	DIMENSIONS		
	SE-CS30-4	SE-CS30-5	SE-CS30-8
A	95.0 (3.74)	130.0 (5.12)	200.0 (7.87)
B	175.0 (6.89)	218.0 (8.78)	309.0 (12.17)
C	158.0 (6.22)	203.0 (7.99)	290.5 (11.44)
D	141.0 (5.55)	178.0 (7.01)	267.5 (10.50)
E	82.0 (3.22)	103.5 (4.07)	150.0 (5.90)
F	32.0 (1.26)	32.0 (1.26)	34.0 (1.34)
G	17.5 (0.69)	11.0 (0.43)	11.0 (0.43)
H	15.0 (0.59)	13.3 (0.52)	13.3 (0.52)
I	33.0 (1.30)	34.0 (1.34)	43.0 (1.69)
J	9.0 (0.35)	11.0 (0.43)	11.5 (0.45)
K	40.0 (1.57)	40.0 (1.57)	50.0 (1.97)
L	5.3 (0.21)	7.0 (0.28)	7.0 (0.28)

Disclaimer Notice – Information furnished is believed to be accurate and reliable. However, users should independently evaluate the suitability of and test each product selected for their own applications. Littelfuse products are not designed for, and may not be used in, all applications. Read complete Disclaimer Notice at www.littelfuse.com/product-disclaimer.