

# Accessories

## EFCT SERIES CURRENT TRANSFORMER



### Current Sensor



### Description

The EFCT series is a sensitive nickel-core current transformer used with Littelfuse relays to detect low levels of earth-leakage current.

### Accessories



#### EFCT-1FC Flux Conditioner

used with the EFCT-1 to reduce saturation and prevent false operation due to large surge currents.

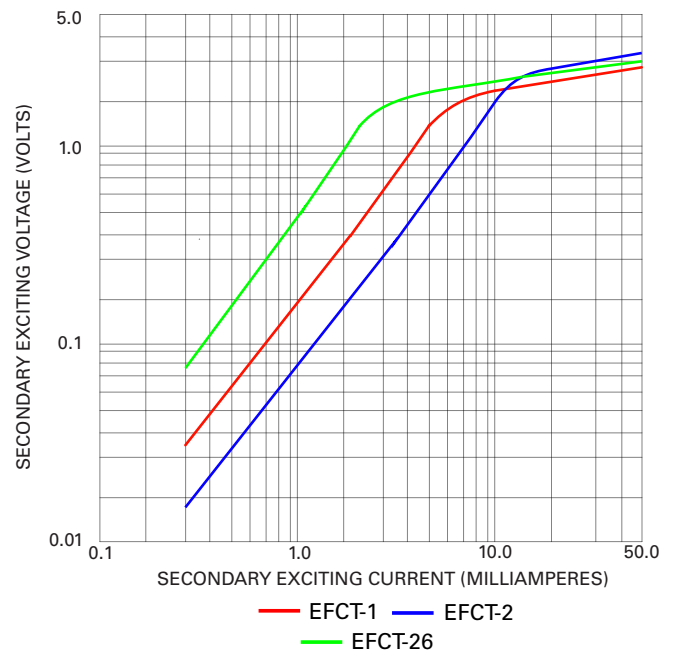
### Ordering Information

ORDERING NUMBER	WINDOW SIZE, ID	WEIGHT
EFCT-26	26 mm (1.0")	0.4 kg (1 lb)
EFCT-1	82 mm (3.2")	0.9 kg (2 lb)
EFCT-2	139 mm (5.5")	2.7 kg (6 lb)

### Specifications

<b>Turns Ratio</b>	100:1
<b>Current Rating</b>	5:0.05 A
<b>Accuracy</b>	3% @ 0.01 VA
<b>Frequency</b>	50 to 400 Hz <sup>1</sup> 0 to 6 kHz for EL731
<b>Insulation Level</b>	600 V
<b>Operating Temperature</b>	-55 to 60°C (-67 to 140°F)
<b>Application</b>	EL731, FPU-32, FPS, MPU-32, MPS, SE-330, SE-701, SE-703
<b>Certification</b>	CSA, UL, CE
<b>Compliance</b>	RoHS, IEC 60044-1

Note: <sup>1</sup> Frequency response may be extended for specific product families.

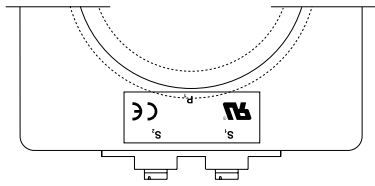


# Accessories

## EFCT SERIES CURRENT TRANSFORMER

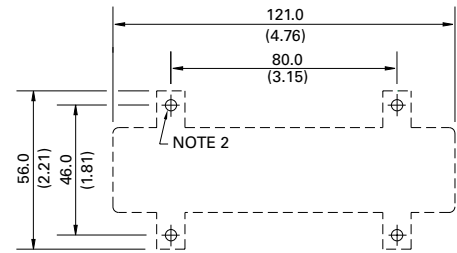
### Dimensions and Mounting Diagram

#### EFCT-1

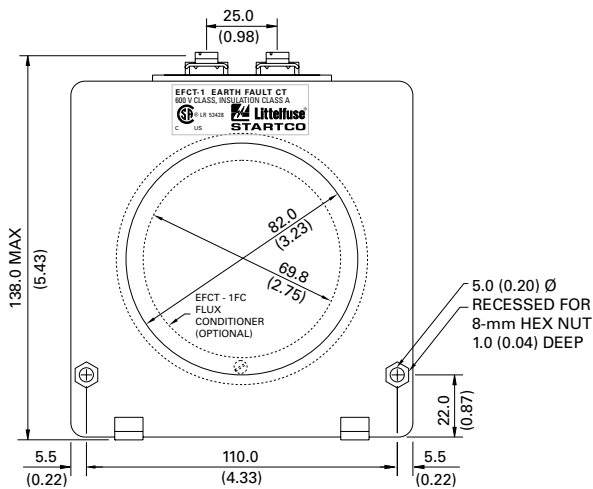


**NOTES:**

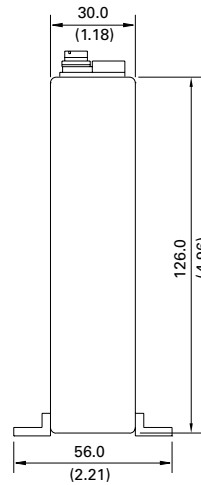
1. DIMENSIONS IN MILLIMETRES (INCHES).
2. MOUNTING SCREWS: M4 OR 8-32.
3. PRESS MOUNTING FEET IN PLACE USING INSTALLATION TOOL PROVIDED.
4. RoHS COMPLIANT.
5. EN 60044-1 COMPLIANT.



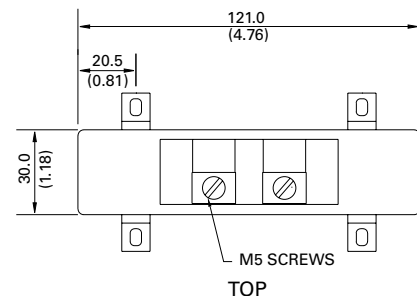
MOUNTING DETAIL



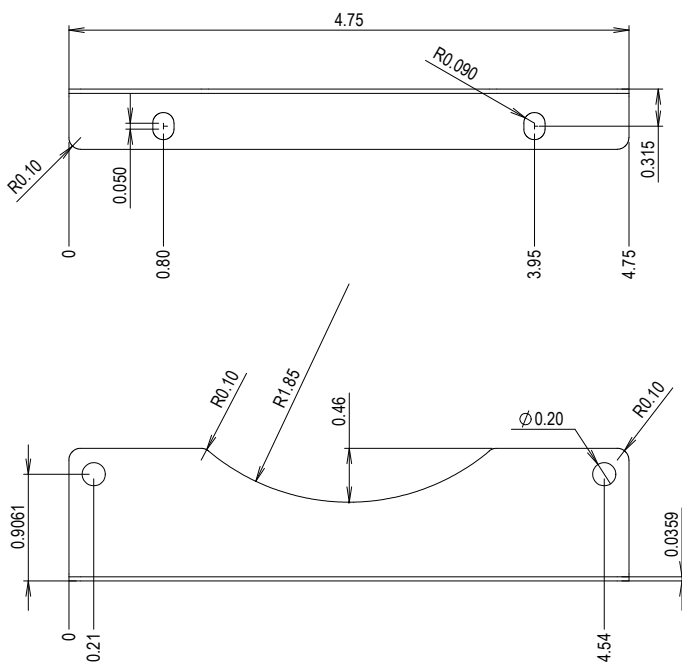
FRONT



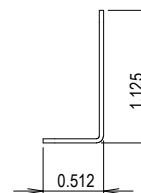
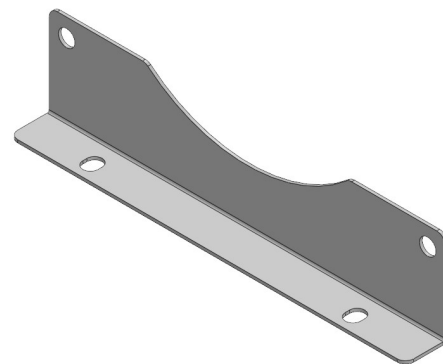
SIDE



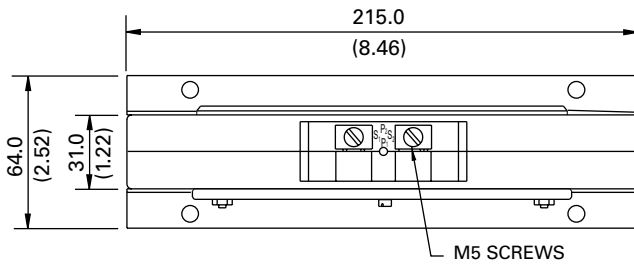
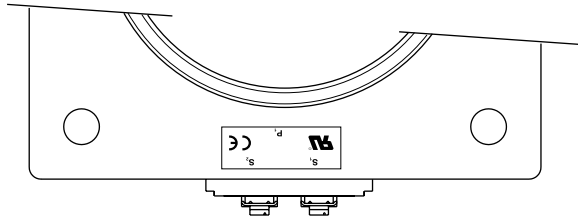
TOP



MOUNTING FEET



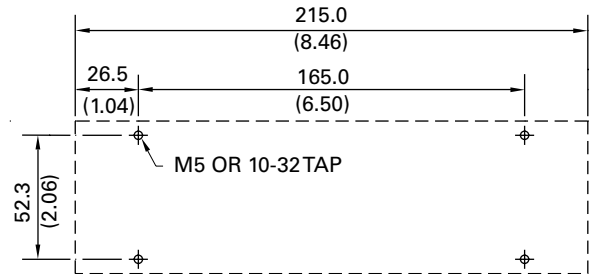
**Dimensions and Mounting Diagram**  
**EFCT-2**



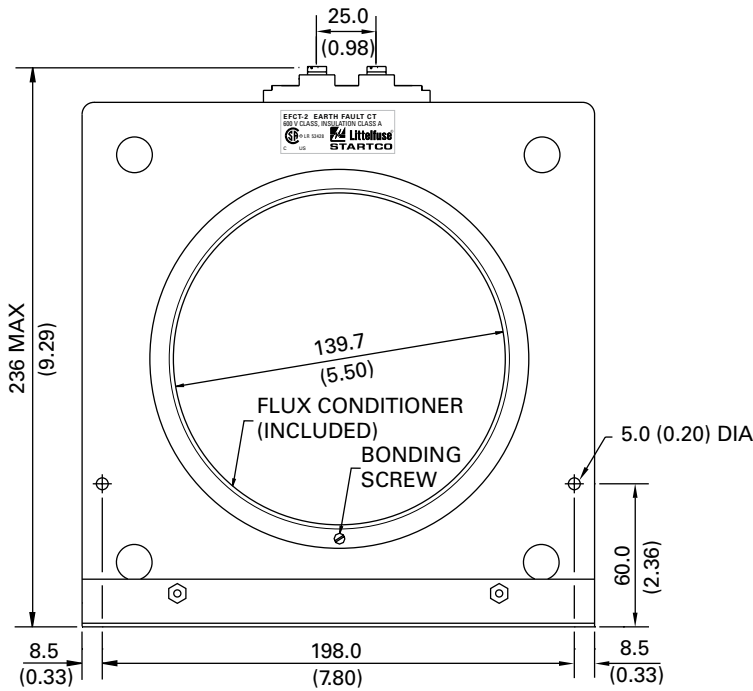
**TOP**

**NOTES:**

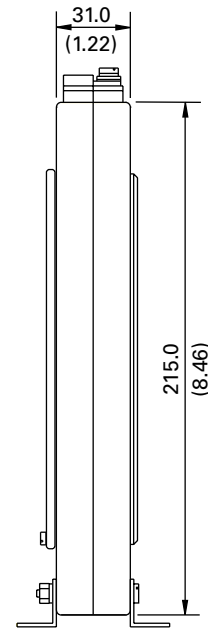
1. DIMENSIONS IN MILLIMETRES (INCHES).
2. MOUNTING SCREWS: M5 OR 10-32.
3. RoHS COMPLIANT.
4. EN 60044-1 COMPLIANT.



**MOUNTING DETAIL**



**FRONT**



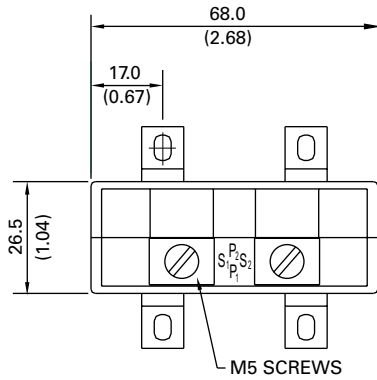
**SIDE**

# Accessories

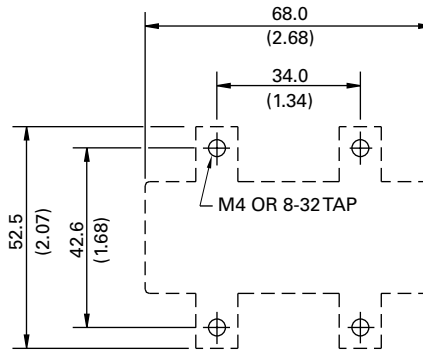
## EFCT SERIES CURRENT TRANSFORMER

### Dimensions and Mounting Diagram

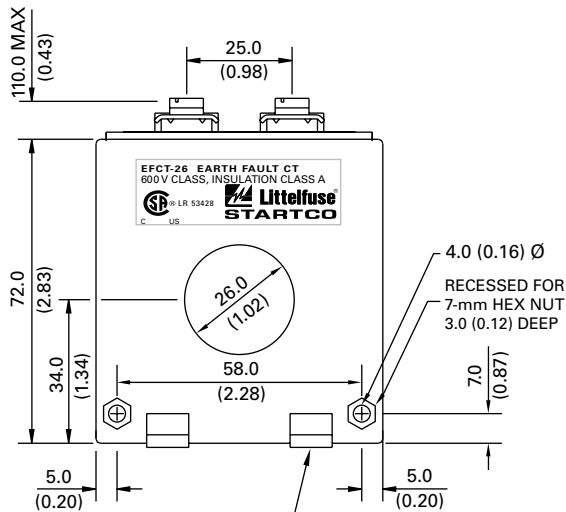
#### EFCT-26



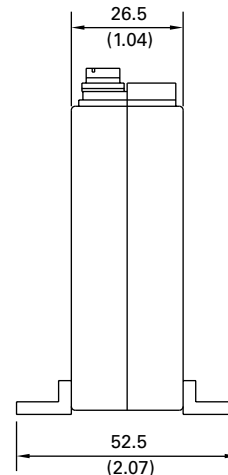
TOP



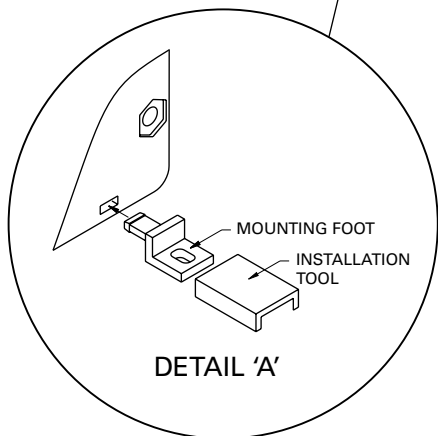
MOUNTING DETAIL



FRONT



SIDE



DETAIL 'A'

#### NOTES:

1. DIMENSIONS IN MILLIMETRES (INCHES).
2. MOUNTING SCREWS: M4 OR 8-32.
3. PRESS MOUNTING FEET IN PLACE USING INSTALLATION TOOL PROVIDED. (DETAIL 'A')
4. RoHS COMPLIANT.
5. EN 60044-1 COMPLIANT.
6. NOT ALL CERTIFICATIONS SHOWN.

**Disclaimer Notice** – Information furnished is believed to be accurate and reliable. However, users should independently evaluate the suitability of and test each product selected for their own applications. Littelfuse products are not designed for, and may not be used in, all applications. Read complete Disclaimer Notice at [www.littelfuse.com/product-disclaimer](http://www.littelfuse.com/product-disclaimer).