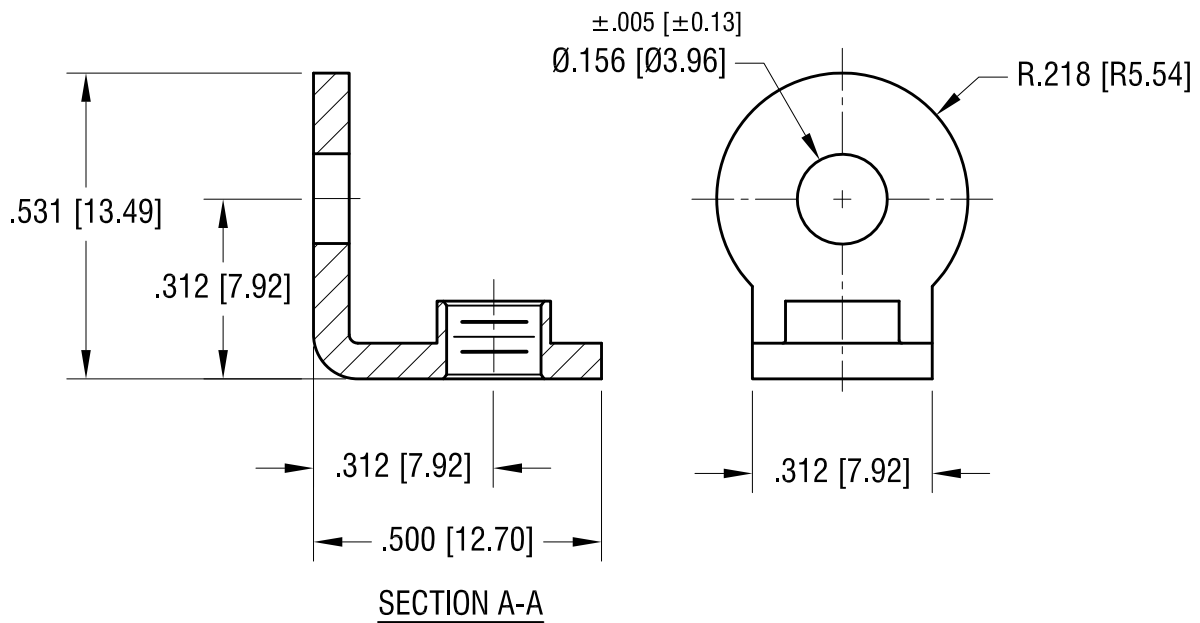
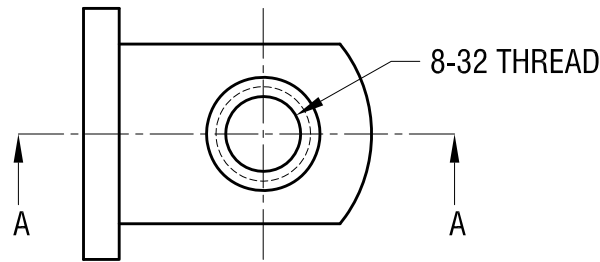


THIS DOCUMENT IS THE PROPERTY OF KEYSTONE ELECTRONICS CORP. AND SHALL NOT BE REPRODUCED, DISTRIBUTED OR USED AS A BASIS FOR MANUFACTURE WITHOUT PRIOR WRITTEN PERMISSION FROM KEYSTONE ELECTRONICS CORP.

ACTUAL SIZE



6.28.23	MAT'L TH'M WAS .062 [1.57] CHANGE AS PER ECN 23-109	B
1.4.08	CHANGE AS PER ECN 08-029	A
DATE	DESCRIPTION	REV.

KEYSTONE ELECTRONICS CORP.			
www.keyelco.com • NEW HYDE PARK, NY 11040 • Tel (516) 328-7500			
PART NAME			
THREADED MOUNTING BRACKET			
MATERIAL			
.060 [1.52] TH'K BRASS			
FINISH		DRN BY	DATE
NICKEL PLATE		BOONE	10.22.97
		APP'D	SCALE
		RH	3X
TOLERANCES	INCH [MM]	CODE	DWG NO.
DECIMAL	$\pm .010$ [± 0.25]	C	4333
ANGULAR	$\pm 1^\circ$		
UNLESS OTHERWISE SPECIFIED			