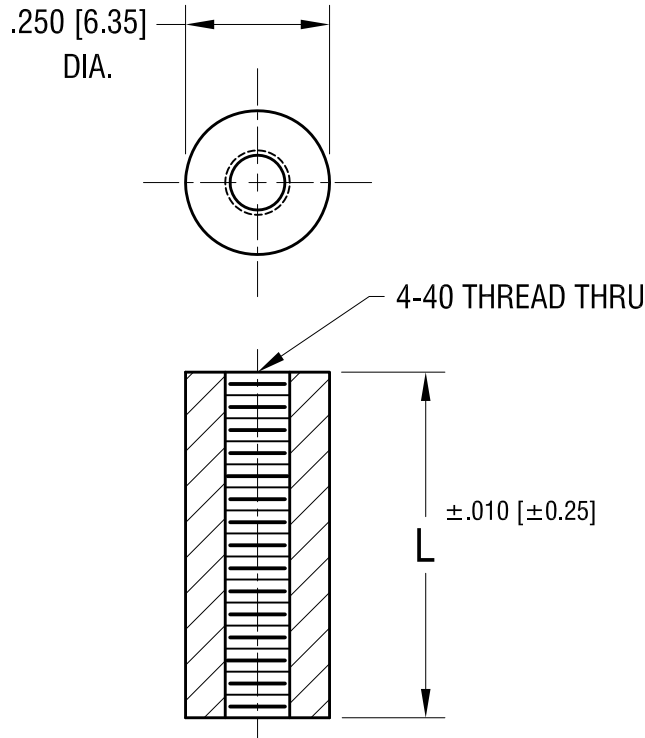


THIS DOCUMENT IS THE PROPERTY OF
KEYSTONE ELECTRONICS CORP. AND
SHALL NOT BE REPRODUCED, DISTRIBUTED
OR USED AS A BASIS FOR MANUFACTURE
WITHOUT PRIOR WRITTEN PERMISSION
FROM KEYSTONE ELECTRONICS CORP.

ACTUAL SIZE



PART NUMBER 378



| PART NO. | 'L' DIM. |
|----------|--------------|
| 376 | .250 [6.35] |
| 377 | .375 [9.52] |
| 378 | .500 [12.70] |
| 379 | .750 [19.05] |
| 380 | 1.000 [25.4] |

NOTE:
1. MAT'L: RESIN BASED MOLDED PHENOLIC

| | | | |
|--|--|--------|------------------|
| KEYSTONE ELECTRONICS CORP. | | | |
| www.keyelco.com • NEW HYDE PARK NY 11040 • Tel (516)328-7500 | | | |
| PART NAME | | | |
| THRADED ROUND STANDOFF | | | |
| MATERIAL | | | |
| AS NOTED | | | |
| FINISH | | DRN BY | DATE |
| NONE | | BOONE | 9.13.99 |
| | | APP'D | SCALE |
| | | RH | 3X |
| TOLERANCES | | INCH | [MM] |
| DECIMAL | | ± .005 | [± 0.13] |
| ANGULAR | | ± 1° | |
| UNLESS OTHERWISE SPECIFIED | | CODE | DWG NO. |
| | | C | 376 - 380 |

| | | |
|---------|--------------------------|------|
| 9.28.23 | CHANGE AS PER ECN 23-183 | A |
| DATE | DESCRIPTION | REV. |