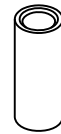
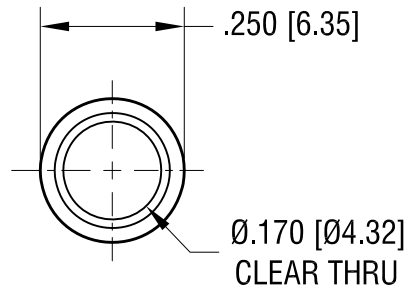
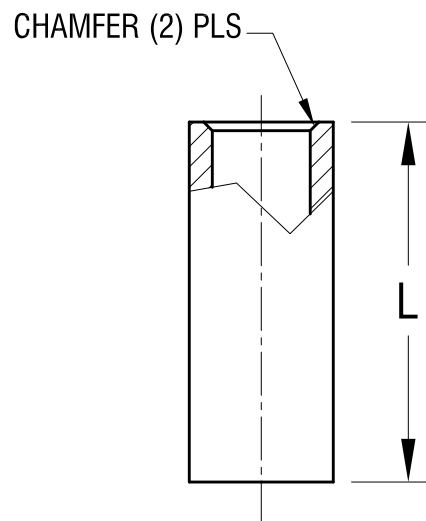


THIS DOCUMENT IS THE PROPERTY OF
KEYSTONE ELECTRONICS CORP. AND
SHALL NOT BE REPRODUCED, DISTRIBUTED
OR USED AS A BASIS FOR MANUFACTURE
WITHOUT PRIOR WRITTEN PERMISSION
FROM KEYSTONE ELECTRONICS CORP.

ACTUAL SIZE



PART 4259



PART NO.	'L' DIM.
4258	.125 [3.18]
4259	.625 [15.88]
4260	.875 [22.23]

KEYSTONE ELECTRONICS CORP.			
www.keyelco.com • NEW HYDE PARK, NY 11040 • Tel (516) 328-7500			
PART NAME			
CLEAR THRU-HOLE SPACER			
MATERIAL			
LEAD FREE ALUMINUM			
FINISH		DRN BY	DATE
CLEAR IRIDITE		BOONE	2.12.98
		APP'D	SCALE
		RH	3X
TOLERANCES	INCH [MM]	CODE	DWG NO.
DECIMAL	± .005 [± 0.13]	C	4258 - 4260
ANGULAR	± 1°		
UNLESS OTHERWISE SPECIFIED			

10.13.23	CHANGE AS PER ECN 23-200	A
DATE	DESCRIPTION	REV.