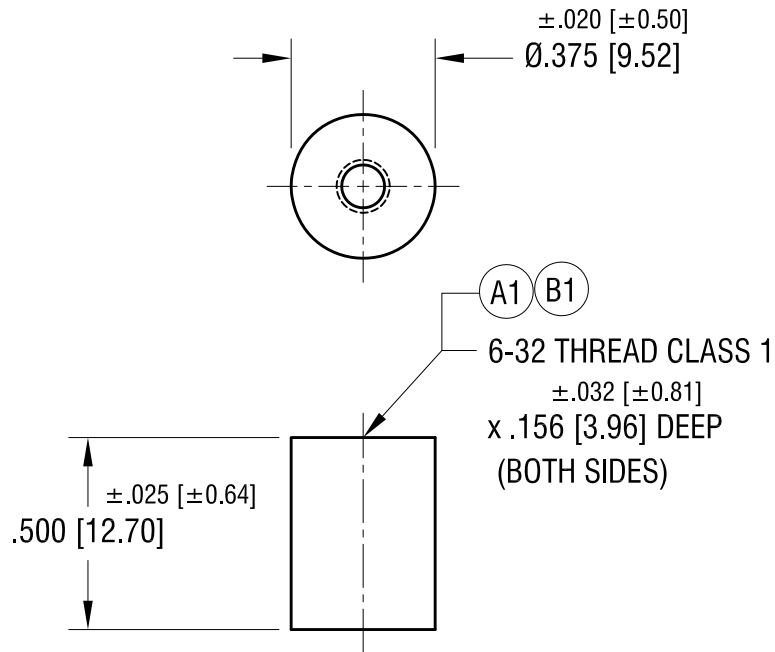
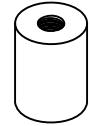


THIS DOCUMENT IS THE PROPERTY OF
KEYSTONE ELECTRONICS CORP. AND
SHALL NOT BE REPRODUCED, DISTRIBUTED
OR USED AS A BASIS FOR MANUFACTURE
WITHOUT PRIOR WRITTEN PERMISSION
FROM KEYSTONE ELECTRONICS CORP.

ACTUAL SIZE



KEYSTONE ELECTRONICS CORP.

www.keyelco.com • NEW HYDE PARK NY 11040 • Tel (516)328-7500

PART NAME		CERAMIC STANDOFF	
MATERIAL		GRADE L5 CERAMIC	
FINISH		DRN BY	DATE
GLAZED		BOONE	11.22.96
TOLERANCES		APP'D	SCALE
DECIMAL $\pm .005$ [± 0.13]		RH	2X
ANGULAR $\pm 1^\circ$		DWG NO.	
UNLESS OTHERWISE SPECIFIED		7713	

3.30.22	B1 WAS $.156 \pm .015$ DEEP CHANGE AS PER ECN 22-063	B
10.05.04	ECN 04-130, A1 WAS $.187$	A
DATE	DESCRIPTION	REV.