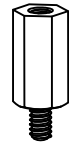
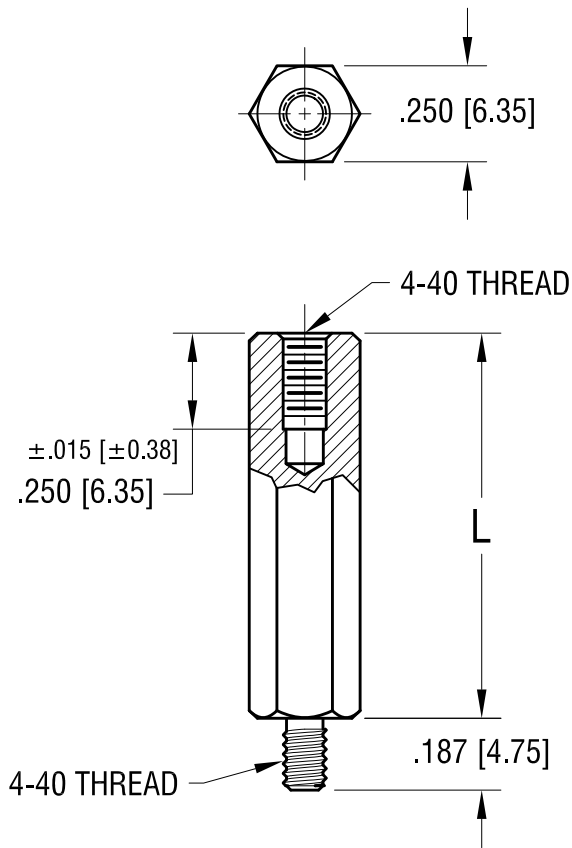


THIS DOCUMENT IS THE PROPERTY OF
KEYSTONE ELECTRONICS CORP. AND
SHALL NOT BE REPRODUCED, DISTRIBUTED
OR USED AS A BASIS FOR MANUFACTURE
WITHOUT PRIOR WRITTEN PERMISSION
FROM KEYSTONE ELECTRONICS CORP.

ACTUAL SIZE



P/N 2088



PART NO.	'L' DIM.
2088	.500 [12.70]
2089	.625 [15.87]
2090	.750 [19.05]
2091	.875 [22.22]
2092	1.000 [25.4]
2093	1.125 [28.57]

7.7.22	CHANGE AS PER ECN 22-116	B
3.3.97	CHANGE AS PER ECR 97-015	A
DATE	DESCRIPTION	REV.

KEYSTONE ELECTRONICS CORP.			
www.keyelco.com • NEW HYDE PARK NY 11040 • Tel (516)328-7500			
PART NAME		HEX M/F STANDOFF	
MATERIAL		STAINLESS STEEL	
FINISH	NONE	DRN BY	BOONE
		APP'D	LN
		DATE	4.26.94
		SCALE	2X
TOLERANCES	INCH [MM]	CODE	DWG NO.
DECIMAL	± .005 [± 0.13]	C	2088-2093
ANGULAR	± 1°		
UNLESS OTHERWISE SPECIFIED			