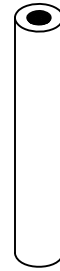
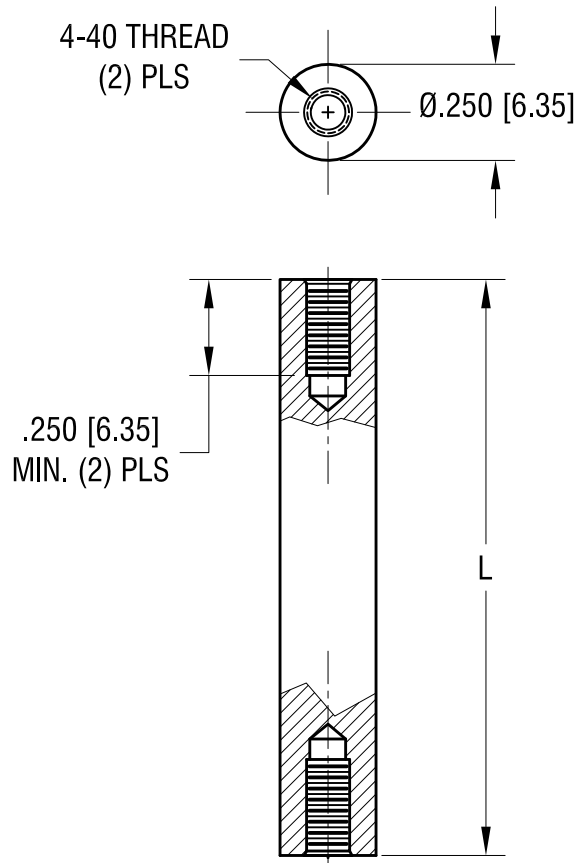


THIS DOCUMENT IS THE PROPERTY OF  
KEYSTONE ELECTRONICS CORP. AND  
SHALL NOT BE REPRODUCED, DISTRIBUTED  
OR USED AS A BASIS FOR MANUFACTURE  
WITHOUT PRIOR WRITTEN PERMISSION  
FROM KEYSTONE ELECTRONICS CORP.

ACTUAL SIZE



P/N 3483

PART NO.	'L' DIM.
3483	1.500 [38.10]
3484	2.000 [50.80]

<b>KEYSTONE ELECTRONICS CORP.</b>			
www.keyelco.com • NEW HYDE PARK NY 11040 • Tel (516)328-7500			
PART NAME THREADED ROUND STANDOFF			
MATERIAL LEAD FREE ALUMINUM			
FINISH CLEAR IRIDITE		DRN BY BOONE	DATE 3.12.98
		APP'D RH	SCALE 2X
TOLERANCES	INCH [MM]	CODE	DWG NO.
DECIMAL	± .005 [± 0.13]	C	3483-3484
ANGULAR	± 1°		
UNLESS OTHERWISE SPECIFIED			

DATE	DESCRIPTION	REV.
1.04.24	CHANGE AS PER ECN 24-008	B
7.29.05	CHANGE AS PER ECN 05-055	A