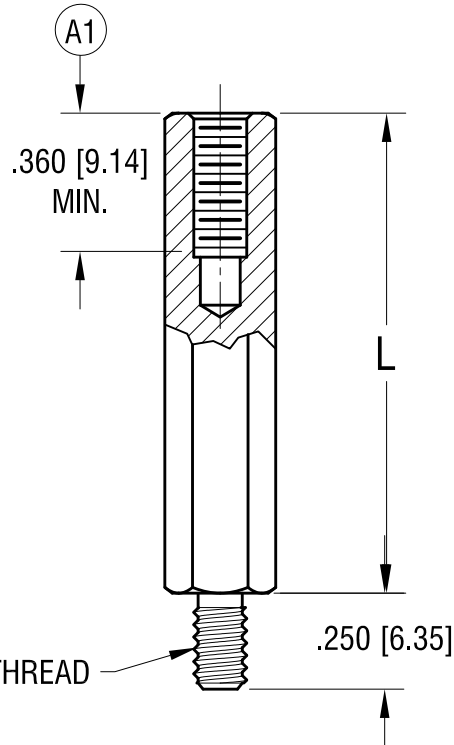
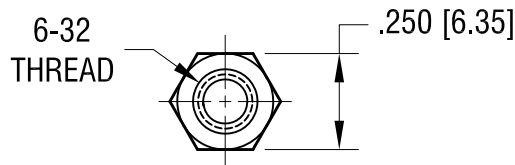


THIS DOCUMENT IS THE PROPERTY OF  
KEYSTONE ELECTRONICS CORP. AND  
SHALL NOT BE REPRODUCED, DISTRIBUTED  
OR USED AS A BASIS FOR MANUFACTURE  
WITHOUT PRIOR WRITTEN PERMISSION  
FROM KEYSTONE ELECTRONICS CORP.

**ACTUAL SIZE**



P/N 8420



PART NO.	'L' DIM.
8420	1.250 [31.75]
8421	1.375 [34.93]
8422	1.500 [38.10]
8423	1.625 [41.28]
8424	1.750 [44.45]
8425	2.000 [50.80]

**KEYSTONE ELECTRONICS CORP.**

www.keyelco.com • NEW HYDE PARK, NY 11040 • Tel (516) 328-7500

PART NAME		HEX M/F STANDOFF	
MATERIAL		LEAD FREE ALUMINUM	
FINISH	CLEAR IRIDITE	DRN BY	BOONE
		DATE	8.26.96
		APP'D	SCALE
			2X
TOLERANCES	INCH [MM]	CODE	DWG NO.
DECIMAL	± .005 [± 0.13]	C	8420-8425
ANGULAR	± 1°		
UNLESS OTHERWISE SPECIFIED			

1.04.24	CHANGE AS PER ECN 24-017	B
9.12.14	PER ECN 14-091, A1 WAS 375	A
DATE	DESCRIPTION	REV.