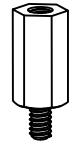
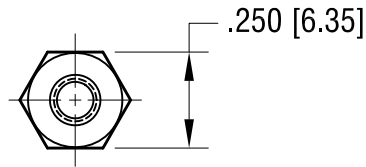
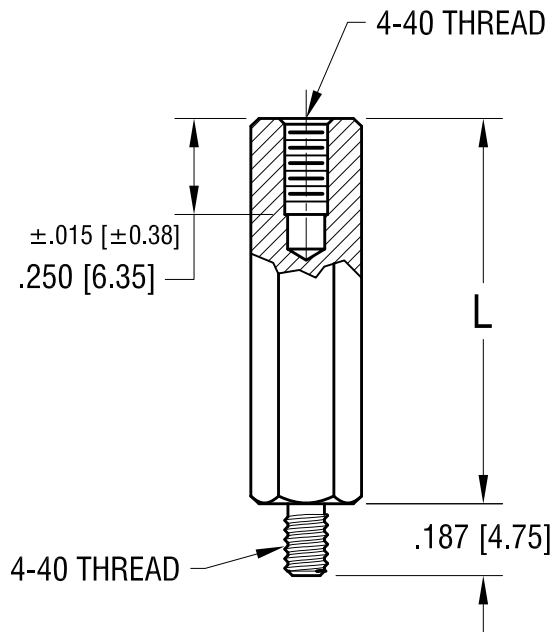


THIS DOCUMENT IS THE PROPERTY OF  
KEYSTONE ELECTRONICS CORP. AND  
SHALL NOT BE REPRODUCED, DISTRIBUTED  
OR USED AS A BASIS FOR MANUFACTURE  
WITHOUT PRIOR WRITTEN PERMISSION  
FROM KEYSTONE ELECTRONICS CORP.

ACTUAL SIZE



P/N 8401



PART NO.	'L' DIM.
8401	.500 [12.70]
8402	.625 [15.87]
8403	.750 [19.05]
8404	.875 [22.22]
8405	1.000 [25.4]
8406	1.125 [28.57]

1.04.24	CHANGE AS PER ECN 24-014	C
7.7.22	CHANGE AS PER ECN 22-117	B
3.3.97	CHANGE AS PER ECR 97-019	A
DATE	DESCRIPTION	REV.

<b>KEYSTONE ELECTRONICS CORP.</b>			
www.keyelco.com • NEW HYDE PARK, NY 11040 • Tel (516) 328-7500			
PART NAME		HEX M/F STANDOFF	
MATERIAL		LEAD FREE ALUMINUM	
FINISH		DRN BY	DATE
CLEAR IRIDITE		BOONE	4.26.94
TOLERANCES		APP'D	SCALE
INCH [MM]		RH	2X
DECIMAL ± .005 [± 0.13]		DWG NO.	
ANGULAR ± 1°		8401-8406	
UNLESS OTHERWISE SPECIFIED		CODE	
		C	