

# Thin-Film RF/Microwave Filters

## Low Pass 0805 High Performance SMD 8W

### LP0805H0400ASTR – SMD Termination



#### ITF TECHNOLOGY

The ITF SMD Filter is based on thin-film multilayer technology. The technology provides a miniature part with excellent high frequency performance and rugged construction for reliable automatic assembly.

The ITF Filter is offered in a variety of frequency bands compatible with various types of high frequency wireless systems.

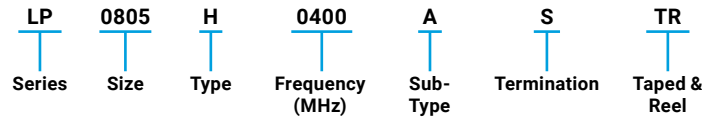
#### FEATURES

- Small size: 0805
- Frequency: 400MHz
- Sharp attenuation slope
- Characteristic impedance: 50ohm
- Operating / Storage temp: -40°C – +100°C
- Low profile
- Rugged construction
- Taped and reeled
- Power handling: 8W

#### APPLICATIONS

- Mobile communications
- Satellite TV receivers
- GPS
- Vehicle location systems
- Wireless LAN's

#### HOW TO ORDER



#### FINAL QUALITY INSPECTION

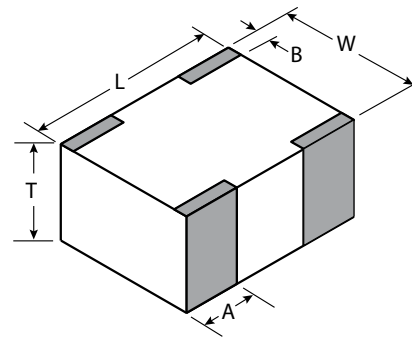
Finished parts are 100% tested for electrical parameters and visual/mechanical characteristics. Each production lot is evaluated on a sample basis for:

- Static Humidity: 85°C, 85% RH, 160 hours
- Endurance: 125°C, I<sub>R</sub>, 4 hours

#### TERMINATION

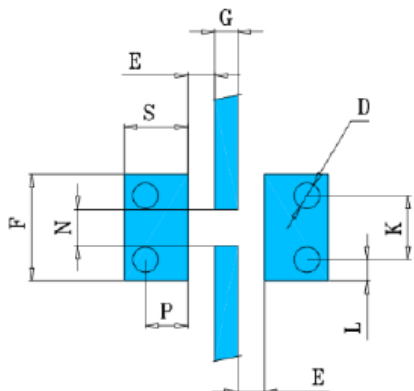
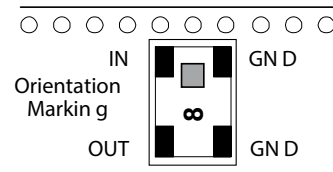
Nickel/ Lead free Solder coating (Sn100) compatible with automatic soldering technologies: reflow, wave soldering, vapor phase and manual.

#### DIMENSIONS (TOP VIEW)



mm (inches)	
L	2.03±0.10 (0.080±0.004)
W	1.55±0.10 (0.061±0.004)
T	0.80±0.10 (0.031±0.004)
A	0.56±0.25 (0.022±0.010)
B	0.35±0.15 (0.014±0.006)

#### TERMINALS AND LAYOUT (TOP VIEW)



Dimensions: millimeters

G	0.54
N	0.85
E	0.63
S	1.5
F	2.5
K	1.5
P	1.0
L	0.5
D	∅0.6

\*The recommended distance to the PCB Ground Plane is 0.254mm (0.010")

\*\* PCB: Taconic Orcer RF-35P

# Thin-Film RF/Microwave Filters

## Low Pass 0805 High Performance SMD 8W

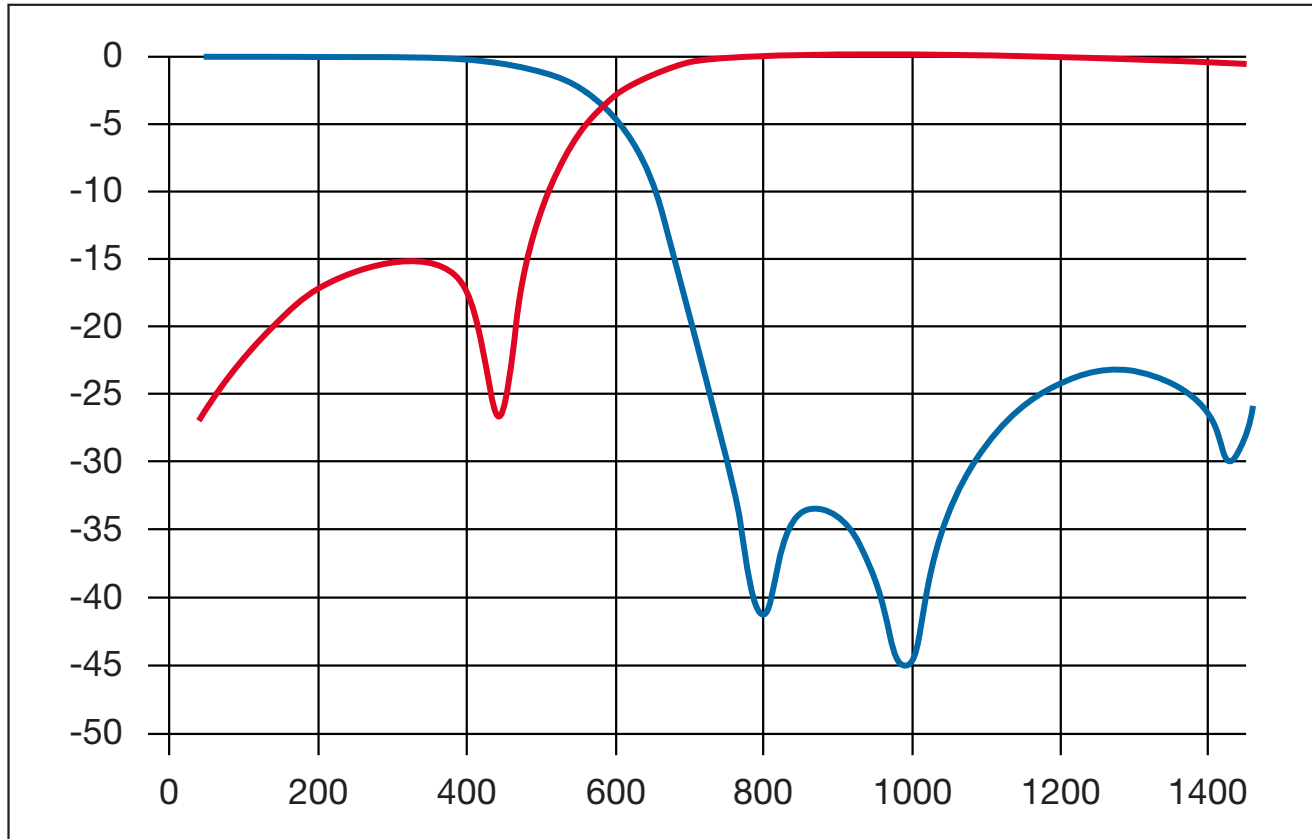
### LP0805H0400ASTR – SMD Termination



#### ELECTRICAL CHARACTERISTICS

P/N	Frequency	I.Loss @ 400MHz	R.Loss @ 400MHz	Attenuation
LP0805H0400ASTR	400MHz	-0.6dB max.	-15dB	-30dB at 800MHz -20dB at 1200MHz

#### TYPICAL ELECTRICAL PERFORMANCE



# Thin-Film RF/Microwave Filters

## Low Pass 0805 High Performance SMD 8W

### LP0805H0420ASTR – SMD Termination



#### ITF TECHNOLOGY

The ITF SMD Filter is based on thin-film multilayer technology. The technology provides a miniature part with excellent high frequency performance and rugged construction for reliable automatic assembly.

The ITF Filter is offered in a variety of frequency bands compatible with various types of high frequency wireless systems.

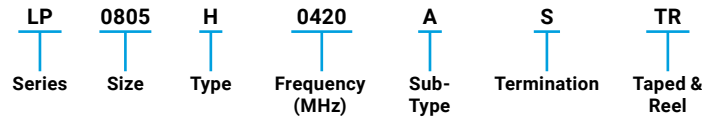
#### FEATURES

- Small size: 0805
- Frequency: 420MHz
- Sharp attenuation slope
- Characteristic impedance: 50ohm
- Operating / Storage temp: -40°C – +100°C
- Low profile
- Rugged construction
- Taped and reeled
- Power handling: 8W

#### APPLICATIONS

- Mobile communications
- Satellite TV receivers
- GPS
- Vehicle location systems
- Wireless LAN's

#### HOW TO ORDER



#### FINAL QUALITY INSPECTION

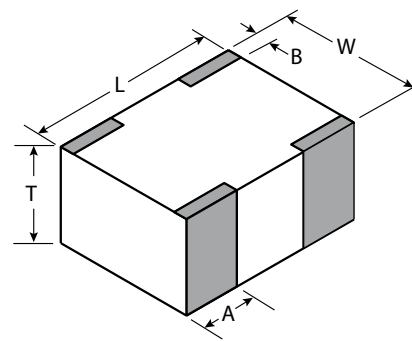
Finished parts are 100% tested for electrical parameters and visual/mechanical characteristics. Each production lot is evaluated on a sample basis for:

- Static Humidity: 85°C, 85% RH, 160 hours
- Endurance: 125°C, I<sub>R</sub>, 4 hours

#### TERMINATION

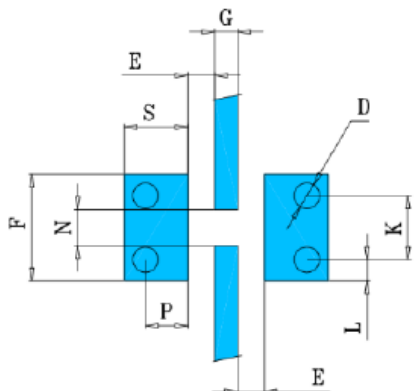
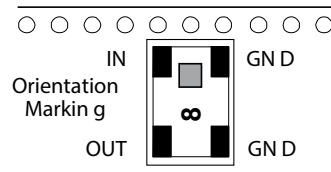
Nickel/ Lead free Solder coating (Sn100) compatible with automatic soldering technologies: reflow, wave soldering, vapor phase and manual.

#### DIMENSIONS (TOP VIEW)



mm (inches)	
L	2.03±0.10 (0.080±0.004)
W	1.55±0.10 (0.061±0.004)
T	0.80±0.10 (0.031±0.004)
A	0.56±0.25 (0.022±0.010)
B	0.35±0.15 (0.014±0.006)

#### TERMINALS AND LAYOUT (TOP VIEW)



Dimensions: millimeters

G	0.54
N	0.85
E	0.63
S	1.5
F	2.5
K	1.5
P	1.0
L	0.5
D	∅0.6

\*The recommended distance to the PCB Ground Plane is 0.254mm (0.010")

\*\* PCB: Taconic Orcer RF-35P

# Thin-Film RF/Microwave Filters

## Low Pass 0805 High Performance SMD 8W

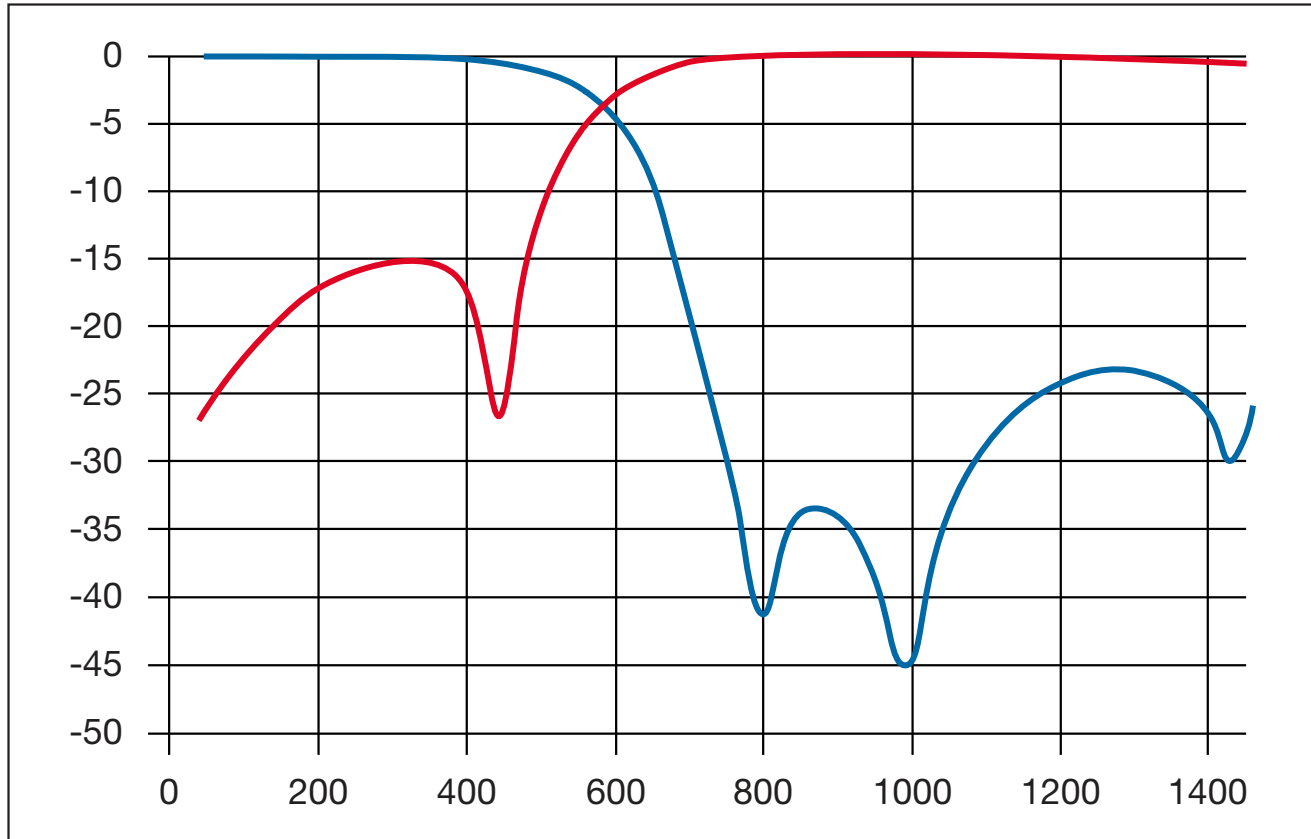
### LP0805H0420ASTR – SMD Termination



#### ELECTRICAL CHARACTERISTICS

P/N	Frequency	I.Loss @ 420MHz	R.Loss @ 420MHz	Attenuation
LP0805H0420ASTR	420MHz	-0.6dB max.	-15dB	-30dB at 840MHz -20dB at 1260MHz

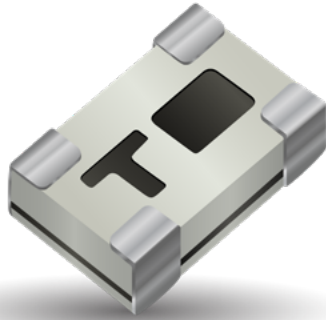
#### TYPICAL ELECTRICAL PERFORMANCE



# Thin-Film RF/Microwave Filters

## Low Pass 0805 High Performance SMD 8W

### LP0805H0450ASTR – SMD Termination



#### ITF TECHNOLOGY

The ITF SMD Filter is based on thin-film multilayer technology. The technology provides a miniature part with excellent high frequency performance and rugged construction for reliable automatic assembly.

The ITF Filter is offered in a variety of frequency bands compatible with various types of high frequency wireless systems.

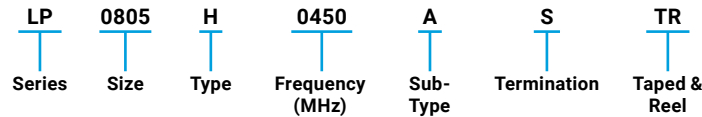
#### FEATURES

- Small size: 0805
- Frequency: 450MHz
- Sharp attenuation slope
- Characteristic impedance: 50ohm
- Operating / Storage temp: -40°C – +100°C
- Low profile
- Rugged construction
- Taped and reeled
- Power handling: 8W

#### APPLICATIONS

- Mobile communications
- Satellite TV receivers
- GPS
- Vehicle location systems
- Wireless LAN's

#### HOW TO ORDER



#### FINAL QUALITY INSPECTION

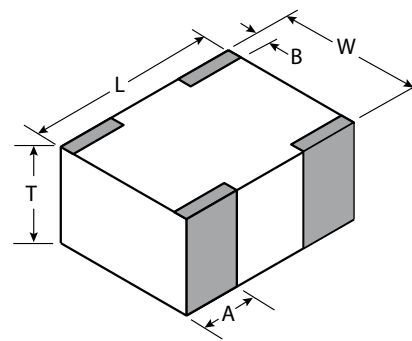
Finished parts are 100% tested for electrical parameters and visual/mechanical characteristics. Each production lot is evaluated on a sample basis for:

- Static Humidity: 85°C, 85% RH, 160 hours
- Endurance: 125°C, I<sub>R</sub>, 4 hours

#### TERMINATION

Nickel/ Lead free Solder coating (Sn100) compatible with automatic soldering technologies: reflow, wave soldering, vapor phase and manual.

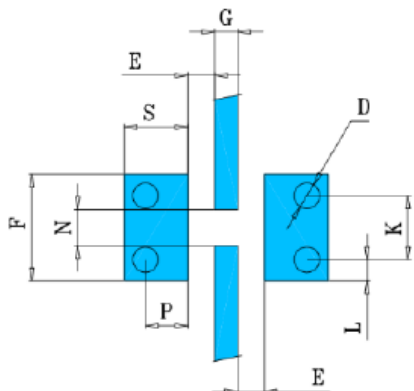
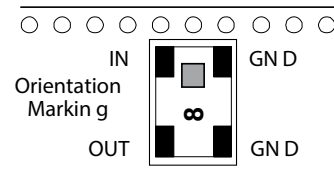
#### DIMENSIONS (TOP VIEW)



#### mm (inches)

L	2.03±0.10 (0.080±0.004)
W	1.55±0.10 (0.061±0.004)
T	0.80±0.10 (0.031±0.004)
A	0.56±0.25 (0.022±0.010)
B	0.35±0.15 (0.014±0.006)

#### TERMINALS AND LAYOUT (TOP VIEW)



Dimensions: millimeters

G	0.54
N	0.85
E	0.63
S	1.5
F	2.5
K	1.5
P	1.0
L	0.5
D	∅0.6

\*The recommended distance to the PCB Ground Plane is 0.254mm (0.010")

\*\* PCB: Taconic Orcer RF-35P

# Thin-Film RF/Microwave Filters

## Low Pass 0805 High Performance SMD 8W

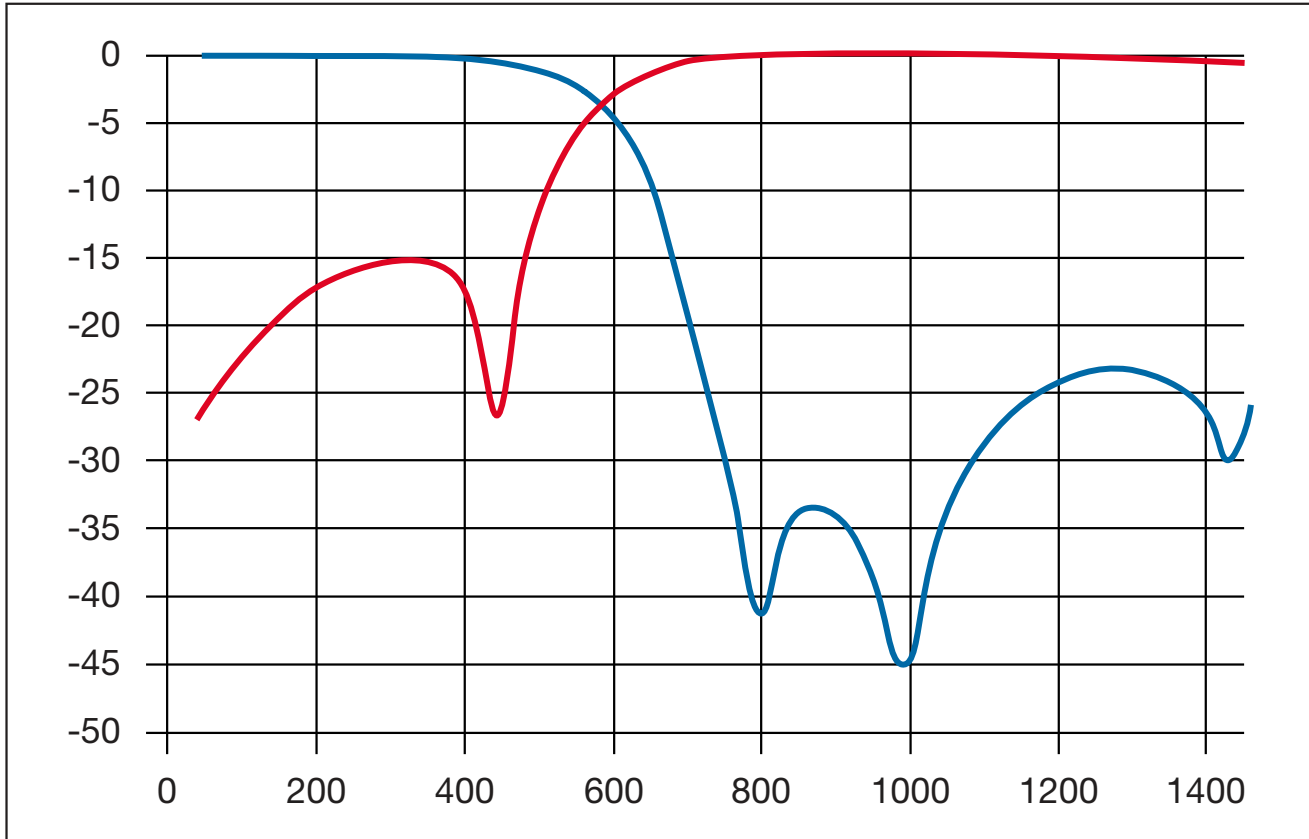
### LP0805H0450ASTR – SMD Termination



#### ELECTRICAL CHARACTERISTICS

P/N	Frequency	I.Loss @ 450MHz	R.Loss @ 450MHz	Attenuation
LP0805H0450ASTR	450MHz	-0.6dB max.	-15dB	-28dB at 900MHz -20dB at 1350MHz

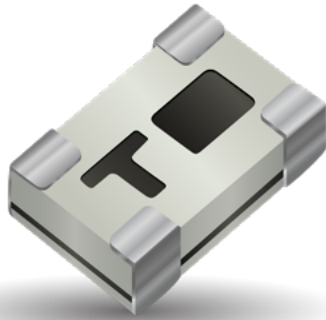
#### TYPICAL ELECTRICAL PERFORMANCE



# Thin-Film RF/Microwave Filters

## Low Pass 0805 High Performance SMD 8W

### LP0805H0470ASTR – SMD Termination



#### ITF TECHNOLOGY

The ITF SMD Filter is based on thin-film multilayer technology. The technology provides a miniature part with excellent high frequency performance and rugged construction for reliable automatic assembly.

The ITF Filter is offered in a variety of frequency bands compatible with various types of high frequency wireless systems.

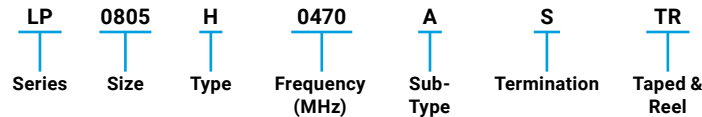
#### FEATURES

- Small size: 0805
- Frequency: 470MHz
- Sharp attenuation slope
- Characteristic impedance: 50ohm
- Operating / Storage temp: -40°C – +100°C
- Low profile
- Rugged construction
- Taped and reeled
- Power handling: 8W

#### APPLICATIONS

- Mobile communications
- Satellite TV receivers
- GPS
- Vehicle location systems
- Wireless LAN's

#### HOW TO ORDER



#### FINAL QUALITY INSPECTION

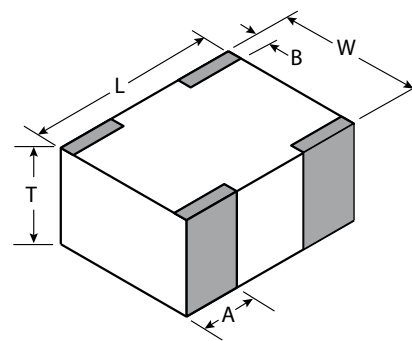
Finished parts are 100% tested for electrical parameters and visual/mechanical characteristics. Each production lot is evaluated on a sample basis for:

- Static Humidity: 85°C, 85% RH, 160 hours
- Endurance: 125°C, I<sub>R</sub>, 4 hours

#### TERMINATION

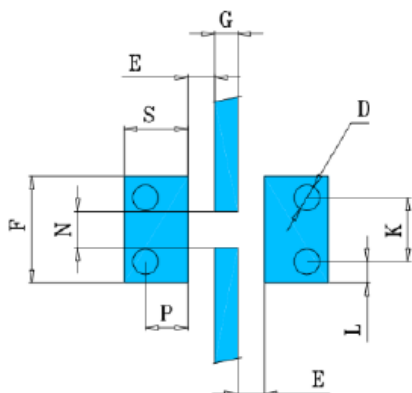
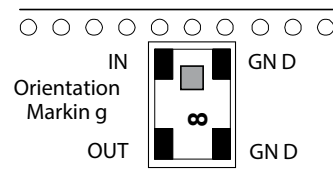
Nickel/ Lead free Solder coating (Sn100) compatible with automatic soldering technologies: reflow, wave soldering, vapor phase and manual.

#### DIMENSIONS (TOP VIEW)



mm (inches)	
L	2.03±0.10 (0.080±0.004)
W	1.55±0.10 (0.061±0.004)
T	0.80±0.10 (0.031±0.004)
A	0.56±0.25 (0.022±0.010)
B	0.35±0.15 (0.014±0.006)

#### TERMINALS AND LAYOUT (TOP VIEW)



Dimensions: millimeters

G	0.54
N	0.85
E	0.63
S	1.5
F	2.5
K	1.5
P	1.0
L	0.5
D	∅0.6

\*The recommended distance to the PCB Ground Plane is 0.254mm (0.010")

\*\* PCB: Taconic Orcer RF-35P

# Thin-Film RF/Microwave Filters

## Low Pass 0805 High Performance SMD 8W

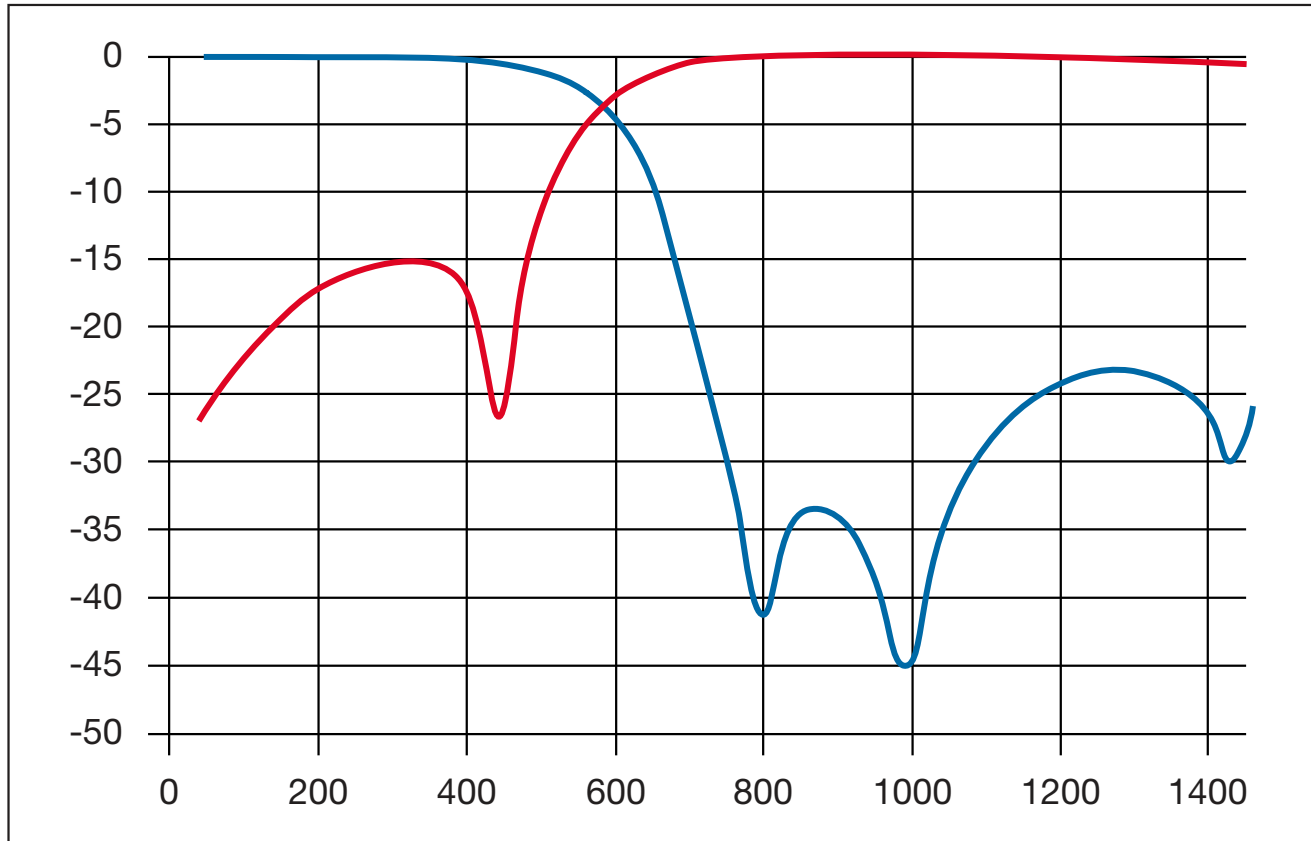
### LP0805H0470ASTR – SMD Termination



#### ELECTRICAL CHARACTERISTICS

P/N	Frequency	I.Loss @ 470MHz	R.Loss @ 470MHz	Attenuation
LP0805H0470ASTR	470MHz	-0.7dB max.	-15dB	-28dB at 940MHz -20dB at 1410MHz

#### TYPICAL ELECTRICAL PERFORMANCE





# Thin-Film RF/Microwave Filters

## Low Pass 0805 High Performance SMD 8W

### LP0805H0512ASTR – SMD Termination



#### ITF TECHNOLOGY

The ITF SMD Filter is based on thin-film multilayer technology. The technology provides a miniature part with excellent high frequency performance and rugged construction for reliable automatic assembly.

The ITF Filter is offered in a variety of frequency bands compatible with various types of high frequency wireless systems.

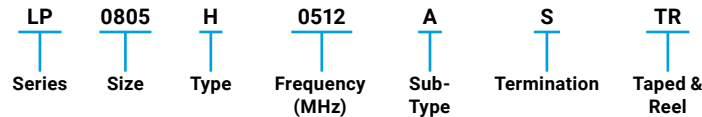
#### FEATURES

- Small size: 0805
- Frequency: 512MHz
- Sharp attenuation slope
- Characteristic impedance: 50ohm
- Operating / Storage temp: -40°C – +100°C
- Low profile
- Rugged construction
- Taped and reeled
- Power handling: 8W

#### APPLICATIONS

- Mobile communications
- Satellite TV receivers
- GPS
- Vehicle location systems
- Wireless LAN's

#### HOW TO ORDER



#### FINAL QUALITY INSPECTION

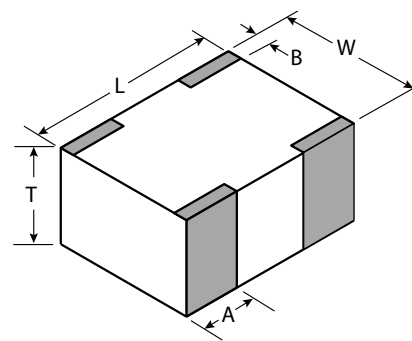
Finished parts are 100% tested for electrical parameters and visual/mechanical characteristics. Each production lot is evaluated on a sample basis for:

- Static Humidity: 85°C, 85% RH, 160 hours
- Endurance: 125°C, I<sub>R</sub>, 4 hours

#### TERMINATION

Nickel/ Lead free Solder coating (Sn100) compatible with automatic soldering technologies: reflow, wave soldering, vapor phase and manual.

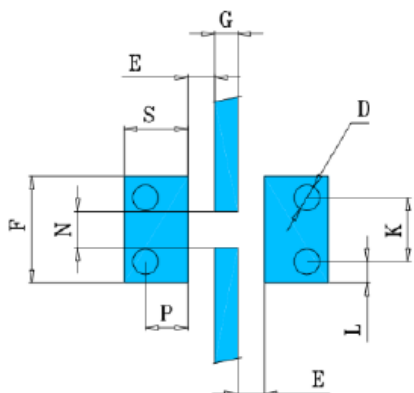
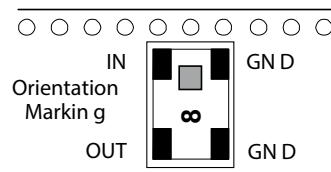
#### DIMENSIONS (TOP VIEW)



mm (inches)

L	2.03±0.10 (0.080±0.004)
W	1.55±0.10 (0.061±0.004)
T	0.80±0.10 (0.031±0.004)
A	0.56±0.25 (0.022±0.010)
B	0.35±0.15 (0.014±0.006)

#### TERMINALS AND LAYOUT (TOP VIEW)



Dimensions: millimeters

G	0.54
N	0.85
E	0.63
S	1.5
F	2.5
K	1.5
P	1.0
L	0.5
D	∅0.6

\*The recommended distance to the PCB Ground Plane is 0.254mm (0.010")

\*\* PCB: Taconic Orcer RF-35P

# Thin-Film RF/Microwave Filters

## Low Pass 0805 High Performance SMD 8W

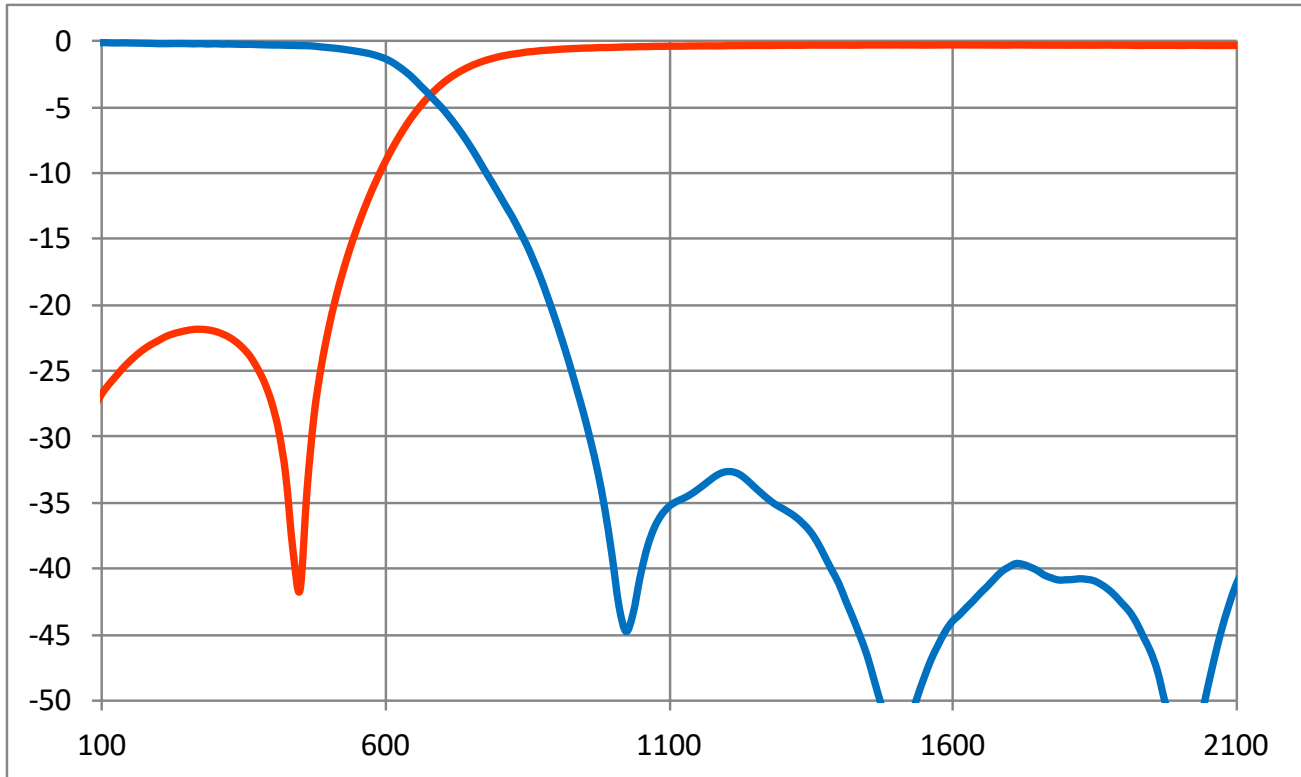
### LP0805H0512ASTR – SMD Termination



#### ELECTRICAL CHARACTERISTICS

P/N	Frequency	I.Loss @ 512MHz	R.Loss @ 512MHz	Attenuation
LP0805H0512ASTR	512MHz	-0.75dB max.	-12dB	-35dB at 1024MHz -40dB at 1536MHz

#### TYPICAL ELECTRICAL PERFORMANCE



# Thin-Film RF/Microwave Filters

## Low Pass 0805 High Performance SMD 8W

### LP0805H0700ASTR – SMD Termination



#### ITF TECHNOLOGY

The ITF SMD Filter is based on thin-film multilayer technology. The technology provides a miniature part with excellent high frequency performance and rugged construction for reliable automatic assembly.

The ITF Filter is offered in a variety of frequency bands compatible with various types of high frequency wireless systems.

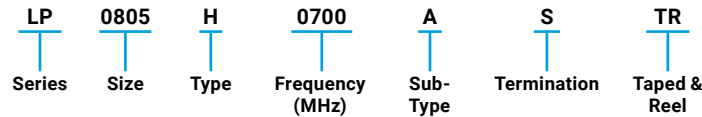
#### FEATURES

- Small size: 0805
- Frequency: 700MHz
- Sharp attenuation slope
- Characteristic impedance: 50ohm
- Operating / Storage temp: -40°C – +100°C
- Low profile
- Rugged construction
- Taped and reeled
- Power handling: 8W

#### APPLICATIONS

- Mobile communications
- Satellite TV receivers
- GPS
- Vehicle location systems
- Wireless LAN's

#### HOW TO ORDER



#### FINAL QUALITY INSPECTION

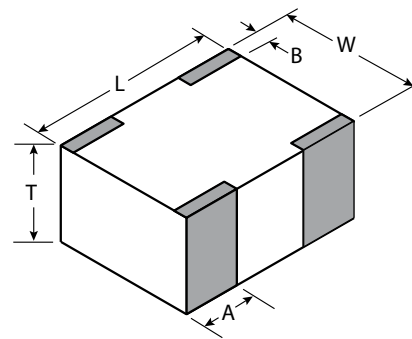
Finished parts are 100% tested for electrical parameters and visual/mechanical characteristics. Each production lot is evaluated on a sample basis for:

- Static Humidity: 85°C, 85% RH, 160 hours
- Endurance: 125°C, I<sub>R</sub>, 4 hours

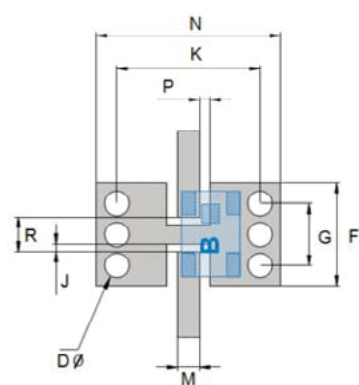
#### TERMINATION

Nickel/ Lead free Solder coating (Sn100) compatible with automatic soldering technologies: reflow, wave soldering, vapor phase and manual.

#### DIMENSIONS (TOP VIEW)

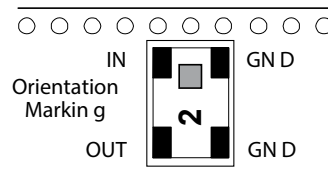


mm (inches)	
L	2.03±0.10 (0.080±0.004)
W	1.55±0.10 (0.061±0.004)
T	0.80±0.10 (0.031±0.004)
A	0.56±0.25 (0.022±0.010)
B	0.35±0.15 (0.014±0.006)



F	2.50±0.05 (0.098±0.002)
G	1.50±0.05 (0.059±0.002)
J	0.19±0.05 (0.007±0.002)
K	3.48±0.05 (0.137±0.002)
M	0.54±0.25 (0.021±0.010)
N	4.48±0.05 (0.776±0.002)
P	0.25±0.05 (0.010±0.002)
R	0.85±0.05 (0.033±0.002)
D	0.60±0.05 (0.024±0.002)

#### TERMINALS AND LAYOUT (TOP VIEW)



\*The recommended distance to the PCB Ground Plane is 0.254mm (0.010")

\*\* PCB: Taconic Orcer RF-35P

# Thin-Film RF/Microwave Filters

## Low Pass 0805 High Performance SMD 8W

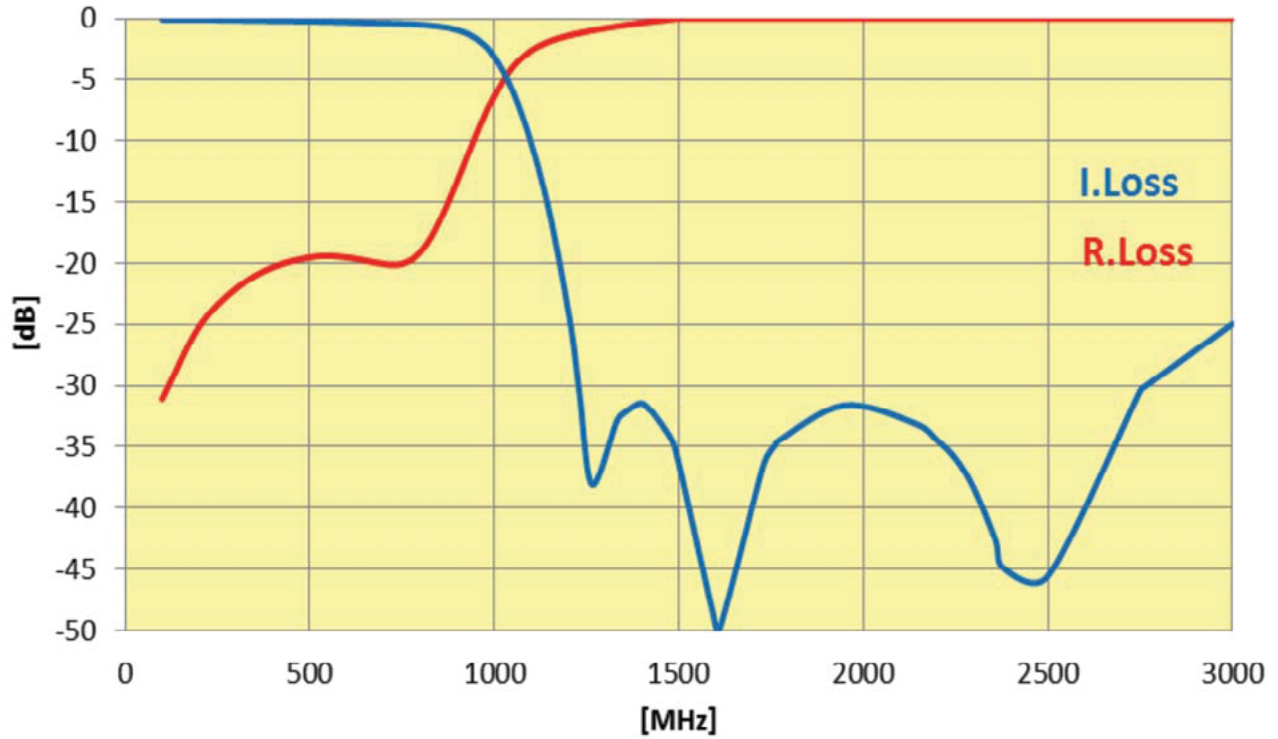
### LP0805H0700ASTR – SMD Termination



#### ELECTRICAL CHARACTERISTICS

P/N	Frequency	I.Loss @ 700MHz	R.Loss @ 700MHz	Attenuation
LP0805H0700ASTR	700MHz	-0.4dB max.	-20dB	-35dB at 1400MHz -30dB at 2100MHz -30dB at 2800MHz

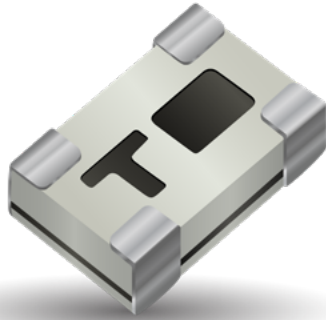
#### TYPICAL ELECTRICAL PERFORMANCE



# Thin-Film RF/Microwave Filters

## Low Pass 0805 High Performance SMD 8W

### LP0805H0750ASTR – SMD Termination



#### ITF TECHNOLOGY

The ITF SMD Filter is based on thin-film multilayer technology. The technology provides a miniature part with excellent high frequency performance and rugged construction for reliable automatic assembly.

The ITF Filter is offered in a variety of frequency bands compatible with various types of high frequency wireless systems.

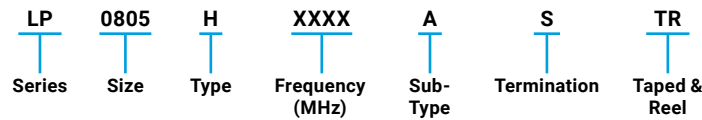
#### FEATURES

- Small size: 0805
- Characteristic impedance: 50Ω
- Frequency band: Band 13 746-756MHz
- Operating / Storage temp: -40°C – +85°C
- Low profile
- Rugged construction
- Taped and reeled
- RoHS compliant

#### APPLICATIONS

- Mobile communications
- Satellite TV receivers
- GPS
- Vehicle location systems
- Wireless LAN's

#### HOW TO ORDER



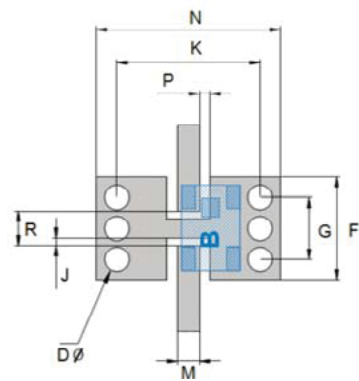
#### FINAL QUALITY INSPECTION

Finished parts are 100% tested for electrical parameters and visual/mechanical characteristics. Each production lot is evaluated on a sample basis for:

- Static Humidity: 85°C, 85% RH, 160 hours
- Endurance: 125°C, I<sub>r</sub>, 4 hours

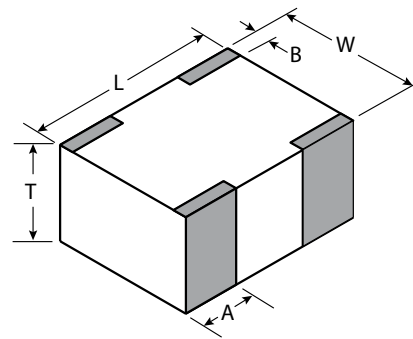
#### TERMINATION

Nickel/ Lead free Solder coating (Sn100) compatible with automatic soldering technologies: reflow, wave soldering, vapor phase and manual.



F	2.50±0.05 (0.098±0.002)
G	1.50±0.05 (0.059±0.002)
J	0.19±0.05 (0.007±0.002)
K	3.48±0.05 (0.137±0.002)
M	0.54±0.25 (0.021±0.010)
N	4.48±0.05 (0.776±0.002)
P	0.25±0.05 (0.010±0.002)
R	0.85±0.05 (0.033±0.002)
D	0.60±0.05 (0.024±0.002)

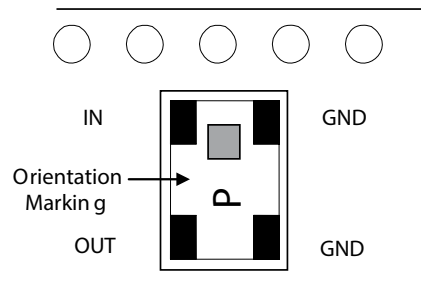
#### DIMENSIONS (TOP VIEW)



mm (inches)

L	2.03±0.10 (0.080±0.004)
W	1.55±0.10 (0.061±0.004)
T	0.80±0.25 (0.031±0.010)
A	0.56±0.10 (0.022±0.004)
B	0.35±0.15 (0.014±0.006)

#### TERMINALS AND LAYOUT (TOP VIEW)



\*The recommended distance to the PCB Ground Plane is 0.254mm (0.010")

\*\* PCB: Taconic Orcer RF-35P

# Thin-Film RF/Microwave Filters

## Low Pass 0805 High Performance SMD 8W

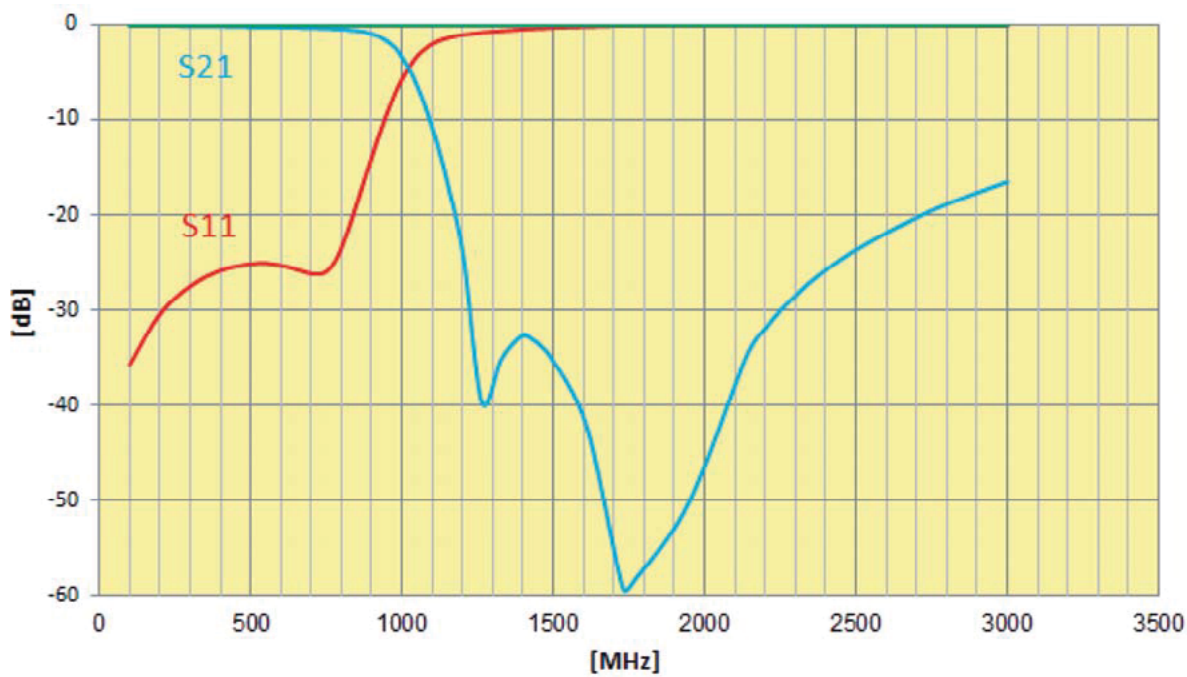
### LP0805H0750ASTR – SMD Termination



#### ELECTRICAL CHARACTERISTICS

Part Number	Frequency (MHz)	I.Loss max	VSWR max.	Attenuation (dB)
LP0805H0750ASTR	Band 13 DL (746-756MHz)	-0.4dB	1.7	2d Harmonic 1492-1512MHz: -37dB 3d Harmonic 2238-2268MHz: -33dB

#### TYPICAL ELECTRICAL PERFORMANCE



# Thin-Film RF/Microwave Filters

## Low Pass 0805 High Performance SMD 8W

### LP0805H0780ASTR – SMD Termination



#### ITF TECHNOLOGY

The ITF SMD Filter is based on thin-film multilayer technology. The technology provides a miniature part with excellent high frequency performance and rugged construction for reliable automatic assembly.

The ITF Filter is offered in a variety of frequency bands compatible with various types of high frequency wireless systems.

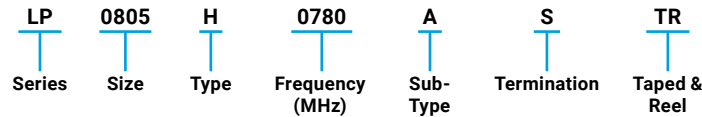
#### FEATURES

- Small size: 0805
- Frequency: 780MHz
- Sharp attenuation slope
- Characteristic impedance: 50ohm
- Operating / Storage temp: -40°C – +100°C
- Low profile
- Rugged construction
- Taped and reeled
- Power handling: 8W

#### APPLICATIONS

- Mobile communications
- Satellite TV receivers
- GPS
- Vehicle location systems
- Wireless LAN's

#### HOW TO ORDER



#### FINAL QUALITY INSPECTION

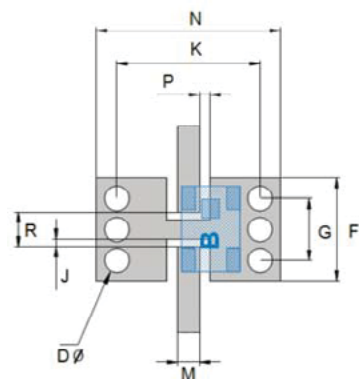
Finished parts are 100% tested for electrical parameters and visual/mechanical characteristics. Each production lot is evaluated on a sample basis for:

- Static Humidity: 85°C, 85% RH, 160 hours
- Endurance: 125°C, I<sub>R</sub>, 4 hours

#### TERMINATION

Nickel/ Lead free Solder coating (Sn100) compatible with automatic soldering technologies: reflow, wave soldering, vapor phase and manual.

#### RECOMMENDED PAD LAYOUT:

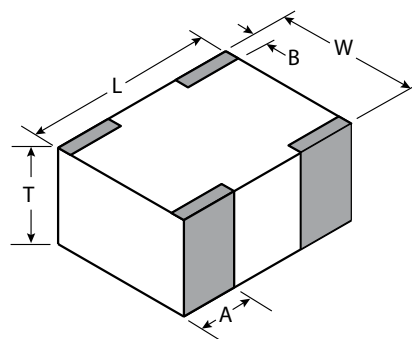


	mm (inches)
F	2.50±0.05 (0.098±0.002)
G	1.50±0.05 (0.059±0.002)
J	0.19±0.05 (0.007±0.002)
K	3.48±0.05 (0.137±0.002)
M	0.54±0.25 (0.021±0.010)
N	4.48±0.05 (0.776±0.002)
P	0.25±0.05 (0.010±0.002)
R	0.85±0.05 (0.033±0.002)
D	0.60±0.05 (0.024±0.002)

\*The recommended distance to the PCB Ground Plane is 0.254mm (0.010")

\*\* PCB: Taconic Orcer RF-35P

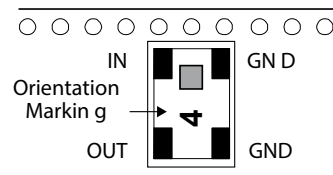
#### DIMENSIONS (TOP VIEW)



#### mm (inches)

L	2.03±0.10 (0.080±0.004)
W	1.55±0.10 (0.061±0.004)
T	0.80±0.10 (0.031±0.004)
A	0.56±0.25 (0.022±0.010)
B	0.35±0.15 (0.014±0.006)

#### TERMINALS AND LAYOUT (TOP VIEW)



# Thin-Film RF/Microwave Filters

## Low Pass 0805 High Performance SMD 8W

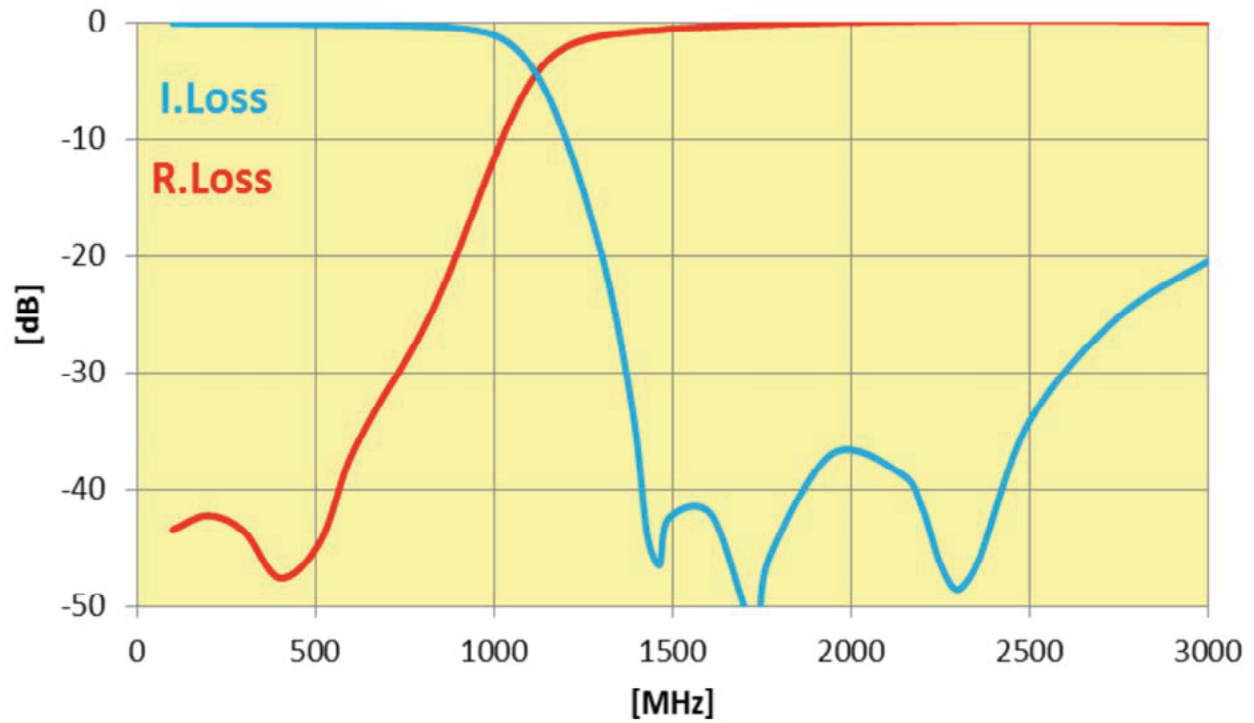
### LP0805H0780ASTR – SMD Termination



#### ELECTRICAL CHARACTERISTICS

P/N	I.Loss @ 780MHz	R.Loss @ 780MHz	Attenuation
LP0805H0780ASTR	-0.4dB max.	-20dB	-35dB at 1560MHz -40dB at 2340MHz -20dB at 3120MHz

#### TYPICAL ELECTRICAL PERFORMANCE





# Thin-Film RF/Microwave Filters

## Low Pass 0805 High Performance SMD 8W

### LP0805H0942ASTR – SMD Termination



#### ITF TECHNOLOGY

The ITF SMD Filter is based on thin-film multilayer technology. The technology provides a miniature part with excellent high frequency performance and rugged construction for reliable automatic assembly.

The ITF Filter is offered in a variety of frequency bands compatible with various types of high frequency wireless systems.

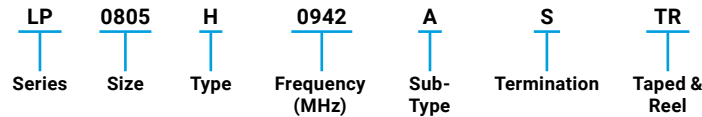
#### FEATURES

- Small size: 0805
- Frequency: 942MHz
- Sharp attenuation slope
- Characteristic impedance: 50ohm
- Operating / Storage temp: -40°C – +100°C
- Low profile
- Rugged construction
- Taped and reeled
- Power handling: 8W

#### APPLICATIONS

- Mobile communications
- Satellite TV receivers
- GPS
- Vehicle location systems
- Wireless LAN's

#### HOW TO ORDER



#### FINAL QUALITY INSPECTION

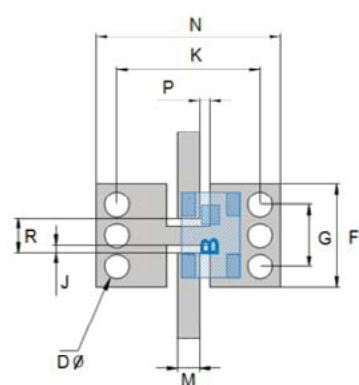
Finished parts are 100% tested for electrical parameters and visual/mechanical characteristics. Each production lot is evaluated on a sample basis for:

- Static Humidity: 85°C, 85% RH, 160 hours
- Endurance: 125°C, I<sub>R</sub>, 4 hours

#### TERMINATION

Nickel/ Lead free Solder coating (Sn100) compatible with automatic soldering technologies: reflow, wave soldering, vapor phase and manual.

#### RECOMMENDED PAD LAYOUT:

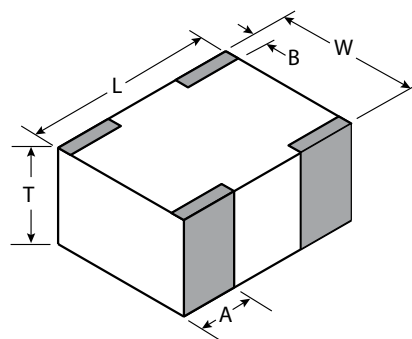


	mm (inches)
F	2.50±0.05 (0.098±0.002)
G	1.50±0.05 (0.059±0.002)
J	0.19±0.05 (0.007±0.002)
K	3.48±0.05 (0.137±0.002)
M	0.54±0.25 (0.021±0.010)
N	4.48±0.05 (0.776±0.002)
P	0.25±0.05 (0.010±0.002)
R	0.85±0.05 (0.033±0.002)
D	0.60±0.05 (0.024±0.002)

\*The recommended distance to the PCB Ground Plane is 0.254mm (0.010")

\*\* PCB: Taconic Orcer RF-35P

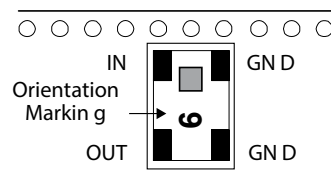
#### DIMENSIONS (TOP VIEW)



#### mm (inches)

L	2.03±0.10 (0.080±0.004)
W	1.55±0.10 (0.061±0.004)
T	0.80±0.10 (0.031±0.004)
A	0.56±0.25 (0.022±0.010)
B	0.35±0.15 (0.014±0.006)

#### TERMINALS AND LAYOUT (TOP VIEW)



# Thin-Film RF/Microwave Filters

## Low Pass 0805 High Performance SMD 8W

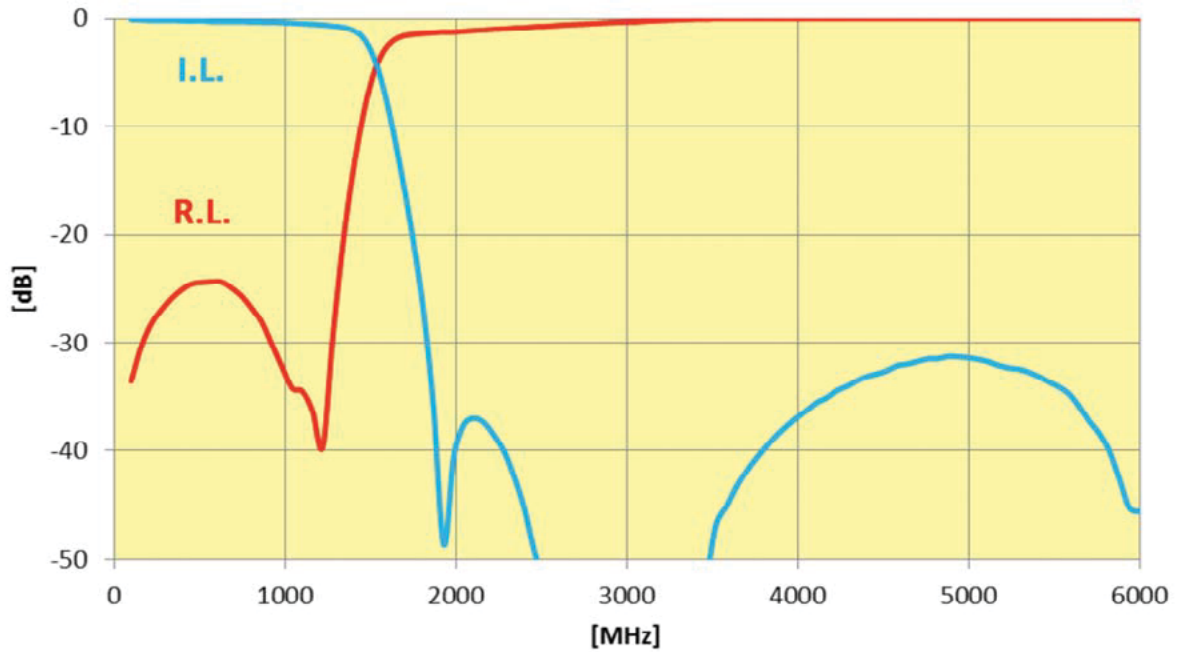
### LP0805H0942ASTR – SMD Termination



#### ELECTRICAL CHARACTERISTICS

P/N	I.Loss @ 942MHz	R.Loss @ 942MHz	Attenuation
LP0805H0942ASTR	-0.4dB max.	-20dB	-35dB at 1884MHz -40dB at 2826MHz -35dB at 3768MHz

#### TYPICAL ELECTRICAL PERFORMANCE



# Thin-Film RF/Microwave Filters

## Low Pass 0805 High Performance SMD 8W

### LP0805H1000ASTR – SMD Termination



#### ITF TECHNOLOGY

The ITF SMD Filter is based on thin-film multilayer technology. The technology provides a miniature part with excellent high frequency performance and rugged construction for reliable automatic assembly.

The ITF Filter is offered in a variety of frequency bands compatible with various types of high frequency wireless systems.

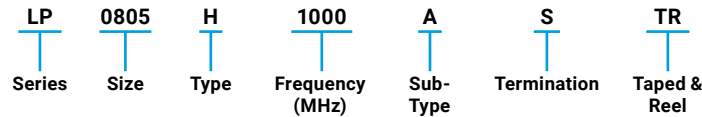
#### FEATURES

- Small size: 0805
- Frequency: 1000MHz
- Sharp attenuation slope
- Characteristic impedance: 50ohm
- Operating / Storage temp: -40°C – +100°C
- Low profile
- Rugged construction
- Taped and reeled
- Power handling: 8W

#### APPLICATIONS

- Mobile communications
- Satellite TV receivers
- GPS
- Vehicle location systems
- Wireless LAN's

#### HOW TO ORDER



#### FINAL QUALITY INSPECTION

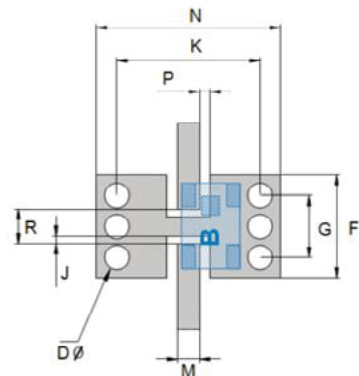
Finished parts are 100% tested for electrical parameters and visual/mechanical characteristics. Each production lot is evaluated on a sample basis for:

- Static Humidity: 85°C, 85% RH, 160 hours
- Endurance: 125°C, I<sub>R</sub>, 4 hours

#### TERMINATION

Nickel/ Lead free Solder coating (Sn100) compatible with automatic soldering technologies: reflow, wave soldering, vapor phase and manual.

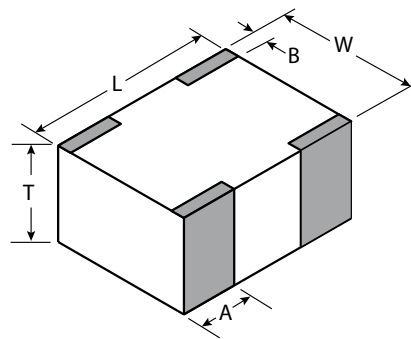
#### RECOMMENDED PAD LAYOUT:



	mm (inches)
F	2.50±0.05 (0.098±0.002)
G	1.50±0.05 (0.059±0.002)
J	0.19±0.05 (0.007±0.002)
K	3.48±0.05 (0.137±0.002)
M	0.54±0.25 (0.021±0.010)
N	4.48±0.05 (0.776±0.002)
P	0.25±0.05 (0.010±0.002)
R	0.85±0.05 (0.033±0.002)
D	0.60±0.05 (0.024±0.002)

\*The recommended distance to the PCB Ground Plane is 0.254mm (0.010")  
 \*\* PCB: Taconic Orcer RF-35P

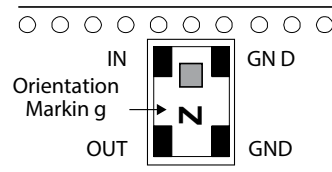
#### DIMENSIONS (TOP VIEW)



#### mm (inches)

L	2.03±0.10 (0.080±0.004)
W	1.55±0.10 (0.061±0.004)
T	0.80±0.10 (0.031±0.004)
A	0.56±0.25 (0.022±0.010)
B	0.35±0.15 (0.014±0.006)

#### TERMINAL AND LAYOUT (TOP VIEW)



# Thin-Film RF/Microwave Filters

## Low Pass 0805 High Performance SMD 8W

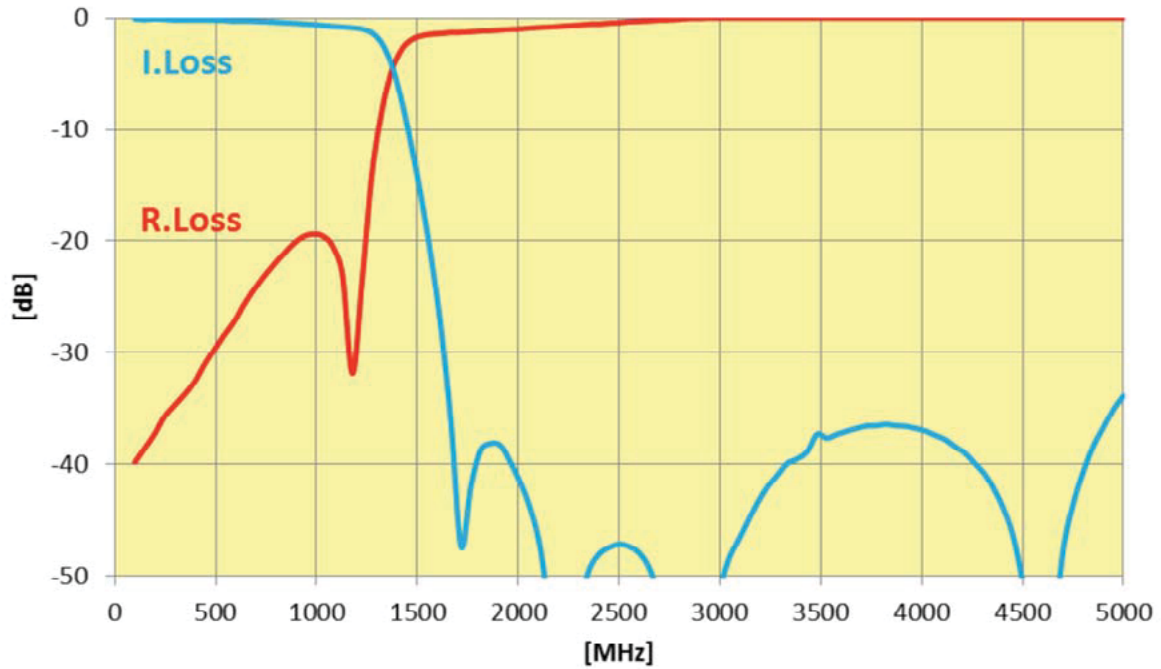
### LP0805H1000ASTR – SMD Termination



#### ELECTRICAL CHARACTERISTICS

P/N	I.Loss @ 1000MHz	R.Loss @ 1000MHz	Attenuation
LP0805H1000ASTR	-0.7dB max.	-20dB	-35dB at 2000MHz -40dB at 3000MHz -35dB at 4000MHz -30dB at 5000MHz

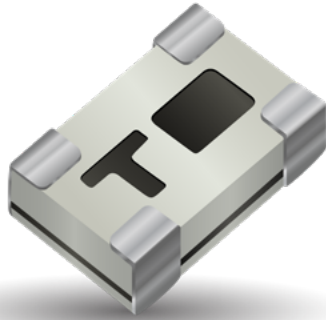
#### TYPICAL ELECTRICAL PERFORMANCE



# Thin-Film RF/Microwave Filters

## Low Pass 0805 High Performance SMD 8W

### LP0805H1250ASTR – SMD Termination



#### ITF TECHNOLOGY

The ITF SMD Filter is based on thin-film multilayer technology. The technology provides a miniature part with excellent high frequency performance and rugged construction for reliable automatic assembly.

The ITF Filter is offered in a variety of frequency bands compatible with various types of high frequency wireless systems.

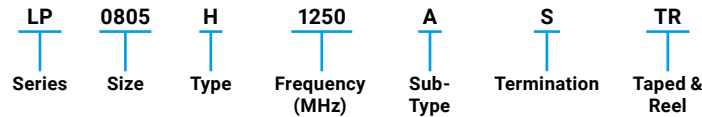
#### FEATURES

- Small size: 0805
- Frequency: 1250MHz
- Sharp attenuation slope
- Characteristic impedance: 50ohm
- Operating / Storage temp: -40°C – +100°C
- Low profile
- Rugged construction
- Taped and reeled
- Power handling: 8W

#### APPLICATIONS

- Mobile communications
- Satellite TV receivers
- GPS
- Vehicle location systems
- Wireless LAN's

#### HOW TO ORDER



#### FINAL QUALITY INSPECTION

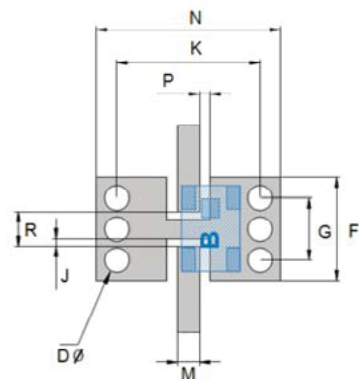
Finished parts are 100% tested for electrical parameters and visual/mechanical characteristics. Each production lot is evaluated on a sample basis for:

- Static Humidity: 85°C, 85% RH, 160 hours
- Endurance: 125°C, I<sub>R</sub>, 4 hours

#### TERMINATION

Nickel/ Lead free Solder coating (Sn100) compatible with automatic soldering technologies: reflow, wave soldering, vapor phase and manual.

#### RECOMMENDED PAD LAYOUT:

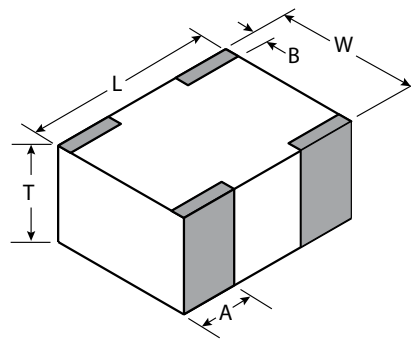


	mm (inches)
F	2.50±0.05 (0.098±0.002)
G	1.50±0.05 (0.059±0.002)
J	0.19±0.05 (0.007±0.002)
K	3.48±0.05 (0.137±0.002)
M	0.54±0.25 (0.021±0.010)
N	4.48±0.05 (0.776±0.002)
P	0.25±0.05 (0.010±0.002)
R	0.85±0.05 (0.033±0.002)
D	0.60±0.05 (0.024±0.002)

\*The recommended distance to the PCB Ground Plane is 0.254mm (0.010")

\*\* PCB: Taconic Orcer RF-35P

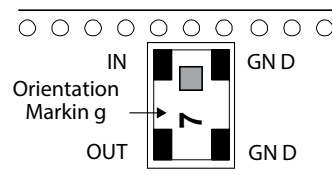
#### DIMENSIONS (TOP VIEW)



#### mm (inches)

L	2.03±0.10 (0.080±0.004)
W	1.55±0.10 (0.061±0.004)
T	0.80±0.10 (0.031±0.004)
A	0.56±0.25 (0.022±0.010)
B	0.35±0.15 (0.014±0.006)

#### TERMINAL AND LAYOUT (TOP VIEW)



# Thin-Film RF/Microwave Filters

## Low Pass 0805 High Performance SMD 8W

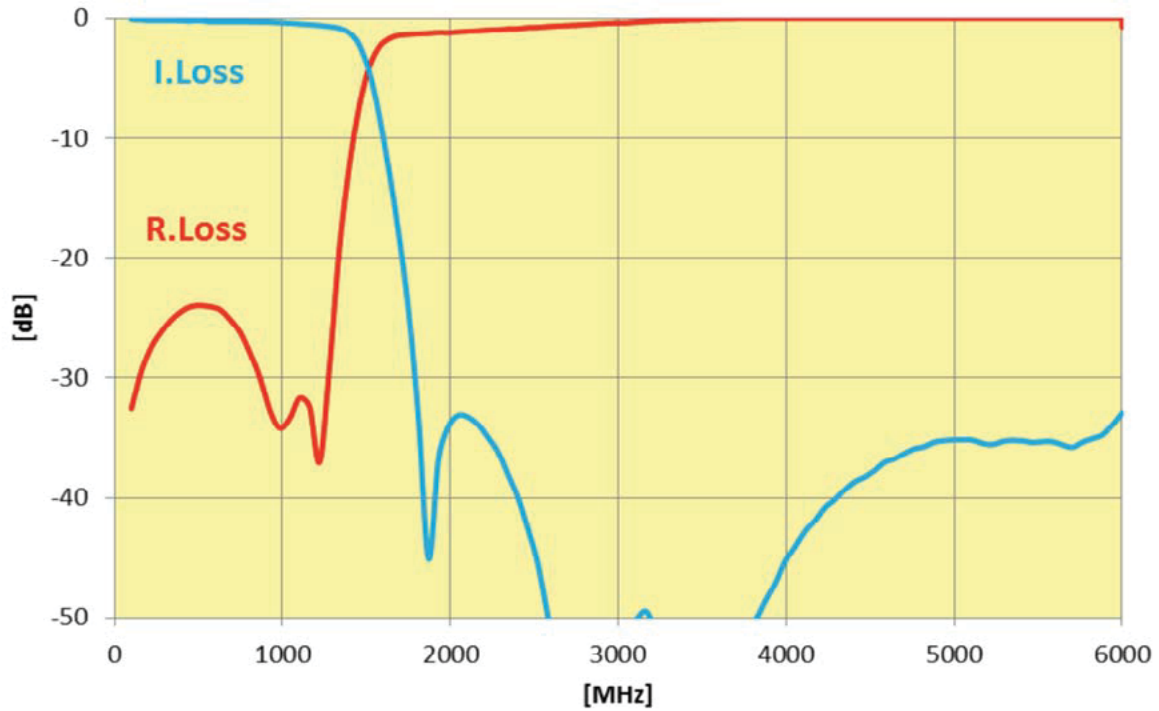
### LP0805H1250ASTR – SMD Termination



#### ELECTRICAL CHARACTERISTICS

P/N	I.Loss @1250MHz	R.Loss @ 1250MHz	Attenuation
LP0805H1250ASTR	-0.7dB max.	-25dB	-20dB at 1750MHz -35dB at 2500MHz -40dB at 3750MHz -30dB at 5000MHz

#### TYPICAL ELECTRICAL PERFORMANCE



# Thin-Film RF/Microwave Filters

## Low Pass 0805 High Performance SMD 8W

### LP0805H1800ASTR – SMD Termination



#### ITF TECHNOLOGY

The ITF SMD Filter is based on thin-film multilayer technology. The technology provides a miniature part with excellent high frequency performance and rugged construction for reliable automatic assembly.

The ITF Filter is offered in a variety of frequency bands compatible with various types of high frequency wireless systems.

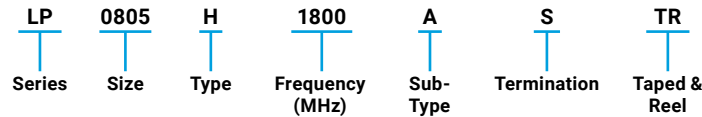
#### FEATURES

- Small size: 0805
- Frequency: 1800MHz
- Sharp attenuation slope
- Characteristic impedance: 50ohm
- Operating / Storage temp: -40°C – +100°C
- Low profile
- Rugged construction
- Taped and reeled
- Power handling: 8W

#### APPLICATIONS

- Mobile communications
- Satellite TV receivers
- GPS
- Vehicle location systems
- Wireless LAN's

#### HOW TO ORDER



#### FINAL QUALITY INSPECTION

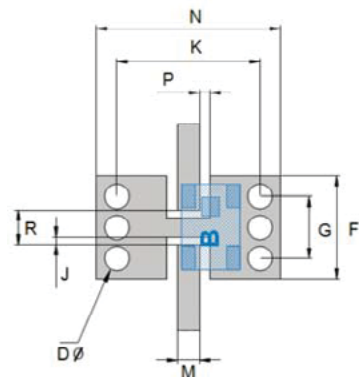
Finished parts are 100% tested for electrical parameters and visual/mechanical characteristics. Each production lot is evaluated on a sample basis for:

- Static Humidity: 85°C, 85% RH, 160 hours
- Endurance: 125°C, I<sub>R</sub>, 4 hours

#### TERMINATION

Nickel/ Lead free Solder coating (Sn100) compatible with automatic soldering technologies: reflow, wave soldering, vapor phase and manual.

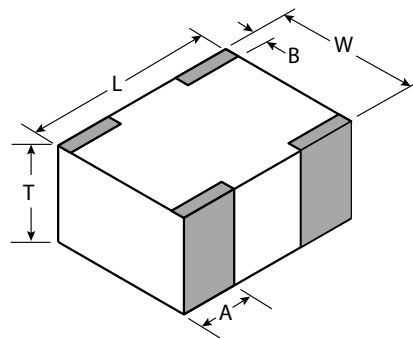
#### RECOMMENDED PAD LAYOUT:



	mm (inches)
F	2.50±0.05 (0.098±0.002)
G	1.50±0.05 (0.059±0.002)
J	0.19±0.05 (0.007±0.002)
K	3.48±0.05 (0.137±0.002)
M	0.54±0.25 (0.021±0.010)
N	4.48±0.05 (0.776±0.002)
P	0.25±0.05 (0.010±0.002)
R	0.85±0.05 (0.033±0.002)
D	0.60±0.05 (0.024±0.002)

\*The recommended distance to the PCB Ground Plane is 0.254mm (0.010")  
 \*\* PCB: Taconic Orcer RF-35P

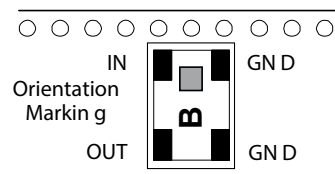
#### DIMENSIONS (TOP VIEW)



#### mm (inches)

L	2.03±0.10 (0.080±0.004)
W	1.55±0.10 (0.061±0.004)
T	0.80±0.10 (0.031±0.004)
A	0.56±0.25 (0.022±0.010)
B	0.35±0.15 (0.014±0.006)

#### TERMINAL AND LAYOUT (TOP VIEW)



# Thin-Film RF/Microwave Filters

## Low Pass 0805 High Performance SMD 8W

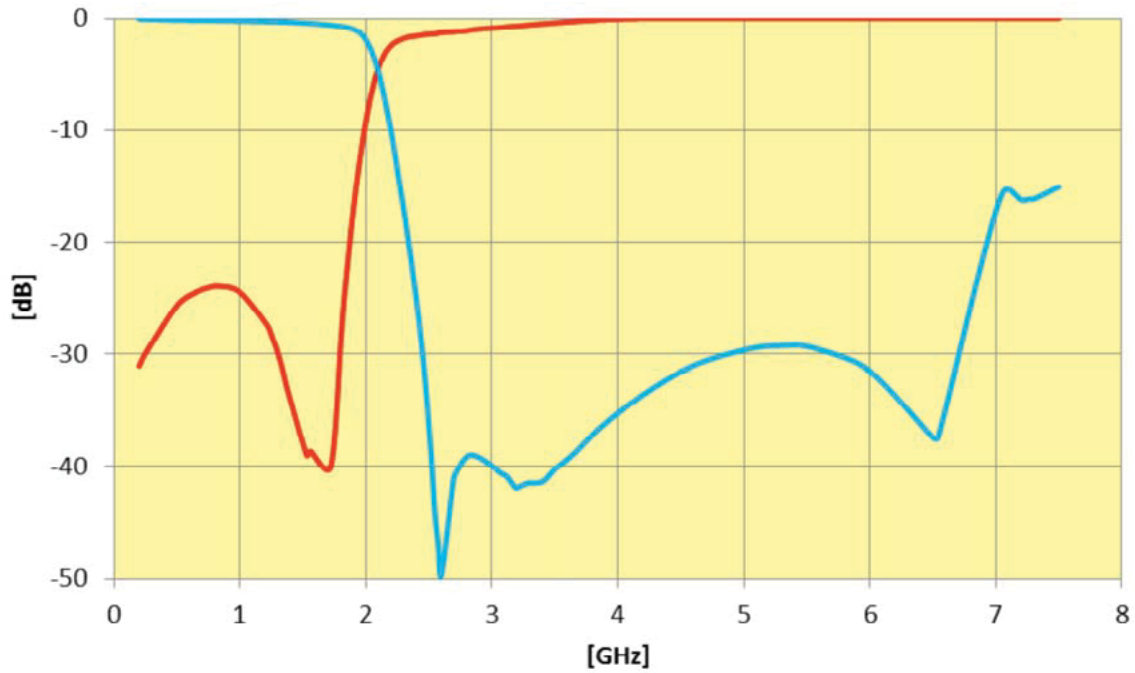
### LP0805H1800ASTR – SMD Termination



#### ELECTRICAL CHARACTERISTICS

P/N	Frequency	I.Loss @1800MHz	R.Loss @ 1800MHz	Attenuation
LP0805H1800ASTR	1800MHz	-0.8dB max.	-25dB	-35dB at 2520MHz -35dB at 3600MHz -25dB at 5400MHz

#### TYPICAL ELECTRICAL PERFORMANCE





# Thin-Film RF/Microwave Filters

## Low Pass 0805 High Performance SMD 8W

### LP0805H1900ASTR – SMD Termination



#### ITF TECHNOLOGY

The ITF SMD Filter is based on thin-film multilayer technology. The technology provides a miniature part with excellent high frequency performance and rugged construction for reliable automatic assembly.

The ITF Filter is offered in a variety of frequency bands compatible with various types of high frequency wireless systems.

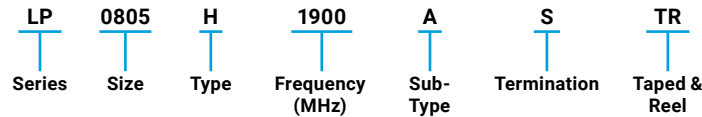
#### FEATURES

- Small size: 0805
- Frequency: 1900MHz
- Sharp attenuation slope
- Characteristic impedance: 50ohm
- Operating / Storage temp: -40°C – +100°C
- Low profile
- Rugged construction
- Taped and reeled
- Power handling: 8W

#### APPLICATIONS

- Mobile communications
- Satellite TV receivers
- GPS
- Vehicle location systems
- Wireless LAN's

#### HOW TO ORDER



#### FINAL QUALITY INSPECTION

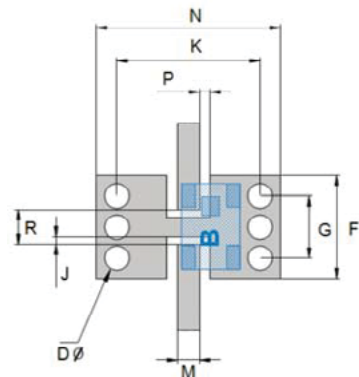
Finished parts are 100% tested for electrical parameters and visual/mechanical characteristics. Each production lot is evaluated on a sample basis for:

- Static Humidity: 85°C, 85% RH, 160 hours
- Endurance: 125°C, I<sub>R</sub>, 4 hours

#### TERMINATION

Nickel/ Lead free Solder coating (Sn100) compatible with automatic soldering technologies: reflow, wave soldering, vapor phase and manual.

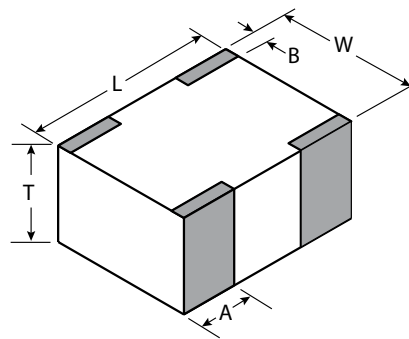
#### RECOMMENDED PAD LAYOUT:



	mm (inches)
F	2.50±0.05 (0.098±0.002)
G	1.50±0.05 (0.059±0.002)
J	0.19±0.05 (0.007±0.002)
K	3.48±0.05 (0.137±0.002)
M	0.54±0.25 (0.021±0.010)
N	4.48±0.05 (0.776±0.002)
P	0.25±0.05 (0.010±0.002)
R	0.85±0.05 (0.033±0.002)
D	0.60±0.05 (0.024±0.002)

\*The recommended distance to the PCB Ground Plane is 0.254mm (0.010")  
 \*\* PCB: Taconic Orcer RF-35P

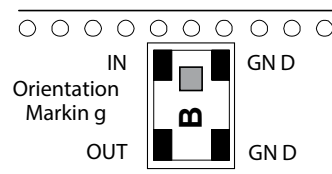
#### DIMENSIONS (TOP VIEW)



#### mm (inches)

L	2.03±0.10 (0.080±0.004)
W	1.55±0.10 (0.061±0.004)
T	0.80±0.10 (0.031±0.004)
A	0.56±0.25 (0.022±0.010)
B	0.35±0.15 (0.014±0.006)

#### TERMINAL AND LAYOUT (TOP VIEW)



# Thin-Film RF/Microwave Filters

## Low Pass 0805 High Performance SMD 8W

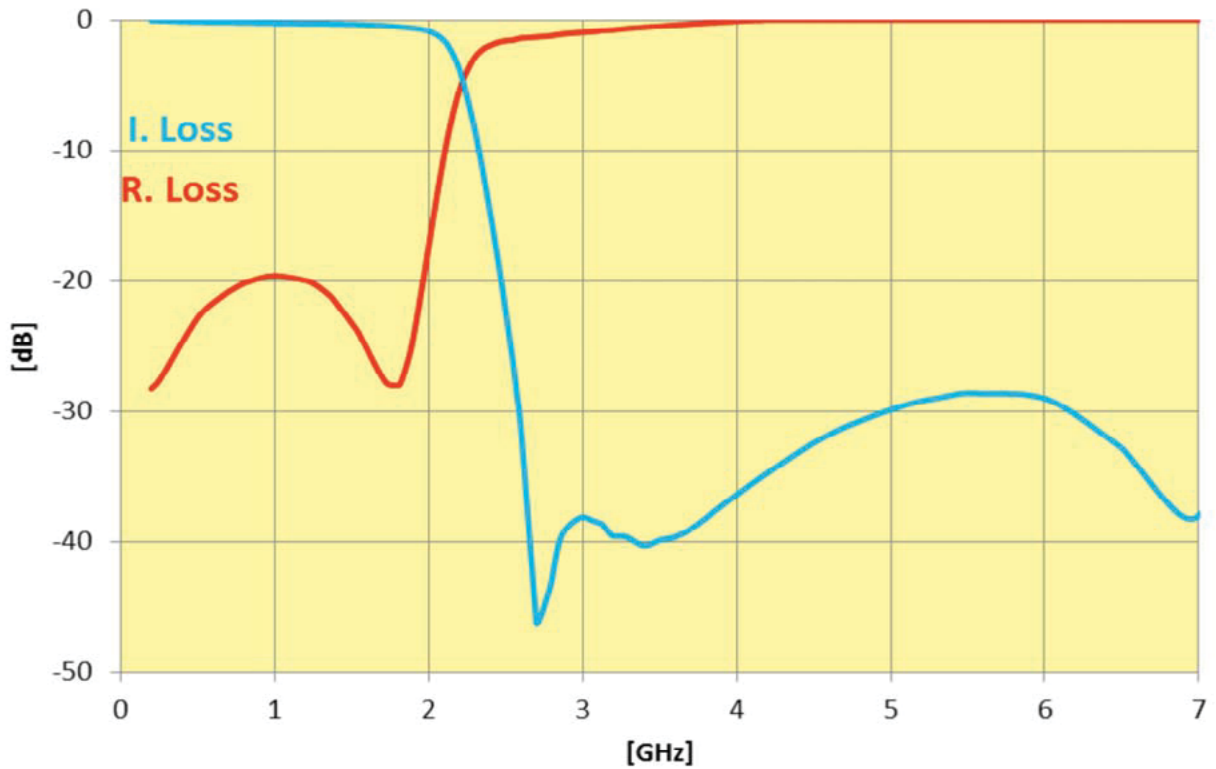
### LP0805H1900ASTR – SMD Termination



#### ELECTRICAL CHARACTERISTICS

P/N	Frequency	I.Loss @1900MHz	R.Loss @ 1900MHz	Attenuation
LP0805H1900ASTR	1900MHz	-0.75dB max.	-20dB	-35dB at 2660MHz -35dB at 3800MHz -25dB at 5700MHz

#### TYPICAL ELECTRICAL PERFORMANCE



# Thin-Film RF/Microwave Filters

## Low Pass 0805 High Performance SMD 8W

### LP0805H2400ASTR – SMD Termination



#### ITF TECHNOLOGY

The ITF SMD Filter is based on thin-film multilayer technology. The technology provides a miniature part with excellent high frequency performance and rugged construction for reliable automatic assembly.

The ITF Filter is offered in a variety of frequency bands compatible with various types of high frequency wireless systems.

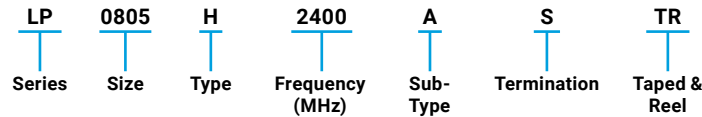
#### FEATURES

- Small size: 0805
- Frequency: 2400MHz
- Sharp attenuation slope
- Characteristic impedance: 50ohm
- Operating / Storage temp: -40°C – +100°C
- Low profile
- Rugged construction
- Taped and reeled
- Power handling: 8W

#### APPLICATIONS

- Mobile communications
- Satellite TV receivers
- GPS
- Vehicle location systems
- Wireless LAN's

#### HOW TO ORDER



#### FINAL QUALITY INSPECTION

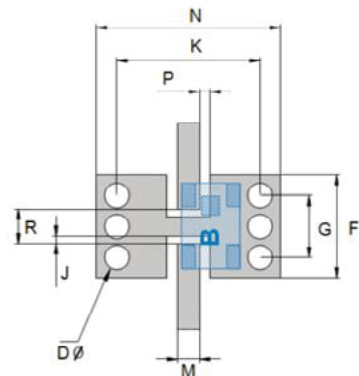
Finished parts are 100% tested for electrical parameters and visual/mechanical characteristics. Each production lot is evaluated on a sample basis for:

- Static Humidity: 85°C, 85% RH, 160 hours
- Endurance: 125°C, I<sub>R</sub>, 4 hours

#### TERMINATION

Nickel/ Lead free Solder coating (Sn100) compatible with automatic soldering technologies: reflow, wave soldering, vapor phase and manual.

#### RECOMMENDED PAD LAYOUT:



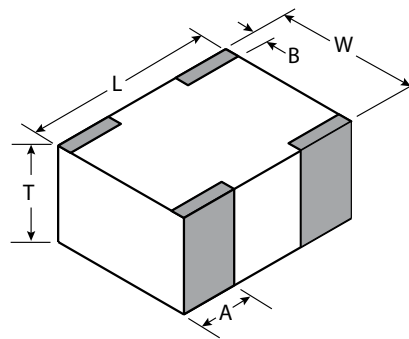
mm (inches)

F	2.50±0.05 (0.098±0.002)
G	1.50±0.05 (0.059±0.002)
J	0.19±0.05 (0.007±0.002)
K	3.48±0.05 (0.137±0.002)
M	0.54±0.25 (0.021±0.010)
N	4.48±0.05 (0.776±0.002)
P	0.25±0.05 (0.010±0.002)
R	0.85±0.05 (0.033±0.002)
D	0.60±0.05 (0.024±0.002)

\*The recommended distance to the PCB Ground Plane is 0.254mm (0.010")

\*\* PCB: Taconic Orcer RF-35P

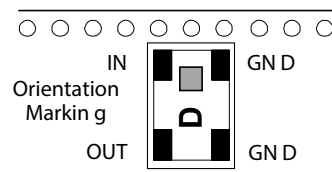
#### DIMENSIONS (TOP VIEW)



mm (inches)

L	2.03±0.10 (0.080±0.004)
W	1.55±0.10 (0.061±0.004)
T	0.80±0.10 (0.031±0.004)
A	0.56±0.25 (0.022±0.010)
B	0.35±0.15 (0.014±0.006)

#### TERMINAL AND LAYOUT (TOP VIEW)



# Thin-Film RF/Microwave Filters

## Low Pass 0805 High Performance SMD 8W

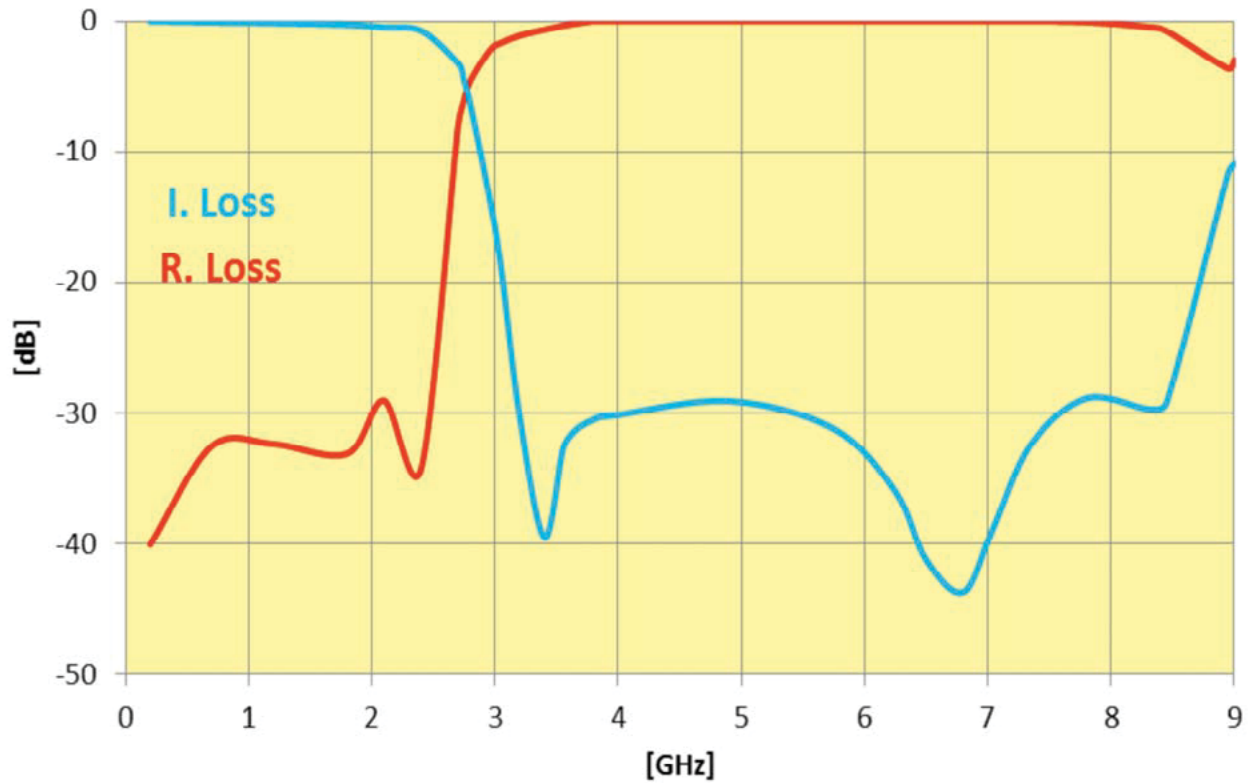
### LP0805H2400ASTR – SMD Termination



#### ELECTRICAL CHARACTERISTICS

P/N	Frequency	I.Loss @2500MHz	R.Loss @ 2500MHz	Attenuation
LP0805H2400ASTR	2400MHz	-0.9dB max.	-30dB	-30dB at 3360MHz -25dB at 4800MHz -30dB at 7200MHz

#### TYPICAL ELECTRICAL PERFORMANCE



# Thin-Film RF/Microwave Filters

## Low Pass 0805 High Performance Low Pass Filter

### LP0805H2500ASTR – SMD Termination



#### ITF TECHNOLOGY

The ITF SMD Filter is based on thin-film multilayer technology. The technology provides a miniature part with excellent high frequency performance and rugged construction for reliable automatic assembly.

The ITF Filter is offered in a variety of frequency bands compatible with various types of high frequency wireless systems.

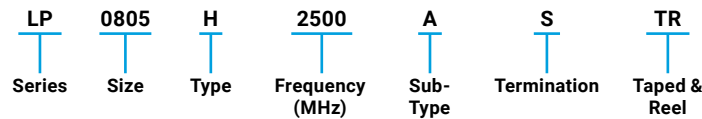
#### FEATURES

- Small size: 0805
- Frequency: 2500MHz
- Sharp attenuation slope
- Characteristic impedance: 50ohm
- Operating / Storage temp: -40°C – +100°C
- Low profile
- Rugged construction
- Taped and reeled
- Power handling: 8W

#### APPLICATIONS

- Mobile communications
- Satellite TV receivers
- GPS
- Vehicle location systems
- Wireless LAN's

#### HOW TO ORDER



#### FINAL QUALITY INSPECTION

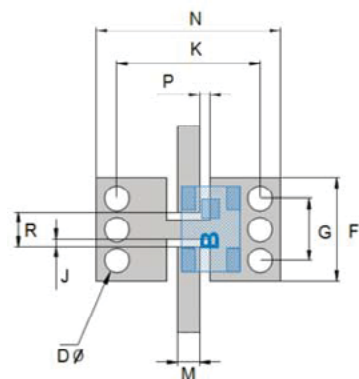
Finished parts are 100% tested for electrical parameters and visual/mechanical characteristics. Each production lot is evaluated on a sample basis for:

- Static Humidity: 85°C, 85% RH, 160 hours
- Endurance: 125°C, I<sub>R</sub>, 4 hours

#### TERMINATION

Nickel/ Lead free Solder coating (Sn100) compatible with automatic soldering technologies: reflow, wave soldering, vapor phase and manual.

#### RECOMMENDED PAD LAYOUT:



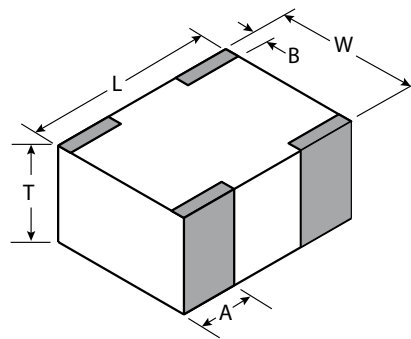
mm (inches)

F	2.50±0.05 (0.098±0.002)
G	1.50±0.05 (0.059±0.002)
J	0.19±0.05 (0.007±0.002)
K	3.48±0.05 (0.137±0.002)
M	0.54±0.25 (0.021±0.010)
N	4.48±0.05 (0.776±0.002)
P	0.25±0.05 (0.010±0.002)
R	0.85±0.05 (0.033±0.002)
D	0.60±0.05 (0.024±0.002)

\*The recommended distance to the PCB Ground Plane is 0.254mm (0.010")

\*\* PCB: Taconic Orcer RF-35P

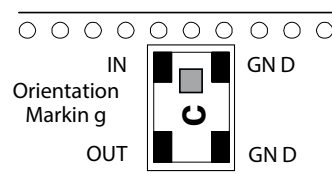
#### DIMENSIONS (TOP VIEW)



mm (inches)

L	2.03±0.10 (0.080±0.004)
W	1.55±0.10 (0.061±0.004)
T	0.80±0.10 (0.031±0.004)
A	0.56±0.25 (0.022±0.010)
B	0.35±0.15 (0.014±0.006)

#### TERMINAL AND LAYOUT (TOP VIEW)



# Thin-Film RF/Microwave Filters

## Low Pass 0805 High Performance Low Pass Filter

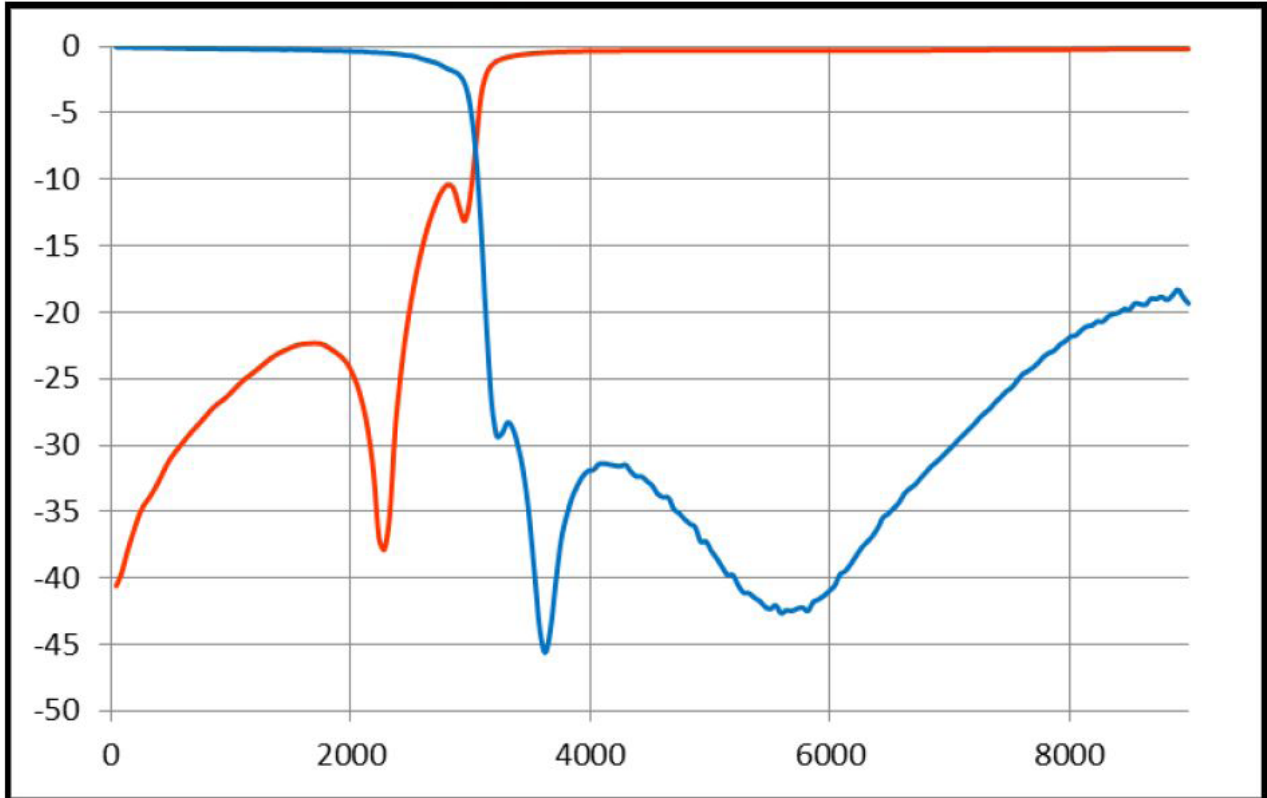
### LP0805H2500ASTR – SMD Termination



#### ELECTRICAL CHARACTERISTICS

P/N	I.Loss @2500MHz	R.Loss @ 2500MHz	Attenuation
LP0805H2500ASTR	-0.8dB max.	-15dB	-28dB at 4000-6000MHz -20dB at 6001-8000MHz

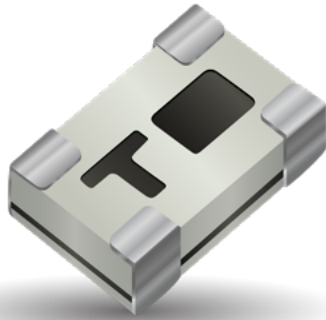
#### TYPICAL ELECTRICAL PERFORMANCE



# Thin-Film RF/Microwave Filters

## Low Pass 0805 High Performance Low Pass Filter

### LP0805H2600ASTR – SMD Termination



#### ITF TECHNOLOGY

The ITF SMD Filter is based on thin-film multilayer technology. The technology provides a miniature part with excellent high frequency performance and rugged construction for reliable automatic assembly.

The ITF Filter is offered in a variety of frequency bands compatible with various types of high frequency wireless systems.

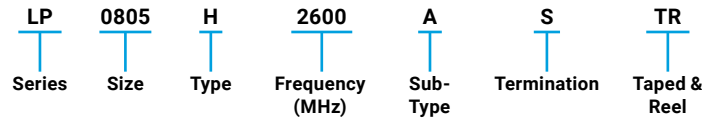
#### FEATURES

- Small size: 0805
- Frequency: 2600MHz
- Sharp attenuation slope
- Characteristic impedance: 50Ohm
- Operating / Storage temp: -40°C – +100°C
- Low profile
- Rugged construction
- Taped and reeled
- Power handling: 8W

#### APPLICATIONS

- Mobile communications
- Satellite TV receivers
- GPS
- Vehicle location systems
- Wireless LAN's

#### HOW TO ORDER



#### FINAL QUALITY INSPECTION

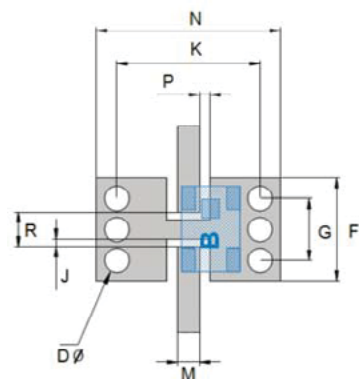
Finished parts are 100% tested for electrical parameters and visual/mechanical characteristics. Each production lot is evaluated on a sample basis for:

- Static Humidity: 85°C, 85% RH, 160 hours
- Endurance: 125°C, I<sub>R</sub>, 4 hours

#### TERMINATION

Nickel/ Lead free Solder coating (Sn100) compatible with automatic soldering technologies: reflow, wave soldering, vapor phase and manual.

#### RECOMMENDED PAD LAYOUT:



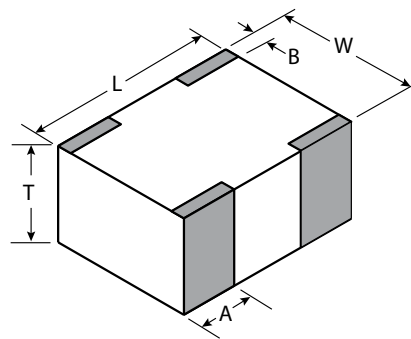
mm (inches)

F	2.50±0.05 (0.098±0.002)
G	1.50±0.05 (0.059±0.002)
J	0.19±0.05 (0.007±0.002)
K	3.48±0.05 (0.137±0.002)
M	0.54±0.25 (0.021±0.010)
N	4.48±0.05 (0.776±0.002)
P	0.25±0.05 (0.010±0.002)
R	0.85±0.05 (0.033±0.002)
D	0.60±0.05 (0.024±0.002)

\*The recommended distance to the PCB Ground Plane is 0.254mm (0.010")

\*\* PCB: Taconic Orcer RF-35P

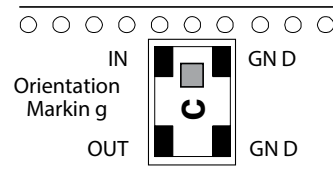
#### DIMENSIONS (TOP VIEW)



mm (inches)

L	2.03±0.10 (0.080±0.004)
W	1.55±0.10 (0.061±0.004)
T	0.80±0.10 (0.031±0.004)
A	0.56±0.25 (0.022±0.010)
B	0.35±0.15 (0.014±0.006)

#### TERMINAL AND LAYOUT (TOP VIEW)



# Thin-Film RF/Microwave Filters

## Low Pass 0805 High Performance Low Pass Filter

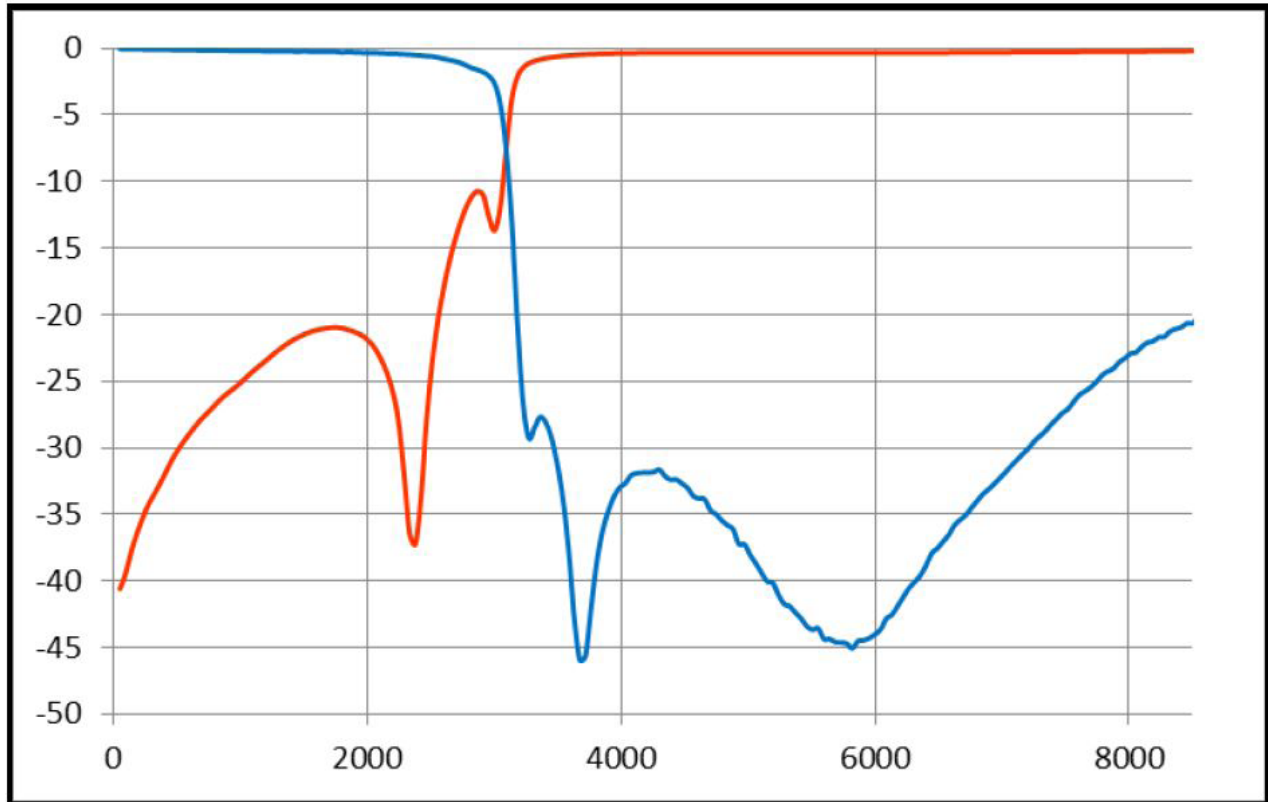
### LP0805H2600ASTR – SMD Termination



#### ELECTRICAL CHARACTERISTICS

P/N	I.Loss @2600MHz	R.Loss @ 2600MHz	Attenuation
LP0805H2600ASTR	-0.9dB max.	-15dB	-28dB at 4000-6000MHz -20dB at 6001-8000MHz

#### TYPICAL ELECTRICAL PERFORMANCE





# Thin-Film RF/Microwave Filters

## Low Pass 0805 High Performance SMD 8W

### LP0805H2900ASTR – SMD Termination



#### ITF TECHNOLOGY

The ITF SMD Filter is based on thin-film multilayer technology. The technology provides a miniature part with excellent high frequency performance and rugged construction for reliable automatic assembly.

The ITF Filter is offered in a variety of frequency bands compatible with various types of high frequency wireless systems.

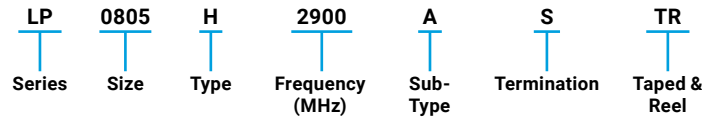
#### FEATURES

- Frequency: 1700-2900MHz
- Characteristic impedance: 50ohm
- Operating / Storage temp: -40°C – +100°C
- Low profile
- Rugged construction
- Taped and reeled
- Power handling: 8W

#### APPLICATIONS

- Mobile communications
- Satellite TV receivers
- GPS
- Vehicle location systems
- Wireless LAN's

#### HOW TO ORDER



#### FINAL QUALITY INSPECTION

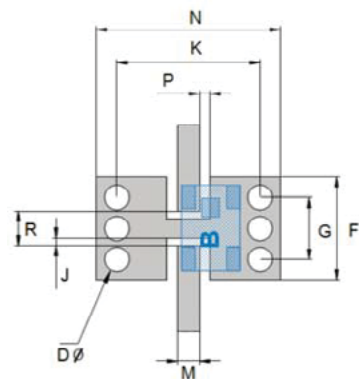
Finished parts are 100% tested for electrical parameters and visual/mechanical characteristics. Each production lot is evaluated on a sample basis for:

- Static Humidity: 85°C, 85% RH, 160 hours
- Endurance: 125°C, I<sub>R</sub>, 4 hours

#### TERMINATION

Nickel/ Lead free Solder coating (Sn100) compatible with automatic soldering technologies: reflow, wave soldering, vapor phase and manual.

#### RECOMMENDED PAD LAYOUT:

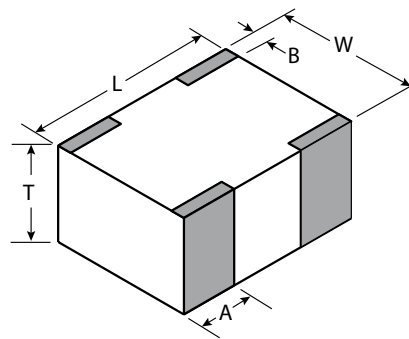


Dimension	mm (inches)
F	2.50±0.05 (0.098±0.002)
G	1.50±0.05 (0.059±0.002)
J	0.19±0.05 (0.007±0.002)
K	3.48±0.05 (0.137±0.002)
M	0.54±0.25 (0.021±0.010)
N	4.48±0.05 (0.776±0.002)
P	0.25±0.05 (0.010±0.002)
R	0.85±0.05 (0.033±0.002)
D	0.60±0.05 (0.024±0.002)

\*The recommended distance to the PCB Ground Plane is 0.254mm (0.010")

\*\* PCB: Taconic Orcer RF-35P

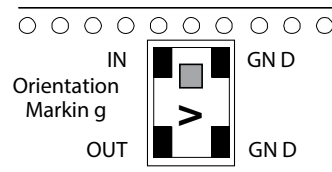
#### DIMENSIONS (TOP VIEW)



#### mm (inches)

Dimension	mm (inches)
L	2.03±0.10 (0.080±0.004)
W	1.55±0.10 (0.061±0.004)
T	0.80±0.10 (0.031±0.004)
A	0.56±0.25 (0.022±0.010)
B	0.35±0.15 (0.014±0.006)

#### TERMINAL AND LAYOUT (TOP VIEW)



# Thin-Film RF/Microwave Filters

## Low Pass 0805 High Performance SMD 8W

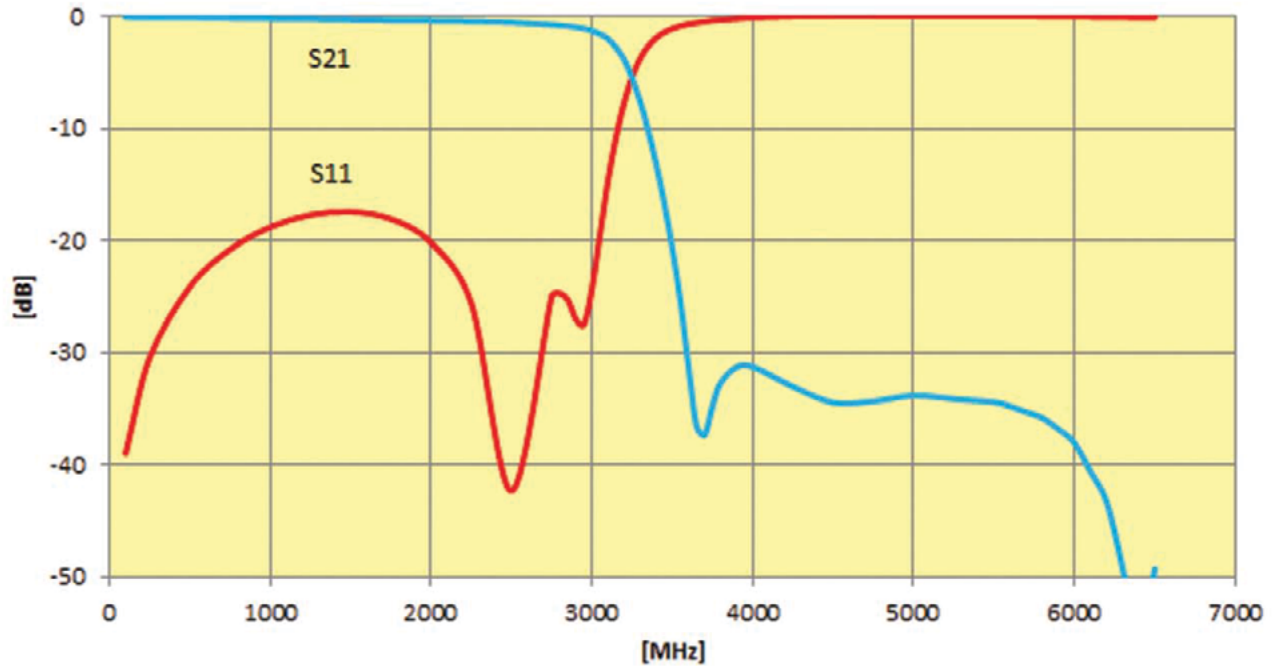
### LP0805H2900ASTR – SMD Termination



#### ELECTRICAL CHARACTERISTICS

P/N	Frequency	I.Loss @2900MHz	R.Loss @ 2900MHz	Attenuation
LP0805H2900ASTR	2900MHz	-1dB max.	-20dB	-30dB at 4060MHz -30dB at 5800MHz -35dB at 6500MHz

#### TYPICAL ELECTRICAL PERFORMANCE



# Thin-Film RF/Microwave Filters

## Low Pass 0805 High Performance SMD 8W

### LP0805H3500ASTR – SMD Termination



#### ITF TECHNOLOGY

The ITF SMD Filter is based on thin-film multilayer technology. The technology provides a miniature part with excellent high frequency performance and rugged construction for reliable automatic assembly.

The ITF Filter is offered in a variety of frequency bands compatible with various types of high frequency wireless systems.

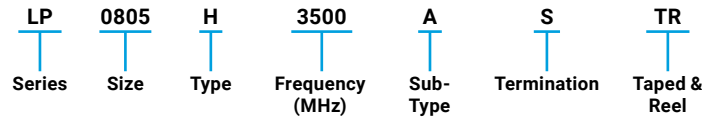
#### FEATURES

- Small size: 0805
- Frequency: 3500MHz
- Characteristic impedance: 50Ω
- Operating / Storage temp: -40°C – +100°C
- Low profile
- Rugged construction
- Taped and reeled
- Power handling: 8W

#### APPLICATIONS

- Mobile communications
- Satellite TV receivers
- GPS
- Vehicle location systems
- Wireless LAN's

#### HOW TO ORDER



#### FINAL QUALITY INSPECTION

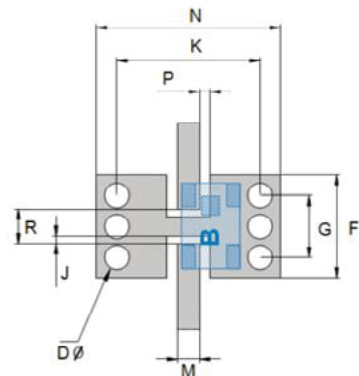
Finished parts are 100% tested for electrical parameters and visual/mechanical characteristics. Each production lot is evaluated on a sample basis for:

- Static Humidity: 85°C, 85% RH, 160 hours
- Endurance: 125°C, I<sub>R</sub>, 4 hours

#### TERMINATION

Nickel/ Lead free Solder coating (Sn100) compatible with automatic soldering technologies: reflow, wave soldering, vapor phase and manual.

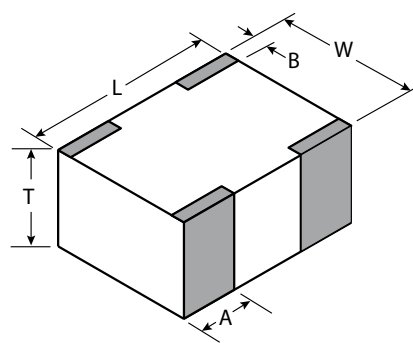
#### RECOMMENDED PAD LAYOUT:



Dimension	mm (inches)
F	2.50±0.05 (0.098±0.002)
G	1.50±0.05 (0.059±0.002)
J	0.19±0.05 (0.007±0.002)
K	3.48±0.05 (0.137±0.002)
M	0.54±0.25 (0.021±0.010)
N	4.48±0.05 (0.776±0.002)
P	0.25±0.05 (0.010±0.002)
R	0.85±0.05 (0.033±0.002)
D	0.60±0.05 (0.024±0.002)

\*The recommended distance to the PCB Ground Plane is 0.254mm (0.010")  
 \*\* PCB: Taconic Orcer RF-35P

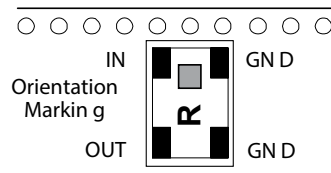
#### DIMENSIONS (TOP VIEW)



#### mm (inches)

Dimension	mm (inches)
L	2.03±0.10 (0.080±0.004)
W	1.55±0.10 (0.061±0.004)
T	0.80±0.10 (0.031±0.004)
A	0.56±0.25 (0.022±0.010)
B	0.35±0.15 (0.014±0.006)

#### TERMINAL AND LAYOUT (TOP VIEW)



# Thin-Film RF/Microwave Filters

## Low Pass 0805 High Performance SMD 8W

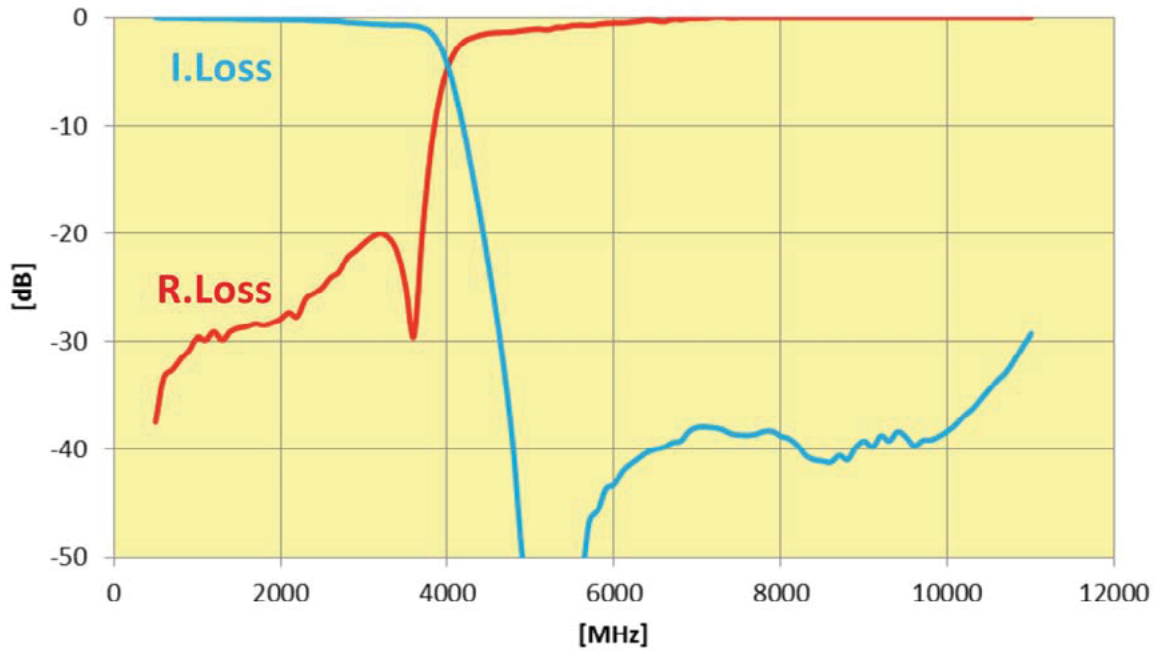
### LP0805H3500ASTR – SMD Termination



#### ELECTRICAL CHARACTERISTICS

P/N	Frequency	I.Loss @3500MHz	R.Loss @3500MHz	Attenuation
LP0805H3500ASTR	3500MHz	-0.85dB max.	-20dB	-35dB at 4900MHz -30dB at 7000MHz -30dB at 10500MHz

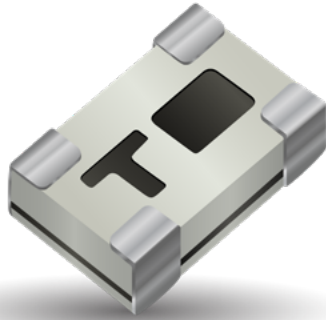
#### TYPICAL ELECTRICAL PERFORMANCE



# Thin-Film RF/Microwave Filters

## Low Pass 0805 High Performance SMD 8W

### LP0805H4000ASTR – SMD Termination



#### ITF TECHNOLOGY

The ITF SMD Filter is based on thin-film multilayer technology. The technology provides a miniature part with excellent high frequency performance and rugged construction for reliable automatic assembly.

The ITF Filter is offered in a variety of frequency bands compatible with various types of high frequency wireless systems.

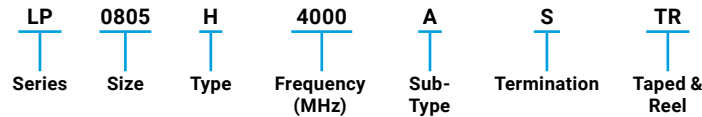
#### FEATURES

- Frequency: 4000MHz
- Characteristic impedance: 50ohm
- Operating / Storage temp: -40°C – +100°C
- Low profile
- Rugged construction
- Taped and reeled
- Power handling: 8W

#### APPLICATIONS

- Mobile communications
- Satellite TV receivers
- GPS
- Vehicle location systems
- Wireless LAN's

#### HOW TO ORDER



#### FINAL QUALITY INSPECTION

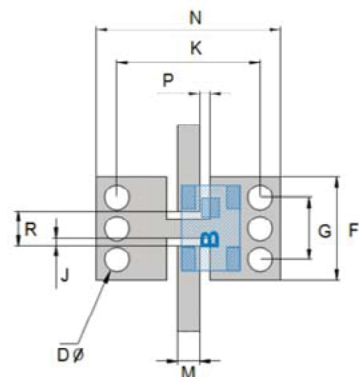
Finished parts are 100% tested for electrical parameters and visual/mechanical characteristics. Each production lot is evaluated on a sample basis for:

- Static Humidity: 85°C, 85% RH, 160 hours
- Endurance: 125°C, I<sub>R</sub>, 4 hours

#### TERMINATION

Nickel/ Lead free Solder coating (Sn100) compatible with automatic soldering technologies: reflow, wave soldering, vapor phase and manual.

#### RECOMMENDED PAD LAYOUT:

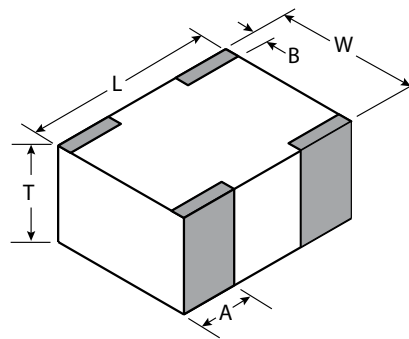


mm (inches)	
F	2.50±0.05 (0.098±0.002)
G	1.50±0.05 (0.059±0.002)
J	0.19±0.05 (0.007±0.002)
K	3.48±0.05 (0.137±0.002)
M	0.54±0.25 (0.021±0.010)
N	4.48±0.05 (0.776±0.002)
P	0.25±0.05 (0.010±0.002)
R	0.85±0.05 (0.033±0.002)
D	0.60±0.05 (0.024±0.002)

\*The recommended distance to the PCB Ground Plane is 0.254mm (0.010")

\*\* PCB: Taconic Orcer RF-35P

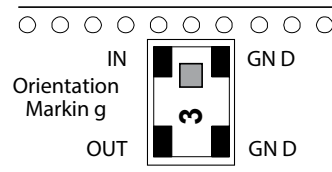
#### DIMENSIONS (TOP VIEW)



#### mm (inches)

L	2.03±0.10 (0.080±0.004)
W	1.55±0.10 (0.061±0.004)
T	0.80±0.10 (0.031±0.004)
A	0.56±0.25 (0.022±0.010)
B	0.35±0.15 (0.014±0.006)

#### TERMINAL AND LAYOUT (TOP VIEW)



# Thin-Film RF/Microwave Filters

## Low Pass 0805 High Performance SMD 8W

### LP0805H4000ASTR – SMD Termination



#### ELECTRICAL CHARACTERISTICS

P/N	Frequency	I.Loss @4000MHz	R.Loss @4000MHz	Attenuation
LP0805H4000ASTR	4000MHz	-0.8dB max.	-20dB	-40dB at 5600MHz -35dB at 8000MHz -35dB at 10000MHz -25dB at 12000MHz

#### TYPICAL ELECTRICAL PERFORMANCE

