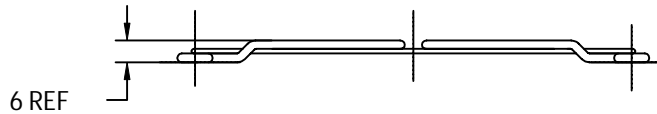
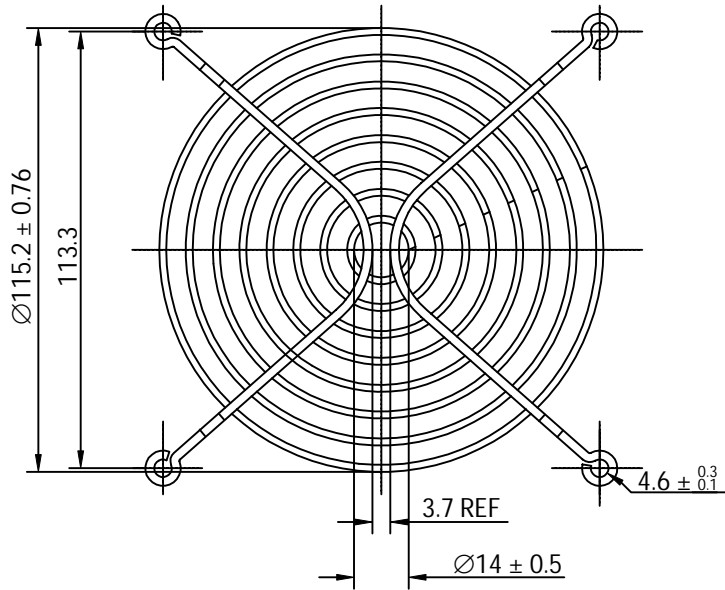


THESE DRAWINGS ARE THE PROPERTY OF QUALTEK ELECTRONICS AND NOT TO BE REPRODUCED FOR OR COMMUNICATED TO A THIRD PARTY WITHOUT THE EXPRESS WRITTEN PERMISSION OF AN OFFICER OF QUALTEK ELECTRONICS.

REVISION			
REV.	DESCRIPTION	DATE	APPROVED
B	RoHS Compliancy	06-01-06	DP



NOTES:

1. MATERIAL: C1008 BRIGHT BASIC WIRE
2. FINISH: BRIGHT NICKEL CHROME PLATING
3. 0.35 ± 0.05 DEPTH OF SERRATIONS ON WIRE
4. RING:  $\varnothing 1.8 \pm 0.1$ mm  
RIB:  $\varnothing 2.3 \pm 0.1$ mm
5. GENERAL TOLERANCE UNLESS NOTED IS  $\pm 0.5$ mm
6. RoHS COMPLIANT

**CONTROLLED**

Dim range (mm)	Tolerance +/- (mm)	Qualtek Electronics Corp. FAN-S DIVISION		
		Part Number: 08135		RoHS Compliant
0-5	0.1	Description: WIRE FORM FAN GUARD (127mm)		
5-16	0.15	UNIT: mm		
16-64	0.2	REV: B		
64-250	0.4	Approved / Date		
250-1000	0.5	JH / 11-18-03		
1000-1500	1.0	Drawn / Date	Checked / Date	Approved / Date
		B. ZHANG 11-18-03	11-18-03	JH / 11-18-03