

BLC9G24XS-170AV

Power LDMOS transistor

Rev. 3 — 24 May 2017

AMPLEON

Product data sheet

1. Product profile

1.1 General description

170 W LDMOS packaged asymmetrical Doherty power transistor for base station applications at frequencies from 2300 MHz to 2400 MHz.

Table 1. Typical performance

Typical RF performance at $T_{case} = 25\text{ °C}$ in the Doherty demo board.

| Test signal | f | V _{DS} | P _{L(AV)} | G _p | η _D | ACPR |
|------------------|--------------|-----------------|--------------------|----------------|----------------|---------|
| | (MHz) | (V) | (W) | (dB) | (%) | (dBc) |
| 1-carrier W-CDMA | 2300 to 2400 | 30 | 28 | 15.5 | 47 | -30 [1] |

[1] Test signal: 3GPP test model 1; 1 to 64 DPCH; PAR = 7.2 dB at 0.01 % probability on CCDF.

1.2 Features and benefits

- Excellent ruggedness
- High efficiency
- Low thermal resistance providing excellent thermal stability
- Decoupling leads to enable improved video bandwidth
- Lower output capacitance for improved performance in Doherty applications
- Designed for low memory effects providing excellent pre-distortability
- Internally matched for ease of use
- Integrated ESD protection
- Compliant to Directive 2002/95/EC, regarding Restriction of Hazardous Substances (RoHS)

1.3 Applications

- RF power amplifier for W-CDMA base stations and multi carrier applications in the 2300 MHz to 2400 MHz frequency range

2. Pinning information

Table 2. Pinning

| Pin | Description | Simplified outline | Graphic symbol |
|-----|----------------------------|--------------------|----------------|
| 1 | drain1 (main) | | aaa-007731 |
| 2 | drain2 (peak) | | |
| 3 | gate1 (main) | | |
| 4 | gate2 (peak) | | |
| 5 | video decoupling (main) | | |
| 6 | video decoupling (peak) | | |
| 7 | source [1] | | |

[1] Connected to flange.

3. Ordering information

Table 3. Ordering information

| Type number | Package | | |
|-----------------|---------|---|-----------|
| | Name | Description | Version |
| BLC9G24XS-170AV | - | air cavity plastic earless flanged package; 6 leads | SOT1275-1 |

4. Limiting values

Table 4. Limiting values

In accordance with the Absolute Maximum Rating System (IEC 60134).

| Symbol | Parameter | Conditions | Min | Max | Unit |
|-----------|----------------------|---------------------|------|------|------|
| V_{DS} | drain-source voltage | | - | 65 | V |
| V_{GS} | gate-source voltage | | -0.5 | +13 | V |
| T_{stg} | storage temperature | | -65 | +150 | °C |
| T_j | junction temperature | [1] | - | 225 | °C |

[1] Continuous use at maximum temperature will affect the reliability, for details refer to the online MTF calculator.

5. Thermal characteristics

Table 5. Thermal characteristics

| Symbol | Parameter | Conditions | Typ | Unit |
|------------------|--|--|-------|------|
| $R_{th(j-case)}$ | thermal resistance from junction to case | $T_{case} = 80\text{ °C}; I_{Dq} = 100\text{ mA}; V_{GS(amp) peak} = 1\text{ V}$ | | |
| | | $P_L = 28\text{ W}$ | 0.247 | K/W |
| | | $P_L = 44.5\text{ W}$ | 0.197 | K/W |

6. Characteristics

Table 6. DC characteristics

$T_j = 25\text{ °C}$ unless otherwise specified.

| Symbol | Parameter | Conditions | Min | Typ | Max | Unit |
|--------------------|----------------------------------|---|------|-------|------|------------------|
| Main device | | | | | | |
| $V_{(BR)DSS}$ | drain-source breakdown voltage | $V_{GS} = 0\text{ V}; I_D = 0.6\text{ mA}$ | 65 | - | 76.5 | V |
| $V_{GS(th)}$ | gate-source threshold voltage | $V_{DS} = 10\text{ V}; I_D = 60\text{ mA}$ | 1.5 | 2.0 | 2.5 | V |
| V_{GSq} | gate-source quiescent voltage | $V_{DS} = 28\text{ V}; I_D = 300\text{ mA}$ | 1.65 | 2.15 | 2.65 | V |
| I_{DSS} | drain leakage current | $V_{GS} = 0\text{ V}; V_{DS} = 32\text{ V}$ | - | - | 1.4 | μA |
| I_{DSX} | drain cut-off current | $V_{GS} = V_{GS(th)} + 3.75\text{ V}; V_{DS} = 10\text{ V}$ | - | 12.1 | - | A |
| I_{GSS} | gate leakage current | $V_{GS} = 11\text{ V}; V_{DS} = 0\text{ V}$ | - | - | 140 | nA |
| g_{fs} | forward transconductance | $V_{DS} = 10\text{ V}; I_D = 3000\text{ mA}$ | - | 4.56 | - | S |
| $R_{DS(on)}$ | drain-source on-state resistance | $V_{GS} = V_{GS(th)} + 3.75\text{ V}; I_D = 2.1\text{ A}$ | - | 237.5 | 385 | $\text{m}\Omega$ |
| Peak device | | | | | | |
| $V_{(BR)DSS}$ | drain-source breakdown voltage | $V_{GS} = 0\text{ V}; I_D = 0.9\text{ mA}$ | 65 | - | 76.5 | V |
| $V_{GS(th)}$ | gate-source threshold voltage | $V_{DS} = 10\text{ V}; I_D = 90\text{ mA}$ | 1.5 | 2.0 | 2.5 | V |
| V_{GSq} | gate-source quiescent voltage | $V_{DS} = 28\text{ V}; I_D = 450\text{ mA}$ | 1.65 | 2.15 | 2.65 | V |
| I_{DSS} | drain leakage current | $V_{GS} = 0\text{ V}; V_{DS} = 32\text{ V}$ | - | - | 1.4 | μA |
| I_{DSX} | drain cut-off current | $V_{GS} = V_{GS(th)} + 3.75\text{ V}; V_{DS} = 10\text{ V}$ | - | 17.9 | - | A |
| I_{GSS} | gate leakage current | $V_{GS} = 11\text{ V}; V_{DS} = 0\text{ V}$ | - | - | 140 | nA |
| g_{fs} | forward transconductance | $V_{DS} = 10\text{ V}; I_D = 4500\text{ mA}$ | - | 6.72 | - | S |
| $R_{DS(on)}$ | drain-source on-state resistance | $V_{GS} = V_{GS(th)} + 3.75\text{ V}; I_D = 3.15\text{ A}$ | - | 158 | 260 | $\text{m}\Omega$ |

Table 7. RF characteristics

Test signal: 1-carrier W-CDMA; PAR = 7.2 dB at 0.01 % probability on the CCDF; 3GPP test model 1; 1 to 64 DPCH; $f_1 = 2300\text{ MHz}$; $f_2 = 2400\text{ MHz}$; RF performance at $V_{DS} = 30\text{ V}$; $I_{Dq} = 250\text{ mA}$ (main); $V_{GS(amp)peak} = 0.65\text{ V}$; $T_{case} = 25\text{ °C}$; unless otherwise specified; in an asymmetrical Doherty production test circuit at frequencies from 2300 MHz to 2400 MHz.

| Symbol | Parameter | Conditions | Min | Typ | Max | Unit |
|-----------|------------------------------|---------------------------|------|------|-----|------|
| G_p | power gain | $P_{L(AV)} = 28\text{ W}$ | 14.3 | 15.5 | - | dB |
| RL_{in} | input return loss | $P_{L(AV)} = 28\text{ W}$ | - | -10 | -6 | dB |
| η_D | drain efficiency | $P_{L(AV)} = 28\text{ W}$ | 40 | 45 | - | % |
| ACPR | adjacent channel power ratio | $P_{L(AV)} = 28\text{ W}$ | - | -29 | -24 | dBc |

Table 8. RF characteristics

Test signal: pulsed CW; $t_p = 100\text{ }\mu\text{s}$; $\delta = 10\text{ %}$; $f = 2400\text{ MHz}$; RF performance at $V_{DS} = 30\text{ V}$; $I_{Dq} = 250\text{ mA}$ (main); $V_{GS(amp)peak} = 0.65\text{ V}$; $T_{case} = 25\text{ °C}$; unless otherwise specified; in an asymmetrical Doherty production test circuit at frequencies from 2300 MHz to 2400 MHz.

| Symbol | Parameter | Conditions | Min | Typ | Max | Unit |
|--------------|---------------------------------------|------------|-----|-----|-----|------|
| $P_{L(3dB)}$ | output power at 3 dB gain compression | | 134 | 157 | - | W |

7. Test information

7.1 Ruggedness in Doherty operation

The BLC9G24XS-170AV is capable of withstanding a load mismatch corresponding to a VSWR = 10 : 1 through all phases under the following conditions: $V_{DS} = 30$ V; $I_{Dq} = 150$ mA (main); $V_{GS(amp)peak} = 0.7$ V; $P_L = 110$ W (CW); $f = 2300$ MHz.

7.2 Impedance information

Table 9. Typical impedance of main device

Measured load-pull data of main device; $I_{Dq} = 300$ mA (main); $V_{DS} = 30$ V.

| f (MHz) | Z_S [1] (Ω) | Z_L [1] (Ω) | P_L [2] (W) | η_D [2] (%) | G_p [2] (dB) |
|--------------------------------------|---------------------------|---------------------------|------------------|---------------------|-------------------|
| Maximum power load | | | | | |
| 2300 | 3.1 – j10.0 | 3.5 – j6.7 | 88 | 58.6 | 17.8 |
| 2350 | 3.8 – j8.5 | 3.0 – j6.8 | 87 | 57.1 | 18.1 |
| 2400 | 8.3 – j11.9 | 3.2 – j6.7 | 87 | 57.4 | 18.2 |
| Maximum drain efficiency load | | | | | |
| 2300 | 3.1 – j10.0 | 6.0 – j5.2 | 61 | 66 | 19.5 |
| 2350 | 3.8 – j8.5 | 4.9 – j4.7 | 62 | 65.4 | 20.2 |
| 2400 | 8.3 – j11.9 | 5.2 – j4.3 | 63 | 64 | 20.4 |

[1] Z_S and Z_L defined in [Figure 1](#).

[2] at 3 dB gain compression.

Table 10. Typical impedance of peak device

Measured load-pull data of peak device; $I_{Dq} = 540$ mA (peak); $V_{DS} = 30$ V.

| f (MHz) | Z_S [1] (Ω) | Z_L [1] (Ω) | P_L [2] (W) | η_D [2] (%) | G_p [2] (dB) |
|--------------------------------------|---------------------------|---------------------------|------------------|---------------------|-------------------|
| Maximum power load | | | | | |
| 2300 | 4.2 – j11.2 | 4.5 – j6.4 | 124 | 58.7 | 18.3 |
| 2350 | 6.1 – j10.7 | 4.0 – j6.7 | 126 | 58.7 | 17.8 |
| 2400 | 8.2 – j13.7 | 3.8 – j6.4 | 119 | 57.5 | 18.2 |
| Maximum drain efficiency load | | | | | |
| 2300 | 4.2 – j11.2 | 3.8 – j3.7 | 102 | 66 | 19.7 |
| 2350 | 6.1 – j10.7 | 3.7 – j4.4 | 104 | 65 | 19.6 |
| 2400 | 8.2 – j13.7 | 3.2 – j4.3 | 94 | 64 | 19.8 |

[1] Z_S and Z_L defined in [Figure 1](#).

[2] at 3 dB gain compression.

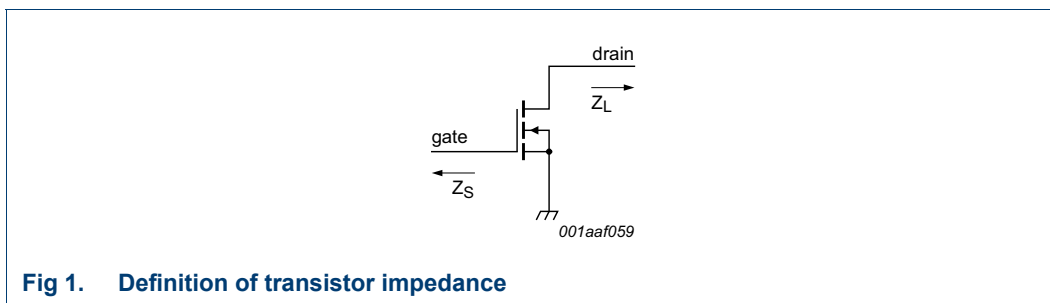


Fig 1. Definition of transistor impedance

7.3 Recommended impedances for Doherty design

Table 11. Typical impedance of main device at 1 : 1 load

Measured load-pull data of main device; $I_{Dq} = 300\text{ mA (main)}$; $V_{DS} = 30\text{ V}$.

| f (MHz) | Z_S [1] (Ω) | Z_L [1] (Ω) | P_L [2] (dBm) | η_D [3] (%) | G_p [3] (dB) |
|------------|---------------------------|---------------------------|--------------------|---------------------|-------------------|
| 2300 | 3.1 – j10.0 | 4.0 – j5.9 | 49.2 | 37.0 | 18.2 |
| 2350 | 3.8 – j8.5 | 3.8 – j6.2 | 49.3 | 38.0 | 18.8 |
| 2400 | 8.3 – j11.9 | 4.0 – j6.3 | 49.2 | 38.8 | 19.0 |

[1] Z_S and Z_L defined in [Figure 1](#).

[2] at 3 dB gain compression.

[3] at $P_{L(AV)} = 44.5\text{ dBm}$.

Table 12. Typical impedance of main device at 1 : 2.5 load

Measured load-pull data of main device; $I_{Dq} = 300\text{ mA (main)}$; $V_{DS} = 30\text{ V}$.

| f (MHz) | Z_S [1] (Ω) | Z_L [1] (Ω) | P_L [2] (dBm) | η_D [3] (%) | G_p [3] (dB) |
|------------|---------------------------|---------------------------|--------------------|---------------------|-------------------|
| 2300 | 3.1 – j10.0 | 6.1 – j2.7 | 47.3 | 50.1 | 19.8 |
| 2350 | 3.8 – j8.5 | 5.5 – j3.4 | 47.5 | 50.0 | 20.5 |
| 2400 | 8.3 – j11.9 | 4.7 – j2.9 | 47.3 | 51.0 | 20.5 |

[1] Z_S and Z_L defined in [Figure 1](#).

[2] at 3 dB gain compression.

[3] at $P_{L(AV)} = 44.5\text{ dBm}$.

7.4 VBW in Doherty operation

The BLC9G24XS-170AV shows 100 MHz (typical) video bandwidth in Doherty demo board in 2350 MHz at $V_{DS} = 30\text{ V}$; $I_{Dq} = 250\text{ mA}$ and $V_{GS(amp)peak} = 0.8\text{ V}$.

7.5 Test circuit

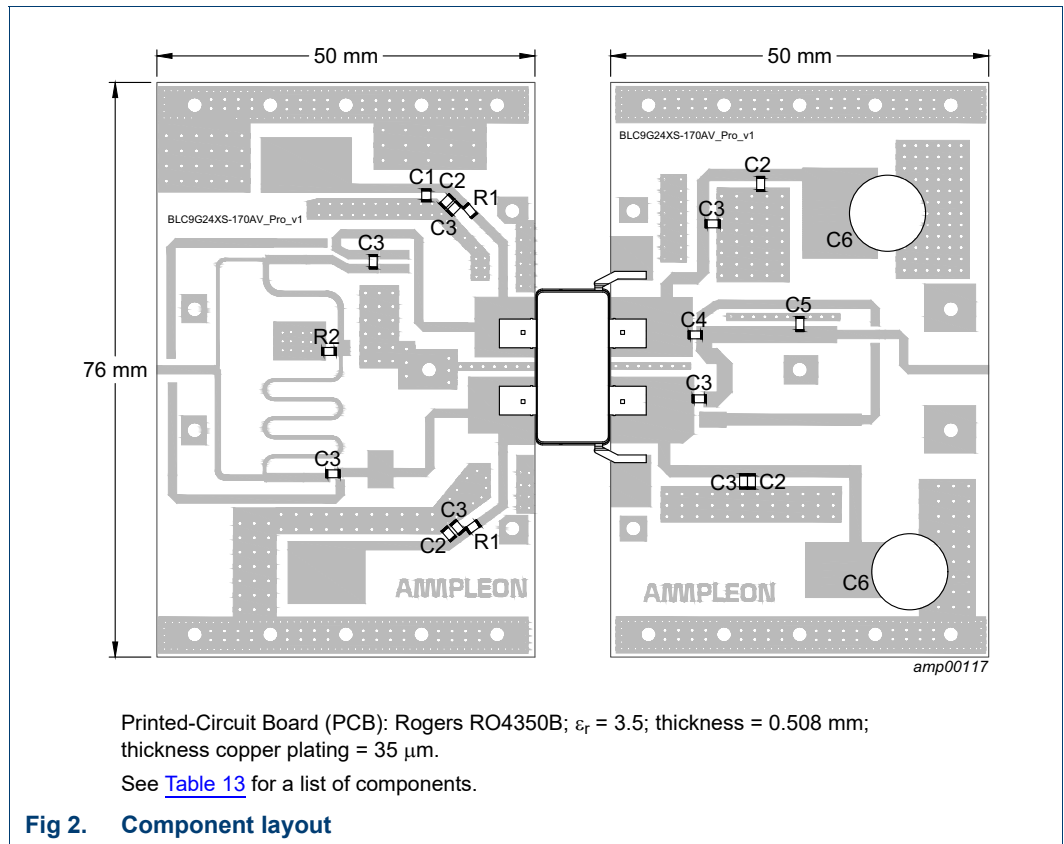


Table 13. List of components
See [Figure 2](#) for component layout.

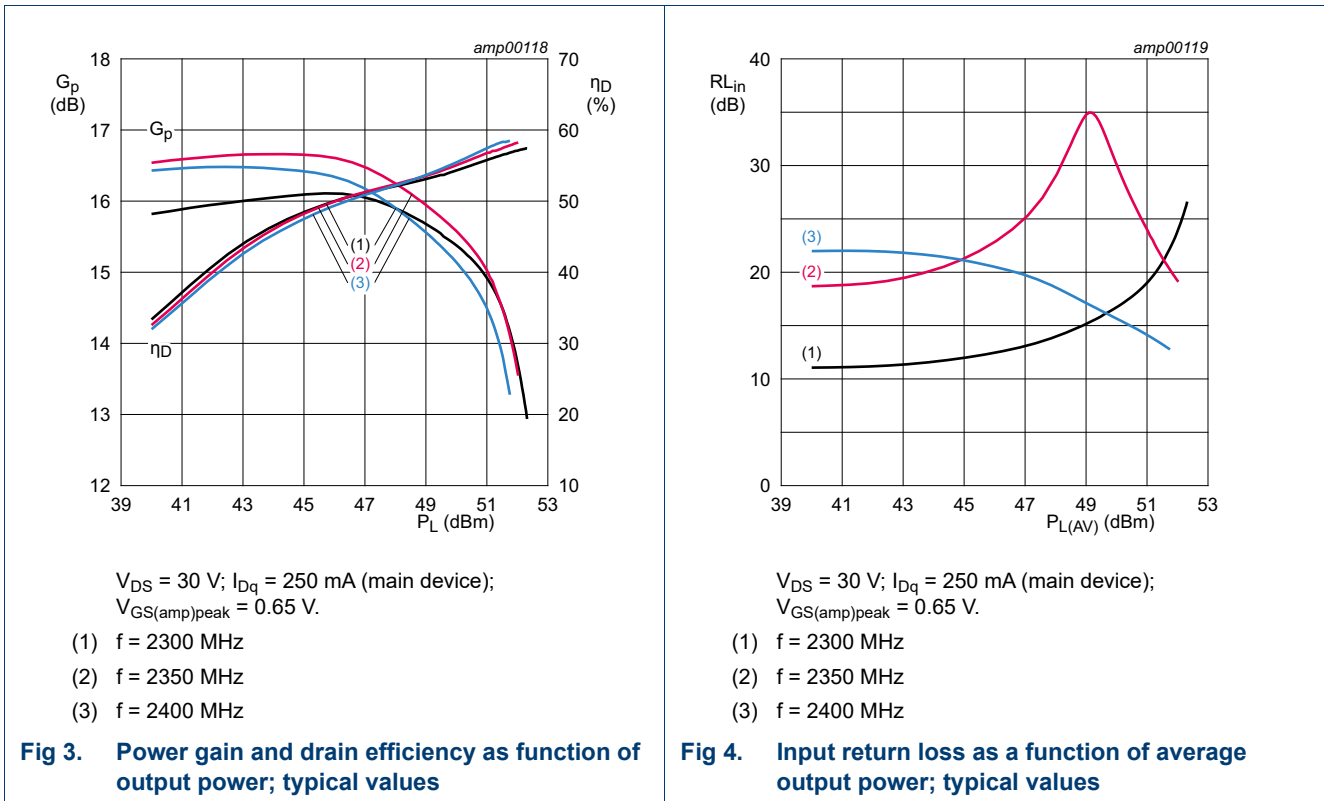
| Component | Description | Value | Remarks |
|-----------|-----------------------------------|----------------------------|--------------|
| C1 | multilayer ceramic chip capacitor | 1 μF , 50 V | [1] Murata |
| C2 | multilayer ceramic chip capacitor | 10 μF , 50 V | [1] Murata |
| C3 | multilayer ceramic chip capacitor | 11 pF | [2] ATC 600F |
| C4 | multilayer ceramic chip capacitor | 8.2 pF | [2] ATC 600F |
| C5 | multilayer ceramic chip capacitor | 0.2 pF | [2] ATC 600F |
| C6 | electrolytic capacitor | 1000 μF , 100 V | |
| R1 | resistor | 5.1 Ω | SMD 0805 |
| R2, R3 | resistor | 50 Ω | SMD 0805 |

[1] Murata or capacitor of same quality

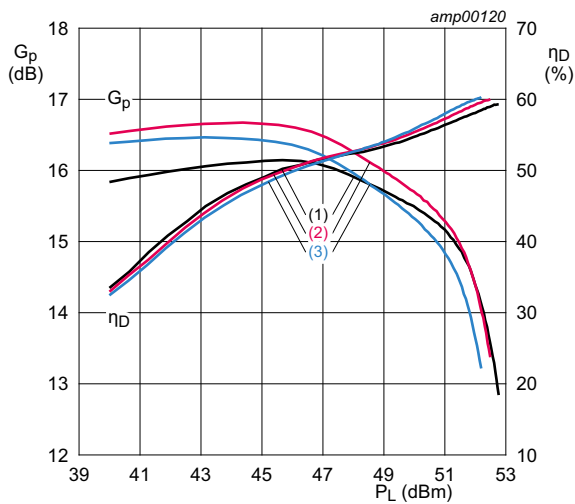
[2] American Technical Ceramics type 600F or capacitor of same quality

7.6 Graphical data

7.6.1 CW

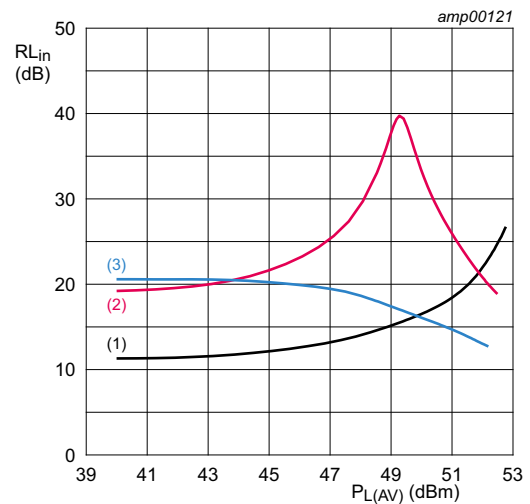


7.6.2 Pulsed CW



$V_{DS} = 30\text{ V}; I_{Dq} = 250\text{ mA (main device)};$
 $V_{GS(amp)peak} = 0.65\text{ V}.$
 (1) $f = 2300\text{ MHz}$
 (2) $f = 2350\text{ MHz}$
 (3) $f = 2400\text{ MHz}$

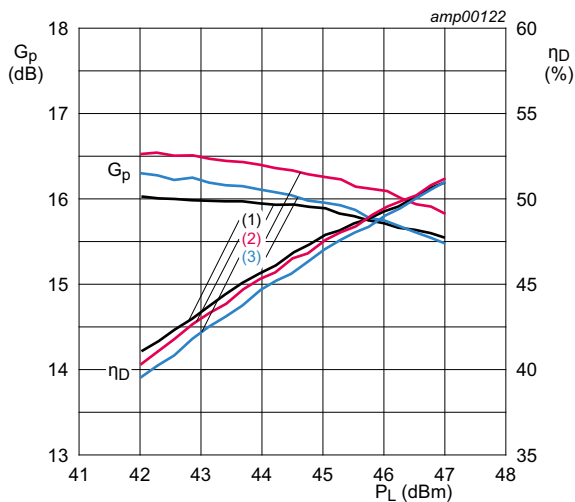
Fig 5. Power gain and drain efficiency as function of output power; typical values



$V_{DS} = 30\text{ V}; I_{Dq} = 250\text{ mA (main device)};$
 $V_{GS(amp)peak} = 0.65\text{ V}.$
 (1) $f = 2300\text{ MHz}$
 (2) $f = 2350\text{ MHz}$
 (3) $f = 2400\text{ MHz}$

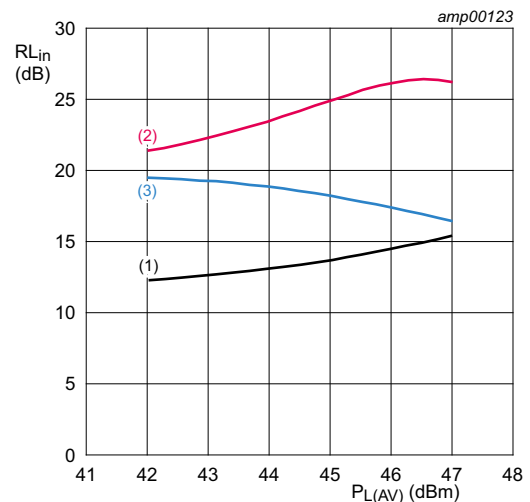
Fig 6. Input return loss as a function of average output power; typical values

7.6.3 1-Carrier W-CDMA



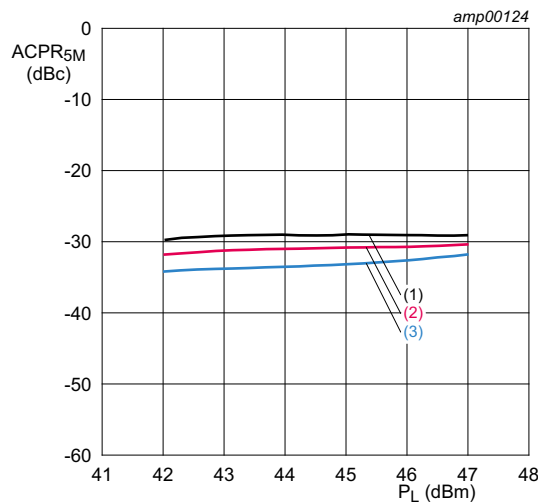
$V_{DS} = 30\text{ V}$; $I_{Dq} = 250\text{ mA}$ (main device);
 $V_{GS(amp)peak} = 0.65\text{ V}$.
 (1) $f = 2300\text{ MHz}$
 (2) $f = 2350\text{ MHz}$
 (3) $f = 2400\text{ MHz}$

Fig 7. Power gain and drain efficiency as function of output power; typical values



$V_{DS} = 30\text{ V}$; $I_{Dq} = 250\text{ mA}$ (main device);
 $V_{GS(amp)peak} = 0.65\text{ V}$.
 (1) $f = 2300\text{ MHz}$
 (2) $f = 2350\text{ MHz}$
 (3) $f = 2400\text{ MHz}$

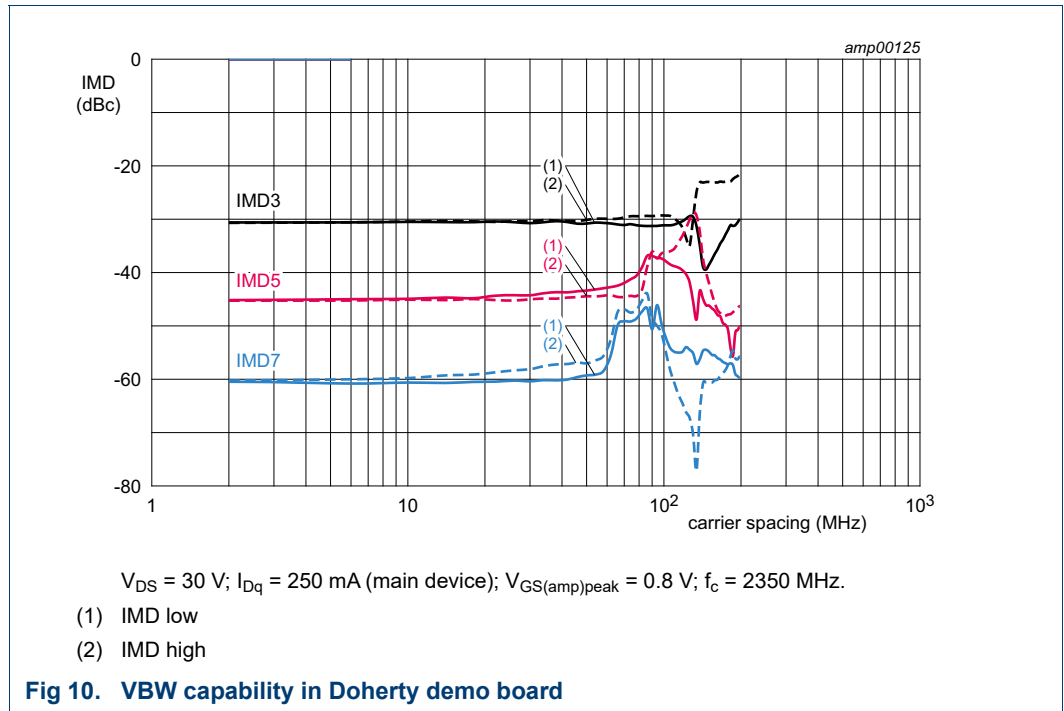
Fig 8. Input return loss as a function of average output power; typical values



$V_{DS} = 30\text{ V}$; $I_{Dq} = 250\text{ mA}$ (main device); $V_{GS(amp)peak} = 0.65\text{ V}$.
 (1) $f = 2300\text{ MHz}$
 (2) $f = 2350\text{ MHz}$
 (3) $f = 2400\text{ MHz}$

Fig 9. Adjacent channel power ratio (5 MHz) as a function of output power; typical values

7.6.4 2-Tone VBW



8. Package outline

Air cavity plastic earless flanged package; 6 leads

SOT1275-1

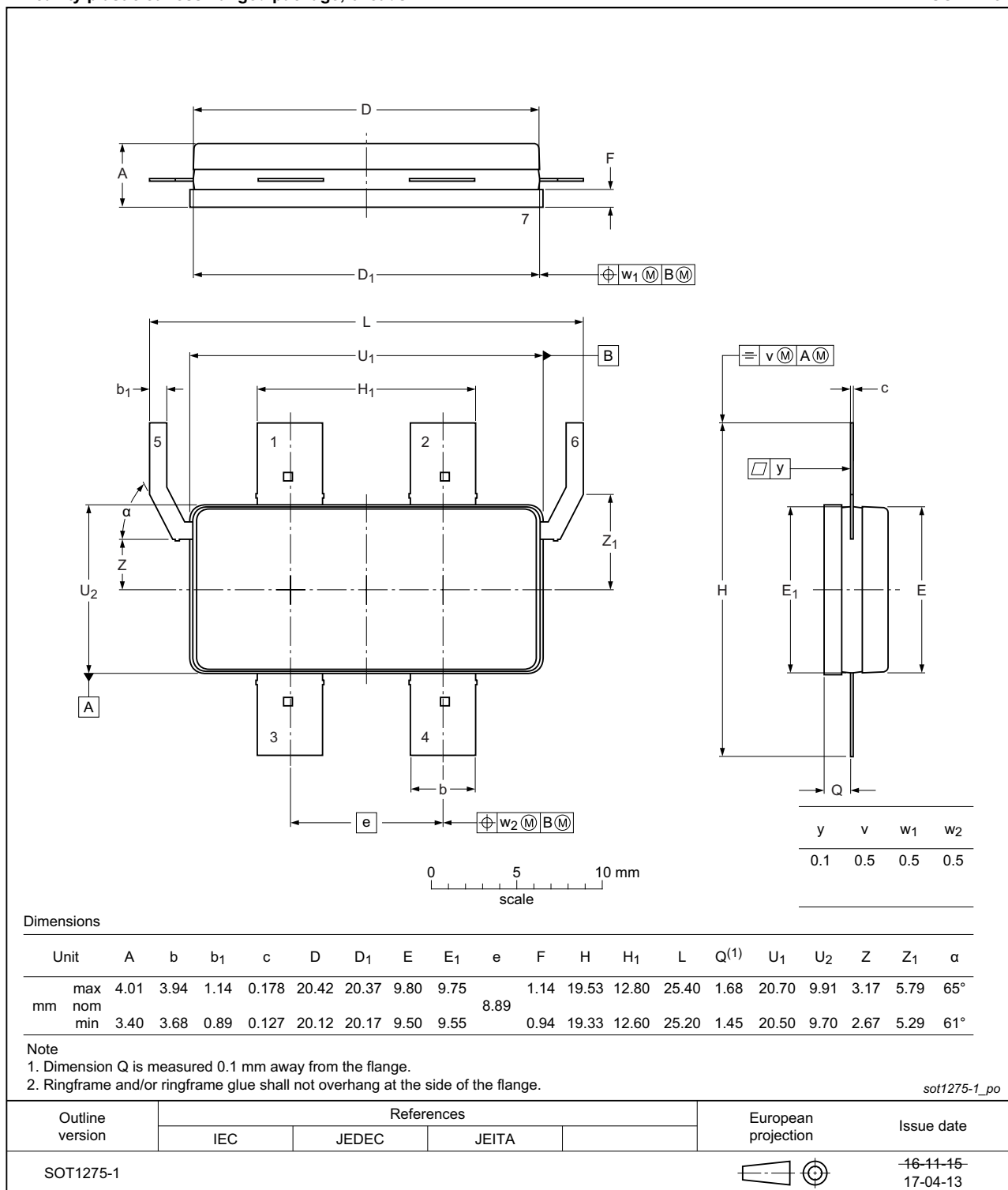


Fig 11. Package outline SOT1275-1

9. Handling information

CAUTION



This device is sensitive to ElectroStatic Discharge (ESD). Observe precautions for handling electrostatic sensitive devices.

Such precautions are described in the *ANSI/ESD S20.20*, *IEC/ST 61340-5*, *JESD625-A* or equivalent standards.

Table 14. ESD sensitivity

| ESD model | Class |
|--|-------------------------|
| Charged Device Model (CDM); According to ANSI/ESDA/JEDEC standard JS-002 | C2A [1] |
| Human Body Model (HBM); According to ANSI/ESDA/JEDEC standard JS-001 | 2 [2] |

[1] CDM classification C2A is granted to any part that passes after exposure to an ESD pulse of 500 V, but fails after exposure to an ESD pulse of 750 V.

[2] HBM classification 2 is granted to any part that passes after exposure to an ESD pulse of 2000 V, but fails after exposure to an ESD pulse of 4000 V.

10. Abbreviations

Table 15. Abbreviations

| Acronym | Description |
|---------|--|
| 3GPP | 3rd Generation Partnership Project |
| CCDF | Complementary Cumulative Distribution Function |
| CW | Continuous Wave |
| DPCH | Dedicated Physical CHannel |
| ESD | ElectroStatic Discharge |
| LDMOS | Laterally Diffused Metal-Oxide Semiconductor |
| MTF | Median Time to Failure |
| PAR | Peak-to-Average Ratio |
| SMD | Surface Mounted Device |
| VBW | Video BandWidth |
| VSWR | Voltage Standing Wave Ratio |
| W-CDMA | Wideband Code Division Multiple Access |

11. Revision history

Table 16. Revision history

| Document ID | Release date | Data sheet status | Change notice | Supersedes |
|---------------------|---|--------------------|---------------|---------------------|
| BLC9G24XS-170AV v.3 | 20170524 | Product data sheet | - | BLC9G24XS-170AV v.2 |
| Modifications: | <ul style="list-style-type: none"> Table 2 on page 2: change simplified outline Table 3 on page 2: change version to SOT1275-1 Figure 11 on page 11: change package outline drawing to SOT1275-1 | | | |
| BLC9G24XS-170AV v.2 | 20161220 | Product data sheet | - | BLC9G24XS-170AV v.1 |
| BLC9G24XS-170AV v.1 | 20161021 | Product data sheet | - | - |

12. Legal information

12.1 Data sheet status

| Document status ^{[1][2]} | Product status ^[3] | Definition |
|-----------------------------------|-------------------------------|---|
| Objective [short] data sheet | Development | This document contains data from the objective specification for product development. |
| Preliminary [short] data sheet | Qualification | This document contains data from the preliminary specification. |
| Product [short] data sheet | Production | This document contains the product specification. |

[1] Please consult the most recently issued document before initiating or completing a design.

[2] The term 'short data sheet' is explained in section "Definitions".

[3] The product status of device(s) described in this document may have changed since this document was published and may differ in case of multiple devices. The latest product status information is available on the Internet at URL <http://www.ampleon.com>.

12.2 Definitions

Draft — The document is a draft version only. The content is still under internal review and subject to formal approval, which may result in modifications or additions. Ampleon does not give any representations or warranties as to the accuracy or completeness of information included herein and shall have no liability for the consequences of use of such information.

Short data sheet — A short data sheet is an extract from a full data sheet with the same product type number(s) and title. A short data sheet is intended for quick reference only and should not be relied upon to contain detailed and full information. For detailed and full information see the relevant full data sheet, which is available on request via the local Ampleon sales office. In case of any inconsistency or conflict with the short data sheet, the full data sheet shall prevail.

Product specification — The information and data provided in a Product data sheet shall define the specification of the product as agreed between Ampleon and its customer, unless Ampleon and customer have explicitly agreed otherwise in writing. In no event however, shall an agreement be valid in which the Ampleon product is deemed to offer functions and qualities beyond those described in the Product data sheet.

12.3 Disclaimers

Limited warranty and liability — Information in this document is believed to be accurate and reliable. However, Ampleon does not give any representations or warranties, expressed or implied, as to the accuracy or completeness of such information and shall have no liability for the consequences of use of such information. Ampleon takes no responsibility for the content in this document if provided by an information source outside of Ampleon.

In no event shall Ampleon be liable for any indirect, incidental, punitive, special or consequential damages (including - without limitation - lost profits, lost savings, business interruption, costs related to the removal or replacement of any products or rework charges) whether or not such damages are based on tort (including negligence), warranty, breach of contract or any other legal theory.

Notwithstanding any damages that customer might incur for any reason whatsoever, Ampleon's aggregate and cumulative liability towards customer for the products described herein shall be limited in accordance with the *Terms and conditions of commercial sale* of Ampleon.

Right to make changes — Ampleon reserves the right to make changes to information published in this document, including without limitation specifications and product descriptions, at any time and without notice. This document supersedes and replaces all information supplied prior to the publication hereof.

Suitability for use — Ampleon products are not designed, authorized or warranted to be suitable for use in life support, life-critical or safety-critical systems or equipment, nor in applications where failure or malfunction of an

Ampleon product can reasonably be expected to result in personal injury, death or severe property or environmental damage. Ampleon and its suppliers accept no liability for inclusion and/or use of Ampleon products in such equipment or applications and therefore such inclusion and/or use is at the customer's own risk.

Applications — Applications that are described herein for any of these products are for illustrative purposes only. Ampleon makes no representation or warranty that such applications will be suitable for the specified use without further testing or modification.

Customers are responsible for the design and operation of their applications and products using Ampleon products, and Ampleon accepts no liability for any assistance with applications or customer product design. It is customer's sole responsibility to determine whether the Ampleon product is suitable and fit for the customer's applications and products planned, as well as for the planned application and use of customer's third party customer(s). Customers should provide appropriate design and operating safeguards to minimize the risks associated with their applications and products.

Ampleon does not accept any liability related to any default, damage, costs or problem which is based on any weakness or default in the customer's applications or products, or the application or use by customer's third party customer(s). Customer is responsible for doing all necessary testing for the customer's applications and products using Ampleon products in order to avoid a default of the applications and the products or of the application or use by customer's third party customer(s). Ampleon does not accept any liability in this respect.

Limiting values — Stress above one or more limiting values (as defined in the Absolute Maximum Ratings System of IEC 60134) will cause permanent damage to the device. Limiting values are stress ratings only and (proper) operation of the device at these or any other conditions above those given in the Recommended operating conditions section (if present) or the Characteristics sections of this document is not warranted. Constant or repeated exposure to limiting values will permanently and irreversibly affect the quality and reliability of the device.

Terms and conditions of commercial sale — Ampleon products are sold subject to the general terms and conditions of commercial sale, as published at <http://www.ampleon.com/terms>, unless otherwise agreed in a valid written individual agreement. In case an individual agreement is concluded only the terms and conditions of the respective agreement shall apply. Ampleon hereby expressly objects to applying the customer's general terms and conditions with regard to the purchase of Ampleon products by customer.

No offer to sell or license — Nothing in this document may be interpreted or construed as an offer to sell products that is open for acceptance or the grant, conveyance or implication of any license under any copyrights, patents or other industrial or intellectual property rights.

Export control — This document as well as the item(s) described herein may be subject to export control regulations. Export might require a prior authorization from competent authorities.

Non-automotive qualified products — Unless this data sheet expressly states that this specific Ampleon product is automotive qualified, the product is not suitable for automotive use. It is neither qualified nor tested in accordance with automotive testing or application requirements. Ampleon accepts no liability for inclusion and/or use of non-automotive qualified products in automotive equipment or applications.

In the event that customer uses the product for design-in and use in automotive applications to automotive specifications and standards, customer (a) shall use the product without Ampleon' warranty of the product for such automotive applications, use and specifications, and (b) whenever customer uses the product for automotive applications beyond Ampleon' specifications such use shall be solely at customer's own risk, and (c) customer fully indemnifies Ampleon for any liability, damages or failed product claims resulting from customer design and use of the product for automotive applications beyond Ampleon' standard warranty and Ampleon' product specifications.

Translations — A non-English (translated) version of a document is for reference only. The English version shall prevail in case of any discrepancy between the translated and English versions.

12.4 Trademarks

Notice: All referenced brands, product names, service names and trademarks are the property of their respective owners.

Any reference or use of any 'NXP' trademark in this document or in or on the surface of Ampleon products does not result in any claim, liability or entitlement vis-à-vis the owner of this trademark. Ampleon is no longer part of the NXP group of companies and any reference to or use of the 'NXP' trademarks will be replaced by reference to or use of Ampleon's own trademarks.

13. Contact information

For more information, please visit: <http://www.ampleon.com>

For sales office addresses, please visit: <http://www.ampleon.com/sales>

14. Contents

1 **Product profile** 1

1.1 General description 1

1.2 Features and benefits 1

1.3 Applications 1

2 **Pinning information** 2

3 **Ordering information** 2

4 **Limiting values** 2

5 **Thermal characteristics** 2

6 **Characteristics** 3

7 **Test information** 4

7.1 Ruggedness in Doherty operation 4

7.2 Impedance information 4

7.3 Recommended impedances for Doherty design 5

7.4 VBW in Doherty operation 5

7.5 Test circuit 6

7.6 Graphical data 7

7.6.1 CW 7

7.6.2 Pulsed CW 8

7.6.3 1-Carrier W-CDMA 9

7.6.4 2-Tone VBW 10

8 **Package outline** 11

9 **Handling information** 12

10 **Abbreviations** 12

11 **Revision history** 12

12 **Legal information** 13

12.1 Data sheet status 13

12.2 Definitions 13

12.3 Disclaimers 13

12.4 Trademarks 14

13 **Contact information** 14

14 **Contents** 15

Please be aware that important notices concerning this document and the product(s) described herein, have been included in section 'Legal information'.

© Ampleon Netherlands B.V. 2017. All rights reserved.

For more information, please visit: <http://www.ampleon.com>
 For sales office addresses, please visit: <http://www.ampleon.com/sales>

Date of release: 24 May 2017
 Document identifier: BLC9G24XS-170AV