

## **LP5024EVM User's Guide**

This user's guide describes the characteristics, setup, and use of the LP5024EVM Evaluation Module (EVM). This EVM helps the user evaluate the features of the Texas Instruments LP5024, which is an I<sup>2</sup>C bus-controlled, 24-channel, constant-current LED driver. This user's guide includes setup instructions, a schematic diagram, a bill of materials, printed-circuit board layout drawings, and software instructions.

The LP5024EVM can be converted for testing the LP5018 device by removing the factory-installed device (U1) and replacing it with the LP5018 counterpart. Then when testing, select the corresponding LP5018 tag from the menu on the GUI home page ([Figure 4](#)) for the evaluation.

### **Contents**

1	What You Get .....	2
2	What You Need In Addition .....	4
3	How to Get Started .....	4
4	Board Layout.....	14

### **List of Figures**

1	LP5024EVM Kit .....	2
2	LP5024EVM Key Connectors .....	3
3	LP5024EVM Hardware Setup.....	4
4	LP50 Family GUI Home Page .....	5
5	Landing Page of LP5024EVM GUI.....	5
6	LED Control Panel.....	6
7	LP50 EVM GUI Connection Status.....	7
8	LP50xx Global Setting .....	8
9	LED Color and Brightness Setting.....	9
10	Bank Management Entry .....	10
11	Bank Setting .....	10
12	LED Lighting Pattern .....	11
13	Register Map.....	12
14	Tool Bar .....	13
15	Top Assembly Layer .....	14
16	Top Layer Routing .....	15
17	Bottom Layer Routing (Mirrored).....	16
18	LP5024EVM Schematic Diagram .....	17

### **List of Tables**

1	LP5024EVM Parameters .....	3
2	Bill of Materials (BOM).....	18

### **Trademarks**

All trademarks are the property of their respective owners.

## 1 What You Get

The LP5024EVM kit (Figure 1) contains:.

- USB2ANY
  - Ribbon cable
  - USB cable
- LP5024EVM



Figure 1. LP5024EVM Kit

Figure 2 shows the key connectors used to operate LP5024EVM.

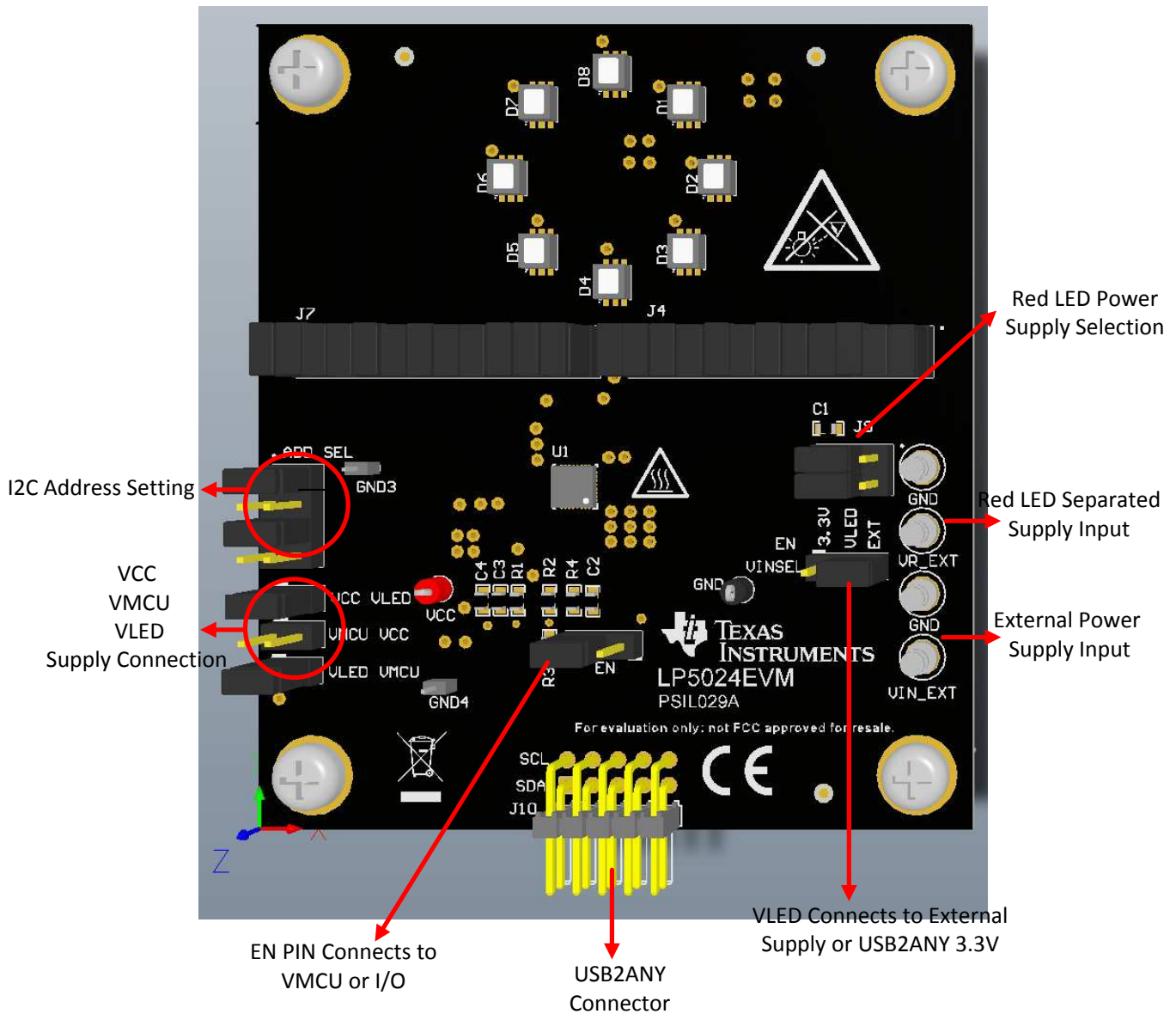


Figure 2. LP5024EVM Key Connectors

Table 1. LP5024EVM Parameters

PARAMETER	RANGE
VCC	3 V–5.5 V
VLED	3 V–5.5 V
VMCU	1.8 V, 3.3 V, 5 V
Channel current	35 mA (maximum)

Note: Channel current is set at 20 mA when the LED supply voltage is 5 V. Although the LP5024 device can withstand 6-V maximum LED supply voltage with 35 mA per channel, make sure that the PCB board thermal performance can meet the power dissipation requirement, because increased LED supply voltage increases channel output current.

## 2 What You Need In Addition

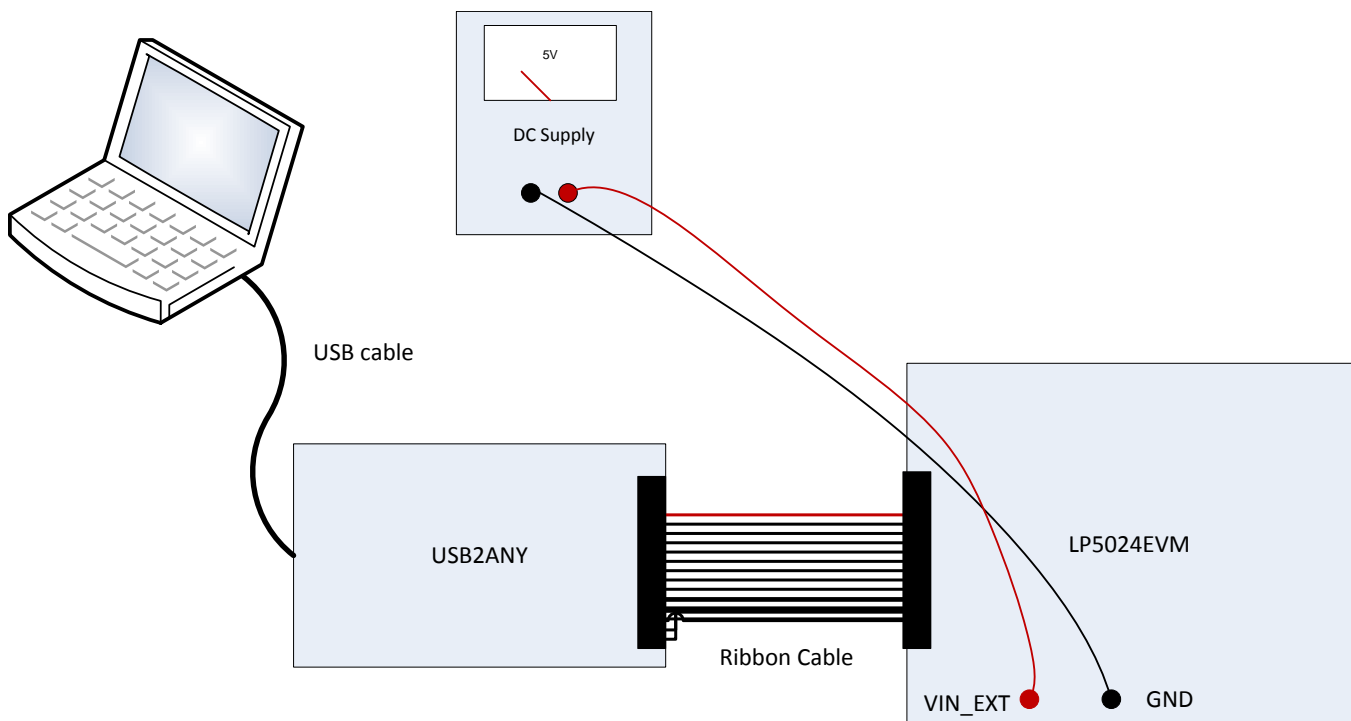
A PC on which to install the LP50 EVM GUI (click [here](#) to download software)  
 DC supply or USB port for LED supply

## 3 How to Get Started

### 3.1 Hardware Setup

Figure 3 shows the hardware setup of the LP5024EVM.

- Connect a 5-V power supply to TP1 (VIN\_EXT) and TP6 (GND).
- Using the USB cable, connect the USB2ANY module to the PC.
- Using the ribbon cable, connect the USB2ANY module to the LP5024EVM.



**Figure 3. LP5024EVM Hardware Setup**

### 3.2 Software Installation

Download the GUI software from the [product folder](#). After downloading, install the LP5024EVM GUI on the PC. A shortcut to the GUI is found on the desktop. A shortcut can also be found in the startup menu under the Texas Instruments folder. Figure 5 shows the landing page of the LP50 EVM GUI. The landing page contains the LP50xx introduction information and LP5024EVM information. Clicking the menu icon (≡) shows more information.

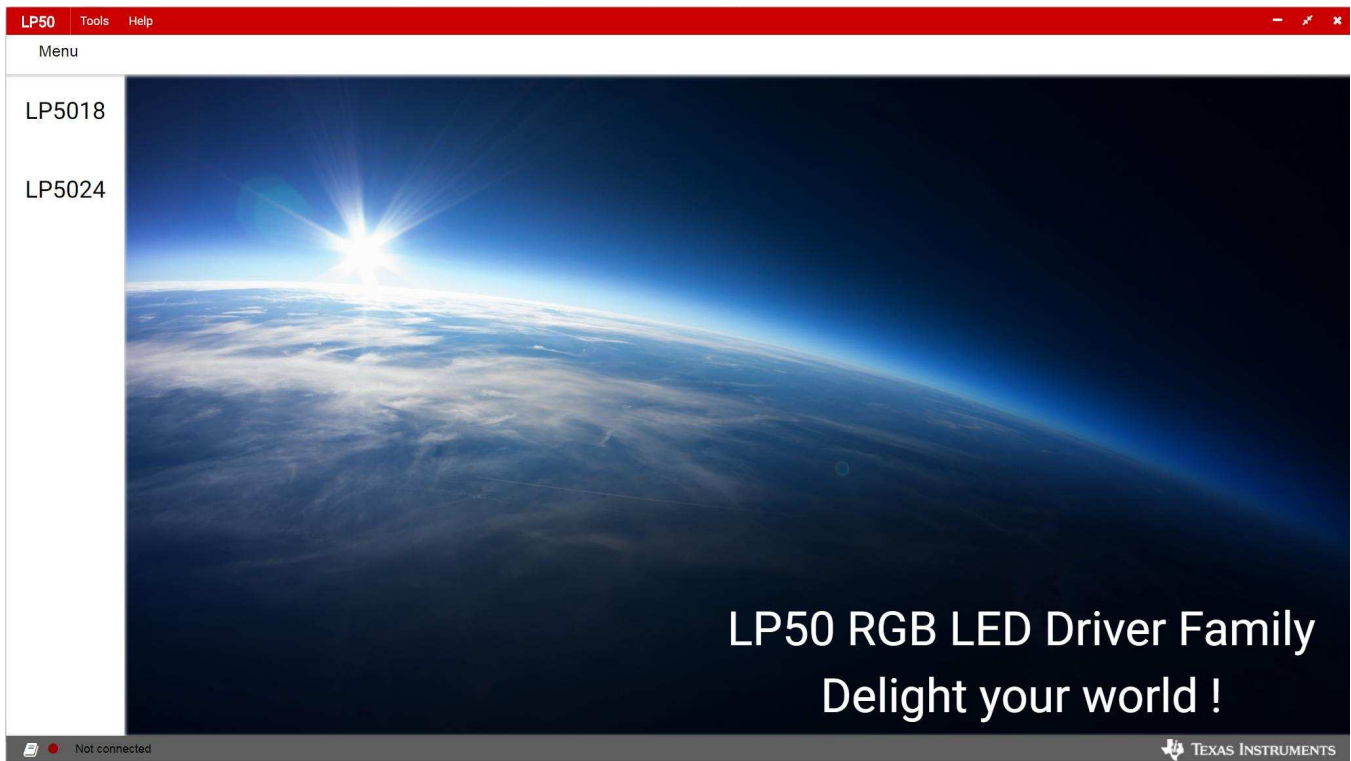


Figure 4. LP50 Family GUI Home Page

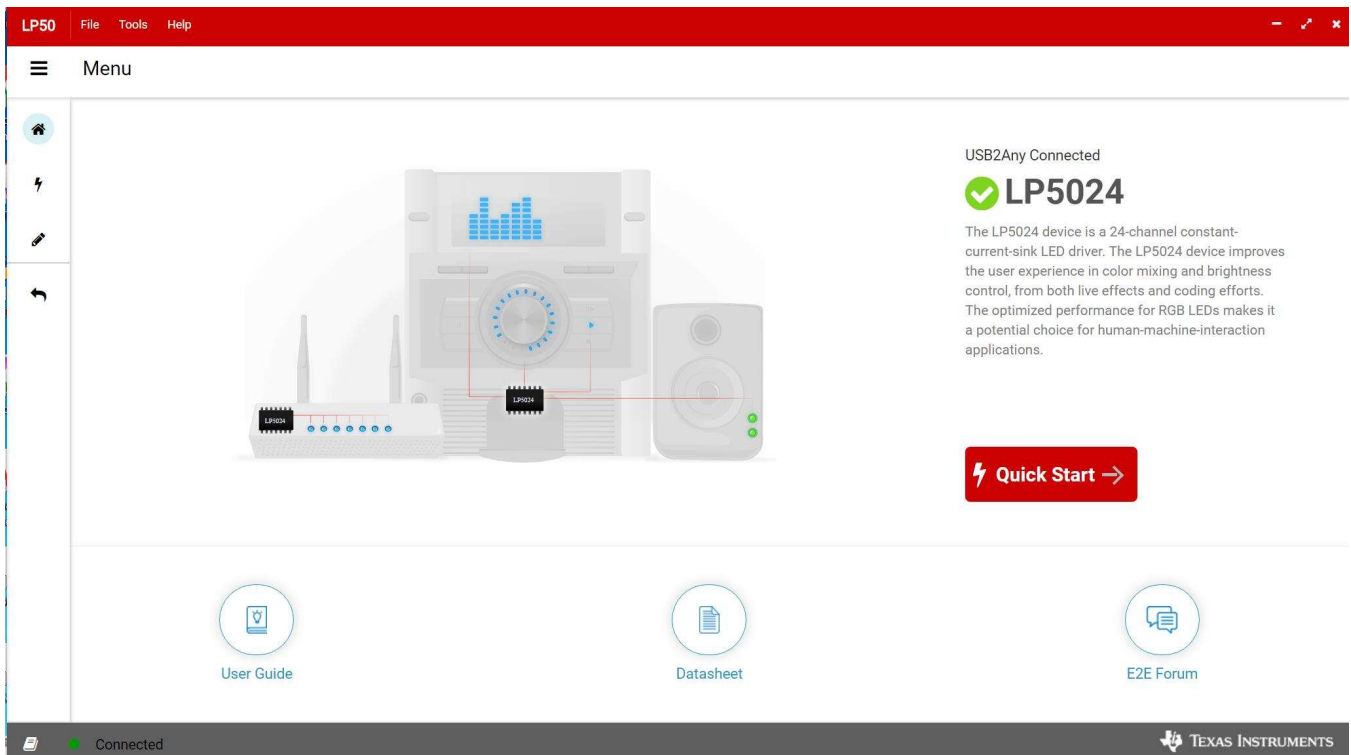


Figure 5. Landing Page of LP5024EVM GUI

### 3.3 GUI Function

Click the Quick Start button in the lower-right corner. The GUI displays a detailed LED control panel as shown in Figure 6.

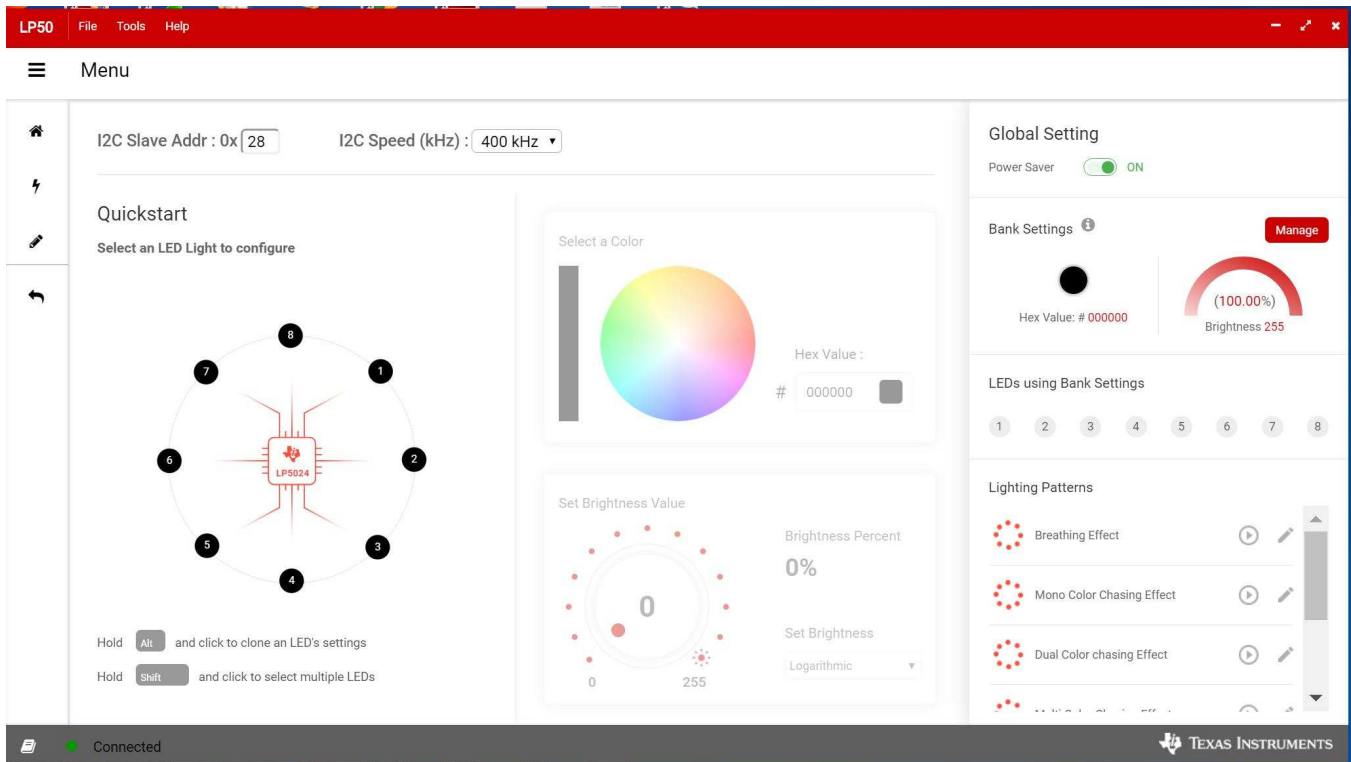


Figure 6. LED Control Panel

### 3.3.1 Connection Status

Before using the GUI, make sure the connection status indicator at the bottom left corner is *green*, which means the USB2ANY is connected to the computer successfully. If the status indicator is *red*, try to reconnect the USB2ANY cable and restart the LP50 EVM GUI.

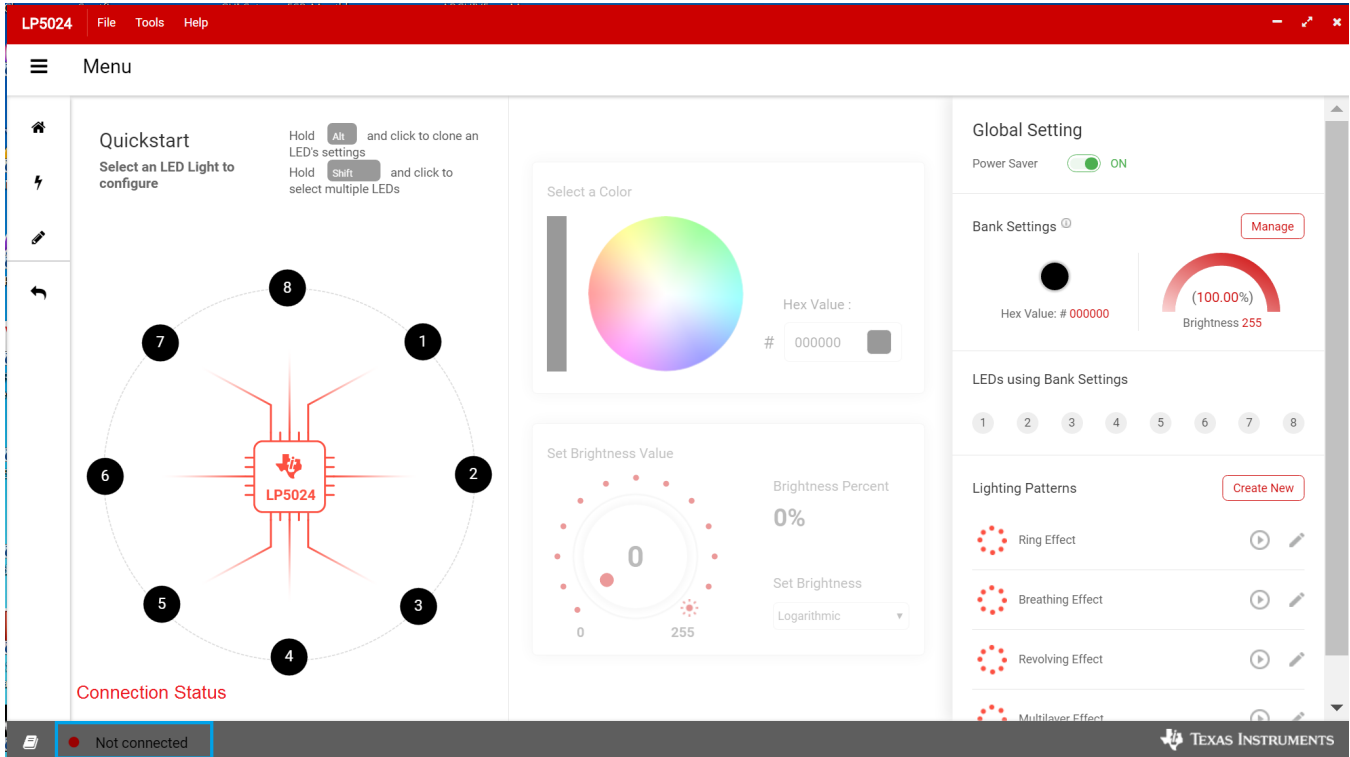


Figure 7. LP50 EVM GUI Connection Status



### 3.3.2 GUI Functions

#### 3.3.2.1 Global Setting

When all the LED outputs are inactive, the LP50xx device is able to enter power-save mode automatically, thus lowering idle-current consumption down to 10  $\mu$ A (typical). Automatic power-save mode is enabled when register bit Power\_Save\_EN = 1 (default) and all the LEDs are off for a duration of >30 ms. Almost all analog blocks are powered down in power-save mode. If any I<sup>2</sup>C command to the device occurs, the LP50xx device returns to the NORMAL mode. Set the Power Saver switch to activate the function (see Figure 7).

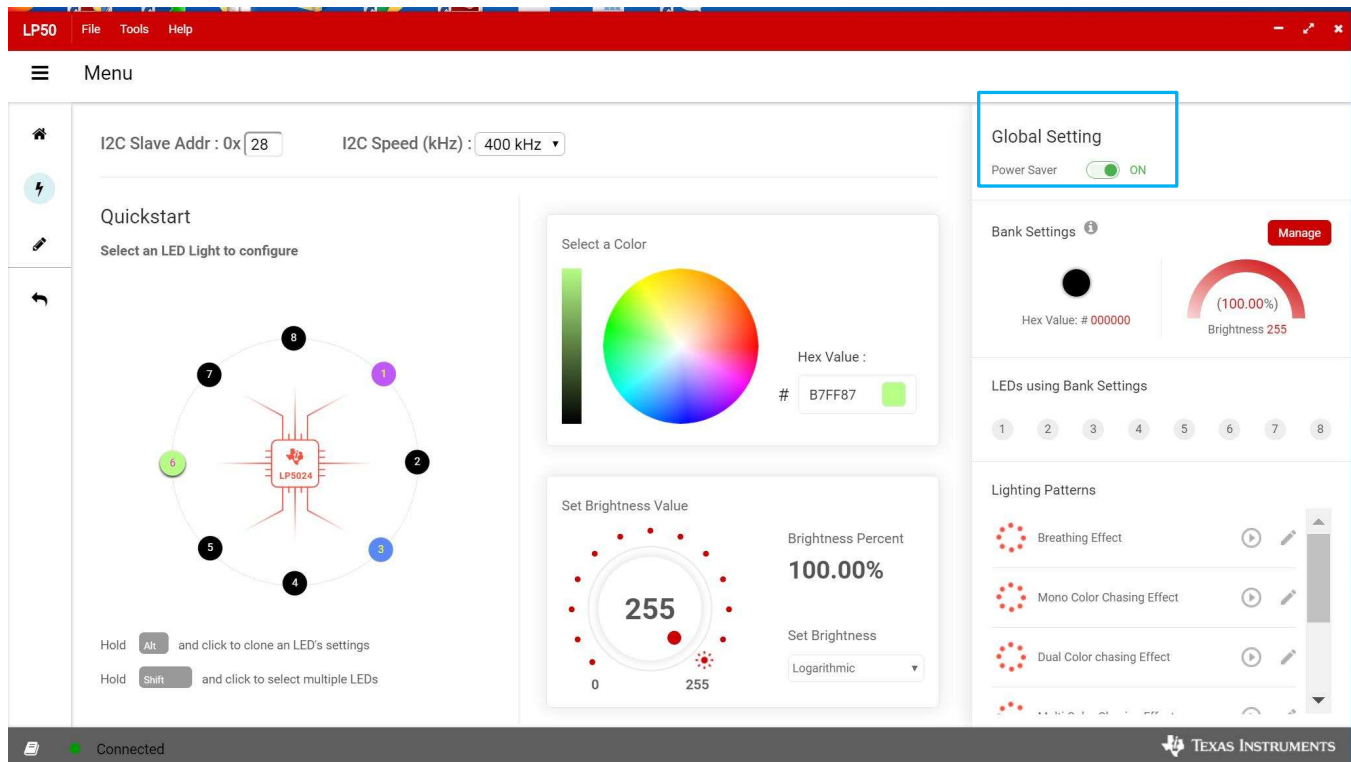
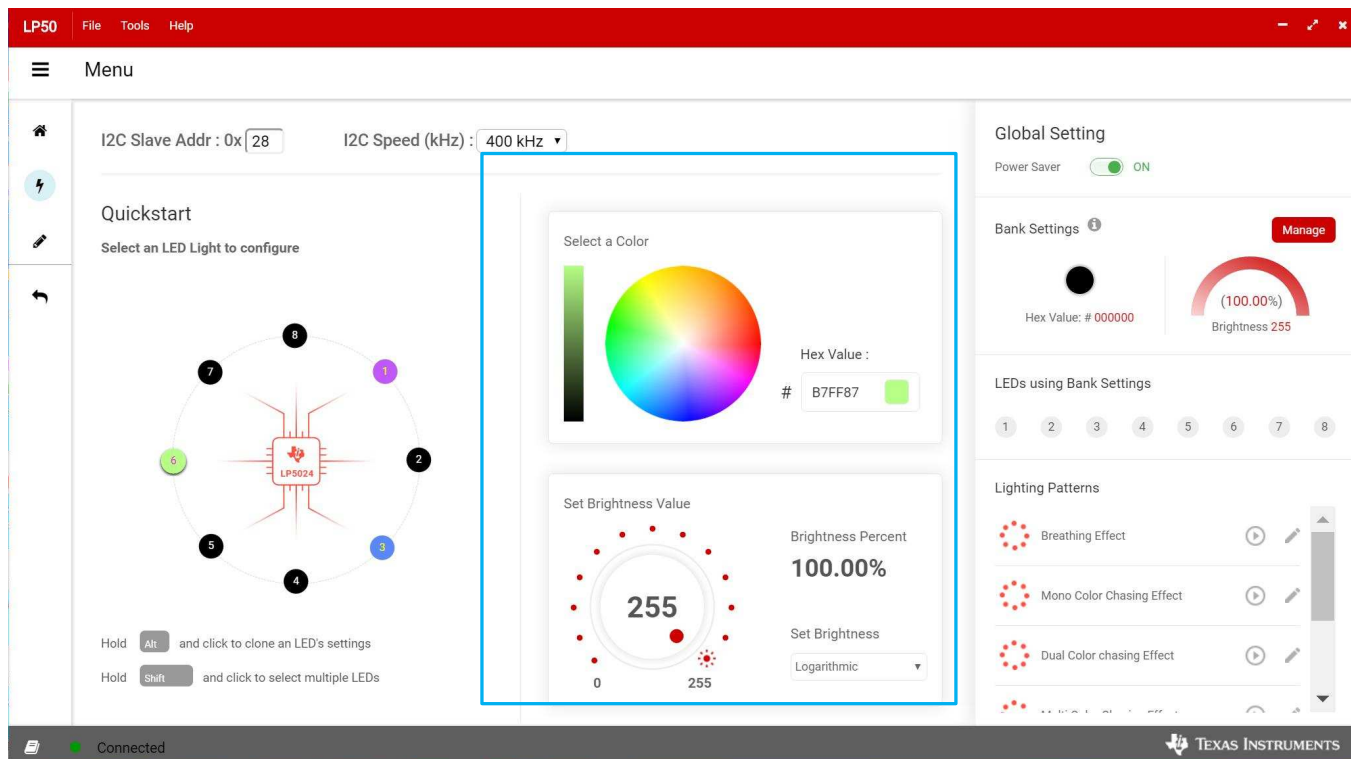


Figure 8. LP50xx Global Setting



### 3.3.2.2 RGB LED Color and Brightness Control

Each output channel has its own individual 8-bit color-setting register (OUT<sub>x</sub>\_COLOR). The device allows every RGB LED module to achieve >16 million (256 × 256 × 256) color-mixing. When color is fixed, the independent brightness-control is used to achieve accurate and flexible dimming control for every RGB LED module. Every three consecutive output channels are assigned to their respective brightness-control register (LED<sub>x</sub>\_BRIGHTNESS). The LP50xx device allows 256-step brightness control for each RGB LED module, which helps achieve a smooth dimming effect. For human-eye-friendly visual performance, a logarithmic-scale dimming curve is usually implemented in LED drivers. The LP50xx device, with independent color-mixing and brightness-control registers, implements the logarithmic scale dimming control inside the brightness control function, which solves the color distortion issue effectively. Also, the LP50xx device allows users to configure the dimming scale either logarithmically or linearly through the global Log\_Scale\_EN register. Click the Manage button, shown in [Figure 9](#), to set the color and brightness.



**Figure 9. LED Color and Brightness Setting**

### 3.3.2.3 Bank Management

For most LED-animation effects, like blinking and breathing, all the RGB LEDs have the same lighting pattern. Instead of controlling the individual LED separately, which occupies the microcontroller resources heavily, the LP50xx device provides an easy coding approach, the LED bank control. Each channel can be configured as either independent control or bank control through the LED<sub>x</sub>\_Bank\_EN register. When LED<sub>x</sub>\_Bank\_EN = 0 (default), the LED is controlled independently by the related color-mixing and brightness-control registers. When LED<sub>x</sub>\_Bank\_EN = 1, the LP50xx device drives the LED in LED bank-control mode. The LED bank has its own independent PWM control scheme, which is the same structure as the PWM scheme of each channel. See Out<sub>x</sub> Color in the register map, [Figure 13](#) for more details. When a channel is configured in LED bank-control mode, the related color mixing and brightness control is governed by the bank control registers (BANK\_A\_COLOR, BANK\_B\_COLOR, BANK\_C\_COLOR, and BANK\_BRIGHTNESS) regardless of the inputs on its own color-mixing and brightness-control registers.

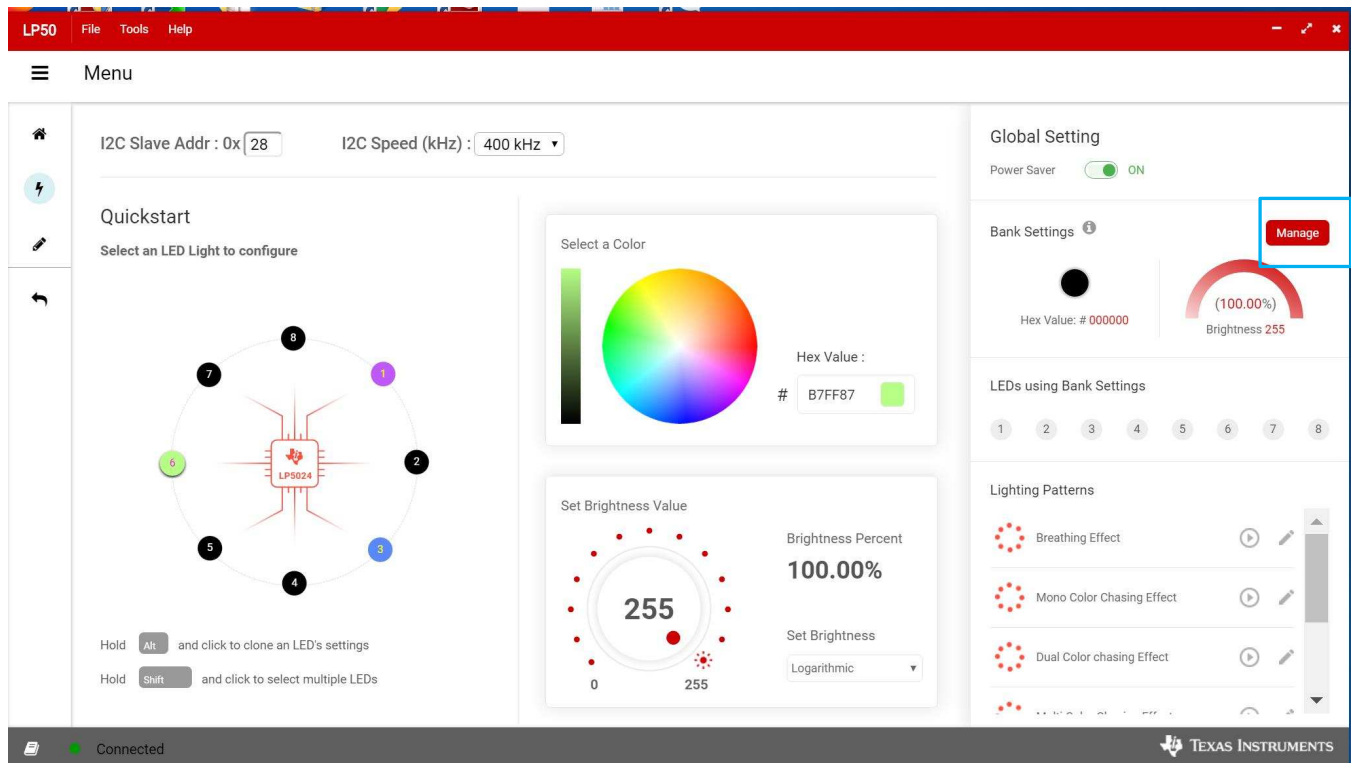


Figure 10. Bank Management Entry

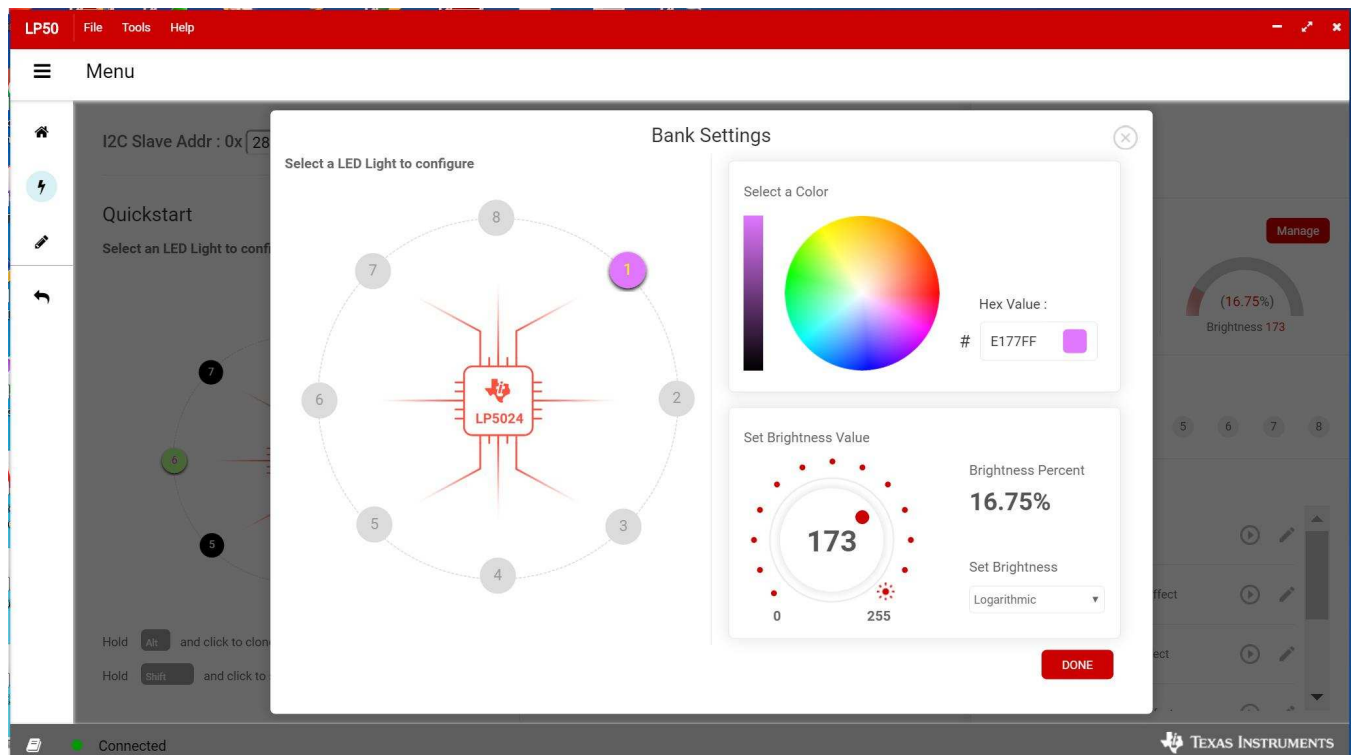


Figure 11. Bank Setting

### 3.3.3 Lighting Patterns

The GUI also can run the preset lighting patterns and customize the lighting patterns by modifying some parameters.

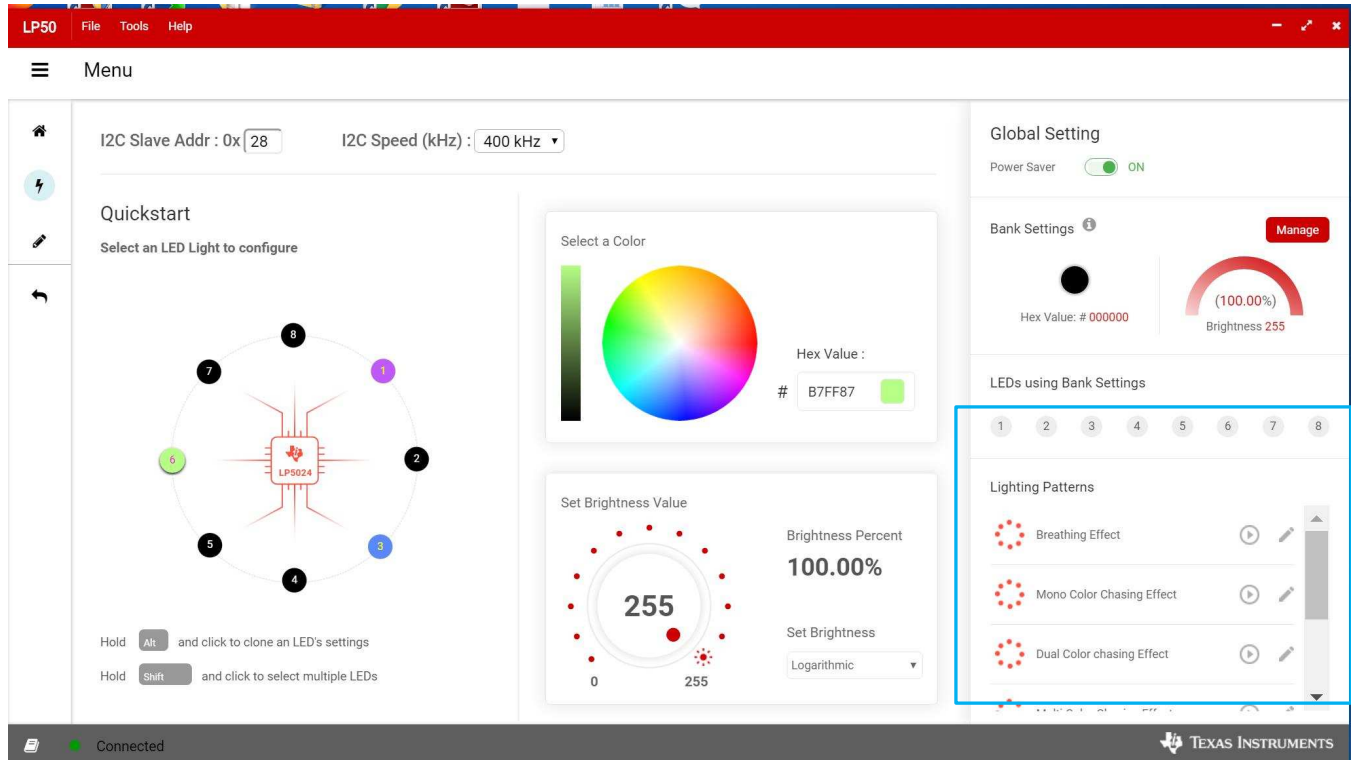


Figure 12. LED Lighting Pattern

### 3.3.4 Register Map

The register view appears when the Register icon is clicked. The register view provides the register values, field values, and descriptions. The registers can be operated directly through the input check box.

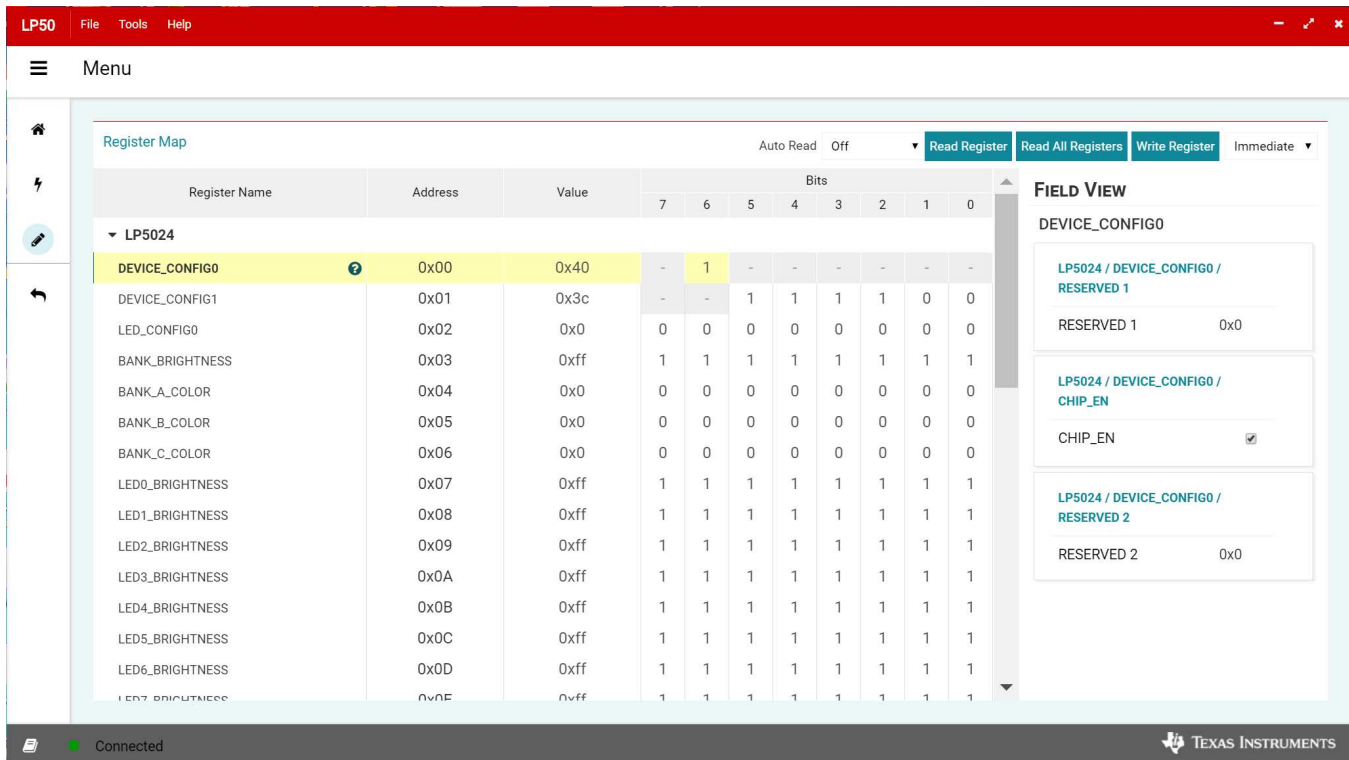


Figure 13. Register Map

Enter the desired hex value in the registers (Current Value column), perform a bit-wise configuration of any register fields by double-clicking on the corresponding register bit, or configure a register field by entering the desired value as hex in the Value column, binary in the Bits columns, or by using the input boxes for each field under FIELD VIEW to set values for the corresponding variables. Field View displays the description of all fields of the selected register. Each register can be read independently or all registers can be read at once by using the Read Register or Read All Registers button, respectively. The data is written to the registers in one of two ways, depending on the update mode (Immediate↓ or Deferred↓) button. Clicking the button toggles between the two modes. In Immediate mode, the register data is written immediately following a Current Value, an individual bit, or a Value change. In Deferred mode, the displayed data is written to all registers on depression of the Write Register button. Press the Read All Registers button to read back all the registers and update the values in this table. If any register value must be changed, simply double-click on the individual bit values to change the value in this table in immediate updated mode or press the Write Register button to write all the registers at a time if Deferred is selected instead of Immediate from the drop-down box. Register settings can be saved in text-file format by selecting Save Registers from the file menu. A register settings file in text-file format can be loaded and programmed automatically by selecting Load Register from the file menu.

### 3.3.5 Tool Bar

Registers can be loaded and saved through the tool bar under the File menu.

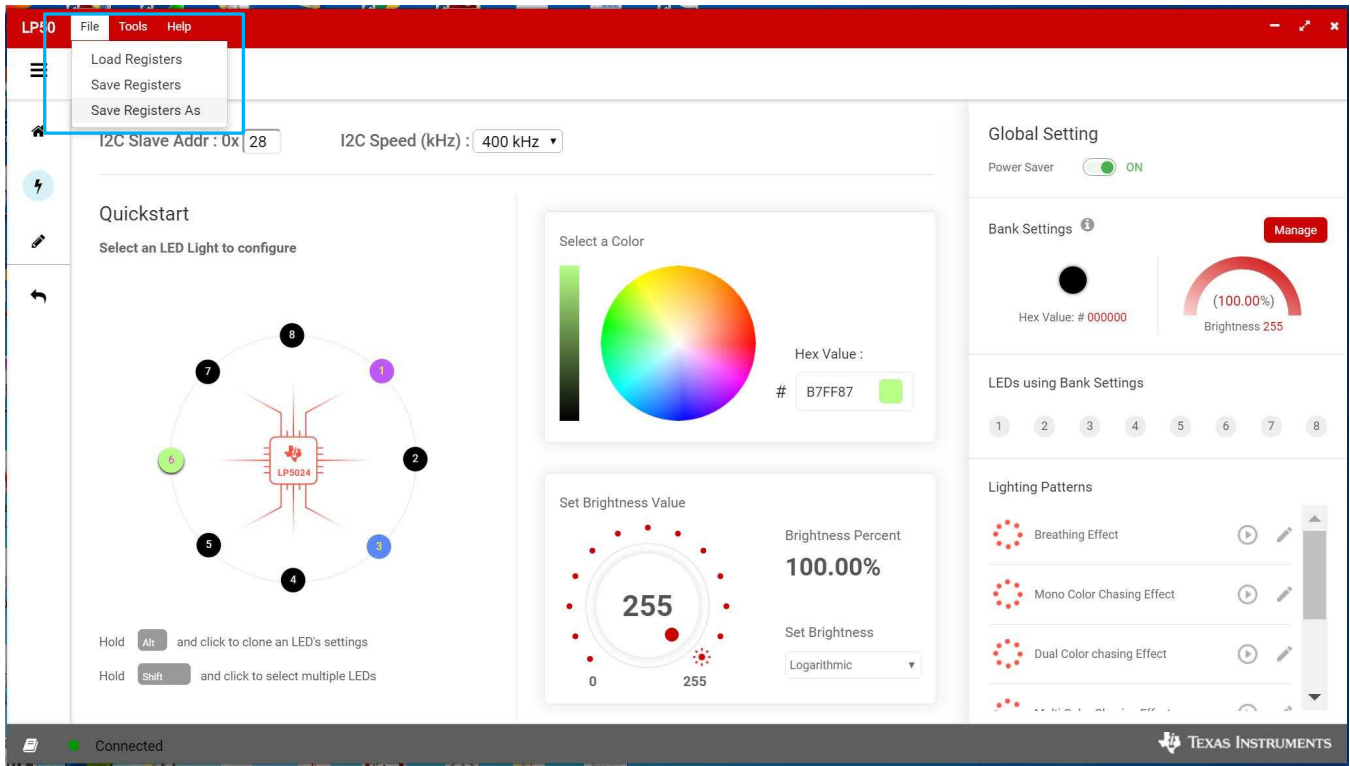


Figure 14. Tool Bar

4 Board Layout

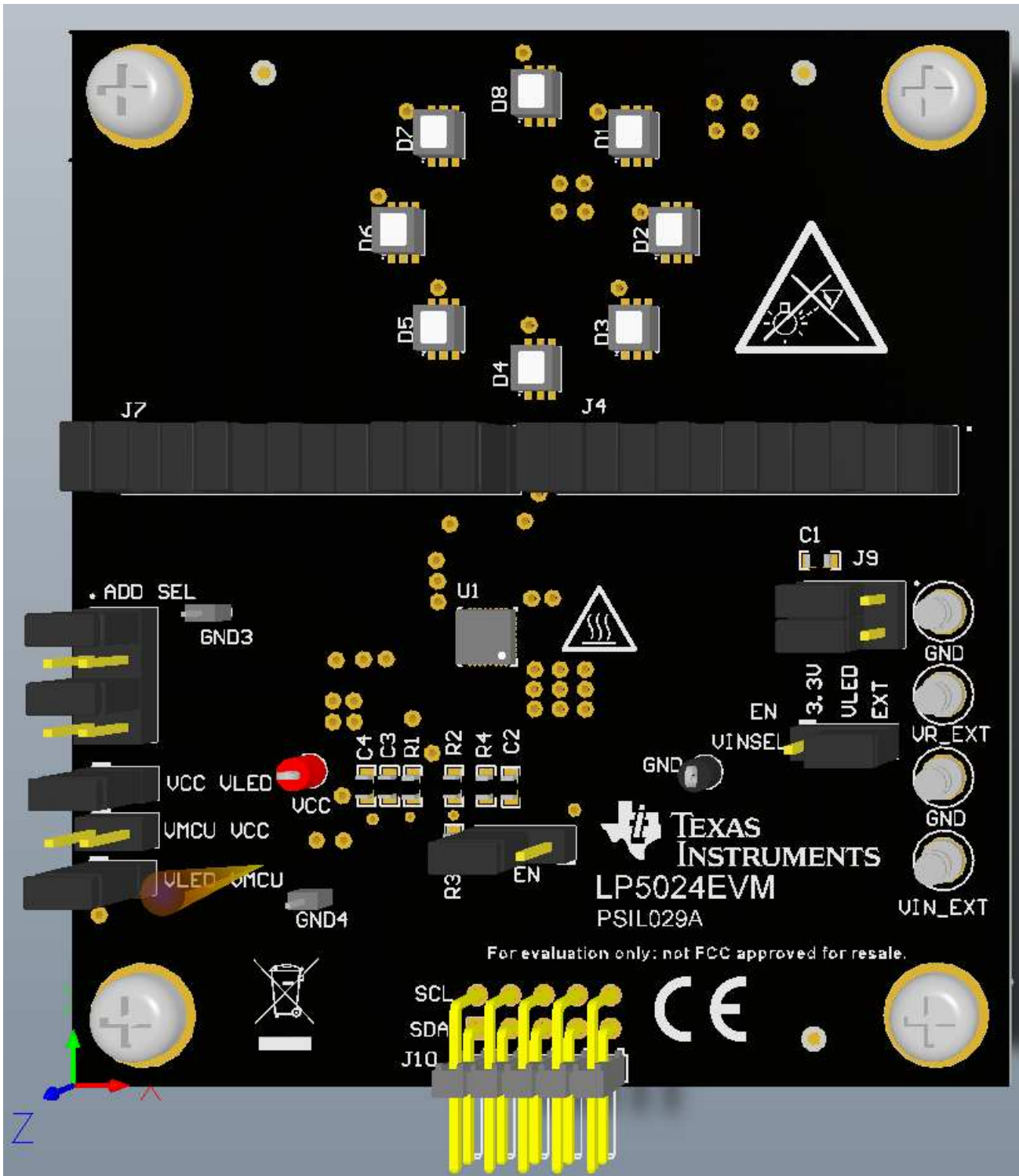


Figure 15. Top Assembly Layer



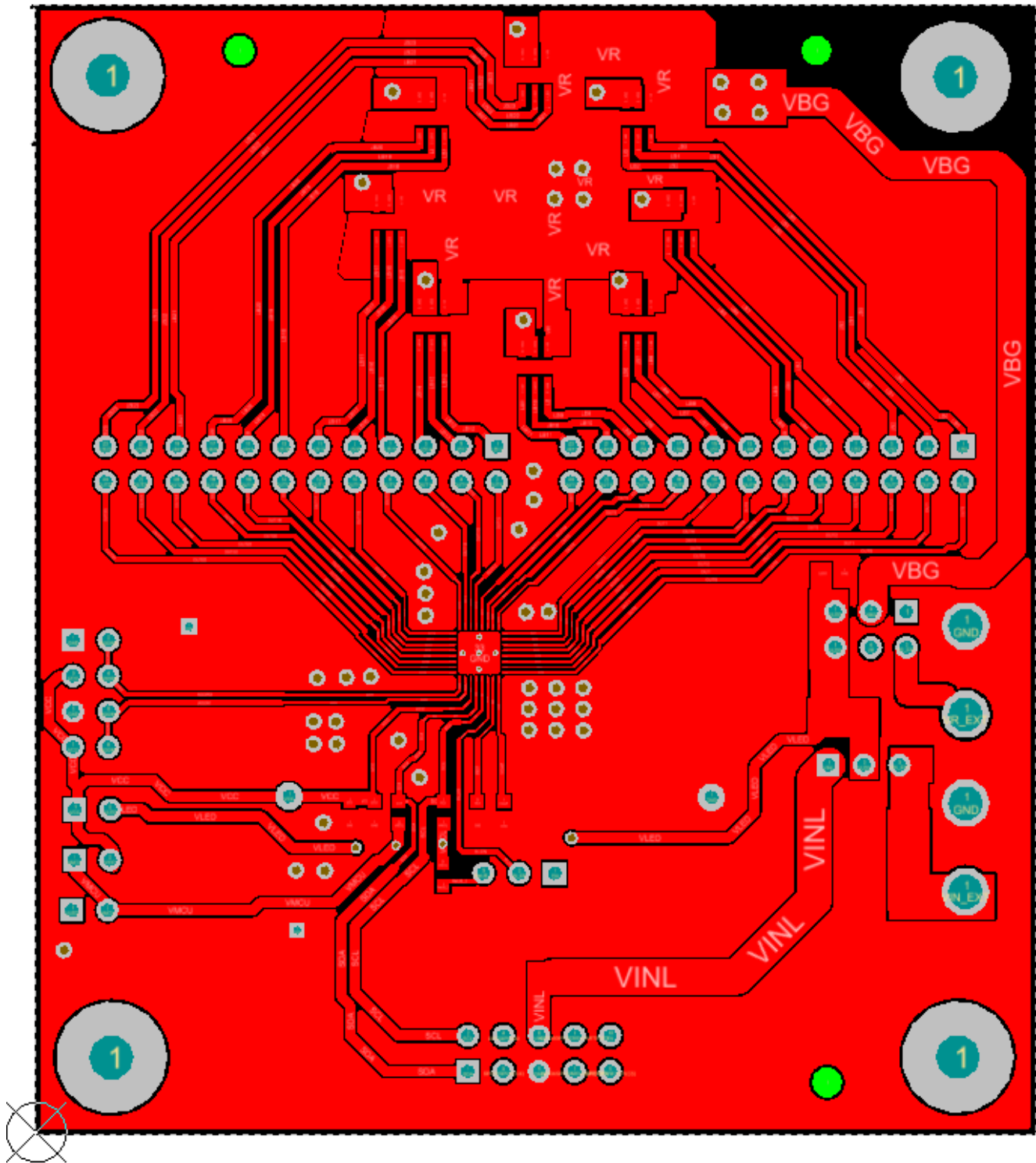


Figure 16. Top Layer Routing



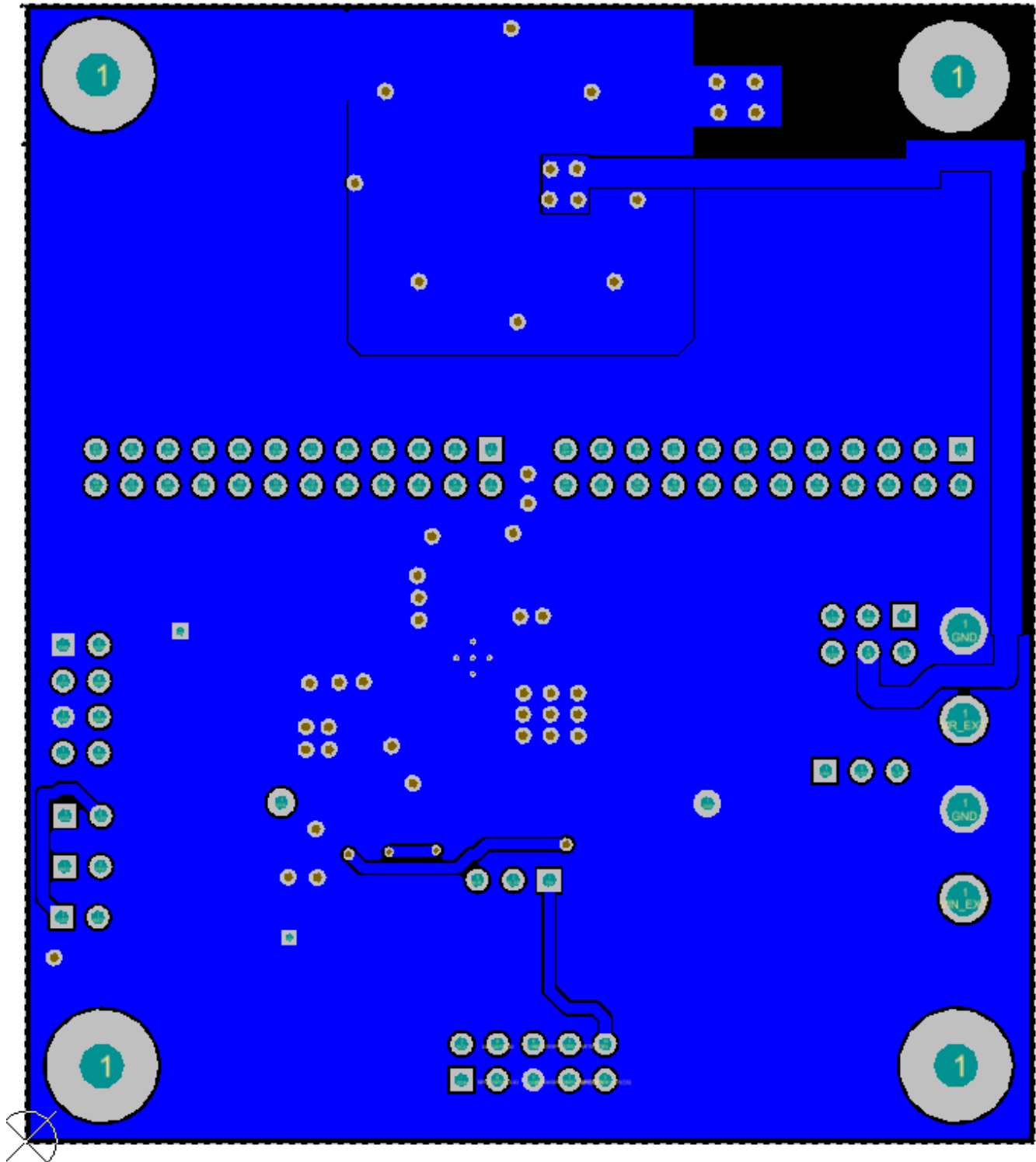
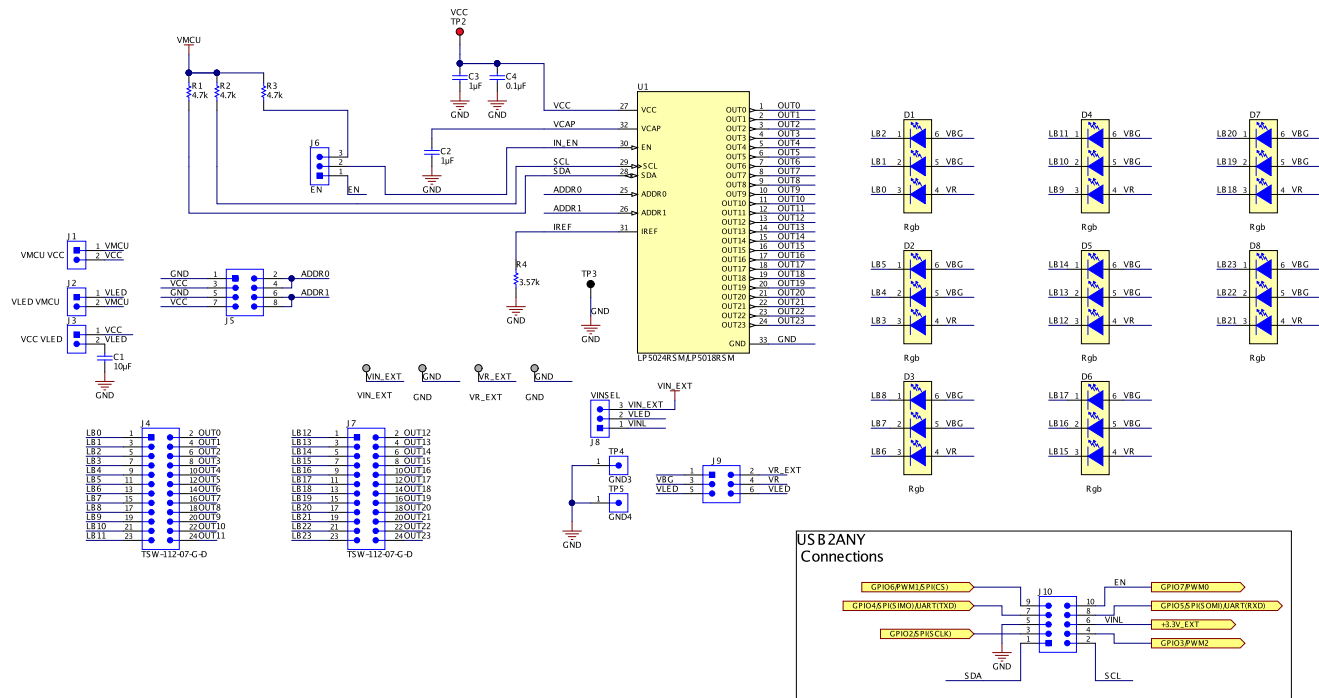


Figure 17. Bottom Layer Routing (Mirrored)

### 4.1 Schematic



Copyright © 2018, Texas Instruments Incorporated

Figure 18. LP5024EVM Schematic Diagram

## 4.2 BOM

**Table 2. Bill of Materials (BOM)**

DESIGNATOR	DESCRIPTION	MANUFACTURER	PART NUMBER	QUANTITY
C1	Capacitor, ceramic, 10- $\mu$ F, 6.3-V, $\pm$ 10%, JB, 0603	AVX	C1608JB0J106K080AB	1
C2, C3	Capacitor, ceramic, 1- $\mu$ F, 25-V, $\pm$ 10%, X7R, 0603	AVX	06033C105KAT2A	2
C4	Capacitor, ceramic, 0.1- $\mu$ F, 16-V, $\pm$ 5%, X7R, 0603	AVX	0603YC104JAT2A	1
D1, D2, D3, D4, D5, D6, D7, D8	LED, RGB, SMD	Avago	ASMT-YTC2-0AA02	8
H1, H3, H5, H7	Standoff, hex, 0.5"L #4-40 nylon	Keystone	1902C	4
H2, H4, H6, H8	Machine screw, round, #4-40 1/4, nylon, Philips pan head	B&F Fastener Supply	NY PMS 440 0025 PH	4
J1, J2, J3	Header, 100-mil, 2 $\times$ 1, gold, TH	Samtec	TSW-102-07-G-S	3
J4, J7	Header, 100-mil, 12 $\times$ 2, gold, TH	Samtec	TSW-112-07-G-D	2
J5	Header, 100-mil, 4 $\times$ 2, gold, TH	Samtec	TSW-104-07-G-D	1
J6, J8	Header, 100-mil, 3 $\times$ 1, gold, TH	Samtec	TSW-103-07-G-S	2
J9	Header, 100-mil, 3 $\times$ 2, gold, TH	Samtec	TSW-103-07-G-D	1
J10	Header, 100-mil, 5 $\times$ 2, gold, R/A, TH	Samtec	TSW-105-08-G-D-RA	1
R1, R2, R3	Resistor, 4.7-k $\Omega$ , 5%, 0.1-W, 0603	Vishay-Dale	CRCW06034K70JNEA	3
R4	Resistor, 3.57-k $\Omega$ , 1%, 0.1-W, 0603	Yageo America	RC0603FR-073K57L	1
SH1, SH2, SH3, SH4, SH5, SH6, SH7, SH8, SH9, SH10, SH11, SH12, SH13, SH14, SH15, SH16, SH17, SH18, SH19, SH20, SH21, SH22, SH23, SH24, SH25, SH26, SH27, SH28, SH29, SH30, SH31, SH32	Shunt, 100-mil, flash gold, black	Sullins Connector Solutions	SPC02SYAN	32
TP1, TP6, TP7, TP8	Terminal, turret, TH, double	Keystone	1502-2	4
TP2	Test point, miniature, red, TH	Keystone	5000	1
TP3	Test point, miniature, black, TH	Keystone	5001	1
TP4, TP5	Header, 1 $\times$ 1, Tin, TH	Samtec	TMS-101-02-T-S	2
U1	24-channel I <sup>2</sup> C constant-current RGB LED driver, RSM0032B (VQFN-32)	Texas Instruments	LP5024RSM	1

## IMPORTANT NOTICE FOR TI DESIGN INFORMATION AND RESOURCES

Texas Instruments Incorporated ("TI") technical, application or other design advice, services or information, including, but not limited to, reference designs and materials relating to evaluation modules, (collectively, "TI Resources") are intended to assist designers who are developing applications that incorporate TI products; by downloading, accessing or using any particular TI Resource in any way, you (individually or, if you are acting on behalf of a company, your company) agree to use it solely for this purpose and subject to the terms of this Notice.

TI's provision of TI Resources does not expand or otherwise alter TI's applicable published warranties or warranty disclaimers for TI products, and no additional obligations or liabilities arise from TI providing such TI Resources. TI reserves the right to make corrections, enhancements, improvements and other changes to its TI Resources.

You understand and agree that you remain responsible for using your independent analysis, evaluation and judgment in designing your applications and that you have full and exclusive responsibility to assure the safety of your applications and compliance of your applications (and of all TI products used in or for your applications) with all applicable regulations, laws and other applicable requirements. You represent that, with respect to your applications, you have all the necessary expertise to create and implement safeguards that (1) anticipate dangerous consequences of failures, (2) monitor failures and their consequences, and (3) lessen the likelihood of failures that might cause harm and take appropriate actions. You agree that prior to using or distributing any applications that include TI products, you will thoroughly test such applications and the functionality of such TI products as used in such applications. TI has not conducted any testing other than that specifically described in the published documentation for a particular TI Resource.

You are authorized to use, copy and modify any individual TI Resource only in connection with the development of applications that include the TI product(s) identified in such TI Resource. NO OTHER LICENSE, EXPRESS OR IMPLIED, BY ESTOPPEL OR OTHERWISE TO ANY OTHER TI INTELLECTUAL PROPERTY RIGHT, AND NO LICENSE TO ANY TECHNOLOGY OR INTELLECTUAL PROPERTY RIGHT OF TI OR ANY THIRD PARTY IS GRANTED HEREIN, including but not limited to any patent right, copyright, mask work right, or other intellectual property right relating to any combination, machine, or process in which TI products or services are used. Information regarding or referencing third-party products or services does not constitute a license to use such products or services, or a warranty or endorsement thereof. Use of TI Resources may require a license from a third party under the patents or other intellectual property of the third party, or a license from TI under the patents or other intellectual property of TI.

TI RESOURCES ARE PROVIDED "AS IS" AND WITH ALL FAULTS. TI DISCLAIMS ALL OTHER WARRANTIES OR REPRESENTATIONS, EXPRESS OR IMPLIED, REGARDING TI RESOURCES OR USE THEREOF, INCLUDING BUT NOT LIMITED TO ACCURACY OR COMPLETENESS, TITLE, ANY EPIDEMIC FAILURE WARRANTY AND ANY IMPLIED WARRANTIES OF MERCHANTABILITY, FITNESS FOR A PARTICULAR PURPOSE, AND NON-INFRINGEMENT OF ANY THIRD PARTY INTELLECTUAL PROPERTY RIGHTS.

TI SHALL NOT BE LIABLE FOR AND SHALL NOT DEFEND OR INDEMNIFY YOU AGAINST ANY CLAIM, INCLUDING BUT NOT LIMITED TO ANY INFRINGEMENT CLAIM THAT RELATES TO OR IS BASED ON ANY COMBINATION OF PRODUCTS EVEN IF DESCRIBED IN TI RESOURCES OR OTHERWISE. IN NO EVENT SHALL TI BE LIABLE FOR ANY ACTUAL, DIRECT, SPECIAL, COLLATERAL, INDIRECT, PUNITIVE, INCIDENTAL, CONSEQUENTIAL OR EXEMPLARY DAMAGES IN CONNECTION WITH OR ARISING OUT OF TI RESOURCES OR USE THEREOF, AND REGARDLESS OF WHETHER TI HAS BEEN ADVISED OF THE POSSIBILITY OF SUCH DAMAGES.

You agree to fully indemnify TI and its representatives against any damages, costs, losses, and/or liabilities arising out of your non-compliance with the terms and provisions of this Notice.

This Notice applies to TI Resources. Additional terms apply to the use and purchase of certain types of materials, TI products and services. These include; without limitation, TI's standard terms for semiconductor products (<http://www.ti.com/sc/docs/stdterms.htm>), [evaluation modules](#), and [samples](http://www.ti.com/sc/docs/sampterm.htm) (<http://www.ti.com/sc/docs/sampterm.htm>).

Mailing Address: Texas Instruments, Post Office Box 655303, Dallas, Texas 75265  
Copyright © 2018, Texas Instruments Incorporated