

# NCS5651MNSGEVB

## NCS5651MNSG Evaluation Board User's Manual



ON Semiconductor®

[www.onsemi.com](http://www.onsemi.com)

### Introduction

The NCS5651MNSGEVB is an evaluation board for the NCS5651 operational amplifier.

The NCS5651 is a high efficiency, class B, low distortion power line driver. It incorporates two operational amplifiers (opamps). The output opamp is designed to drive up to 2 A peak. At an output current of 1.5 A, the output voltage is guaranteed to swing within 1 V or less of either rail, giving the user improved SNR. In addition to the output amplifier, a small-signal opamp is provided which can be configured as a unity gain follower buffer or can provide a stage of a 4-pole low pass filter.

Although the NCS5651 is designed for power line communication (PLC) applications, it is equally suitable to drive actuators or motors, or for any application where a robust power amplifier is required.

For more information refer to [1, 2, 3].

### EVAL BOARD USER'S MANUAL

#### Description

The evaluation boards are small ( $26 \times 23.5 \text{ mm}^2$ ) printed circuit boards (Figure 1) carrying the NCS5651 line driver. The schematic is appended at the end of this document.

An NCP4640H033 linear regulator is provided to derive the 3.3 V  $V_{uc}$  voltage. The latter determines the output voltage of the warning output pins of the line driver. These three pins (viz. the thermal warning flag, the thermal shutdown flag, and the current limitation flag) are connected to LEDs.

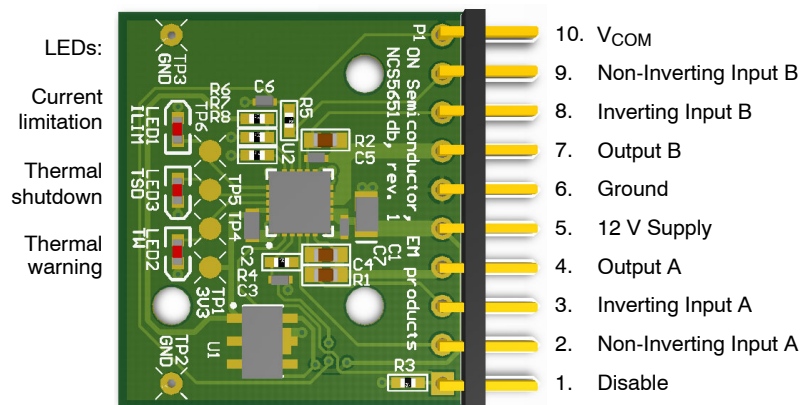


Figure 1. NCS5651MNSGEVB Outline

A 2.54 mm-pitch header with ten pins brings the most important signals outside.

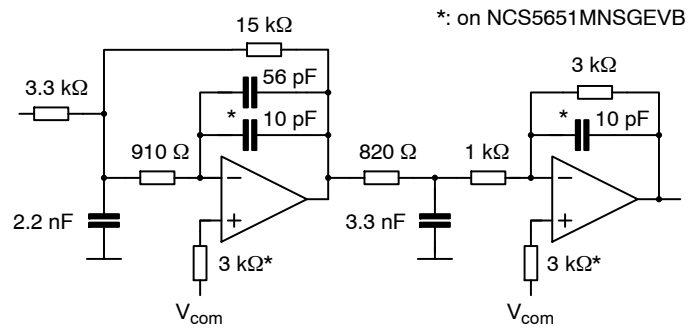
Besides the ground and 12 V supply pin, these include the line driver disable and 6 V  $V_{com}$  bias voltage generated by the line driver. Both signals can be left open if unused.

All pins of the two operational amplifiers are available on the header. As a result, any opamp topology can be realized by fitting the appropriate external feedback and biasing network.

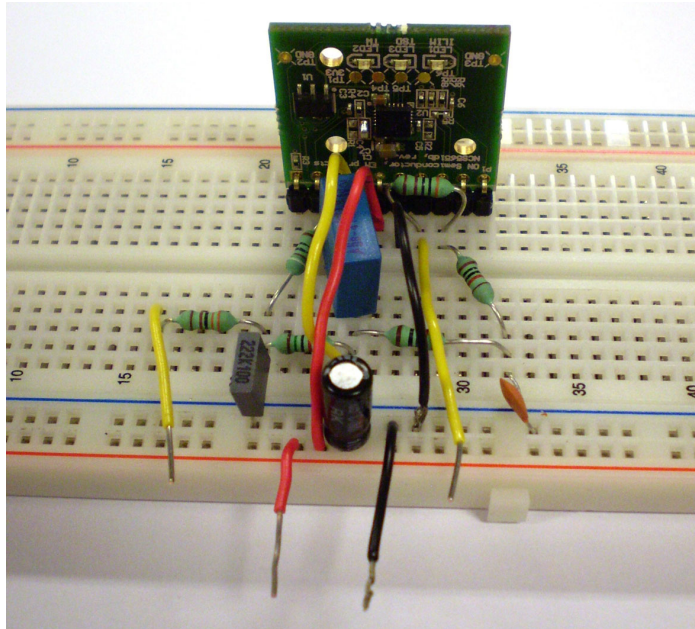
To ensure stability, 10 pF ceramic capacitors are fitted on the board between the inverting input and the output of each opamp. This must be taken into account if an external capacitance is added, as is the case with a multi-feedback (MFB) topology.

For convenience, a 3 k $\Omega$  resistor is also fitted between the non-inverting input and  $V_{com}$ . If this biasing is not required, for instance to realize a Sallen and Key filter topology, the resistor should be removed.

## NCS5651MNSGEVB



**Figure 2. Recommended Transmission Filter for PLC with PL110 Carrier Frequencies**



**Figure 3. The Schematic of Figure 2 Built on Breadboard with an NCS5651MNSGEVB**

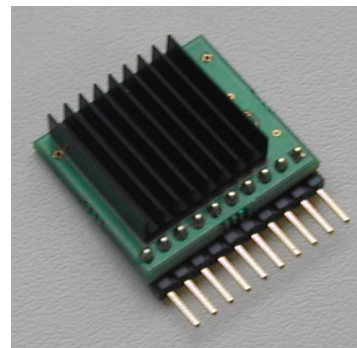
### Application Ideas

The size and header of the evaluation board make it perfectly suited for breadboarding. For instance, Figure 2 shows the recommended transmission filter for PLC S-FSK\* with the PL110 carrier frequencies (105 and 115 kHz). This schematic is easily realized on breadboard (Figure 3).

Some applications require a lower copper-to-ambient thermal resistance ( $R_{CuA}$ ) to improve line driver cooling. The board design makes it possible to fit a heat sink on the bottom side: solder mask openings and mounting holes are foreseen.

The heat sink can be mounted with thermally conducting adhesive tape (Figure 4). For more information on cooling, refer to [1, 4].

Fischer Elektronik ICK SMD B 19 SA is recommended. It may be obtained through Farnell (ref. 4302266) or Newark (ref. 34M6437).



**Figure 4. Adding a Heat Sink to Improve Cooling**

\*Spread-frequency shift keying (S-FSK) is a modulation scheme widely used in power line communication (PLC). It combines simplicity (and thus allows a low cost implementation) with good resilience.

# NCS5651MNSGEVB

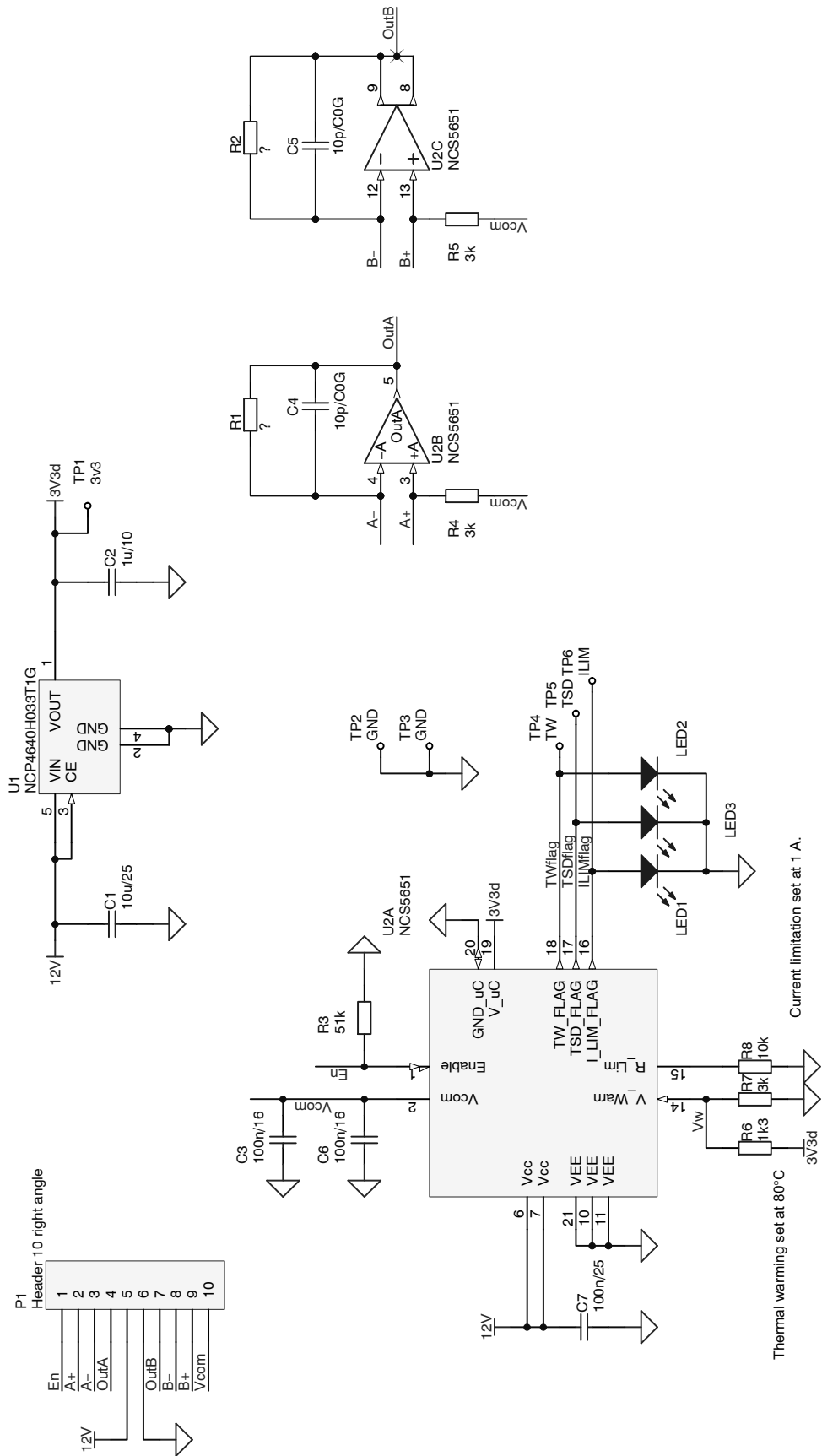


Figure 5. NCS5651MNSGEVB Schematic

## NCS5651MNSGEVB

### References

- [1] ON Semiconductor. Evaluation kit for power-line communication user manual, December 2014.
- [2] ON Semiconductor. Getting started with power line communication (application note AND9165/D), June 2014. Online at [www.onsemi.com/pub\\_link/Collateral/AND9165-D.PDF](http://www.onsemi.com/pub_link/Collateral/AND9165-D.PDF).
- [3] ON Semiconductor. NCS5651 2 Amp PLC line driver datasheet, December 2014. Online at [www.onsemi.com/pub\\_link/Collateral/NCS5651-D.PDF](http://www.onsemi.com/pub_link/Collateral/NCS5651-D.PDF).
- [4] ON Semiconductor, Roger Stout. Thermal considerations for the NCS5651 (application note AND8402/D), August 2014. Online at [www.onsemi.com/pub\\_link/Collateral/AND8402-D.PDF](http://www.onsemi.com/pub_link/Collateral/AND8402-D.PDF).

**onsemi**, **Onsemi**, and other names, marks, and brands are registered and/or common law trademarks of Semiconductor Components Industries, LLC dba "**onsemi**" or its affiliates and/or subsidiaries in the United States and/or other countries. **onsemi** owns the rights to a number of patents, trademarks, copyrights, trade secrets, and other intellectual property. A listing of **onsemi**'s product/patent coverage may be accessed at [www.onsemi.com/site/pdf/Patent-Marking.pdf](http://www.onsemi.com/site/pdf/Patent-Marking.pdf). **onsemi** is an Equal Opportunity/Affirmative Action Employer. This literature is subject to all applicable copyright laws and is not for resale in any manner.

The evaluation board/kit (research and development board/kit) (hereinafter the "board") is not a finished product and is not available for sale to consumers. The board is only intended for research, development, demonstration and evaluation purposes and will only be used in laboratory/development areas by persons with an engineering/technical training and familiar with the risks associated with handling electrical/mechanical components, systems and subsystems. This person assumes full responsibility/liability for proper and safe handling. Any other use, resale or redistribution for any other purpose is strictly prohibited.

**THE BOARD IS PROVIDED BY ONSEMI TO YOU "AS IS" AND WITHOUT ANY REPRESENTATIONS OR WARRANTIES WHATSOEVER. WITHOUT LIMITING THE FOREGOING, ONSEMI (AND ITS LICENSORS/SUPPLIERS) HEREBY DISCLAIMS ANY AND ALL REPRESENTATIONS AND WARRANTIES IN RELATION TO THE BOARD, ANY MODIFICATIONS, OR THIS AGREEMENT, WHETHER EXPRESS, IMPLIED, STATUTORY OR OTHERWISE, INCLUDING WITHOUT LIMITATION ANY AND ALL REPRESENTATIONS AND WARRANTIES OF MERCHANTABILITY, FITNESS FOR A PARTICULAR PURPOSE, TITLE, NON-INFRINGEMENT, AND THOSE ARISING FROM A COURSE OF DEALING, TRADE USAGE, TRADE CUSTOM OR TRADE PRACTICE.**

**onsemi** reserves the right to make changes without further notice to any board.

You are responsible for determining whether the board will be suitable for your intended use or application or will achieve your intended results. Prior to using or distributing any systems that have been evaluated, designed or tested using the board, you agree to test and validate your design to confirm the functionality for your application. Any technical, applications or design information or advice, quality characterization, reliability data or other services provided by **onsemi** shall not constitute any representation or warranty by **onsemi**, and no additional obligations or liabilities shall arise from **onsemi** having provided such information or services.

**onsemi** products including the boards are not designed, intended, or authorized for use in life support systems, or any FDA Class 3 medical devices or medical devices with a similar or equivalent classification in a foreign jurisdiction, or any devices intended for implantation in the human body. You agree to indemnify, defend and hold harmless **onsemi**, its directors, officers, employees, representatives, agents, subsidiaries, affiliates, distributors, and assigns, against any and all liabilities, losses, costs, damages, judgments, and expenses, arising out of any claim, demand, investigation, lawsuit, regulatory action or cause of action arising out of or associated with any unauthorized use, even if such claim alleges that **onsemi** was negligent regarding the design or manufacture of any products and/or the board.

This evaluation board/kit does not fall within the scope of the European Union directives regarding electromagnetic compatibility, restricted substances (RoHS), recycling (WEEE), FCC, CE or UL, and may not meet the technical requirements of these or other related directives.

FCC WARNING – This evaluation board/kit is intended for use for engineering development, demonstration, or evaluation purposes only and is not considered by **onsemi** to be a finished end product fit for general consumer use. It may generate, use, or radiate radio frequency energy and has not been tested for compliance with the limits of computing devices pursuant to part 15 of FCC rules, which are designed to provide reasonable protection against radio frequency interference. Operation of this equipment may cause interference with radio communications, in which case the user shall be responsible, at its expense, to take whatever measures may be required to correct this interference.

**onsemi** does not convey any license under its patent rights nor the rights of others.

LIMITATIONS OF LIABILITY: **onsemi** shall not be liable for any special, consequential, incidental, indirect or punitive damages, including, but not limited to the costs of requalification, delay, loss of profits or goodwill, arising out of or in connection with the board, even if **onsemi** is advised of the possibility of such damages. In no event shall **onsemi**'s aggregate liability from any obligation arising out of or in connection with the board, under any theory of liability, exceed the purchase price paid for the board, if any.

The board is provided to you subject to the license and other terms per **onsemi**'s standard terms and conditions of sale. For more information and documentation, please visit [www.onsemi.com](http://www.onsemi.com).

## ADDITIONAL INFORMATION

### TECHNICAL PUBLICATIONS:

Technical Library: [www.onsemi.com/design/resources/technical-documentation](http://www.onsemi.com/design/resources/technical-documentation)  
onsemi Website: [www.onsemi.com](http://www.onsemi.com)

ONLINE SUPPORT: [www.onsemi.com/support](http://www.onsemi.com/support)

For additional information, please contact your local Sales Representative at [www.onsemi.com/support/sales](http://www.onsemi.com/support/sales)