

LMK61E2-156M25EVM
LMK61A2-156M25EVM
LMK61E2-312M50EVM
LMK61A2-312M50EVM
LMK61E2-100M00EVM
LMK61A2-100M00EVM
LMK61I2-100M00EVM
LMK61E2-125M00EVM
LMK61A2-125M00EVM

User's Guide



User's Guide for LMK61XX EVMs

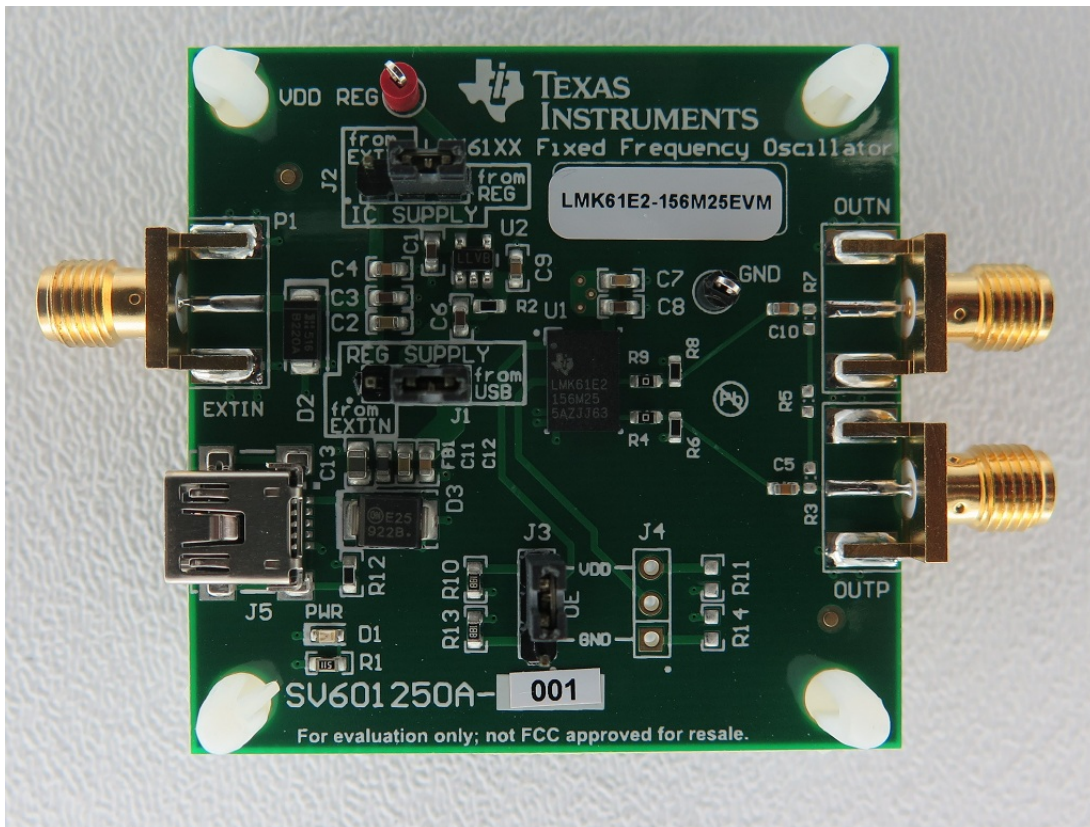


Figure 1. LMK61E2-156M25EVM Photo

Table 1. Ordering Information

EVM ID	DEVICE ID	DEVICE PACKAGE
LMK61E2-156M25EVM	LMK61E2-156M25SIA	5 mm x 7 mm 8-pin QFM (SIA)
LMK61A2-156M25EVM	LMK61A2-156M25SIA	
LMK61E2-312M50EVM	LMK61E2-312M50SIA	
LMK61A2-312M50EVM	LMK61A2-312M50SIA	
LMK61E2-100M00EVM	LMK61E2-100M00SIA	
LMK61A2-100M00EVM	LMK61A2-100M00SIA	
LMK61I2-100M00EVM	LMK61I2-100M00SIA	
LMK61E2-125M00EVM	LMK61E2-125M00SIA	
LMK61A2-125M00EVM	LMK61A2-125M00SIA	

1 Overview

The LMK61XX EVM provides a complete platform to evaluate the clock performance of the Texas Instruments LMK61XX Ultra-Low Jitter Crystal Oscillator family with a diverse selection of output frequencies and format.

The LMK61XX EVM can be used as a clock source for compliance testing, performance evaluation, and initial system prototyping. The onboard edge-launch SMA ports provides access to the LMK61XX ultra low jitter clock outputs for interfacing to test equipment and reference boards using commercially available coaxial cables, adapters, or baluns (not included). This connectivity enables integrated system level testing between TI's LMK61XX and third-party FPGA/ASIC/SoC reference boards.

2 Features

- Preconfigured onboard terminations
- Flexible EVM power options
 - Ultra Low Noise LP5907 LDO for supply input up to 5.5 V
 - mini USB or edge launch SMA
- Small Form Factor (2" x 1.8")

3 EVM Configuration

The LMK61XX is a ultra low jitter crystal oscillator with simple power supply requirements and comes in a wide variety of output formats and frequencies. To support a wide range of evaluation use cases, the EVM was designed for maximum flexibility so various configurations options that are not required in all typical system applications have been included. Several default EVM configurations are available to easily evaluate the performance of LMK61XX oscillator family members.

This section describes the jumpers and connectors on the EVM, as well as how to connect, set-up, and use the LMK61XX EVM. When operating the LMK61XX EVM, the power supply and clock outputs can be connected to the SMA ports shown in [Figure 2](#). Additionally, the USB port can be used to power the entire LMK61XX EVM without the need for external power supplies. These SMA ports are labeled in the top silkscreen layer.

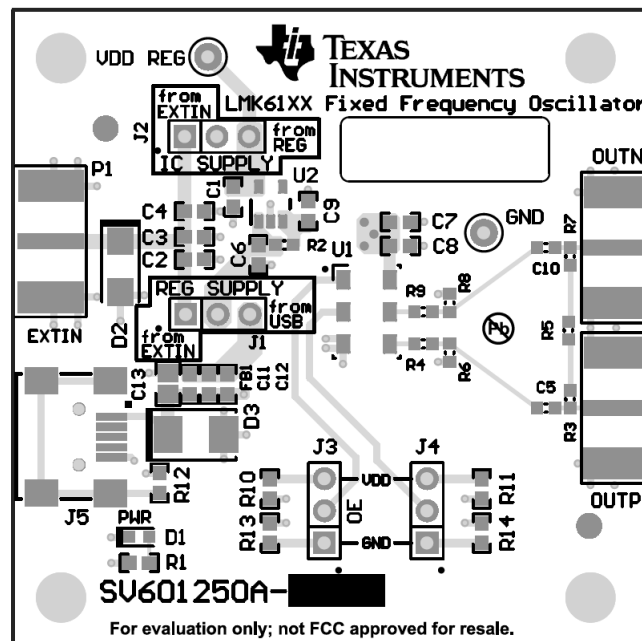


Figure 2. LMK61XX EVM Board Layout

3.1 Configuring the Power Supply

The LMK61XX devices feature a single VDD supply pin that operates from 3.3V (+ 5%). This supply can be powered directly on the EVM from an external supply or through an on-board LDO regulator. Although the LMK61XX oscillators have integrated LDO regulators for excellent power-supply-ripple-rejection (PSRR), the EVM's on-board regulator (U1) can allow a higher supply voltage (up to 5.5 V) to power the EVM. The direct external supply or on-board regulator can be independently routed for the VDD supply pin by configuring the power terminals and jumpers shown in [Figure 3](#). J7 (USB mini connector) is the default power supply for the EVM, featuring a low noise regulator for voltage step down. Power SMA Port EXTIN (P1) provides an alternative connector style to apply power using coax cables. Using EXTIN while connected to USB power is not required but can be useful when testing with externally regulated supplies.

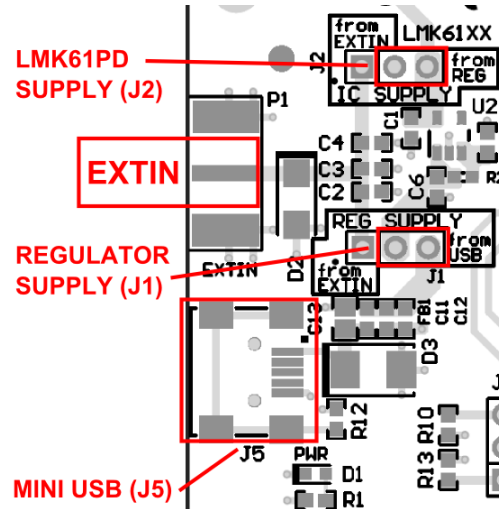


Figure 3. Power Terminals and Jumpers

[Table 2](#) summarizes the EVM power configurations to connect and route power to the onboard LDOs and LMK61XX oscillator. Refer to the EVM schematic for more details.

Table 2. Power Configurations

MODE	EXTIN VOLTAGE	J1 SETTING ⁽¹⁾	J2 SETTING ⁽¹⁾
USB Powered ⁽²⁾		from USB	from REG
External Power + LDO	4.3 V to 5.5 V	from EXTIN	
External Power	3.3 V	Remove Jumper	from EXTIN

⁽¹⁾ Markings surrounding J1 or J2 indicate the orientation of jumper settings

⁽²⁾ USB cable must be connected to J7 for operation

NOTE: Power delivery over the USB interface is subject to limitations of specific USB ports. Certain systems may require the use of an external supplied power source for proper operation.

3.2 Configuring the Control Pins

The LMK61XX EVM has a single control pin dedicated to output enable control. Jumper J3 is routed to Pin 1 of the LMK61XX device for Output Enable control. The positive logic of the OE pin is described in [Table 3](#).⁽¹⁾

⁽¹⁾ Jumper J4 is for evaluation of devices that feature control on Pin 2. LMK61XX devices require Pin 2 to have No Connection.

Table 3. Control Pin Interface

COMPONENT	NAME	DESCRIPTION	
J3	OE	OE (Output Enable) state disables oscillator output while keeping PLL circuitry active.	
		OE	Output Status
		GND	Output Disabled
		VDD	Output Enabled

3.3 Configuring the Clock Output

The LMK61XX's differential output is routed via 50 ohm single ended traces to SMA ports (OUTN and OUTP) through AC coupling capacitors. Depending on the EVM variant (LVPECL, LVDS, or HCSL devices), the default population of series resistors (R4 and R9), emitter resistors (R6 and R8), and differential resistors (R3, R5, and R7) are pre-populated to recommended values. Although reconfiguring of the EVM is not required, common output format terminations are shown in [Table 4](#). The output termination schematic is shown in [Figure 4](#), which is common to all EVM variants.

Table 4. Output Termination Schemes

OUTPUT FORMAT	COUPLING ⁽¹⁾	COMPONENT	VALUE
LVPECL	AC	R4, R9	0 Ω
		R6, R8	150 Ω
		C5, C10	0.01 μF
		R3, R5, R7	DNP
	DC ⁽²⁾	R4, R9, C5, C10	0 Ω
		R3, R5, R6, R7, R8	DNP
LVDS ⁽³⁾	AC	R3, R4, R7, R9	0 Ω
		R5	100 Ω
		C5, C10	0.01 μF
		R6, R8	DNP
	DC	R3, R4, R7, R9, C5, C10	0 Ω
		R5	100 Ω
HCSL	AC	R4, R9	0 Ω
		R6, R8	50 Ω
		C5, C10	0.01 μF
		R3, R5, R7	DNP
	DC	R4, R9	0 Ω
		R6, R8	50 Ω
		C5, C10	0 Ω
		R3, R5, R7	DNP

⁽¹⁾ All variants are AC coupled by default.

⁽²⁾ 50 ohm to Vcc-2 V termination is required on receiver.

⁽³⁾ 100 ohm differential termination (R5) is provided on the LMK61XX EVM. Removing the differential termination on the EVM is possible if the differential termination is available on the receiver.

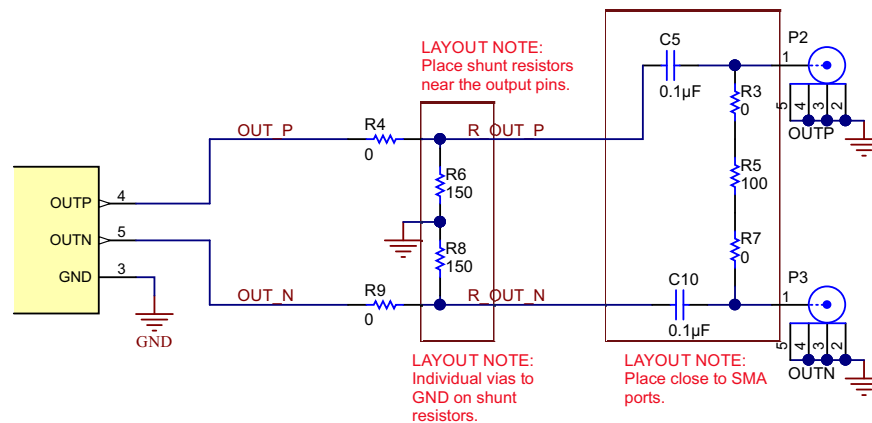


Figure 4. LMK61XX Termination Schematic

4 EVM Quick Start Guide

The following guide allows the user to quickly configure the LMK61XX EVM to evaluate performance.

1. Confirm the EVM power configuration is set accordingly per [Table 2](#). By default, the LMK61XX power jumpers are configured in USB Powered mode using the on-board LDO and is supplied power over USB.
2. Ensure the OE jumper (J3) is set to VDD
3. Observe any active output clock on OUTN and OUTP SMA ports.
 - (a) Default EVM configurations are AC coupled and terminations are preconfigured per each device variant (LVPECL, LVDS, or HCSL).
 - (b) Use 50 Ω coax cables to connect the test equipment to the output SMA ports. If single-ended measurements are being made, ensure to terminate the unused SMA port with a 50 Ω load.
 - (c) Power LED D1 should be illuminated when the EVM is powered on.
4. OE can be toggled to enable or disable the output status per [Table 3](#).

5 Recommended Test Equipment

For making accurate measurements on ultra-low noise/jitter, high-speed clock signals, the following instruments are recommended:

- Source Signal Analyzer: Keysight/Agilent E5052 for phase noise/jitter measurements
- Oscilloscope: Agilent DSA90000A series (or equivalent) for AC measurements and time-domain jitter analysis with jitter software package
- Balun: M/A-COM H-183-4 (30-3000 MHz) 180° coupler, or equivalent

6 Example Performance Measurements

RMS Jitter and phase noise measurements were taken on the differential output clock was measured using a balun to a Keysight/Agilent E5052B. Some phase noise plots are provided below.

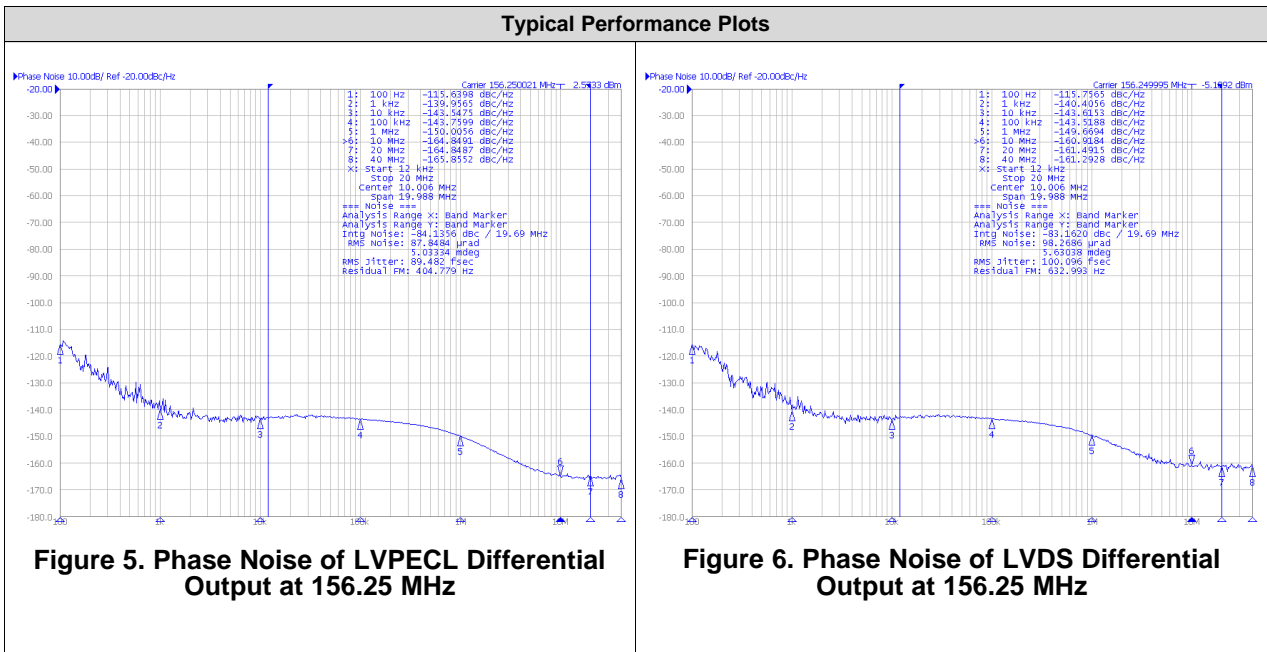
Table 5. Typical Output RMS Jitter Summary⁽¹⁾⁽²⁾

Parameter	Test Conditions	RMS Jitter (fs),12k-20M band, spurs off	MIN	TYP	MAX	Unit
RJ	RMS Phase Jitter ⁽³⁾ (12 kHz - 20 MHz) (1 kHz - 5 MHz)	$f_{OUT} \geq 100$ MHz, Integer-N PLL, All Output Types		100	200	fs RMS

(1) Phase Jitter measured with Agilent E5052 signal source analyzer using differential to single ended converter (buffer or balun.)

(2) All measurements are AC coupled with recommended board terminations as in Table 4.

(3) Ensured by characterization.



7 EVM Design

7.1 EVM Layout

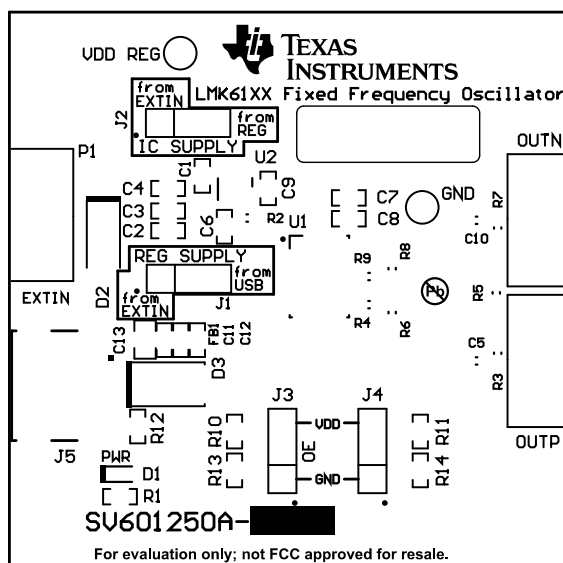


Figure 7. Top Overlay

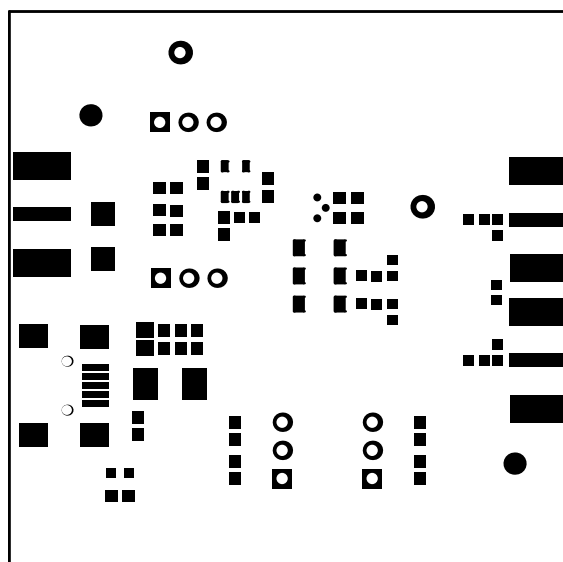


Figure 8. Top Solder Mask

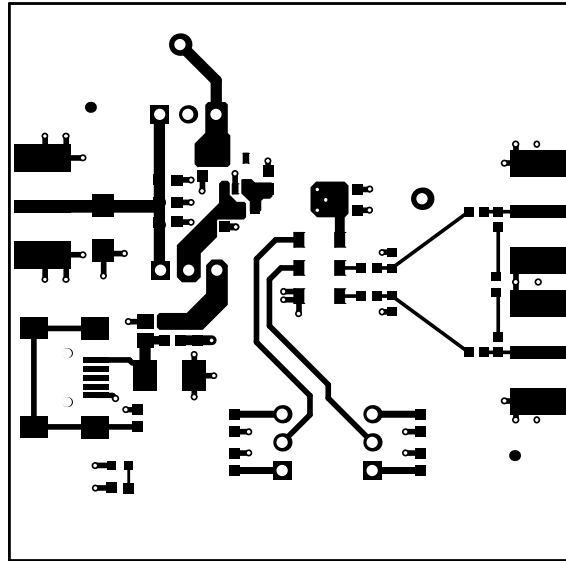


Figure 9. Layer 1 (Top Side)

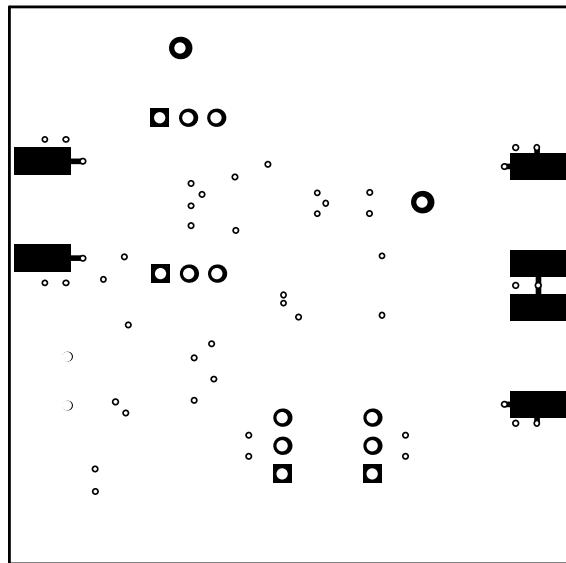


Figure 10. Layer 4 (Bottom Side, View From Bottom)

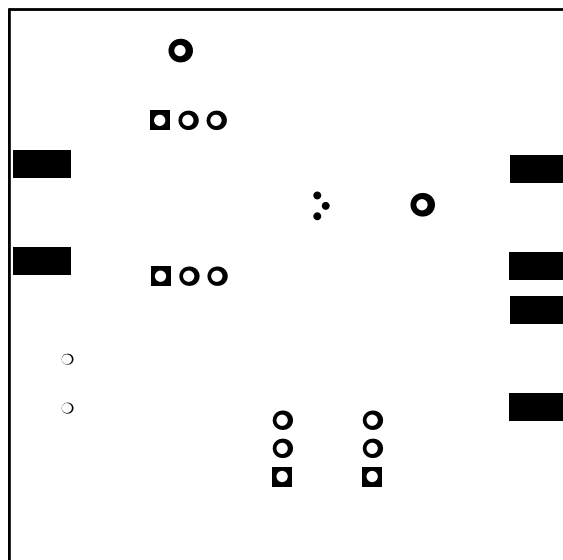
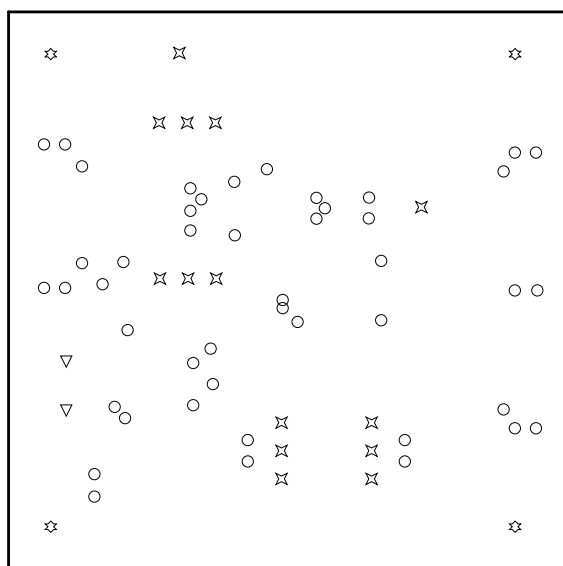


Figure 11. Bottom Solder Mask



Symbol	Hit Count	Tool Size	Plated	Hole Type
○	46	13mil (0.33mm)	PTH	Round
▽	2	35.433mil (0.9mm)	NPTH	Round
⊠	14	40mil (1.016mm)	PTH	Round
☆	4	157mil (3.988mm)	NPTH	Round
	66 Total			

Figure 12. Drill Drawing

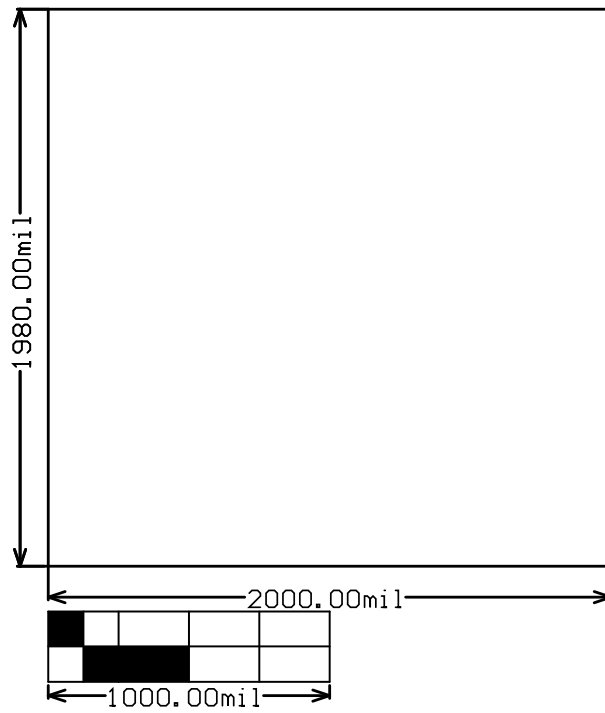


Figure 13. Board Dimensions

7.2 EVM Schematics

DIMENSIONS:

- Rectangular shape with height minimized (SMA spacing + board stand offs)
- Final PCB thickness 62 mil +/- 10% ****

STACKUP:

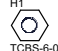
- Layer 1: Device layer, Power/GPIO Jumper/Switches, RF microstrip from DUT to SMA, USB connector, Silkscreens + Labeling
- ==== FR4: 8 mil
- Layer 2: Ground Plane
- ==== FR4: 38 mil
- Layer 3: Split Power planes for USB circuitry and DUT circuitry
- ==== FR4: 8
- Layer 4: USB circuitry

Controlled Impedance Traces

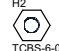
- TOP: 13 mil traces to be 50 ohm Z_0 +/- 5% reference to L2

HARDWARE AND MARKINGS

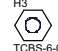
LAYOUT NOTE:
Place 4 standoffs at corners of board.



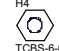
H1
TCBS-6-01




H2
TCBS-6-01




H3
TCBS-6-01



H4
TCBS-6-01



FID1



FID2

PCB LOGO
Pb-Free Symbol

PCB LOGO
FCC disclaimer

PCB LOGO
Texas Instruments

PCB Label
Size: 0.65" x 0.20"

PCB Number: SV601250
 PCB Rev: A

Label Table	
Variant	Label Text
001	LMK61E2-156M25EVM
002	LMK61A2-156M25EVM
003	LMK61E2-312M50EVM
004	LMK61A2-312M50EVM
005	LMK61E2-100M00EVM
006	LMK61A2-100M00EVM
007	LMK61I2-100M00EVM
008	LMK61E2-125M00EVM
009	LMK61A2-100M00EVM

ASSEMBLY NOTES

ZZ1
Label Assembly Note
This Assembly Note is for PCB labels only

ZZ2
Assembly Note
These assemblies are ESD sensitive, ESD precautions shall be observed.

ZZ3
Assembly Note
These assemblies must be clean and free from flux and all contaminants. Use of no clean flux is not acceptable.

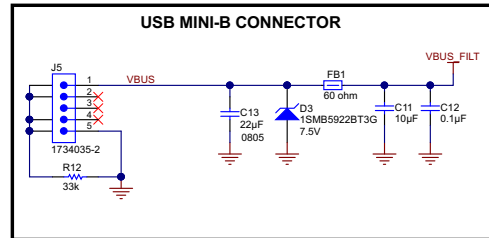
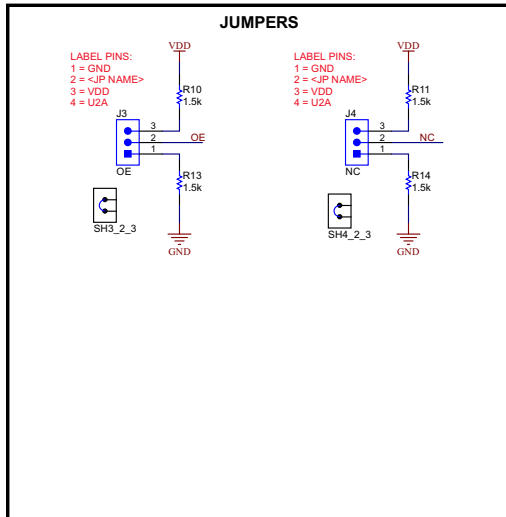
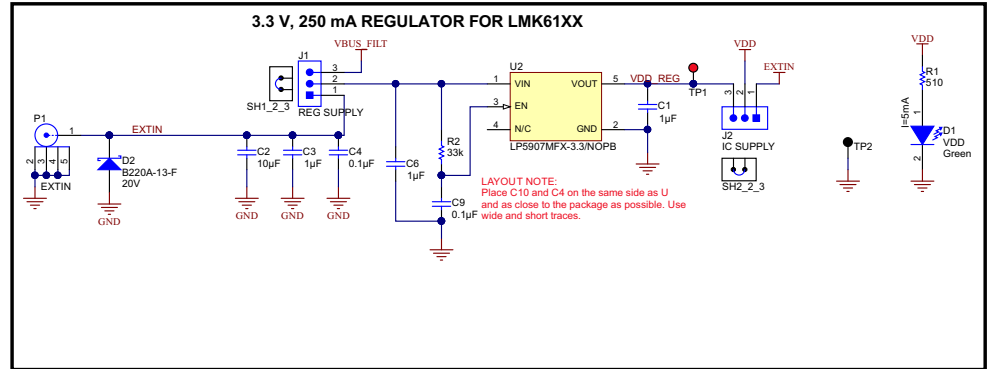
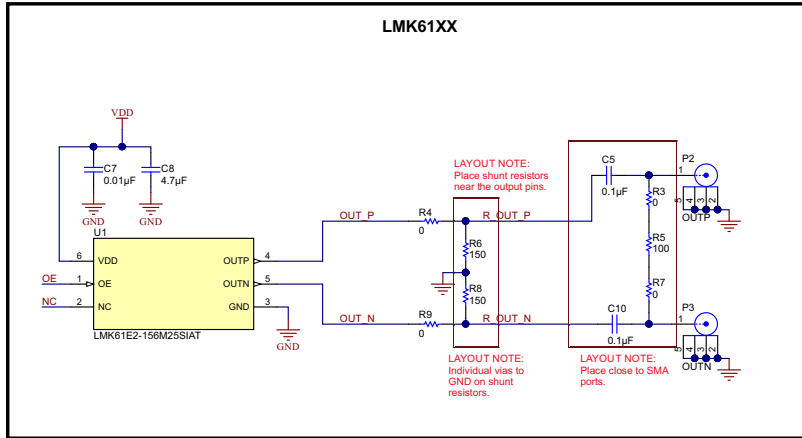
ZZ4
Assembly Note
These assemblies must comply with workmanship standards IPC-A-610 Class 2, unless otherwise specified.

ZZ5
Assembly Note
Default Shunt settings: SH1_2_3 means short Pins 2-3 of J2 jumper.

ZZ6
Assembly Note
Default Shunt settings: SH2_2_3 means short Pins 2-3 of J3 jumper.

ZZ7
Assembly Note
Default Shunt settings: SH3_2_3 means short Pins 2-3 of J5 jumper.

ZZ8
Assembly Note
Default Shunt settings: SH4_2_3 means short Pins 2-3 of J6 jumper.



7.3 EVM Bill of Materials⁽¹⁾

⁽¹⁾ Bill of Materials is configured for LVPECL AC. For LVDS and HCSL variants, see [Table 4](#).

DESIGNATOR	DESCRIPTION	MFR	PART NUMBER	QTY
C1, C3, C6	CAP, CERM, 1uF, 10V, +/-10%, X5R, 0603	Kemet	C0603C105K8PACTU	3
C2, C11	CAP, CERM, 10uF, 10V, +/-20%, X5R, 0603	TDK	C1608X5R1A106M	2
C4, C5, C9, C10, C12	CAP, CERM, 0.1uF, 16V, +/-5%, X7R, 0603	Kemet	C0603C104J4RACTU	5
C7	CAP, CERM, 0.01 uF, 100 V, +/-5%, X7R, 0603	AVX	06031C103JAT2A	1
C8	CAP, CERM, 4.7 uF, 10 V, +/-10%, X5R, 0603	Kemet	C0603C475K8PACTU	1
C13	CAP, CERM, 22uF, 10V, +/-20%, X5R, 0805	Taiyo Yuden	LMK212BJ226MG-T	1
D1	LED, Green, SMD	Lite-On	LTST-C190GKT	1
D2	Diode, Schottky, 20V, 2A, SMA	Diodes Inc.	B220A-13-F	1
D3	Diode, Zener, 7.5V, 550mW, SMB	ON Semiconductor	1SMB5922BT3G	1
FB1	Ferrite Bead, 60 ohm @ 100 MHz, 3.5 A, 0603	TDK	MPZ1608S600A	1
H1, H2, H3, H4	HEX STANDOFF SPACER, 9.53 mm	Richco Plastics	TCBS-6-01	4
J1, J2, J3	Header, 100mil, 3x1, Gold, TH	Samtec	TSW-103-07-G-S	3
J5	Connector, Receptacle, Mini-USB Type B, R/A, Top Mount SMT	TE Connectivity	1734035-2	1
P1, P2, P3	Connector, End launch SMA, 50 ohm, SMT	Emerson Network Power	142-0701-851	3
PCB1	Printed Circuit Board	Any	SV601249	1
R1	RES, 510, 5%, 0.1 W, 0603	Vishay-Dale	CRCW0603510RJNEA	1
R2, R12	RES, 33k ohm, 5%, 0.1W, 0603	Vishay-Dale	CRCW060333K0JNEA	2
R4, R9	RES, 0 ohm, 5%, 0.1W, 0603	Vishay-Dale	CRCW06030000Z0EA	2
R6, R8	RES, 150, 5%, 0.1 W, 0603	Vishay-Dale	CRCW0603150RJNEA	2
R10, R13	RES, 1.5k ohm, 5%, 0.1W, 0603	Vishay-Dale	CRCW06031K50JNEA	2
SH1_2_3, SH2_2_3, SH3_2_3	Shunt, 100mil, Gold plated, Black	3M	969102-0000-DA	3
TP1	Test Point, Miniature, Red, TH	Keystone	5000	1
TP2	GND	Keystone	5001	1
U1	High-Performance Ultra-Low Jitter Oscillator, SIA0006A	Texas Instruments	LMK61E2-156M25SIAT	1
U2	ULTRA LOW-NOISE, 250-mA LINEAR REGULATOR FOR RF AND ANALOG CIRCUITS REQUIRES NO BYPASS CAPACITOR, DBV0005A	Texas Instruments	LP5907MFX-3.3/NOPB	1
R3, R7	RES, 0 ohm, 5%, 0.1W, 0603	Vishay-Dale	CRCW06030000Z0EA	0
R5	RES, 100, 1%, 0.1 W, 0603	Vishay-Dale	CRCW0603100RFKEA	1

Revision History

Changes from Original (November 2015) to A Revision

Page

-
- Production Data release..... [3](#)
-

NOTE: Page numbers for previous revisions may differ from page numbers in the current version.

STANDARD TERMS AND CONDITIONS FOR EVALUATION MODULES

1. *Delivery:* TI delivers TI evaluation boards, kits, or modules, including any accompanying demonstration software, components, or documentation (collectively, an "EVM" or "EVMs") to the User ("User") in accordance with the terms and conditions set forth herein. Acceptance of the EVM is expressly subject to the following terms and conditions.
 - 1.1 EVMs are intended solely for product or software developers for use in a research and development setting to facilitate feasibility evaluation, experimentation, or scientific analysis of TI semiconductor products. EVMs have no direct function and are not finished products. EVMs shall not be directly or indirectly assembled as a part or subassembly in any finished product. For clarification, any software or software tools provided with the EVM ("Software") shall not be subject to the terms and conditions set forth herein but rather shall be subject to the applicable terms and conditions that accompany such Software
 - 1.2 EVMs are not intended for consumer or household use. EVMs may not be sold, sublicensed, leased, rented, loaned, assigned, or otherwise distributed for commercial purposes by Users, in whole or in part, or used in any finished product or production system.
2. *Limited Warranty and Related Remedies/Disclaimers:*
 - 2.1 These terms and conditions do not apply to Software. The warranty, if any, for Software is covered in the applicable Software License Agreement.
 - 2.2 TI warrants that the TI EVM will conform to TI's published specifications for ninety (90) days after the date TI delivers such EVM to User. Notwithstanding the foregoing, TI shall not be liable for any defects that are caused by neglect, misuse or mistreatment by an entity other than TI, including improper installation or testing, or for any EVMs that have been altered or modified in any way by an entity other than TI. Moreover, TI shall not be liable for any defects that result from User's design, specifications or instructions for such EVMs. Testing and other quality control techniques are used to the extent TI deems necessary or as mandated by government requirements. TI does not test all parameters of each EVM.
 - 2.3 If any EVM fails to conform to the warranty set forth above, TI's sole liability shall be at its option to repair or replace such EVM, or credit User's account for such EVM. TI's liability under this warranty shall be limited to EVMs that are returned during the warranty period to the address designated by TI and that are determined by TI not to conform to such warranty. If TI elects to repair or replace such EVM, TI shall have a reasonable time to repair such EVM or provide replacements. Repaired EVMs shall be warranted for the remainder of the original warranty period. Replaced EVMs shall be warranted for a new full ninety (90) day warranty period.
3. *Regulatory Notices:*
 - 3.1 *United States*
 - 3.1.1 *Notice applicable to EVMs not FCC-Approved:*

This kit is designed to allow product developers to evaluate electronic components, circuitry, or software associated with the kit to determine whether to incorporate such items in a finished product and software developers to write software applications for use with the end product. This kit is not a finished product and when assembled may not be resold or otherwise marketed unless all required FCC equipment authorizations are first obtained. Operation is subject to the condition that this product not cause harmful interference to licensed radio stations and that this product accept harmful interference. Unless the assembled kit is designed to operate under part 15, part 18 or part 95 of this chapter, the operator of the kit must operate under the authority of an FCC license holder or must secure an experimental authorization under part 5 of this chapter.
 - 3.1.2 *For EVMs annotated as FCC – FEDERAL COMMUNICATIONS COMMISSION Part 15 Compliant:*

CAUTION

This device complies with part 15 of the FCC Rules. Operation is subject to the following two conditions: (1) This device may not cause harmful interference, and (2) this device must accept any interference received, including interference that may cause undesired operation.

Changes or modifications not expressly approved by the party responsible for compliance could void the user's authority to operate the equipment.

FCC Interference Statement for Class A EVM devices

NOTE: This equipment has been tested and found to comply with the limits for a Class A digital device, pursuant to part 15 of the FCC Rules. These limits are designed to provide reasonable protection against harmful interference when the equipment is operated in a commercial environment. This equipment generates, uses, and can radiate radio frequency energy and, if not installed and used in accordance with the instruction manual, may cause harmful interference to radio communications. Operation of this equipment in a residential area is likely to cause harmful interference in which case the user will be required to correct the interference at his own expense.

FCC Interference Statement for Class B EVM devices

NOTE: This equipment has been tested and found to comply with the limits for a Class B digital device, pursuant to part 15 of the FCC Rules. These limits are designed to provide reasonable protection against harmful interference in a residential installation. This equipment generates, uses and can radiate radio frequency energy and, if not installed and used in accordance with the instructions, may cause harmful interference to radio communications. However, there is no guarantee that interference will not occur in a particular installation. If this equipment does cause harmful interference to radio or television reception, which can be determined by turning the equipment off and on, the user is encouraged to try to correct the interference by one or more of the following measures:

- Reorient or relocate the receiving antenna.
- Increase the separation between the equipment and receiver.
- Connect the equipment into an outlet on a circuit different from that to which the receiver is connected.
- Consult the dealer or an experienced radio/TV technician for help.

3.2 Canada

3.2.1 For EVMs issued with an Industry Canada Certificate of Conformance to RSS-210

Concerning EVMs Including Radio Transmitters:

This device complies with Industry Canada license-exempt RSS standard(s). Operation is subject to the following two conditions: (1) this device may not cause interference, and (2) this device must accept any interference, including interference that may cause undesired operation of the device.

Concernant les EVMs avec appareils radio:

Le présent appareil est conforme aux CNR d'Industrie Canada applicables aux appareils radio exempts de licence. L'exploitation est autorisée aux deux conditions suivantes: (1) l'appareil ne doit pas produire de brouillage, et (2) l'utilisateur de l'appareil doit accepter tout brouillage radioélectrique subi, même si le brouillage est susceptible d'en compromettre le fonctionnement.

Concerning EVMs Including Detachable Antennas:

Under Industry Canada regulations, this radio transmitter may only operate using an antenna of a type and maximum (or lesser) gain approved for the transmitter by Industry Canada. To reduce potential radio interference to other users, the antenna type and its gain should be so chosen that the equivalent isotropically radiated power (e.i.r.p.) is not more than that necessary for successful communication. This radio transmitter has been approved by Industry Canada to operate with the antenna types listed in the user guide with the maximum permissible gain and required antenna impedance for each antenna type indicated. Antenna types not included in this list, having a gain greater than the maximum gain indicated for that type, are strictly prohibited for use with this device.

Concernant les EVMs avec antennes détachables

Conformément à la réglementation d'Industrie Canada, le présent émetteur radio peut fonctionner avec une antenne d'un type et d'un gain maximal (ou inférieur) approuvé pour l'émetteur par Industrie Canada. Dans le but de réduire les risques de brouillage radioélectrique à l'intention des autres utilisateurs, il faut choisir le type d'antenne et son gain de sorte que la puissance isotrope rayonnée équivalente (p.i.r.e.) ne dépasse pas l'intensité nécessaire à l'établissement d'une communication satisfaisante. Le présent émetteur radio a été approuvé par Industrie Canada pour fonctionner avec les types d'antenne énumérés dans le manuel d'usage et ayant un gain admissible maximal et l'impédance requise pour chaque type d'antenne. Les types d'antenne non inclus dans cette liste, ou dont le gain est supérieur au gain maximal indiqué, sont strictement interdits pour l'exploitation de l'émetteur.

3.3 Japan

3.3.1 *Notice for EVMs delivered in Japan:* Please see http://www.tij.co.jp/lstds/ti_ja/general/eStore/notice_01.page 日本国内に輸入される評価用キット、ボードについては、次のところをご覧ください。
http://www.tij.co.jp/lstds/ti_ja/general/eStore/notice_01.page

3.3.2 *Notice for Users of EVMs Considered "Radio Frequency Products" in Japan:* EVMs entering Japan may not be certified by TI as conforming to Technical Regulations of Radio Law of Japan.

If User uses EVMs in Japan, not certified to Technical Regulations of Radio Law of Japan, User is required by Radio Law of Japan to follow the instructions below with respect to EVMs:

1. Use EVMs in a shielded room or any other test facility as defined in the notification #173 issued by Ministry of Internal Affairs and Communications on March 28, 2006, based on Sub-section 1.1 of Article 6 of the Ministry's Rule for Enforcement of Radio Law of Japan,
2. Use EVMs only after User obtains the license of Test Radio Station as provided in Radio Law of Japan with respect to EVMs, or
3. Use of EVMs only after User obtains the Technical Regulations Conformity Certification as provided in Radio Law of Japan with respect to EVMs. Also, do not transfer EVMs, unless User gives the same notice above to the transferee. Please note that if User does not follow the instructions above, User will be subject to penalties of Radio Law of Japan.

【無線電波を送信する製品の開発キットをお使いになる際の注意事項】 開発キットの中には技術基準適合証明を受けていないものがあります。技術適合証明を受けていないものご使用に際しては、電波法遵守のため、以下のいずれかの措置を取っていただく必要がありますのでご注意ください。

1. 電波法施行規則第6条第1項第1号に基づく平成18年3月28日総務省告示第173号で定められた電波暗室等の試験設備でご使用いただく。
2. 実験局の免許を取得後ご使用いただく。
3. 技術基準適合証明を取得後ご使用いただく。

なお、本製品は、上記の「ご使用にあたっての注意」を譲渡先、移転先に通知しない限り、譲渡、移転できないものとします。

上記を遵守頂けない場合は、電波法の罰則が適用される可能性があることをご留意ください。日本テキサス・インスツルメンツ株式会社
東京都新宿区西新宿 6 丁目 2 4 番 1 号
西新宿三井ビル

3.3.3 *Notice for EVMs for Power Line Communication:* Please see http://www.tij.co.jp/llds/ti_ja/general/eStore/notice_02.page
電力線搬送波通信についての開発キットをお使いになる際の注意事項については、次のところをご覧ください。http://www.tij.co.jp/llds/ti_ja/general/eStore/notice_02.page

4 *EVM Use Restrictions and Warnings:*

4.1 EVMS ARE NOT FOR USE IN FUNCTIONAL SAFETY AND/OR SAFETY CRITICAL EVALUATIONS, INCLUDING BUT NOT LIMITED TO EVALUATIONS OF LIFE SUPPORT APPLICATIONS.

4.2 User must read and apply the user guide and other available documentation provided by TI regarding the EVM prior to handling or using the EVM, including without limitation any warning or restriction notices. The notices contain important safety information related to, for example, temperatures and voltages.

4.3 *Safety-Related Warnings and Restrictions:*

4.3.1 User shall operate the EVM within TI's recommended specifications and environmental considerations stated in the user guide, other available documentation provided by TI, and any other applicable requirements and employ reasonable and customary safeguards. Exceeding the specified performance ratings and specifications (including but not limited to input and output voltage, current, power, and environmental ranges) for the EVM may cause personal injury or death, or property damage. If there are questions concerning performance ratings and specifications, User should contact a TI field representative prior to connecting interface electronics including input power and intended loads. Any loads applied outside of the specified output range may also result in unintended and/or inaccurate operation and/or possible permanent damage to the EVM and/or interface electronics. Please consult the EVM user guide prior to connecting any load to the EVM output. If there is uncertainty as to the load specification, please contact a TI field representative. During normal operation, even with the inputs and outputs kept within the specified allowable ranges, some circuit components may have elevated case temperatures. These components include but are not limited to linear regulators, switching transistors, pass transistors, current sense resistors, and heat sinks, which can be identified using the information in the associated documentation. When working with the EVM, please be aware that the EVM may become very warm.

4.3.2 EVMs are intended solely for use by technically qualified, professional electronics experts who are familiar with the dangers and application risks associated with handling electrical mechanical components, systems, and subsystems. User assumes all responsibility and liability for proper and safe handling and use of the EVM by User or its employees, affiliates, contractors or designees. User assumes all responsibility and liability to ensure that any interfaces (electronic and/or mechanical) between the EVM and any human body are designed with suitable isolation and means to safely limit accessible leakage currents to minimize the risk of electrical shock hazard. User assumes all responsibility and liability for any improper or unsafe handling or use of the EVM by User or its employees, affiliates, contractors or designees.

4.4 User assumes all responsibility and liability to determine whether the EVM is subject to any applicable international, federal, state, or local laws and regulations related to User's handling and use of the EVM and, if applicable, User assumes all responsibility and liability for compliance in all respects with such laws and regulations. User assumes all responsibility and liability for proper disposal and recycling of the EVM consistent with all applicable international, federal, state, and local requirements.

5. *Accuracy of Information:* To the extent TI provides information on the availability and function of EVMs, TI attempts to be as accurate as possible. However, TI does not warrant the accuracy of EVM descriptions, EVM availability or other information on its websites as accurate, complete, reliable, current, or error-free.

6. *Disclaimers:*
- 6.1 EXCEPT AS SET FORTH ABOVE, EVMS AND ANY WRITTEN DESIGN MATERIALS PROVIDED WITH THE EVM (AND THE DESIGN OF THE EVM ITSELF) ARE PROVIDED "AS IS" AND "WITH ALL FAULTS." TI DISCLAIMS ALL OTHER WARRANTIES, EXPRESS OR IMPLIED, REGARDING SUCH ITEMS, INCLUDING BUT NOT LIMITED TO ANY IMPLIED WARRANTIES OF MERCHANTABILITY OR FITNESS FOR A PARTICULAR PURPOSE OR NON-INFRINGEMENT OF ANY THIRD PARTY PATENTS, COPYRIGHTS, TRADE SECRETS OR OTHER INTELLECTUAL PROPERTY RIGHTS.
- 6.2 EXCEPT FOR THE LIMITED RIGHT TO USE THE EVM SET FORTH HEREIN, NOTHING IN THESE TERMS AND CONDITIONS SHALL BE CONSTRUED AS GRANTING OR CONFERRING ANY RIGHTS BY LICENSE, PATENT, OR ANY OTHER INDUSTRIAL OR INTELLECTUAL PROPERTY RIGHT OF TI, ITS SUPPLIERS/LICENSORS OR ANY OTHER THIRD PARTY, TO USE THE EVM IN ANY FINISHED END-USER OR READY-TO-USE FINAL PRODUCT, OR FOR ANY INVENTION, DISCOVERY OR IMPROVEMENT MADE, CONCEIVED OR ACQUIRED PRIOR TO OR AFTER DELIVERY OF THE EVM.
7. *USER'S INDEMNITY OBLIGATIONS AND REPRESENTATIONS.* USER WILL DEFEND, INDEMNIFY AND HOLD TI, ITS LICENSORS AND THEIR REPRESENTATIVES HARMLESS FROM AND AGAINST ANY AND ALL CLAIMS, DAMAGES, LOSSES, EXPENSES, COSTS AND LIABILITIES (COLLECTIVELY, "CLAIMS") ARISING OUT OF OR IN CONNECTION WITH ANY HANDLING OR USE OF THE EVM THAT IS NOT IN ACCORDANCE WITH THESE TERMS AND CONDITIONS. THIS OBLIGATION SHALL APPLY WHETHER CLAIMS ARISE UNDER STATUTE, REGULATION, OR THE LAW OF TORT, CONTRACT OR ANY OTHER LEGAL THEORY, AND EVEN IF THE EVM FAILS TO PERFORM AS DESCRIBED OR EXPECTED.
8. *Limitations on Damages and Liability:*
- 8.1 *General Limitations.* IN NO EVENT SHALL TI BE LIABLE FOR ANY SPECIAL, COLLATERAL, INDIRECT, PUNITIVE, INCIDENTAL, CONSEQUENTIAL, OR EXEMPLARY DAMAGES IN CONNECTION WITH OR ARISING OUT OF THESE TERMS AND CONDITIONS OR THE USE OF THE EVMS PROVIDED HEREUNDER, REGARDLESS OF WHETHER TI HAS BEEN ADVISED OF THE POSSIBILITY OF SUCH DAMAGES. EXCLUDED DAMAGES INCLUDE, BUT ARE NOT LIMITED TO, COST OF REMOVAL OR REINSTALLATION, ANCILLARY COSTS TO THE PROCUREMENT OF SUBSTITUTE GOODS OR SERVICES, RETESTING, OUTSIDE COMPUTER TIME, LABOR COSTS, LOSS OF GOODWILL, LOSS OF PROFITS, LOSS OF SAVINGS, LOSS OF USE, LOSS OF DATA, OR BUSINESS INTERRUPTION. NO CLAIM, SUIT OR ACTION SHALL BE BROUGHT AGAINST TI MORE THAN ONE YEAR AFTER THE RELATED CAUSE OF ACTION HAS OCCURRED.
- 8.2 *Specific Limitations.* IN NO EVENT SHALL TI'S AGGREGATE LIABILITY FROM ANY WARRANTY OR OTHER OBLIGATION ARISING OUT OF OR IN CONNECTION WITH THESE TERMS AND CONDITIONS, OR ANY USE OF ANY TI EVM PROVIDED HEREUNDER, EXCEED THE TOTAL AMOUNT PAID TO TI FOR THE PARTICULAR UNITS SOLD UNDER THESE TERMS AND CONDITIONS WITH RESPECT TO WHICH LOSSES OR DAMAGES ARE CLAIMED. THE EXISTENCE OF MORE THAN ONE CLAIM AGAINST THE PARTICULAR UNITS SOLD TO USER UNDER THESE TERMS AND CONDITIONS SHALL NOT ENLARGE OR EXTEND THIS LIMIT.
9. *Return Policy.* Except as otherwise provided, TI does not offer any refunds, returns, or exchanges. Furthermore, no return of EVM(s) will be accepted if the package has been opened and no return of the EVM(s) will be accepted if they are damaged or otherwise not in a resalable condition. If User feels it has been incorrectly charged for the EVM(s) it ordered or that delivery violates the applicable order, User should contact TI. All refunds will be made in full within thirty (30) working days from the return of the components(s), excluding any postage or packaging costs.
10. *Governing Law:* These terms and conditions shall be governed by and interpreted in accordance with the laws of the State of Texas, without reference to conflict-of-laws principles. User agrees that non-exclusive jurisdiction for any dispute arising out of or relating to these terms and conditions lies within courts located in the State of Texas and consents to venue in Dallas County, Texas. Notwithstanding the foregoing, any judgment may be enforced in any United States or foreign court, and TI may seek injunctive relief in any United States or foreign court.

Mailing Address: Texas Instruments, Post Office Box 655303, Dallas, Texas 75265
Copyright © 2015, Texas Instruments Incorporated

IMPORTANT NOTICE

Texas Instruments Incorporated and its subsidiaries (TI) reserve the right to make corrections, enhancements, improvements and other changes to its semiconductor products and services per JESD46, latest issue, and to discontinue any product or service per JESD48, latest issue. Buyers should obtain the latest relevant information before placing orders and should verify that such information is current and complete. All semiconductor products (also referred to herein as "components") are sold subject to TI's terms and conditions of sale supplied at the time of order acknowledgment.

TI warrants performance of its components to the specifications applicable at the time of sale, in accordance with the warranty in TI's terms and conditions of sale of semiconductor products. Testing and other quality control techniques are used to the extent TI deems necessary to support this warranty. Except where mandated by applicable law, testing of all parameters of each component is not necessarily performed.

TI assumes no liability for applications assistance or the design of Buyers' products. Buyers are responsible for their products and applications using TI components. To minimize the risks associated with Buyers' products and applications, Buyers should provide adequate design and operating safeguards.

TI does not warrant or represent that any license, either express or implied, is granted under any patent right, copyright, mask work right, or other intellectual property right relating to any combination, machine, or process in which TI components or services are used. Information published by TI regarding third-party products or services does not constitute a license to use such products or services or a warranty or endorsement thereof. Use of such information may require a license from a third party under the patents or other intellectual property of the third party, or a license from TI under the patents or other intellectual property of TI.

Reproduction of significant portions of TI information in TI data books or data sheets is permissible only if reproduction is without alteration and is accompanied by all associated warranties, conditions, limitations, and notices. TI is not responsible or liable for such altered documentation. Information of third parties may be subject to additional restrictions.

Resale of TI components or services with statements different from or beyond the parameters stated by TI for that component or service voids all express and any implied warranties for the associated TI component or service and is an unfair and deceptive business practice. TI is not responsible or liable for any such statements.

Buyer acknowledges and agrees that it is solely responsible for compliance with all legal, regulatory and safety-related requirements concerning its products, and any use of TI components in its applications, notwithstanding any applications-related information or support that may be provided by TI. Buyer represents and agrees that it has all the necessary expertise to create and implement safeguards which anticipate dangerous consequences of failures, monitor failures and their consequences, lessen the likelihood of failures that might cause harm and take appropriate remedial actions. Buyer will fully indemnify TI and its representatives against any damages arising out of the use of any TI components in safety-critical applications.

In some cases, TI components may be promoted specifically to facilitate safety-related applications. With such components, TI's goal is to help enable customers to design and create their own end-product solutions that meet applicable functional safety standards and requirements. Nonetheless, such components are subject to these terms.

No TI components are authorized for use in FDA Class III (or similar life-critical medical equipment) unless authorized officers of the parties have executed a special agreement specifically governing such use.

Only those TI components which TI has specifically designated as military grade or "enhanced plastic" are designed and intended for use in military/aerospace applications or environments. Buyer acknowledges and agrees that any military or aerospace use of TI components which have **not** been so designated is solely at the Buyer's risk, and that Buyer is solely responsible for compliance with all legal and regulatory requirements in connection with such use.

TI has specifically designated certain components as meeting ISO/TS16949 requirements, mainly for automotive use. In any case of use of non-designated products, TI will not be responsible for any failure to meet ISO/TS16949.

Products

Audio	www.ti.com/audio
Amplifiers	amplifier.ti.com
Data Converters	dataconverter.ti.com
DLP® Products	www.dlp.com
DSP	dsp.ti.com
Clocks and Timers	www.ti.com/clocks
Interface	interface.ti.com
Logic	logic.ti.com
Power Mgmt	power.ti.com
Microcontrollers	microcontroller.ti.com
RFID	www.ti-rfid.com
OMAP Applications Processors	www.ti.com/omap
Wireless Connectivity	www.ti.com/wirelessconnectivity

Applications

Automotive and Transportation	www.ti.com/automotive
Communications and Telecom	www.ti.com/communications
Computers and Peripherals	www.ti.com/computers
Consumer Electronics	www.ti.com/consumer-apps
Energy and Lighting	www.ti.com/energy
Industrial	www.ti.com/industrial
Medical	www.ti.com/medical
Security	www.ti.com/security
Space, Avionics and Defense	www.ti.com/space-avionics-defense
Video and Imaging	www.ti.com/video

TI E2E Community

e2e.ti.com