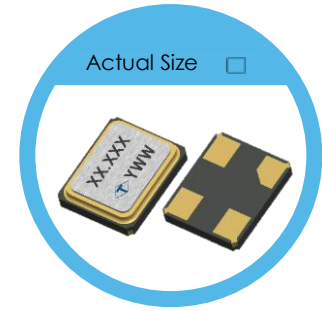


XY Type

2.5 x 2.0 mm SMD Crystal



RoHS Compliant

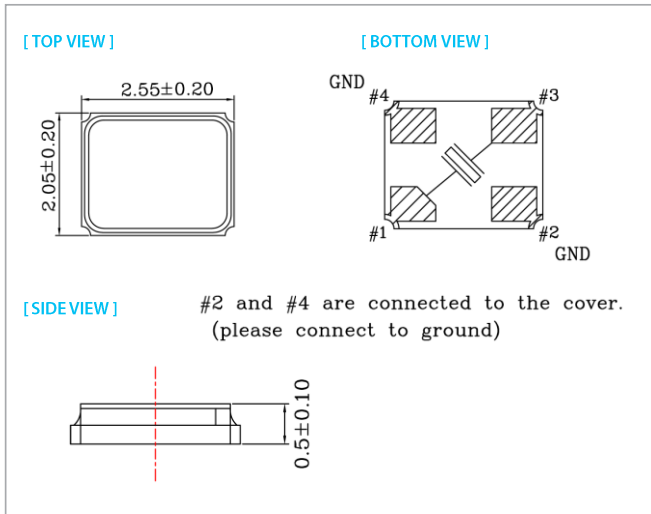
FEATURES

- Conforms to AEC-Q200
- Typical 2.5 x 2.0 x 0.45 mm ultra thin ceramic package.
- 8 mm width Tape & Reel package for automatic assembly.
- Tight tolerance 10 ppm available.

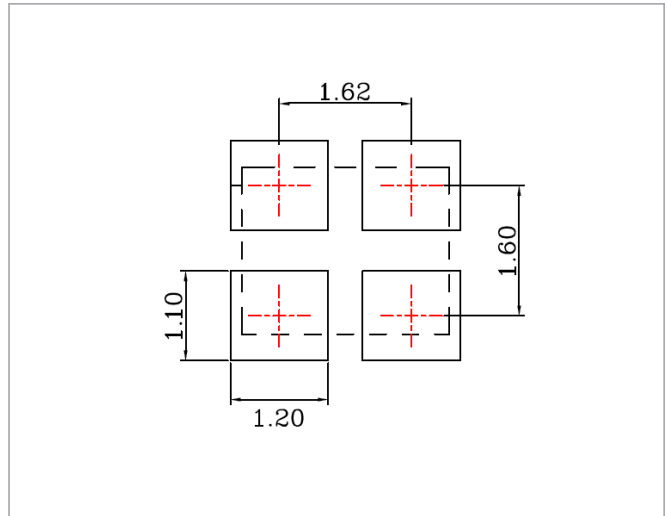
TYPICAL APPLICATION

- Bluetooth , Mobile phone, Wireless LAN.
- Office Automation
- Audio & Video

DIMENSION (mm)



SOLDER PAD LAYOUT (mm)



ELECTRICAL SPECIFICATION

Parameter	Min.	Typical	Max.	Unit
Storage Temp. Range	-40	-	125	°C
Standard Frequency		16, 24, 26, 40		MHz
Level of Drive	-	10	200	μW
Shunt Capacitance (C0)	-	-	3.0	pF
Insulation Resistance	500M Ω @ DC100V	-	-	
Aging		±3.0		ppm/year

Standard frequencies are frequencies which the crystal has been designed and does not imply a stock position.

EQUIVALENT SERIES RESISTANCE (E. S. R.)

Frequency Range	MODE	E.S.R.
12 MHz ≤ Fo < 20 MHz	A1	<150 Ω
20 MHz ≤ Fo < 30 MHz	A1	<80 Ω
30 MHz ≤ Fo < 54 MHz	A1	<60 Ω

FREQ. STABILITY vs. TEMP. RANGE

Temp.(°C)	ppm					
	± 5	±10	±15	±20	±30	±50
-10 ~ +60	△	○	○	○	○	○
-20 ~ +70	X	△	○	○	○	○
-40 ~ +85	X	X	△	○	○	○
-40 ~ +105	X	X	X	△	○	○
-40 ~ +125	X	X	X	X	△	○

* ○: Available △:Conditional X: Not available

Note: not all combination of options are available. Other specifications may be available upon request.
 Specifications subject to change without notice.