

1

2

3

4

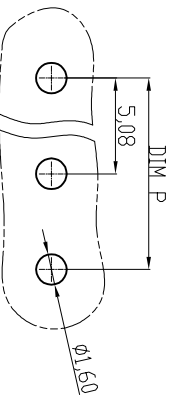
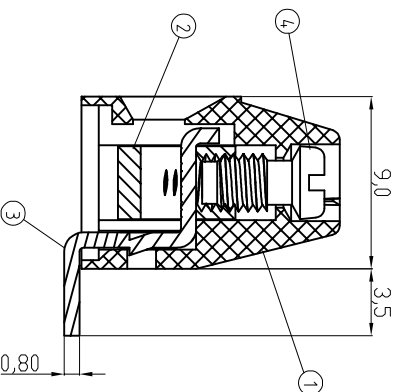
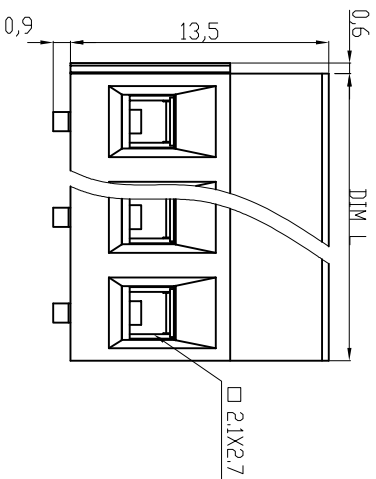
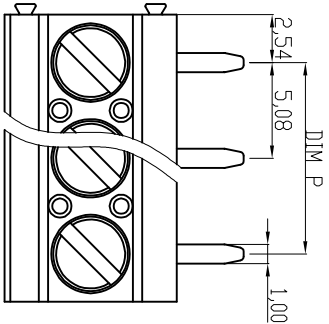
5

6

7

Material

- ① Terminal housing: Thermoplastic (UL94V-0) , GREEN
- ② Clamp: Brass, Ni plated
- ③ Wire guard solder pin: Brass, Tin plated
- ④ Terminal screw: Steel Zinc plating " - " slot type



DIMENSION	
L	Nx5.08
P	(N-1)x5.08

N=Number of poles

Poles	Tolerance
2p-6p	±0.15
7p-12p	±0.25
13p-16p	±0.35
17p-24p	±0.40

RECOMMENDER PCB LAYOUT

RoHS compliant



File No.: E349947

Scale	1:1
TOLERANCE	
X.	±0.50
X.X	±0.30
X.XX	±0.10
DIM TOL	
X.°	±1°
Angle TOL	

Id.	Modification	Date	Name
①	Add the UL File No.	19.04.2016	Winnie
②	Drawn	19.04.2010	Alex

Date	Name
19.04.2010	Alex
19.04.2016	Winnie

ASSMANN
wsw/ components

Customer-No.	Drawing-No.	Replace
ASSMANN WSW-No. A-TB508-V1xxV	ASS 4108 CO	rev01
		Sheet

1

2

3

4

5

6

7

A B C D E F G H