

1

2

3

4

5

6

7

A

B

C

D

E


F

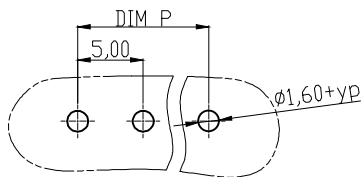
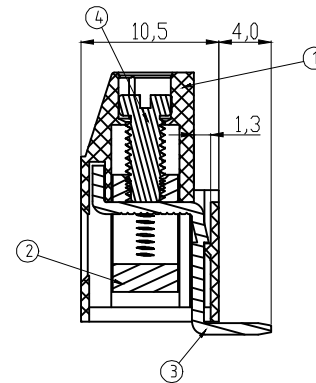
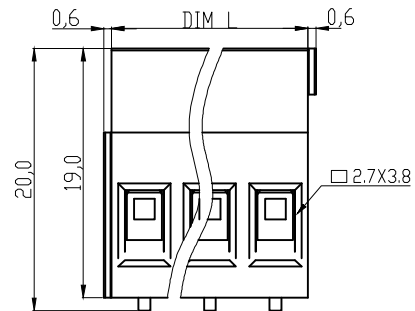
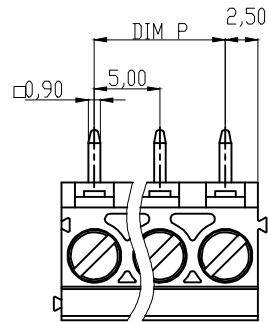
G

H

Material

- ① Terminal housing: Thermoplastic (UL94V-0) , GREEN
- ② Clamp: Brass, Ni plated
- ③ Wire guard solder pin: Copper, Tin plated
- ④ Terminal screw: Steel, Zinc plating "-" slot type

Electrical cULus
 Voltage rating: 300VAC
 Current rating: 20A
 Wire range:
 Solid wire(AWG): 12-30
 Stranded wire(AWG): 12-30
 Torque(Lb-In): 3.5
 Screw: M3
 Wire strip length: 6-7mm
 Withstanding Voltage: 1.6KV
 Operating temperature: -40°C to +115°C
 Soldering temperature: 250°C±10°C/5 Sec
 Safety Approval: 



DIMENSION

L	Nx5.0
P	(N-1)x5.0

N=Number of poles


Poles	Tolerance
DIM L&DIM P	
2p-8p	±0.15
9p-14p	±0.25
15p-20p	±0.35
21p-24p	±0.40

RECOMMENDER PCB LAYOUT

RoHS compliant
 Unit: mm



File No.: E349947

Scale	1:1	Date	19.04.2010	Name	Alex	Customer-No.	
TOLERANCE		Drawn	19.04.2010	Alex		ASSMANN WSW-No. A-TB500-VJxxV	
X.	±0.50	Approved	18.04.2016	Joanna			
X.X	±0.30						
X.XX	±0.10					Drawing-No.	
DIM	TOL	① Add UL	18.04.2016	Joanna		ASS 4110 CO	rev01
X.°	±1°	② Drawn	19.04.2010	Alex		Replace	Sheet
Angle	TOL	Id.	Modification	Date	Name		

1

2

3

4

5

6

7

A

B

C

D

E

F

G

H