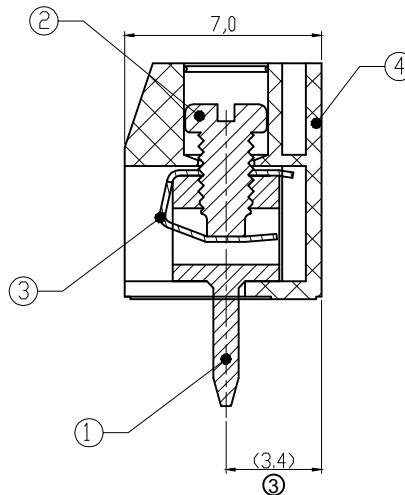
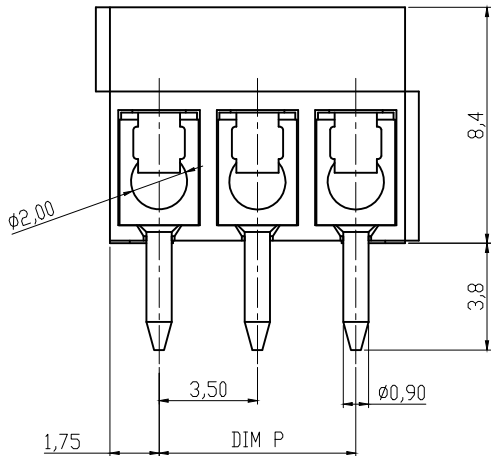


RECOMMENDER PCB LAYOUT



Material

- ① Terminal body(metal housing): Brass(CuZn),Tin plated
- ② Terminal screw: Steel Zinc plating "-" slot type
- ③ Wire guard: Stainless steel
- ④ Insulator (housing): Thermoplastic (UL94V-0) BLACK(RAL9005)

Electrical UL

- Voltage rating: 125V
- Current rating: 10A
- Wire range:
  - Solid wire(AWG): 16-26
  - Stranded wire(AWG): 16-26
- Torque(Lb-In): 1.7Lb-In
- Screw: M2
- Wire strip length: 5-6mm
- Withstanding Voltage: 1.25KV
- Operating temperature: -40°C to +115°C
- ② Soldering temperature: 260°C±5°C/5 Sec
- Safety Approval:

DIMENSION

L	Nx3.5
P	(N-1)x3.5

N=Number of poles

① Poles	Tolerance	
	DIM L	DIM P
2p-6p	±0.15	±0.10
7p-12p	±0.20	±0.20
13p-18p	±0.30	±0.25
19p-24p	±0.35	±0.30

**RoHS compliant**  
Unit: mm



File No.: E349947

Scale	Free					Date	Name	Customer-No.
TOLERANCE						Drawn	19.04.2010	Alex
X.	±0.50	③	Update Dim3.40 to (3.4)	16.12.2021	Daniel	Approved	16.12.2021	Daniel
X.X	±0.30	②	Update to new drawing and add UL	25.03.2016	Amy			
X.XX	±0.10	①	Update tolerance table	28.05.2014	Ray			
DIM	TOL	①	Update tolerance table	28.05.2014	Ray			
Angle	±1°	①	Drawn	19.04.2010	Alex			
Angle	TOL	Id.	Modification	Date	Name			

ASSMANN WSW-No. <b>A-TB350-TExx</b>		Drawing-No.	<b>ASS 4091 CO</b>	rev03
		Replace		

