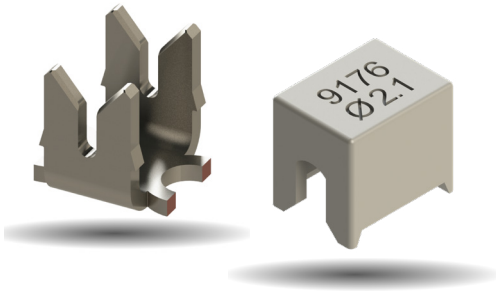


SINGLE IDC CONTACT 18-24 AWG: 9176-500



General Information



The 917X series of surface mount Insulation Displacement Connectors (IDC) were developed to meet the harsh requirements of automotive and industrial applications. This industry proven series of connectors provides a robust, reliable, and efficient method to connect individual wires ranging from 12 AWG to 30 AWG directly to a PCB. The single contact design can function as a standalone component. It provides our designers access to IDC technology in an easy-to-use form factor allowing them to bring power and signal to a PCB in a wide range of applications. These connectors have been tested to various levels of shock, vibration, and temperature cycling to prove their reliability and robustness.

The single 9176-500 series contact and cap accepts 18 AWG to 24 AWG wires. These dual beam contacts support up to a 10 Amp current rating (dependent on wire gauge) with a large SMT solder base to provide maximum stability on the PCB. The optional locking strain relief cap acts as the termination tool for severe vibration applications.

APPLICATIONS

- Connecting discrete wire components directly to the PCB
- Bringing power and signals onto a PCB
- Daisy chaining PCB's together to create a continuous string of boards
- Application notes: refer to 201-01-124
- Product Specification: Refer to 201-01-126

FEATURES AND BENEFITS

- Supplied in T&R pockets for standard SMT placement
- IDC contact provides a gas-tight connection to the PCB for long term reliability
- Optional termination cap provides additional strain relief for severe environments
- Tested to various levels on shock, vibration and temperature cycling for reliability
- Reduced total applied cost versus solder or crimp processes
- Individual contacts can be located anywhere on the PCB based on specific application

ELECTRICAL

- Current Rating: Up to 10 Amps/Contact
- Voltage Rating: Dependent on Contact Spacing

ENVIRONMENTAL

- Operating Temperature: -40°C to +130°C
- Storage Temperature: -40°C to +60°C

MECHANICAL

- Insulator Material: Nylon 46, UL94V-0
- Contact Material: Phosphor Bronze
- Plating: Tin over Nickel
- Durability: 3 Cycles

HOW TO ORDER – CONTACT OPTIONS

70
Prefix
70 = Contact

9176
Series

001
Number of Ways

Code	No of Ways	Details
001	1	Page 36

5XX
Wire Gauge Size

Code	Accepted Wire Gauge
501	18 Gauge Stranded
511	20 Gauge Solid or Stranded
522	22 Gauge Solid or Stranded
532	24 Gauge Solid or Stranded

006
Plating Option
006 = Pure Tin all over



Safety Standards: UL 1977-File #E90723

HOW TO ORDER – CAP OPTIONS

60
Prefix
60 = Cap

9176
Series

001
Number of Ways

Code	No of Ways	Details
001	1	Page 40

5XX
Wire Insulation Size

Code	Wire Insulation
516	1.1-1.6 (22-24)
521	1.6-2.1 (18-20)

X00
Insulator Color

Code	Color
000	Black
100	White

CONNECTOR/TOOLING PART NUMBER MATRIX

SERIES 9176-500 IDC				HAND INSERTION TOOLING*		ACCESSORY CAPS		
AWG	Wire Insulation	Positions	Part Number	Plastic (medium volume)	Metal (high volume)	Cap Application Tool	White	Black
18	Ø 1.6 - 2.1	1p	709176001501006	069176702001000	069176701901000	069176701801000 (Plastic)	609176001521100	609176001521000
20	Ø 1.6 - 2.1	1p	709176001511006					
22	Ø 1.1 - 1.6	1p	709176001522006	069176702002000	069176701902000	069176702501000 (Metal)	609176001516100	609176001516000
24	Ø 1.1 - 1.6	1p	709176001532006					

* Hand Insertion Tooling and Cap Application - Universal Hand Tool 067000773001000; Consult Application Notes 201-01-124

**Other tools are available for special wires (thick insulator, copper enameled wire...), please contact KYOCERA AVX for more details

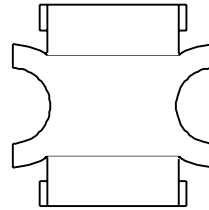
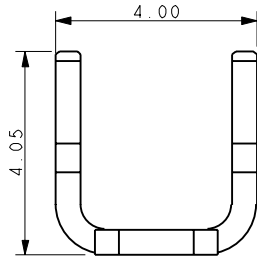
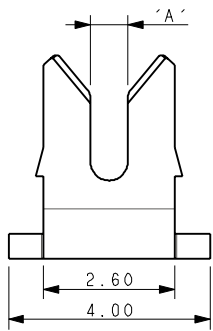


The Important Information/Disclaimer is incorporated in the catalog where these specifications came from or available online at www.kyocera-avx.com/disclaimer/ by reference and should be reviewed in full before placing any order.

SINGLE IDC CONTACT 18-24 AWG: 9176-500

Contact Details

CONTACT DETAILS

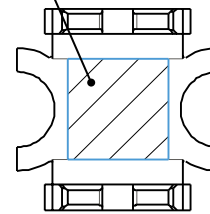


Code	Accepted Wire Gauge	A
501	18 AWG Stranded	0.74
511	20 AWG Solid and Stranded	0.60
522	22 AWG Solid and Stranded	0.47
532	24 AWG Solid and Stranded	0.37

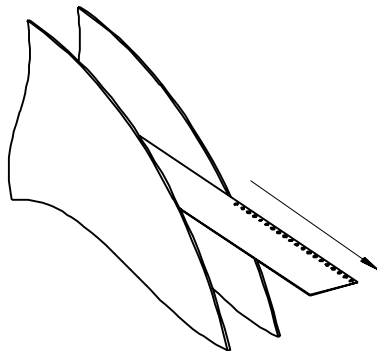
NOTES:

- CONNECTOR FOR IDC WIRE TO BOARD CONNECTION.
- CONTACT MATERIAL: PHOSPHOR BRONZE.
- CONTACT PLATING: PURE TIN.
- CONNECTOR DESIGNED TO ACCEPT BETWEEN 20AWG AND 24AWG SOLID AND STRANDED WIRES, 18AWG WILL ONLY ACCEPT STRANDED WIRES, SEE TABLE.
- ALL DIMENSIONS ± 0.20 UNLESS TOLERANCED
- FOR FULL PRODUCT SPECIFICATION REFER TO SPEC 201-01-126 AND APPLICATION NOTES 201-01-124.
- SMT PCB LAYOUT, REFER TO PAGE 37.
- PACKING IN TAPE AND REEL, QUANTITY 1000 PER REEL.
- WHEN REQUIRED, REFER TO MATCHING CAP DETAILS ON PAGE 40.
- ASSEMBLY TOOLING ON PAGE 38 (WITH CAP) AND PAGE 39 (WITHOUT CAP).

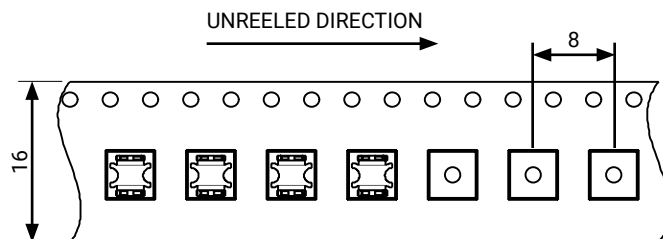
AREA AVAILABLE FOR PICK & PLACE 2.00mm SQUARE



PACKING DETAILS



REEL QTY	1000
LEADER	480mm
TRAILER	120mm

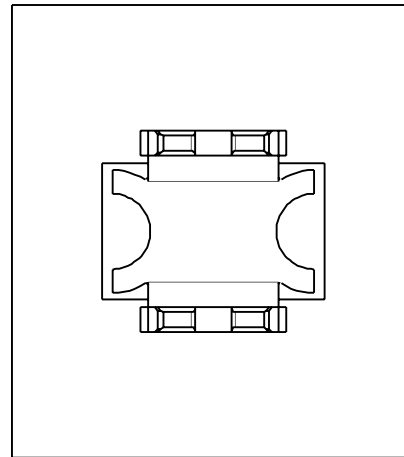
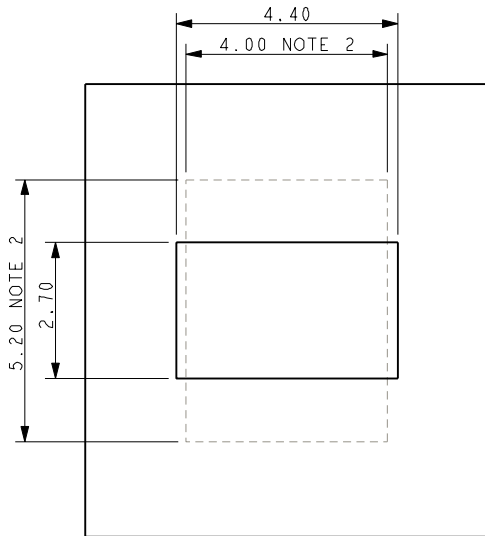


SINGLE IDC CONTACT 18-24 AWG: 9176-500

PCB Layout

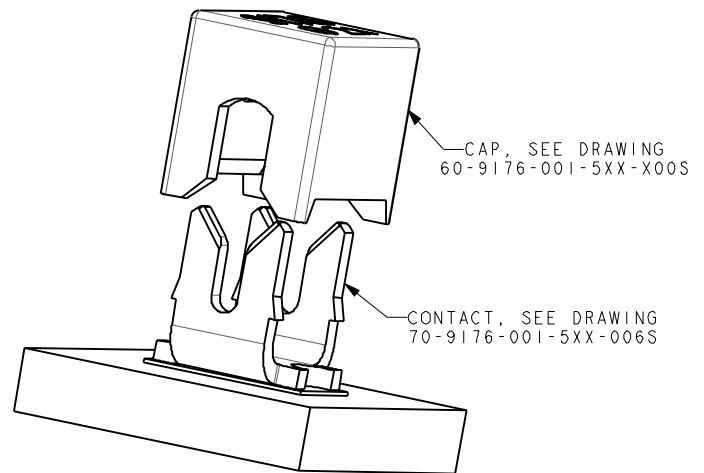
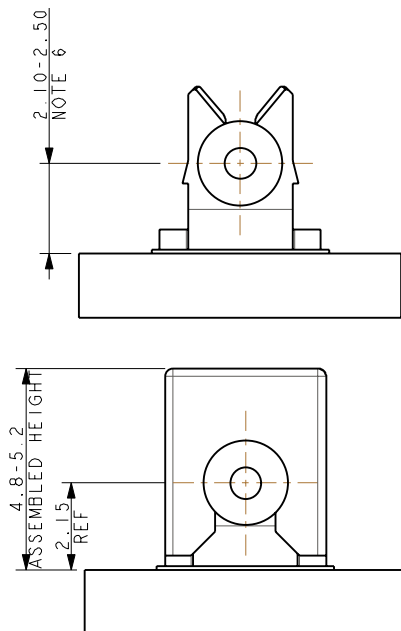
18-24 AWG IDC WIRE TO BOARD CONNECTOR SINGLE CONTACT

SMT PCB LAYOUT PURE TIN PADS



ORIENTATION OF CONTACT ON PAD

ASSEMBLED/INSTALLED PRODUCTS



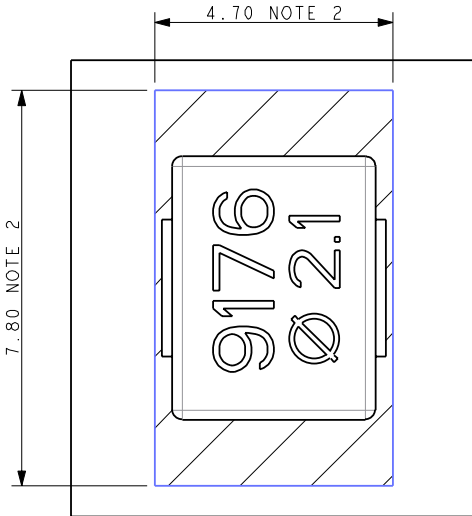
NOTES:

1. CONNECTOR CAN BE USED WITH CONTACT ONLY OR WITH OPTIONAL CAP.
2. OUTLINE OF CAP WHEN USED.
3. FOR FULL PRODUCT SPECIFICATION REFER TO SPEC 201-01-126 AND 201-01-124.
4. ALL DIMENSIONS ± 0.20 UNLESS TOLERANCED.
5. ASSEMBLY TOOLING ON PAGE 38 (WITH CAP) AND PAGE 39 (WITHOUT CAP).
6. WIRE CENTER LINE HEIGHT ABOVE THE PCB, THIS INCLUDES AN ALLOWANCE OF 0.10MM FOR SOLDER AND 0.035MM FOR PAD THICKNESS, NO ALLOWANCE HAS BEEN MADE FOR SOLDER RESIST OR OTHER FEATURES.

SINGLE IDC CONTACT 18-24 AWG: 9176-500

Assembly Tooling

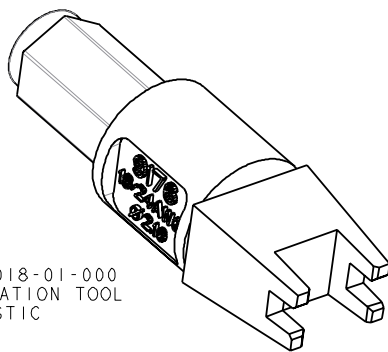
ASSEMBLY TOOLING – CAP USED



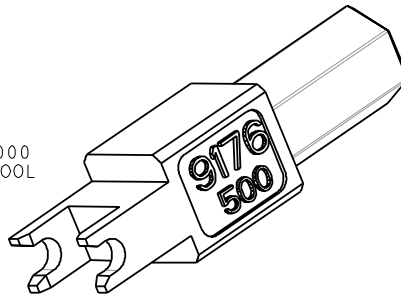
NOTES:

1. ASSEMBLY TOOLING FOR CAP.
2. AREA OF PCB TO BE KEPT CLEAR OF COMPONENTS, TACKS PERMISSIBLE.
3. WIRE AND CAP INSERTED IN ONE OPERATION.
4. REFER TO APPLICATION NOTE 201-01-124 FOR FURTHER INFORMATION.
5. REFER BELOW WHEN CONTACT USED WITHOUT CAP.

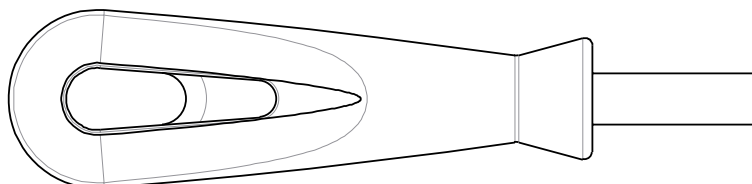
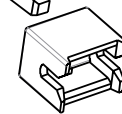
06-9176-7018-01-000
CAP APPLICATION TOOL
PLASTIC



06-9176-7025-01-000
CAP APPLICATION TOOL
METAL



PLACE CAP IN TOOL

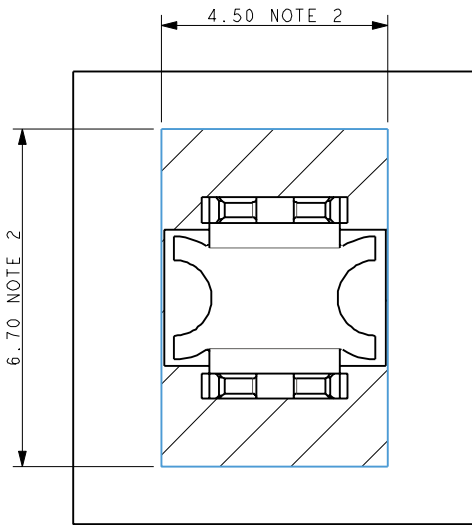


06-7000-7730-01-000
UNIVERSAL HANDLE

SINGLE IDC CONTACT 18-24 AWG: 9176-500

Assembly Tooling

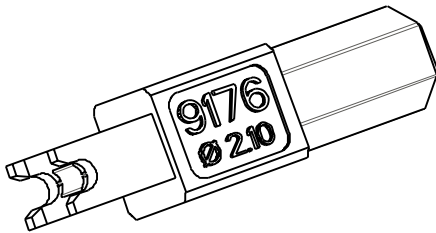
ASSEMBLY TOOLING – CAP NOT USED WIRE ONTO CONTACT



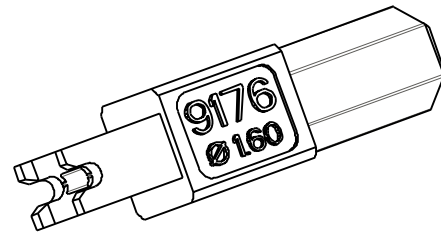
NOTES:

1. ASSEMBLY TOOLING FOR CONTACT ONLY, NO CAP USED.
2. MINIMUM AREA OF PCB TO BE KEPT CLEAR OF COMPONENTS, TRACKS PERMISSIBLE.
3. REFER TO TABLE FOR CORRECT TOOL/WIRE COMBINATION.
4. REFER TO APPLICATION NOTE 201-01-124 FOR FURTHER INFORMATION
5. OTHER TOOLS ARE AVAILABLE FOR SPECIAL WIRES (THICK INSULATOR, COPPER ENAMELED WIRE...), PLEASE CONTACT KYOCERA AVX FOR MORE DETAILS

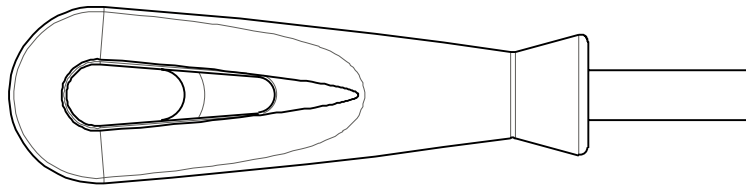
WIRE INSULATION Ø	METAL TOOL HIGH VOLUME	PLASTIC TOOL SMALL TO MEDIUM VOLUME	HANDLE
1.10 to 1.60	06-9176-7019-02-000	06-9176-7020-02-000	06-7000-7730-01-000
1.60 to 2.10	06-9176-7019-01-000	06-9176-7020-01-000	06-7000-7730-01-000



06-9176-7019-01-000
06-9176-7020-01-000
2.1Ø WIRE



06-9176-7019-02-000
06-9176-7020-02-000
1.6Ø WIRE

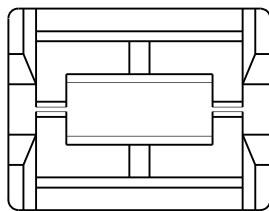
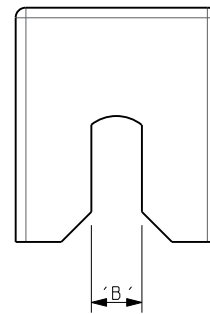
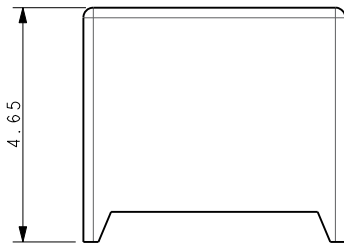
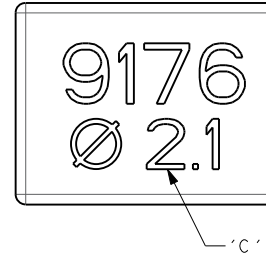
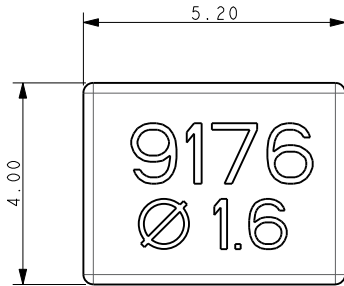


06-7000-7730-01-000
UNIVERSAL HANDLE

SINGLE IDC CONTACT 18-24 AWG: 9176-500

Cap Details

CAP DETAILS



Code	Insulator Diameter (AWG)	B	Text C
516	1.1 to 1.6 (22-24)	1.00	Ø 1.6
521	1.6 to 2.1 (18-20)	1.50	Ø 2.1

NOTES:

1. CAP FOR IDC WIRE TO BOARD CONNECTION.
2. CAP MATERIAL: GLASS FILLED NYLON 46, COLOR SEE PAGE 35.
3. CAPS DESIGNED TO ACCOMMODATE WIRE INSULATION DIAMETERS 1.1MM TO 2.1MM.
4. ALL DIMENSIONS FOR REFERENCE UNLESS OTHERWISE STATED.
5. FOR FULL PRODUCT SPECIFICATION REFER TO 201-01-126, APPLICATION NOTES 201-01-124.
6. PACKING IN BAGS, QUANTITY 1000 PER BAG.
7. FOR INSTALLATION DETAILS REFER TO PAGES 37, 38 & 39.