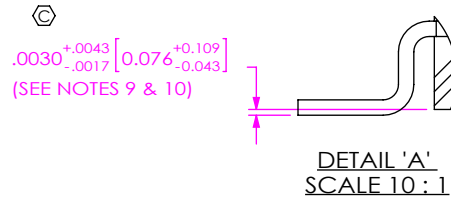


DO NOT SCALE FROM THIS PRINT

SIB-1XX-XX-XX-S-XX-XX



**NO OF POSITIONS**  
-02 THRU -30  
(PER ROW)

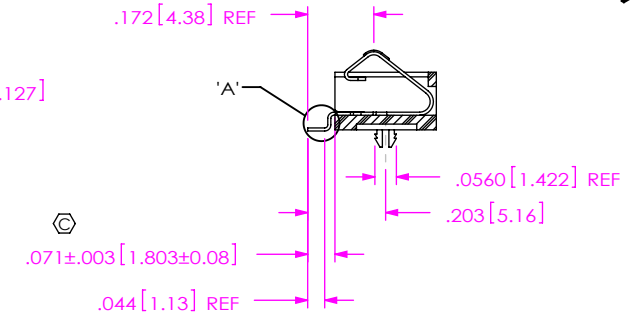
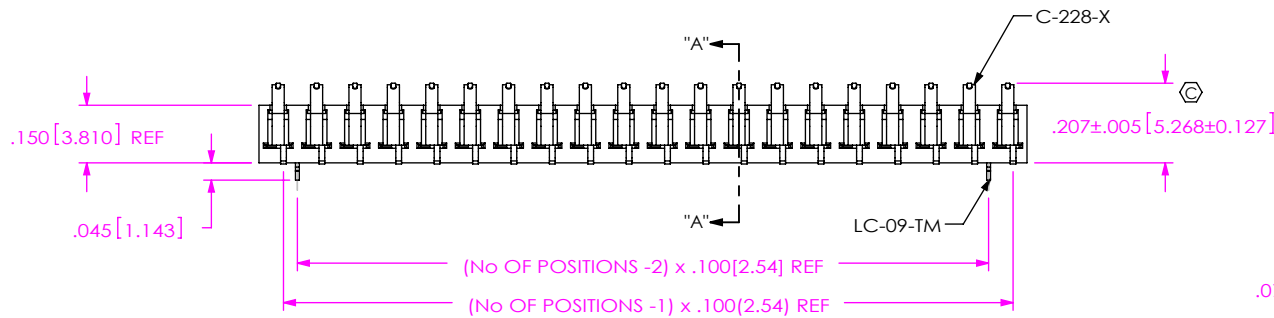
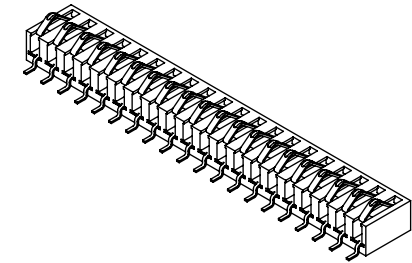
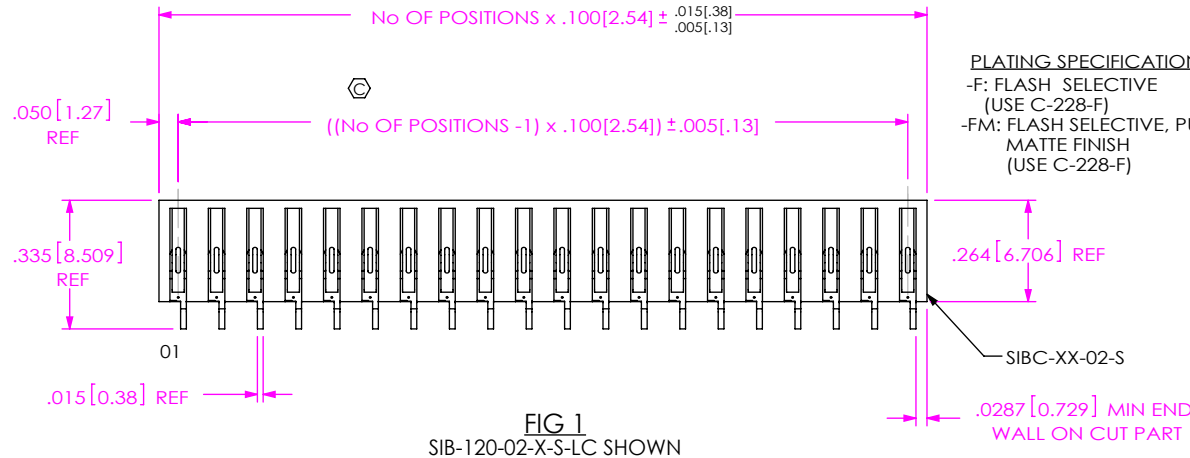
**LEAD STYLE**  
-02: SURFACE MOUNT  
(USE C-228-X)

**THREADED INSERT OPTION**  
[NOT AVAILABLE ON 30 POS]  
\* -E: TI-2-56-115 (ENGLISH)  
\* -M: TI-M2-4-115-N (METRIC)  
(SEE FIG. 2, SHEET 2)  
\* -TI: NO INSERTS PLACED IN BODY  
(SEE TABLE 1 ON SHEET 2 FOR  
-TI POSITIONAL OFFERINGS)

**OPTION**  
-LC: LOCKING CLIPS  
(USE LC-09-TM) (SEE NOTE 13)  
[N/A WITH THREADED INSERT OPTION  
-E, -M OR -TI]

**ROW SPECIFICATION**  
-S: SINGLE (USE SIBC-XX-02-S)

\* AVAILABLE TO EXISTING CUSTOMERS ONLY



**TABLE 2: COPLANARITY**

| POSITIONS    | "A"        |
|--------------|------------|
| -02 THRU -19 | .004 [.10] |
| -20 THRU -30 | .006 [.15] |

NOTES:

1. REPRESENTS A CRITICAL DIMENSION.
2. COPLANARITY: SEE TABLE 2.
3. BURR ALLOWANCE: .0015 [.038] MAX.
4. MAXIMUM CUT FLASH: .010 [.3], CAN NOT EXTEND PAST TAIL.
5. MINIMUM PUSHOUT FORCE: 1 LB.
6. MAXIMUM ALLOWABLE BOW: .004 [.10] INCH/INCH AFTER ASSEMBLY.
7. THREADED INSERT MUST HANDLE 25 IN-OZ OF TORQUE WITHOUT ROTATING OR LOOSENING.
8. THREADED INSERT RETENTION: 10 LBS. MINIMUM.
9. MAX VARIATION FROM PIN TO PIN TO BE .002.
10. MEASURED ON UNCUT PARTS.
11. NOTE DELETED.
12. NOTE DELETED.
13. DUE TO THE HIGH AMOUNT OF INSERTION FORCE NEEDED, THE -LC OPTION IS NOT COMPATIBLE WITH AUTO PLACEMENT. SAMTEC RECOMMENDS MANUAL PLACEMENT FOR ALL ASSEMBLIES WITH THE -LC OPTION.

UNLESS OTHERWISE SPECIFIED, DIMENSIONS ARE IN INCHES.  
TOLERANCES ARE:  
DECIMALS ANGLES  
.XX: ±.01 [.3] 2°  
.XXX: ±.005 [.13]  
.XXXX: ±.0020 [.051]

**PROPRIETARY NOTE**  
THIS DOCUMENT CONTAINS CONFIDENTIAL AND PROPRIETARY INFORMATION AND ALL DESIGN, MANUFACTURING, REPRODUCTION, USE, PATENT RIGHTS AND SALES RIGHTS ARE EXPRESSLY RESERVED BY SAMTEC, INC. THIS DOCUMENT SHALL NOT BE DISCLOSED, IN WHOLE OR PART, TO ANY UNAUTHORIZED PERSON OR ENTITY NOR REPRODUCED, TRANSFERRED OR INCORPORATED IN ANY OTHER PROJECT IN ANY MANNER WITHOUT THE EXPRESS WRITTEN CONSENT OF SAMTEC, INC.



520 PARK EAST BLVD, NEW ALBANY, IN 47150  
PHONE: 812-944-6733 FAX: 812-948-5047  
e-Mail info@SAMTEC.com code 55322

**MATERIAL:** DO NOT SCALE DRAWING SHEET SCALE: 2:1  
INSULATOR: LCP, COLOR: BLACK  
CONTACT: PHOSPHOR BRONZE

**DESCRIPTION:**  
.100 SINGLE INTERFACE BEAM ASSEMBLY

**DWG. NO.**  
SIB-1XX-XX-XX-S-XX-XX

**BY:** DEAN P 9/20/2000 SHEET 1 OF 2

FIG 2  
SIB-120-02-X-S-E SHOWN

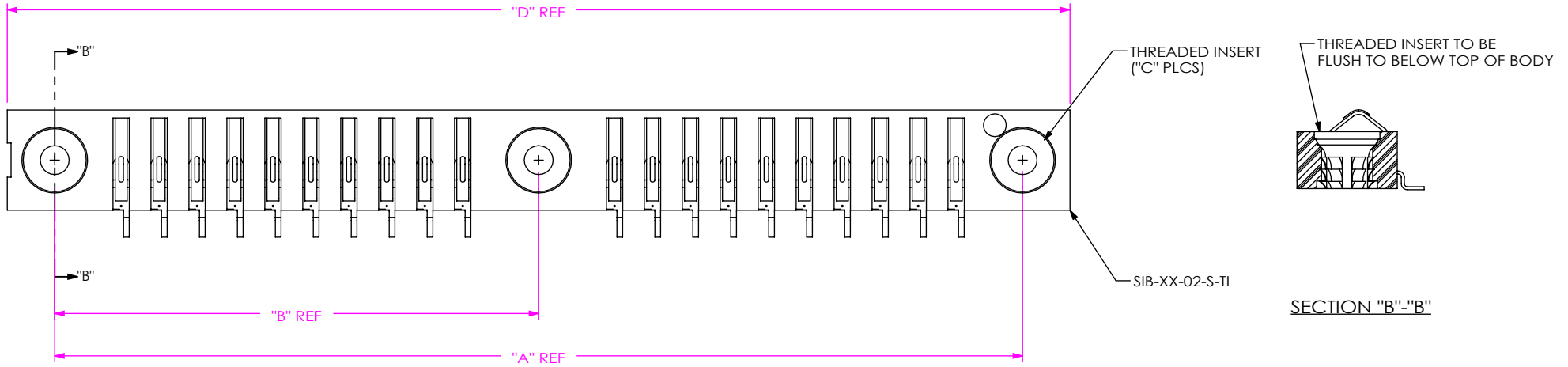
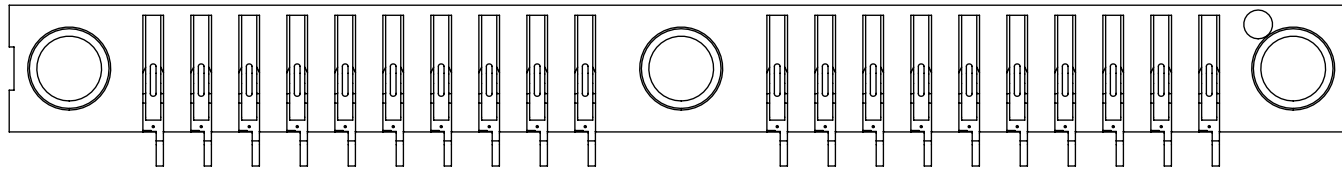


FIG 3  
SIB-120-02-X-S-TI SHOWN

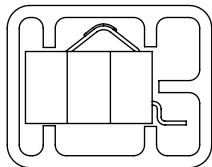


**TABLE 1: THREADED INSERT OPTION**

| POS | "A"          | "B"          | "C" | "D"          |
|-----|--------------|--------------|-----|--------------|
| -05 | .750[19.05]  | N/A          | 2   | 1.000[25.40] |
| -10 | 1.250[31.75] | N/A          | 2   | 1.500[38.10] |
| -15 | 1.750[44.45] | N/A          | 2   | 2.000[50.80] |
| -20 | 2.550[64.77] | 1.275[32.39] | 3   | 2.800[71.12] |
| -25 | 3.050[77.47] | 1.475[37.47] | 3   | 3.300[83.82] |

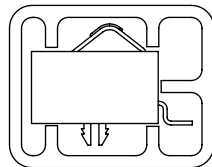
**PACKAGING VIEW**  
(PARTS TO HAVE POSITION #1 LOADED IN SAME DIRECTION AS ARROW ON TUBE)

NO -LC OPTION



TUBE: PT-1-24-01-118  
PLUG: TP-03

-LC OPTION



TUBE: PT-1-24-01-118  
PLUG: TP-03

F:\DWG\MISC\MKTG\SIB-1XX-XX-XX-S-XX-XX-MKT.SLDDRW

**PROPRIETARY NOTE**  
THIS DOCUMENT CONTAINS CONFIDENTIAL AND PROPRIETARY INFORMATION AND ALL DESIGN, MANUFACTURING, REPRODUCTION, USE, PATENT RIGHTS AND SALES RIGHTS ARE EXPRESSLY RESERVED BY SAMTEC, INC. THIS DOCUMENT SHALL NOT BE DISCLOSED, IN WHOLE OR PART, TO ANY UNAUTHORIZED PERSON OR ENTITY NOR REPRODUCED, TRANSFERRED OR INCORPORATED IN ANY OTHER PROJECT IN ANY MANNER WITHOUT THE EXPRESS WRITTEN CONSENT OF SAMTEC, INC.

DO NOT SCALE DRAWING

SHEET SCALE: 2.5:1



520 PARK EAST BLVD, NEW ALBANY, IN 47150  
PHONE: 812-944-6733 FAX: 812-948-5047  
e-Mail info@SAMTEC.com code 55322

DESCRIPTION:  
.100 SINGLE INTERFACE BEAM ASSEMBLY

DWG. NO.  
**SIB-1XX-XX-XX-S-XX-XX**

BY: DEAN P 9/20/2000 SHEET 2 OF 2