

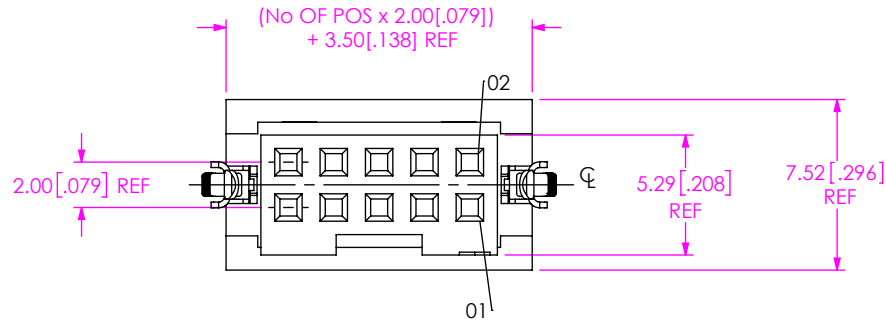
NOTES:

1. LATCH RETENTION FORCE: 2.22N [.5LB]
2. DUAL POLARIZATION FEATURE NOT AVAILABLE ON BODIES LESS THAN 5 POSITIONS.
3. PARTS TO BE PACKAGED IN TUBES.

ANY REVISION MADE TO THIS PRINT MUST HAVE AN UPDATED MKT PRINT

DO NOT SCALE FROM THIS PRINT

DESIGNED & DIMENSIONED IN MILLIMETERS [INCHES]

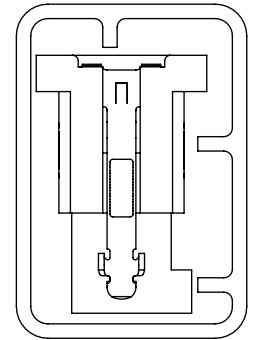
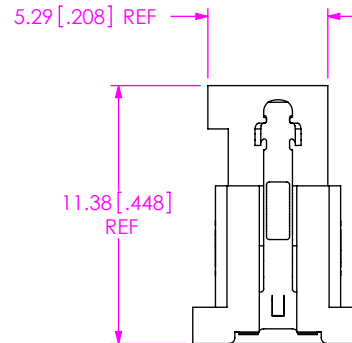
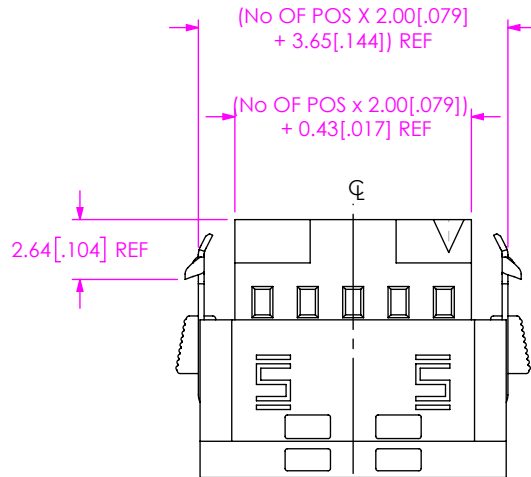
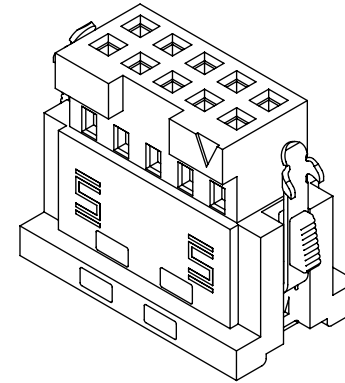


ISD2-XX-D-X

No OF POSITIONS
 -02 THRU -50 (PER ROW)

OPTION
 LEAVE BLANK FOR STANDARD BODY
 -M: METAL RETENTION LATCH
 -S: DUAL SCREW DOWN

ROW SPECIFICATION
 -D: DOUBLE ROW



TUBE: PT-1-24-01-106
 PLUG: TP-07
 PACKAGING VIEW

FIG 1
 ISD2-05-D-M SHOWN

UNLESS OTHERWISE SPECIFIED, DIMENSIONS ARE IN MILLIMETERS. TOLERANCES ARE:
 DECIMALS ANGLES
 X.X: ± 0.3 [.01] 2°
 X.XX: ± 0.13 [.005]
 X.XXX: ± 0.051 [.0020]

PROPRIETARY NOTE
 THIS DOCUMENT CONTAINS CONFIDENTIAL AND PROPRIETARY INFORMATION AND ALL DESIGN, MANUFACTURING, REPRODUCTION, USE, PATENT RIGHTS AND SALES RIGHTS ARE EXPRESSLY RESERVED BY SAMTEC, INC. THIS DOCUMENT SHALL NOT BE DISCLOSED, IN WHOLE OR PART, TO ANY UNAUTHORIZED PERSON OR ENTITY NOR REPRODUCED, TRANSFERRED OR INCORPORATED IN ANY OTHER PROJECT IN ANY MANNER WITHOUT THE EXPRESS WRITTEN CONSENT OF SAMTEC, INC.

samtec
 520 PARK EAST BLVD, NEW ALBANY, IN 47150
 PHONE: 812-944-6733 FAX: 812-948-5047
 e-Mail: info@SAMTEC.com code 55322

MATERIAL: DO NOT SCALE DRAWING SHEET SCALE: 3:1
 INSULATOR: LCP, COLOR: BLACK
 LATCH STAMPING: BeCu
 LATCH OVERMOLDING: NYLON, COLOR: WHITE
 BUTTON: NYLON, COLOR: WHITE

DESCRIPTION:
 2mm DISCRETE WIRE INSULATOR & LATCH ASM
 DWG. NO. ISD2-XX-D-X

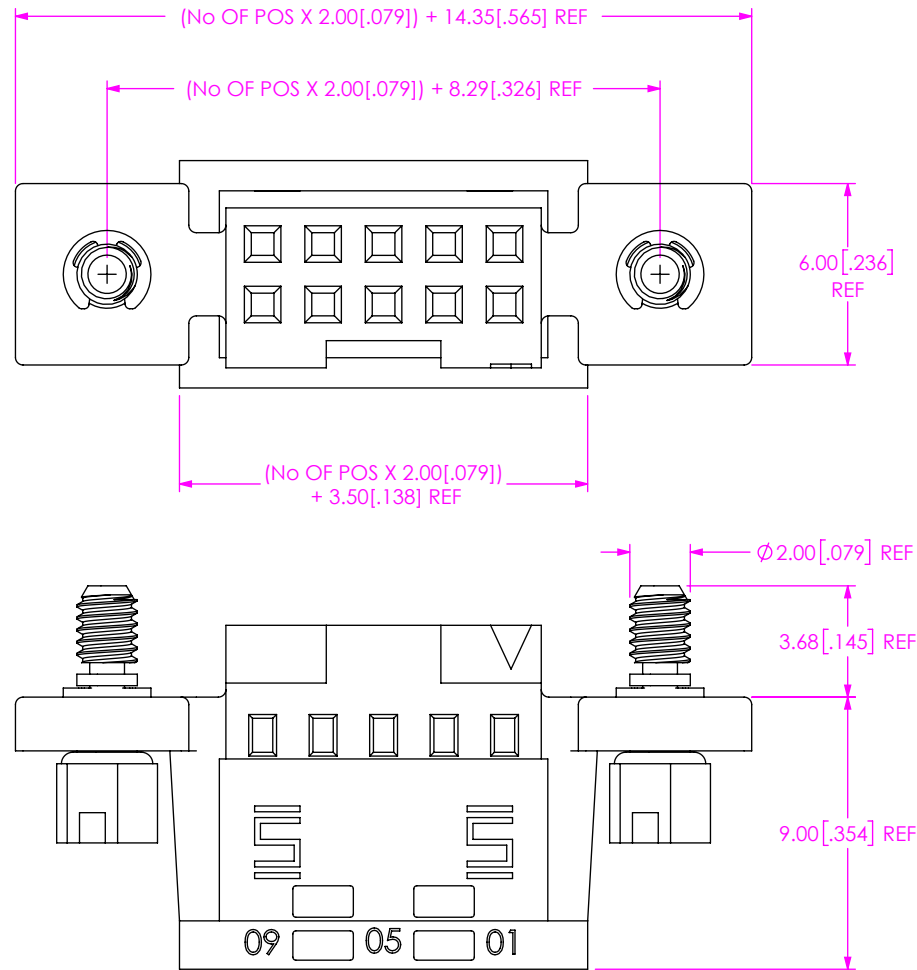
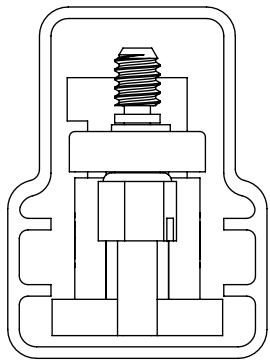


FIG 2
 -S: DUAL SCREW DOWN OPTION
 ISD2-05-D-S SHOWN
 (DIFFERENT AS SHOWN, OTHERWISE SAME AS FIG 1)



TUBE: PT-SEAMP003-6
 PLUG: TP-07

PACKAGING VIEW
 -S OPTION

* PROPRIETARY NOTE *
 THIS DOCUMENT CONTAINS CONFIDENTIAL AND PROPRIETARY INFORMATION AND ALL DESIGN, MANUFACTURING, REPRODUCTION, USE, PATENT RIGHTS AND SALES RIGHTS ARE EXPRESSLY RESERVED BY SAMTEC, INC. THIS DOCUMENT SHALL NOT BE DISCLOSED, IN WHOLE OR PART, TO ANY UNAUTHORIZED PERSON OR ENTITY NOR REPRODUCED, TRANSFERRED OR INCORPORATED IN ANY OTHER PROJECT IN ANY MANNER WITHOUT THE EXPRESS WRITTEN CONSENT OF SAMTEC, INC.

DO NOT SCALE DRAWING

SHEET SCALE: 4:1



520 PARK EAST BLVD, NEW ALBANY, IN 47150
 PHONE: 812-944-6733 FAX: 812-948-5047
 e-Mail info@SAMTEC.com code 55322

DESCRIPTION:
 2mm DISCRETE WIRE INSULATOR & LATCH ASM

DWG. NO. ISD2-XX-D-X

BY: VICKY Z 10/10/2014 SHEET 2 OF 3

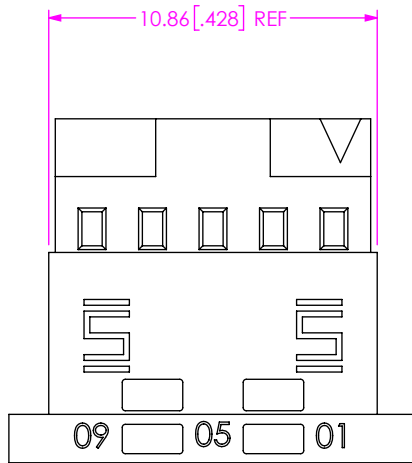
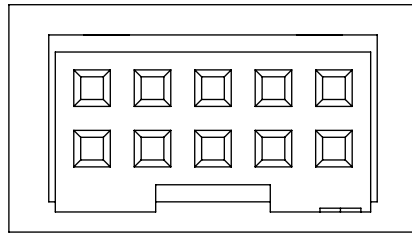
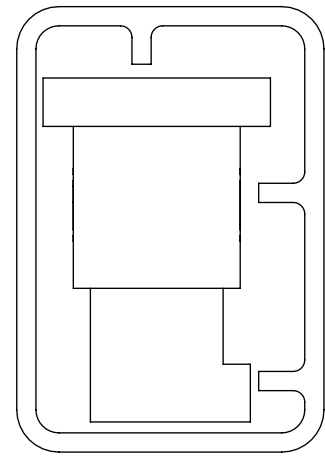
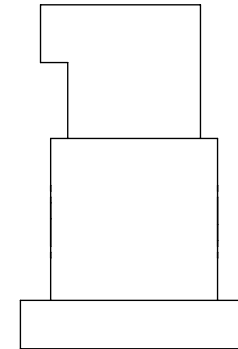


FIG 3
 ISD2-05-D SHOWN
 (DIFFERENT AS SHOWN, OTHERWISE SAME AS FIG 1)



TUBE: PT-1-24-01-106
 PLUG: TP-07
PACKAGING VIEW



<p>• PROPRIETARY NOTE • THIS DOCUMENT CONTAINS CONFIDENTIAL AND PROPRIETARY INFORMATION AND ALL DESIGN, MANUFACTURING, REPRODUCTION, USE, PATENT RIGHTS AND SALES RIGHTS ARE EXPRESSLY RESERVED BY SAMTEC, INC. THIS DOCUMENT SHALL NOT BE DISCLOSED, IN WHOLE OR PART, TO ANY UNAUTHORIZED PERSON OR ENTITY NOR REPRODUCED, TRANSFERRED OR INCORPORATED IN ANY OTHER PROJECT IN ANY MANNER WITHOUT THE EXPRESS WRITTEN CONSENT OF SAMTEC, INC.</p>	<p>samtec 520 PARK EAST BLVD, NEW ALBANY, IN 47150 PHONE: 812-944-6733 FAX: 812-948-5047 e-Mail info@SAMTEC.com code 55322</p>
<p>DO NOT SCALE DRAWING SHEET SCALE: 5:1</p>	<p>DESCRIPTION: 2mm DISCRETE WIRE INSULATOR & LATCH ASM DWG. NO. ISD2-XX-D-X</p>
	<p>BY: VICKY Z 10/10/2014 SHEET 3 OF 3</p>