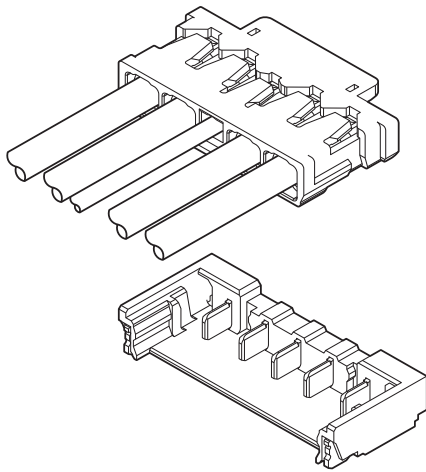


# AUH CONNECTOR

Wire-to-Board connectors/Crimp style and Mating style



The AUH series is an SMT, wire-to-board crimp style connector that combines both power supply and signal communication into one connector system. It features an exceptionally low profile with a mounting height of only 1.85 mm and an overall depth of 5.2 mm in the mated condition. For such a compact connector, it offers an impressive current rating of 5 A.

- Compact, low-profile and space-saving
- Top-entry header with side feed cable connector  
The mating direction runs vertical into the top-entry header while the cable connector runs parallel to the board surface.
- Power + Signal combination specifications  
3-circuit:  
Power supply 2-circuit + Signal 1-circuit  
5-circuit:  
Power supply 4-circuit + Signal 1-circuit
- Connector for DC power supply  
(max. 5 A current-carrying capacity)

## ■ Specifications

- Current rating:  
Power supply line/ 5 A AC/DC (AWG #22)  
Signal line/ 1 A AC/DC
- Voltage rating: 30 V AC/DC
- Temperature range: -25°C to +85°C  
(including temperature rise in applying electrical current)
- Contact resistance:  
Initial value/ 10 mΩ max.  
After environmental tests/ 20 mΩ max.
- Insulation resistance: 100 MΩ min.
- Withstanding voltage:  
There shall be no breakdown or flashover while applying 200 VAC for one minute.
- Applicable wire range:  
Power supply line  
Conductor size/ AWG #26 to AWG #22  
Insulation O.D./  $\phi$  0.98 mm to  $\phi$  1.16 mm  
Signal line  
Conductor size/ AWG #30 to AWG #28  
Insulation O.D./  $\phi$  0.5 mm to  $\phi$  0.63 mm
- \* Please refer to the "Handling Precautions for Terminals and Connectors" on our website (listed in the "Technical Documents" column on the Product Information page) before use.
- \* RoHS2 compliance
- \* Dimensional unit: mm
- \* Contact JST for details.

## ■ Standards

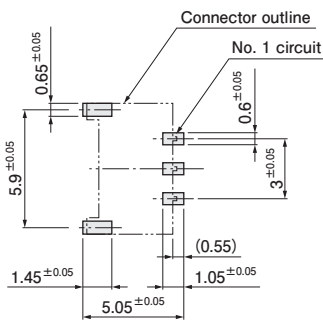
For information on overseas standard registrations, please refer to the "List of Registered Overseas Standards" on our website (listed in the "Technical Documents" column on the Product Information page).

- \* Specifications registered to overseas standards may differ from the general specifications listed above.

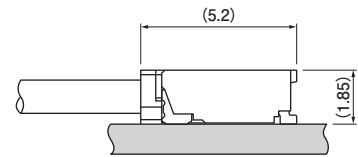
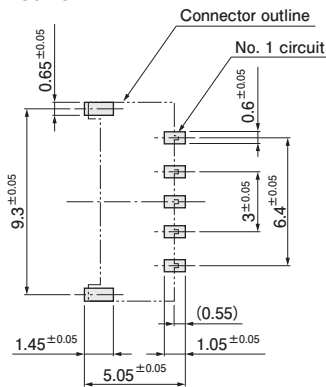
# AUH CONNECTOR

## PC board layout and Assembly layout

### <3 circuits>



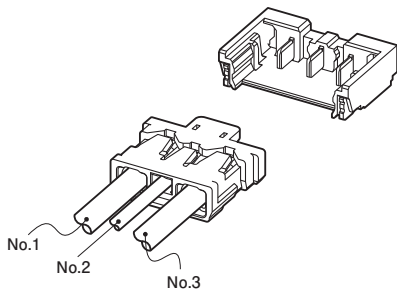
### <5 circuits>



Note: 1. The PC board layout figure shown is viewed from the connector mounting surface.  
 2. The above dimensions are for reference only. Please contact JST for further details.

## Maximum current combination for each line

### <3 circuits>



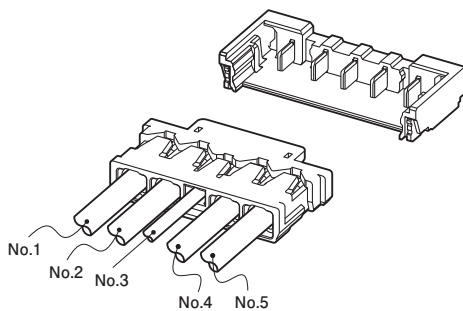
Power supply line: No.1, No.3  
 Signal line: No.2

Unit: A

No. of circuits	Wire size for power line	Circuits No.		
		No.1	No.2 <sup>Note)</sup>	No.3
3	AWG #22	5	1	5
	AWG #24	4	1	4
	AWG #26	3.5	1	3.5

Note: Applicable wire size for signal line (No.2) is AWG #30 to AWG #28.

### <5 circuits>



Power supply line: No.1, No.2, No.4, No.5  
 Signal line: No.3

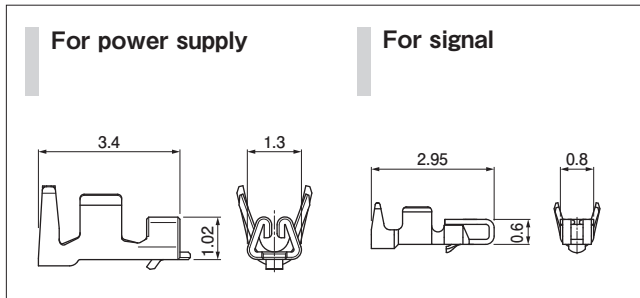
Unit: A

No. of circuits	Wire size for power line	Circuits No.				
		No.1	No.2	No.3 <sup>Note)</sup>	No.4	No.5
5	AWG #22	5	1	1	1	5
		4	4	1	4	4
	AWG #24	4	1	1	1	4
		3.5	3.5	1	3.5	3.5
	AWG #26	3.5	1	1	1	3.5
		3	3	1	3	3

Note: Applicable wire size for signal line (No.3) is AWG #30 to AWG #28.

# AUH CONNECTOR

## Contact

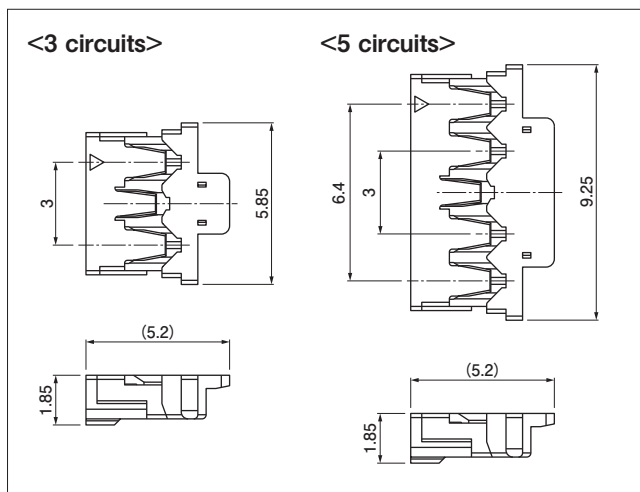


	Model No.	Applicable wire range		Q'ty/ reel
		Conductor size AWG (mm <sup>2</sup> )	Insulation O.D. (mm)	
Power supply	SAUH-001G-M0.2	#26 to #22 (0.13 to 0.33)	0.98 to 1.16	18,000
Signal	SACH-003G-P0.2	#30 to #28 (0.05 to 0.08)	0.5 to 0.63	30,000
Material and Surface finish, etc.				
Copper alloy, gold-plated				

Model No.	Applicable wire range		Crimping machine	Applicator	Crimp applicator with dies
	Conductor size AWG (mm <sup>2</sup> )	Insulation O.D. (mm)			
SAUH-001G-M0.2	#26 to #24 (0.13 to 0.21)	0.98 to 1.11	AP-K2N	MKS-L-10	APLMK SAUH001-02
	#22 (0.33)	0.98 to 1.16			APLMK SAUH001-02-K
SACH-003G-P0.2	#30 to #28 (0.05 to 0.08)	0.5 to 0.63		MKS-L-10-3	APLMK SACH003-02

Note: Contact JST for fully automatic crimping applicator

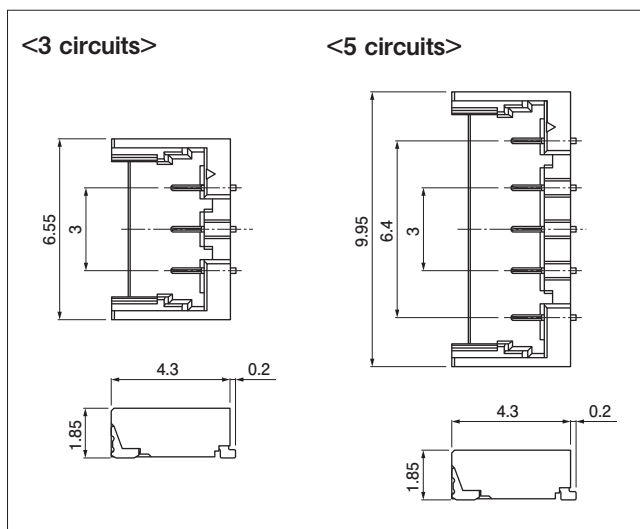
## Housing



No. of circuits	Model No.	Q'ty/box
3	AUHR-03V-H	1,000
5	AUHR-05V-H	1,000
Material and Surface finish, etc.		
PBT, gray		

Note: For flame retardant grade of resin material used, please refer to the "List of Registered Overseas Standards" on our website (listed in the "Technical Documents" column on the Product Information page).

## Header



No. of circuits	Model No.	Q'ty/reel
3	BM03B-AUHKS-GA-TB	5,000
5	BM05B-AUHKS-GA-TB	5,000
Material and Surface finish, etc.		
Base contact: Copper alloy, selective gold-plated Base housing: PA (Heat resistance), black Reinforcement: Copper alloy, tin-plated		

Note: 1. This product displays (LF)(SN) on a label.  
2. For flame retardant grade of resin material used, please refer to the "List of Registered Overseas Standards" on our website (listed in the "Technical Documents" column on the Product Information page).

## Model number allocation

### Contact

	<b>S</b>	<b>AUH -</b>	<b>001</b>	<b>G -</b>	<b>M</b>	<b>0.2</b>
Supply form: Strip form						
Series name						
Applicable wire range: AWG #26 to AWG #22						
Surface finish: Gold-plated						
Material: Copper alloy						
Applicable contact size						

	<b>S</b>	<b>ACH -</b>	<b>003</b>	<b>G -</b>	<b>P</b>	<b>0.2</b>
Supply form: Strip form						
Series name						
Applicable wire range: AWG #30 to AWG #28						
Surface finish: Gold-plated						
Material: Copper alloy						
Applicable contact size						

### Housing

	<b>AUH</b>	<b>R -</b>	<b>03</b>	<b>V -</b>	<b>H</b>
Series name					
Type: For receptacle contact					
No. of circuits					
Sub model number					
Color: Gray					

### Header

	<b>BM</b>	<b>03</b>	<b>B -</b>	<b>AUH</b>	<b>K</b>	<b>S -</b>	<b>GA -</b>	<b>TB</b>
Header type: SMT top entry type								
No. of circuits								
Assembly product								
Series name								
Color: Black								
Sub model number								
Surface finish: Selective gold-plated								
Packaging style: Embossed taping								