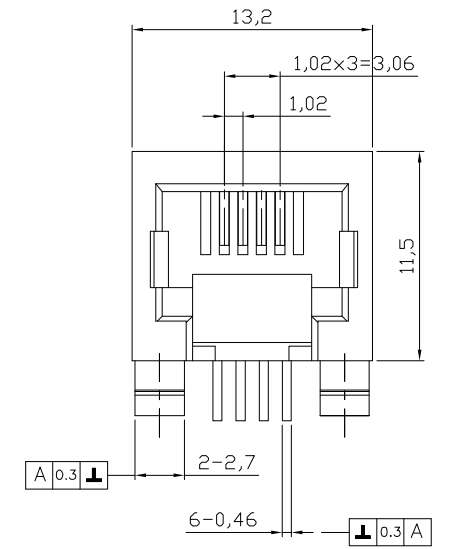


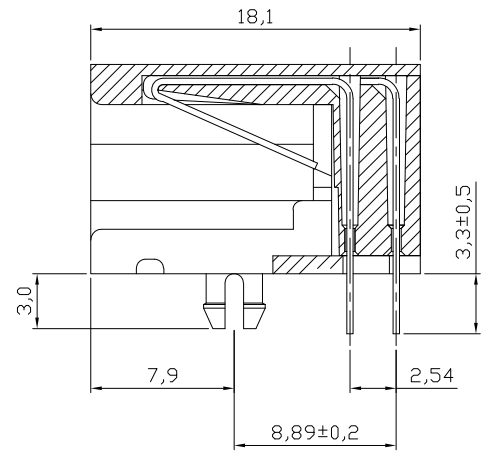
1 2 3 4 5 6 7

A



A

B



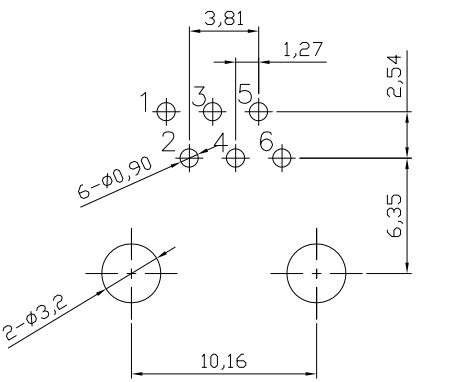
B

C

NOTES:
Mechanical:
 1. Housing material : Glass Filled Polyester UL94V-0 , Color: Black
 2. Contact material: Phosphor Bronze t=0.35mm
 3. Contact plating: Contact area---Selective gold plating
 Tails---Tin plated all over 50u" Nickel
 4. Operating Life: 750 Cycles min.
 5. PCB Retention Pre-solder: 1 LB min.
 6. PCB Retention Post-solder: 10 LBS min.
Electrical:
 1. Voltage Rating: 125VAC.
 2. Current Rating: 1.5AMP.
 3. Contact Resistance: 35mΩ max.
 4. Insulation Resistance: 1000MΩ min. @ 500 VDC
 5. Dielectric Strength: 1000 VAC 60Hz, 1 min.
Environmental:
 1. Storage: -40°C To +85°C
 2. Operation: -40°C~+85°C
 3. Wave Soldering Temp: 200~220°C(5~10S)
 Packing: 120pcsTray, 3360pcs/Carton

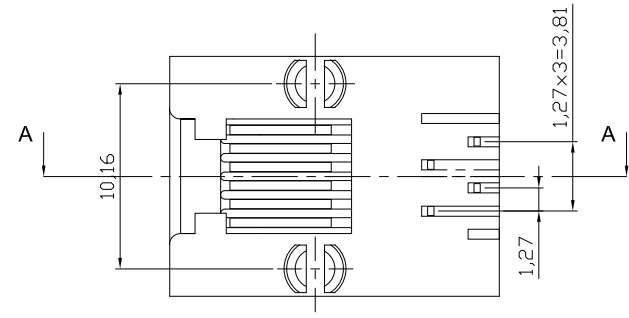
C

D



D

E



E

Order code: A-2004-0-X-LP-N
 Contact plating:
 1: selective 15u" gold
 2: selective 30u" gold
 3: selective 50u" gold
 4: selective 6u" gold

F

F

RoHS compliant
Unit:mm

Scale	Free							Date	Name	Customer-No.
TOLERANCE								Drawn	27.05.2013	Amy
X.X	±0.20							Approved	27.05.2013	Amy
X.XX	±0.15									
X.XXX	±0.10									
DIM	TOL									
		①	Drawn		27.05.2013		Amy			
Angle	±5°	Id.	Modification		Date		Name			

ASSMANN WSW-No.
A-2004-0-X-LP-N



Drawing-No.
ASS 5683 CO rev00
Replace SHEET

H

H

1 2 3 4 5 6 7