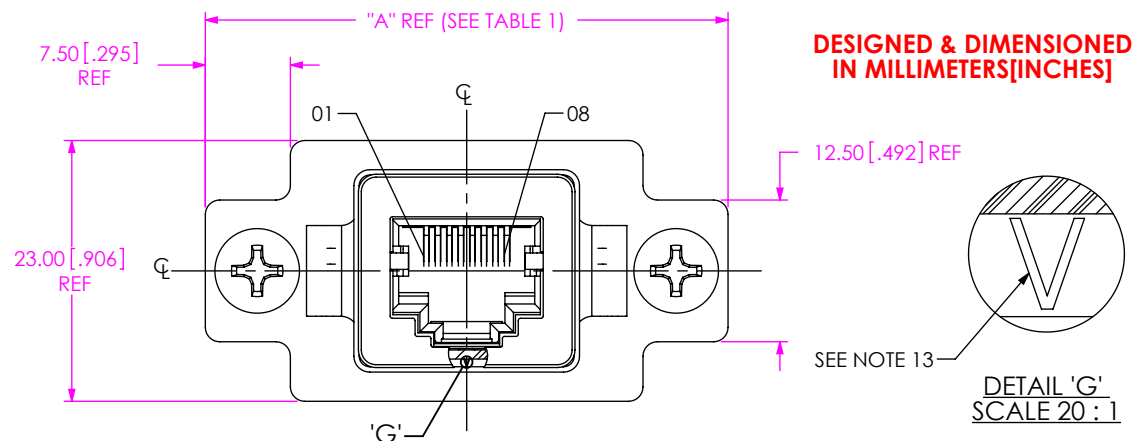


DO NOT SCALE FROM THIS PRINT



DESIGNED & DIMENSIONED IN MILLIMETERS [INCHES]

RPBE-XX-XX-X

No. OF PORTS
-01, -02

LEAD STYLE
-01: RIGHT ANGLE

PLATING SPECIFICATION
-E: SELECTIVE, 0.00127 MIN GOLD ON CONTACT, FLASH GOLD ON TAIL

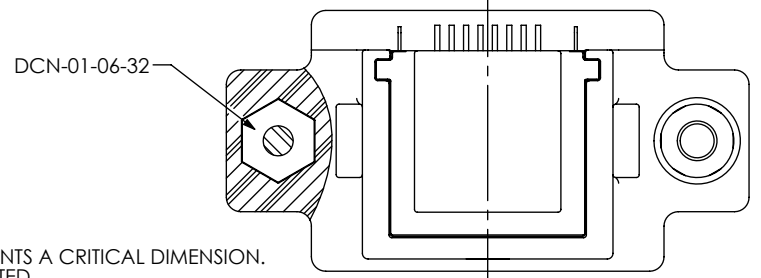
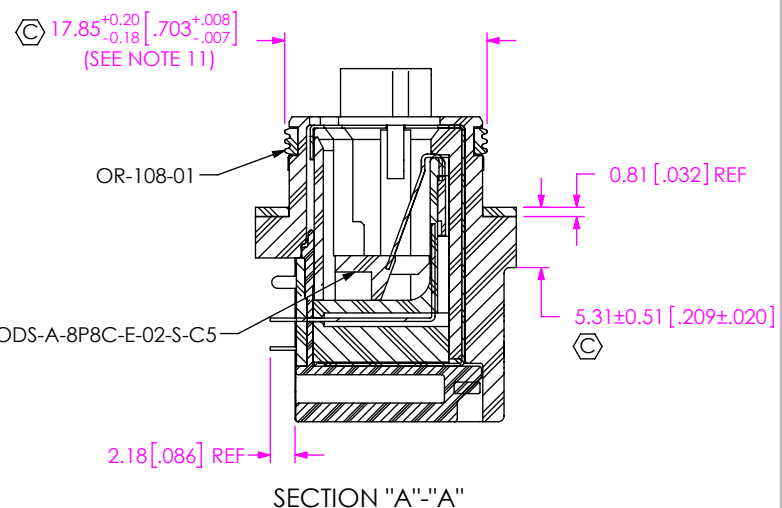
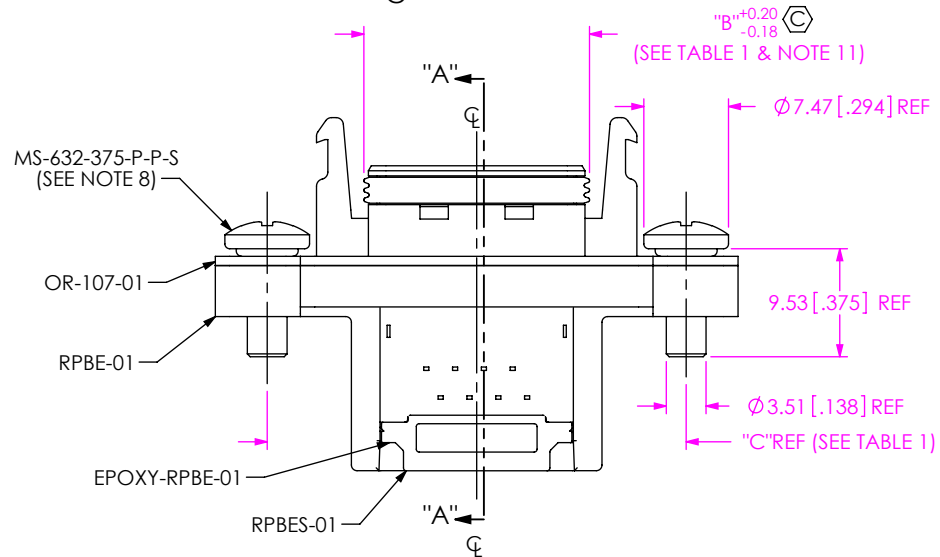
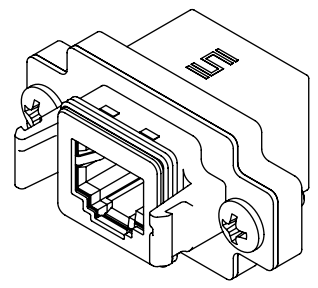


FIG 1
RPBE-01-01-E SHOWN

- NOTES:
1. Ⓢ REPRESENTS A CRITICAL DIMENSION.
 2. NOTE DELETED.
 3. MINIMUM PUSHOUT FORCE: 4.4N [1.00 LB]
 4. MAXIMUM ALLOWABLE BOW: 0.05 [0.002] MM/MM AFTER ASSEMBLY.
 5. PANEL THICKNESS: 0.76 [0.030] - 3.96 [0.156], RECOMMENDED PANEL CUT OUT ON SHEET 3.
 6. SEE EPOXY-RPBE-XX FOR CURING INSTRUCTIONS.
 7. PARTS TO BE OVEN CURED AT 200°C FOR 10 MINUTES.
 8. SEALING O-RING IS INCLUDED WITH MS-632-375-P-P-S.
 9. ALL PARTS MUST BE PACKAGED IN TUBES.
 10. REQUIRED TORQUE ON MS-632-375-P-P-S FOR RPBE-01-01-E: 0.32Nm±0.07 [45IN-OZ±10] FOR RPBE-02-01-E: 0.46Nm±0.04 [65IN-OZ±5]
 11. MEASURE O-RING IN THE CENTER OF THE PART.
 12. EPOXY TO SEAL/WICK AROUND ALL WALLS/CONTACT TAILS.
 13. OR-108-XX POSITION INDICATOR.

F:\DWG\MISC\MKTG\RPBE-XX-XX-X-MKT.SLDDRW

NO OF PORTS	"A"	"B"	"C"
-01	46.10 [1.815]	19.90 [0.783]	36.95 [1.455]
-02	67.10 [2.642]	40.90 [1.610]	57.95 [2.281]

UNLESS OTHERWISE SPECIFIED, DIMENSIONS ARE IN MILLIMETERS.

TOLERANCES ARE:

DECIMALS	ANGLES
X.X: ±0.3 [01]	2°
X.XX: ±0.13 [005]	
X.XXX: ±0.051 [0020]	

MATERIAL: DO NOT SCALE DRAWING

INSULATOR: LCP, COLOR: BLACK
CONTACT: PHOS BRONZE
SEAL: NBR
SHIELD: COPPER ALLOY
SCREW: STAINLESS STEEL
NUT: STAINLESS STEEL
O-RING: SILICONE
EPOXY: DIELECTRIC SILICON

PROPRIETARY NOTE
THIS DOCUMENT CONTAINS CONFIDENTIAL AND PROPRIETARY INFORMATION AND ALL DESIGN, MANUFACTURING, REPRODUCTION, USE, PATENT RIGHTS AND SALES RIGHTS ARE EXPRESSLY RESERVED BY SAMTEC, INC. THIS DOCUMENT SHALL NOT BE DISCLOSED, IN WHOLE OR PART, TO ANY UNAUTHORIZED PERSON OR ENTITY NOR REPRODUCED, TRANSFERRED OR INCORPORATED IN ANY OTHER PROJECT IN ANY MANNER WITHOUT THE EXPRESS WRITTEN CONSENT OF SAMTEC, INC.

SHEET SCALE: 3:2

520 PARK EAST BLVD, NEW ALBANY, IN 47150
PHONE: 812-944-6733 FAX: 812-948-5047
e-Mail: info@SAMTEC.com code 55322

DESCRIPTION:
SEAL RECTANGULAR ETHERNET

DWG. NO.
RPBE-XX-XX-X

BY: T NEWTON 11/17/2009 SHEET 1 OF 4

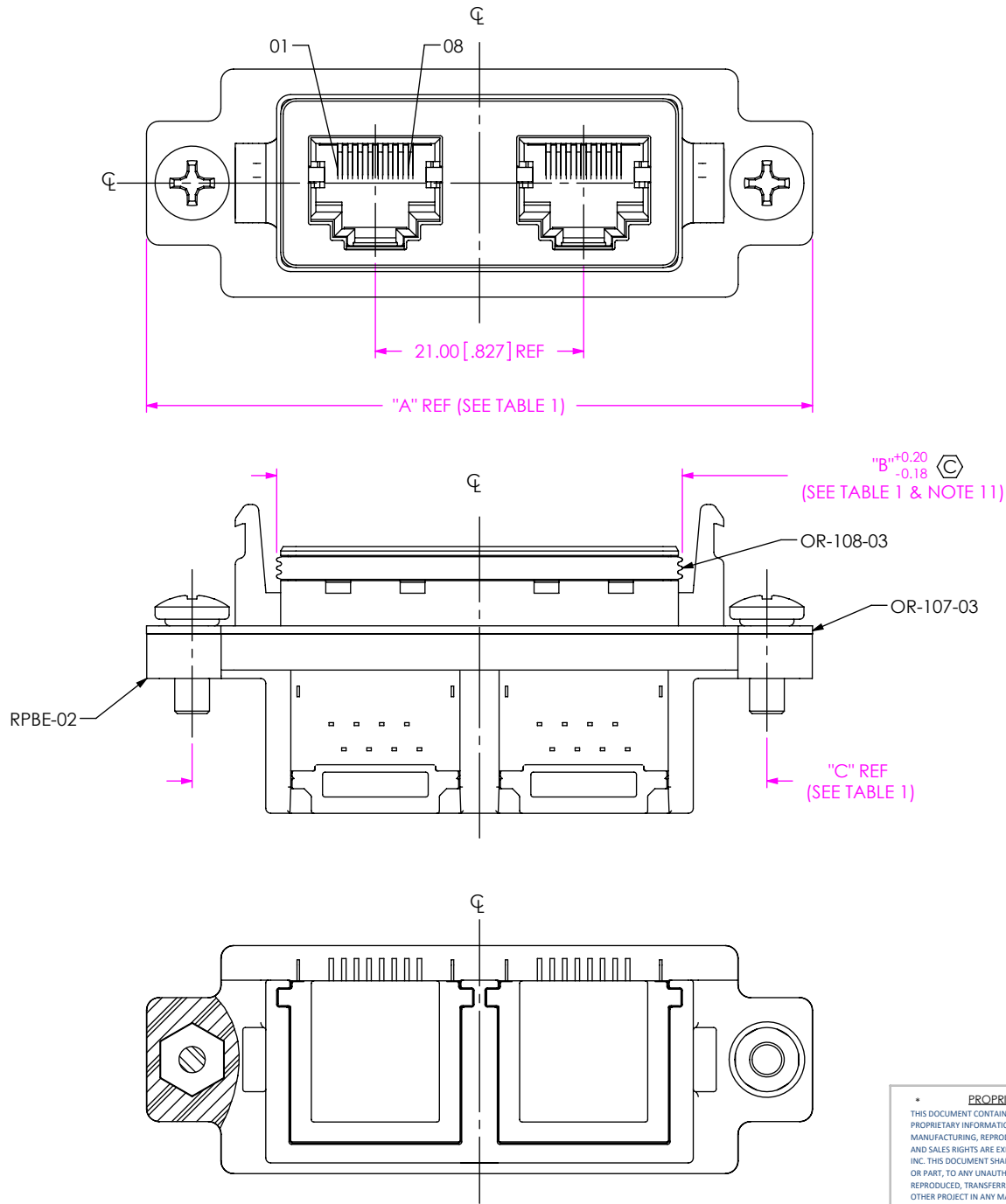


FIG 2
 RPBE-02-01-E SHOWN
 (SAME AS FIG 1, EXCEPT AS SHOWN)

PROPRIETARY NOTE
 THIS DOCUMENT CONTAINS CONFIDENTIAL AND PROPRIETARY INFORMATION AND ALL DESIGN, MANUFACTURING, REPRODUCTION, USE, PATENT RIGHTS AND SALES RIGHTS ARE EXPRESSLY RESERVED BY SAMTEC, INC. THIS DOCUMENT SHALL NOT BE DISCLOSED, IN WHOLE OR PART, TO ANY UNAUTHORIZED PERSON OR ENTITY NOR REPRODUCED, TRANSFERRED OR INCORPORATED IN ANY OTHER PROJECT IN ANY MANNER WITHOUT THE EXPRESS WRITTEN CONSENT OF SAMTEC, INC.

DO NOT SCALE DRAWING

SHEET SCALE: 1.75:1

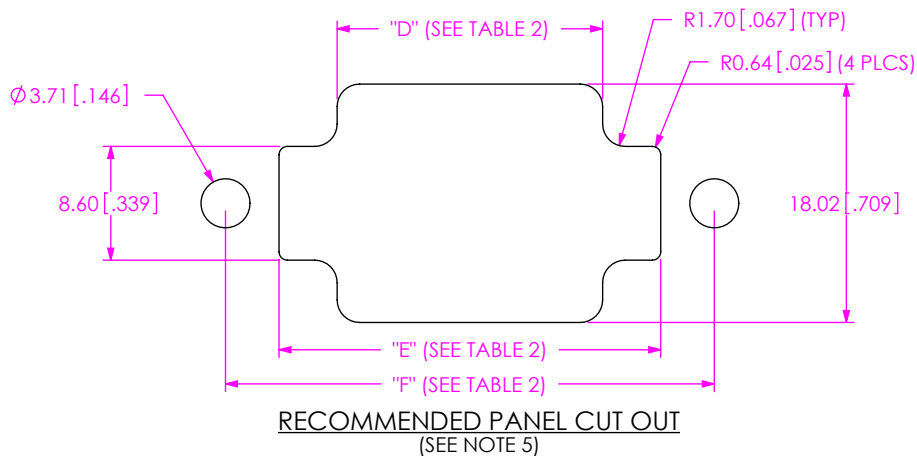
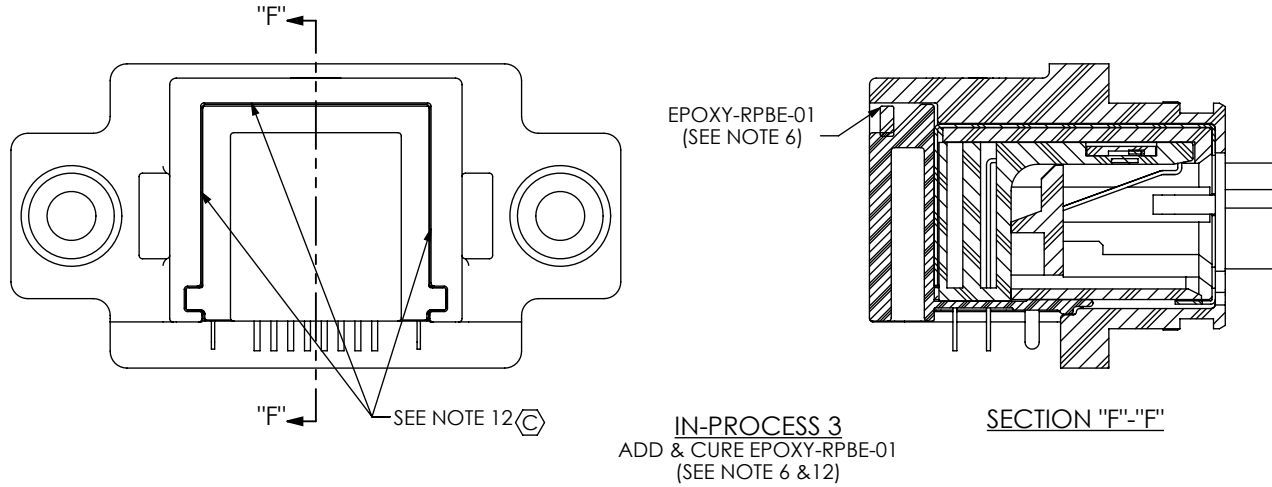
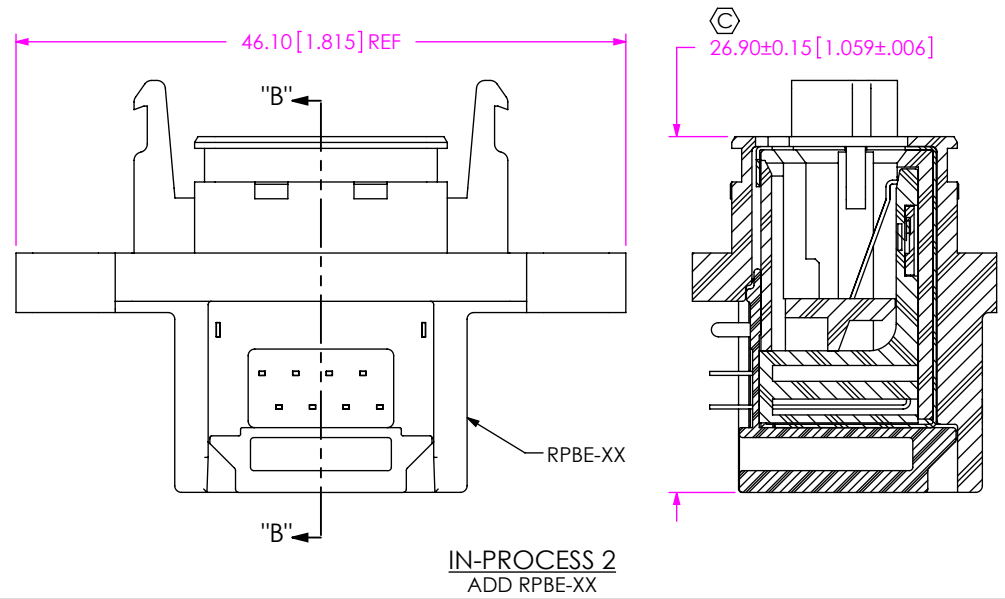
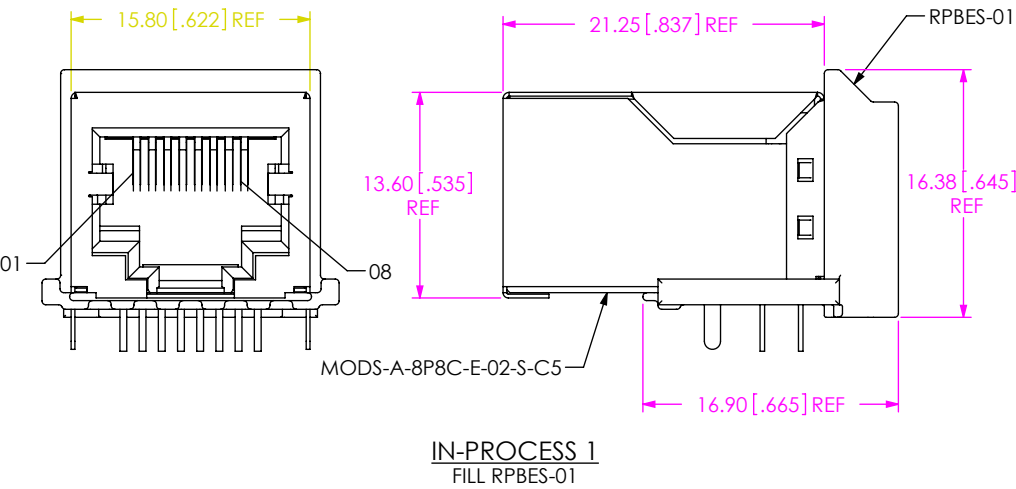
samtec

520 PARK EAST BLVD, NEW ALBANY, IN 47150
 PHONE: 812-944-6733 FAX: 812-948-5047
 e-Mail info@SAMTEC.com code 55322

DESCRIPTION: SEAL RECTANGULAR ETHERNET

DWG. NO. RPBE-XX-XX-X

BY: T NEWTON 11/17/2009 SHEET 2 OF 4



NO OF PORTS	"D"	"E"	"F"
-01	20.07 [0.790]	28.85 [1.136]	36.95 [1.455]
-02	41.07 [1.617]	49.85 [1.963]	57.95 [2.281]

PROPRIETARY NOTE

THIS DOCUMENT CONTAINS CONFIDENTIAL AND PROPRIETARY INFORMATION AND ALL DESIGN, MANUFACTURING, REPRODUCTION, USE, PATENT RIGHTS AND SALES RIGHTS ARE EXPRESSLY RESERVED BY SAMTEC, INC. THIS DOCUMENT SHALL NOT BE DISCLOSED, IN WHOLE OR PART, TO ANY UNAUTHORIZED PERSON OR ENTITY NOR REPRODUCED, TRANSFERRED OR INCORPORATED IN ANY OTHER PROJECT IN ANY MANNER WITHOUT THE EXPRESS WRITTEN CONSENT OF SAMTEC, INC.

DO NOT SCALE DRAWING

SHEET SCALE: 1:75:1

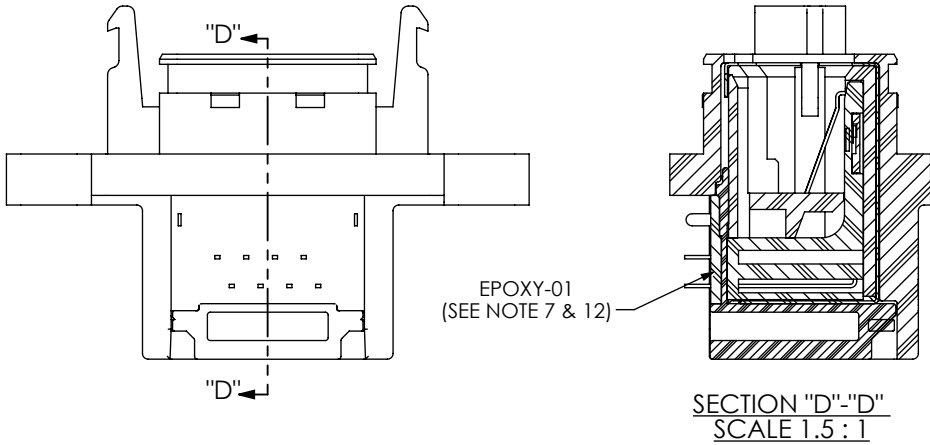
samtec

520 PARK EAST BLVD, NEW ALBANY, IN 47150
PHONE: 812-944-6733 FAX: 812-948-5047
e-Mail: info@SAMTEC.com code 55322

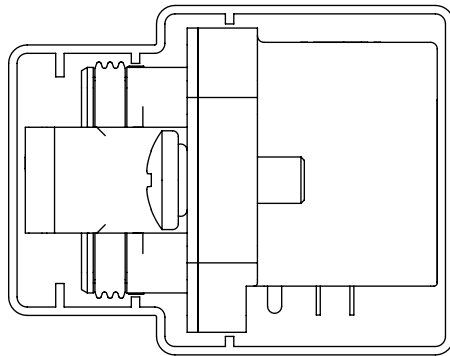
DESCRIPTION:
SEAL RECTANGULAR ETHERNET

DWG. NO.
RPBE-XX-XX-X

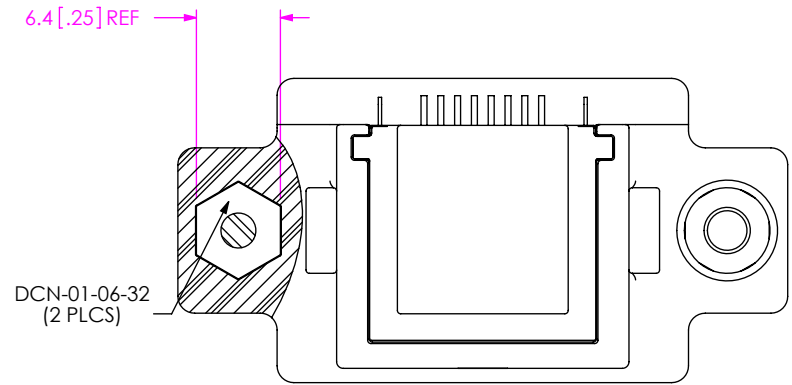
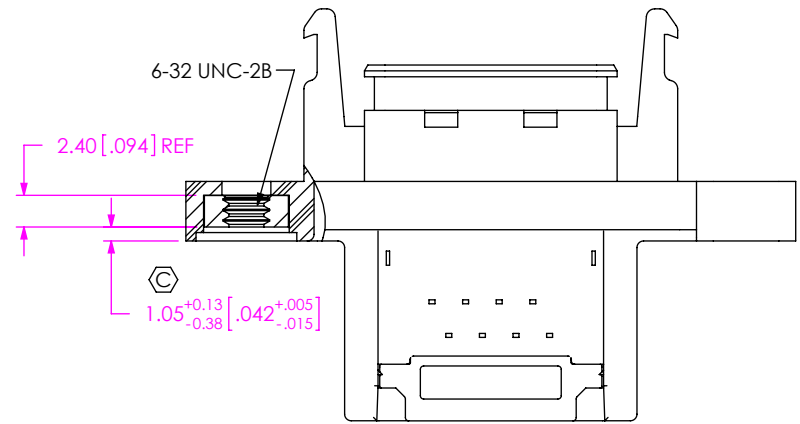
BY: T NEWTON 11/17/2009 SHEET 3 OF 4



IN-PROCESS 4
FILL EPOXY-01
(SEE NOTE 7 & 12)



PACKAGING VIEW
(SEE NOTE 9)



IN-PROCESS 5
FILL DCN-01-06-32 & HEAT STAKE

PROPRIETARY NOTE

THIS DOCUMENT CONTAINS CONFIDENTIAL AND PROPRIETARY INFORMATION AND ALL DESIGN, MANUFACTURING, REPRODUCTION, USE, PATENT RIGHTS AND SALES RIGHTS ARE EXPRESSLY RESERVED BY SAMTEC, INC. THIS DOCUMENT SHALL NOT BE DISCLOSED, IN WHOLE OR PART, TO ANY UNAUTHORIZED PERSON OR ENTITY NOR REPRODUCED, TRANSFERRED OR INCORPORATED IN ANY OTHER PROJECT IN ANY MANNER WITHOUT THE EXPRESS WRITTEN CONSENT OF SAMTEC, INC.

DO NOT SCALE DRAWING

SHEET SCALE: 1.75:1

samtec

520 PARK EAST BLVD, NEW ALBANY, IN 47150
PHONE: 812-944-6733 FAX: 812-948-5047
e-Mail info@SAMTEC.com code 55322

DESCRIPTION: SEAL RECTANGULAR ETHERNET

DWG. NO. RPBE-XX-XX-X

BY: T NEWTON 11/17/2009 SHEET 4 OF 4