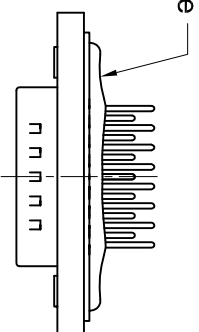
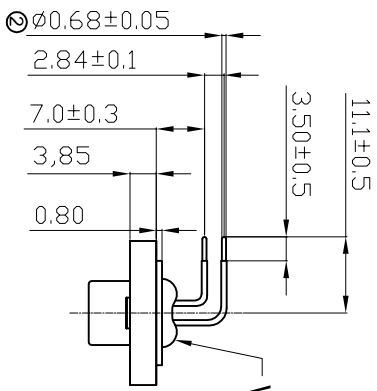
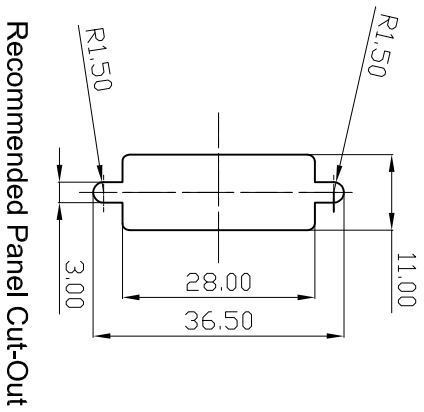
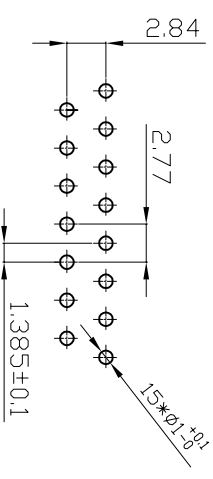
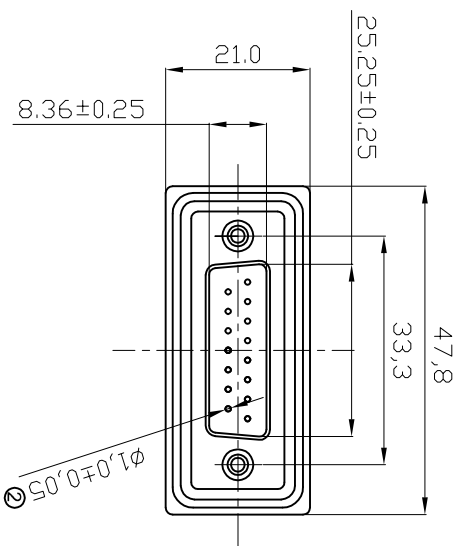
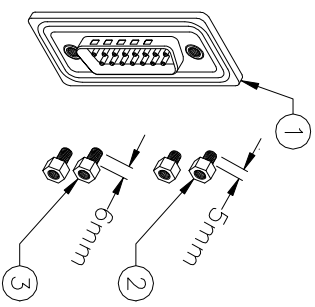


Panel Thickness
Screw L=5.0 For Panel Thickness Under 1.2mm
Screw L=6.0 For Panel Thickness Between 1.2-2.0mm



NOTES:
MATERIAL
1. Insulator Material: Black; NYLON+G/F
2. Contact Material : Copper Alloy
3. Plating : Gold Plating
4. Waterproof Rate: IP67
5. Do Mating Test After Glued



15 Pin Male Connector
PCB Pin Layout
Scale 2:1

RoHS compliant
Unit: mm

Scale	Free				
TOLERANCE	±0.25				
X.X	±0.10				
X.XXX	±0.05				
DIM	TOL	②	Cancel LOGO and change dimension	24.01.2018	Tom
ANGLE	±1°	①	Drawn	24.12.2008	JACK
X.X°	±X°				
Angle	TOL		Modification		

ASSMANN
components

Customer-No.
ASSMANN WSW-No.
A-DS 15 AA-WP

Drawing-No.
ASS 3255 CO
Replace
rev02
Sheet

1 2 3 4 5 6 7

H G G F E D C B A