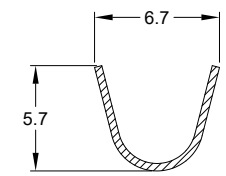
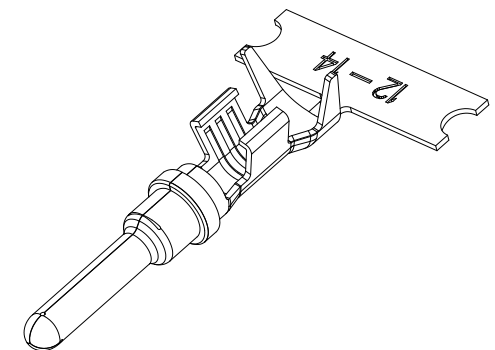
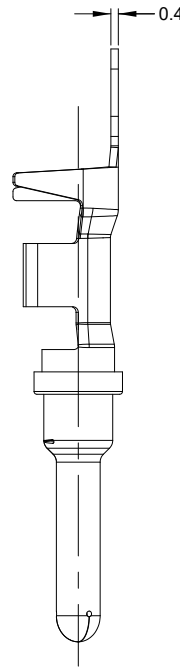
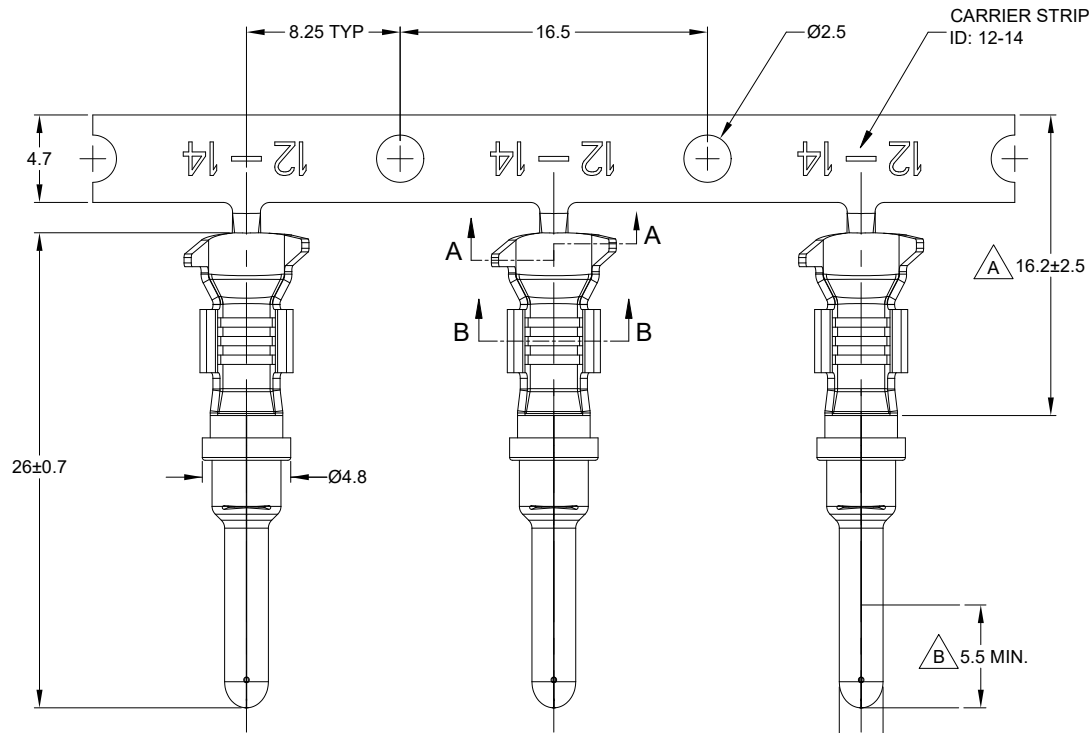
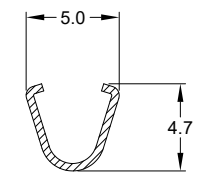


REVISIONS					
REV	ECO	DESCRIPTION	DATE	BY	APPR
A3	--	RELEASE NEW DWG FORMAT	21/OCT/13	DRP	-
A4	--	REVISED PLATING INFO	16/JUN/16	JAH	-
A5	C1070S	UPDATE DRAWING	21/JUN/19	JOE	TOMMY
B1	C1298S	UPDATE PLATING	14/SEP/20	SULLEN	TOMMY



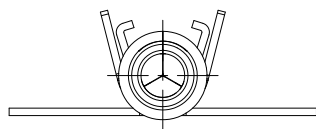
SECTION A-A



SECTION B-B

NOTES: UNLESS OTHERWISE SPECIFIED

- MATERIAL: COPPER ALLOY
- PLATING: SEE PART NUMBER CHART
- CONTACT SIZE: 12
- SPECIFICATIONS:
 - CURRENT RATING: 25 AMPS
 - CONTACT MILLIVOLT DROP: 100 MILLIVOLT DROP @ 25 AMP TEST CURRENT.
 - RoHS COMPLIANT
- RECOMMENDED WIRE RANGE: 12 - 14 AWG (4.0 - 2.0MM²)
RECOMMENDED INSUL O.D: 2.87 - 4.47MM (0.113 - 0.176INCH)
- PACKAGE: 2000 PCS/REEL
- AVAILABLE APPLICATORS: MFX-3973-K OR MFX-3973-G
- ALL DIMENSIONS ARE FOR REFERENCE USE ONLY



PART NUMBER CHART		
PLATING	PART NUMBER	PLATING DESCRIPTION
NICKEL	AT60-12-0166	SELECTIVE TIN OVER NICKEL OVERALL IN Δ ZONE
GOLD	AT60-12-0144	SELECTIVE GOLD FLASH OVER NICKEL OVERALL IN ∇ ZONE OR ENTIRE CONTACT
TIN	AT60-12-0177	TIN OVER NICKEL OVERALL

SEE PART NUMBER CHART		REF: 1060-12-0144, 1060-12-0166		
PART NUMBER		DESCRIPTION		ITEM
QUANTITY	MATERIALS LIST			
UNLESS OTHERWISE SPECIFIED 1) All dimensions are in metric(mm). 2) Tolerances are as follows: 1 PL DEC ±0.30 2 PL DEC ±0.15 3 PL DEC ±0.08 3) Note reference = Δ		SIGNATURES		DATE
DRAWN: SULLENZHANG		14/SEP/20		
CHECKED: ORONLI		15/SEP/20		
ENGINEER:		APPROVAL: TOMMY XIE		18/SEP/20
MATERIAL SPECIFICATIONS:		CUSTOMER:		
PROCESS SPECIFICATIONS:		THIS DRAWING IS SUPPLIED FOR INFORMATION ONLY. DESIGN FEATURES, SPECIFICATIONS AND PERFORMANCE DATA SHOWN HEREON ARE THE PROPERTY OF THE AMPHENOL CORPORATION. NO RIGHTS OF REPRODUCTION ARE IMPLIED. ALL DIMENSIONS ARE SUBJECT TO NORMAL MANUFACTURING VARIATIONS.		
NEXT ASSY:		SCALE: NONE		
		SIZE: B C-	DWG NO: AT60-12-01XX	REVISION: B1
		SHEET 1 OF 1		

Amphenol
Sine Systems - www.amphenol-sine.com
44724 Morley Drive
Clinton Township, MI 48036

CONTACT, PIN, STAMPED, SIZE 12, 12-14 AWG, A SERIES

TITLE: CONTACT, PIN, STAMPED, SIZE 12, 12-14 AWG, A SERIES
DWG NO: AT60-12-01XX
REV: B1
SH: 1
OF: 1