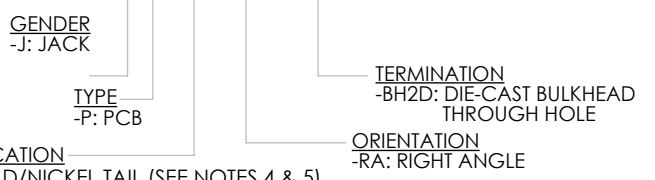


THIS PRODUCT MANUFACTURED WITH LEAD-FREE PROCESSING

DESIGNED & DIMENSIONED IN MILLIMETERS [INCHES]

DO NOT SCALE FROM THIS PRINT

BNC7T-J-P-XX-RA-BH2D



PLATING SPECIFICATION
 -HN: HEAVY GOLD/NICKEL TAIL (SEE NOTES 4 & 5)
 (SUB-BNC7T-J-P-HN-RA-BH2-D)
 (BTNC-NUT-003-N)
 (BTNC-LWAS-001-N)
 -GN: GOLD/NICKEL TAIL (SEE NOTES 4 & 5)
 (SUB-BNC7T-J-P-GN-RA-BH2-D)
 (BTNC-NUT-003-N)
 (BTNC-LWAS-001-N)

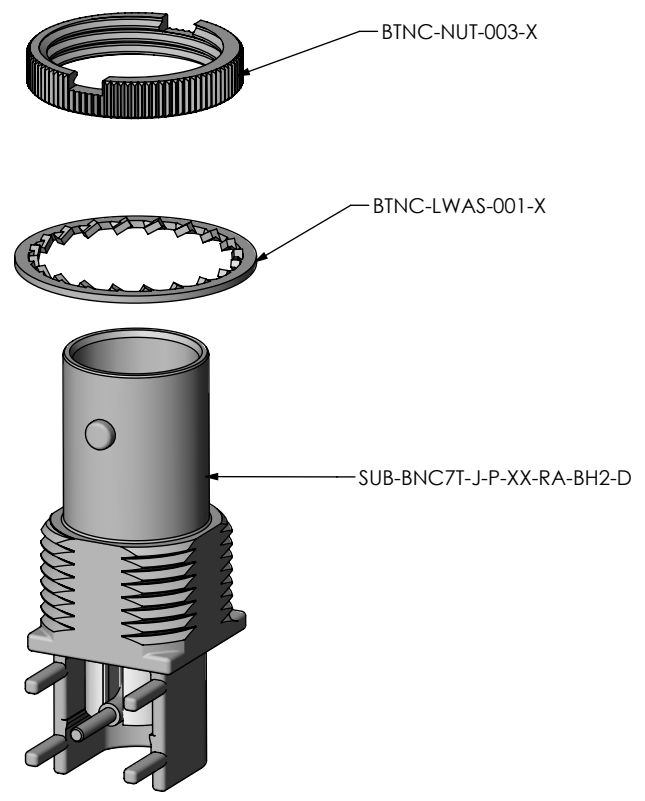
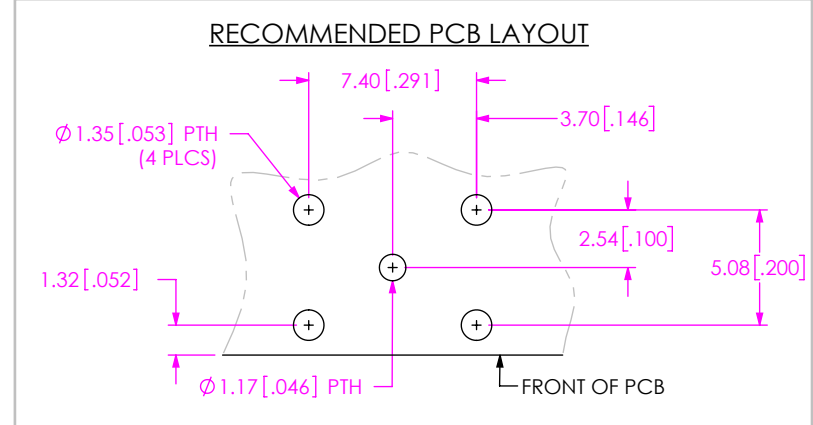
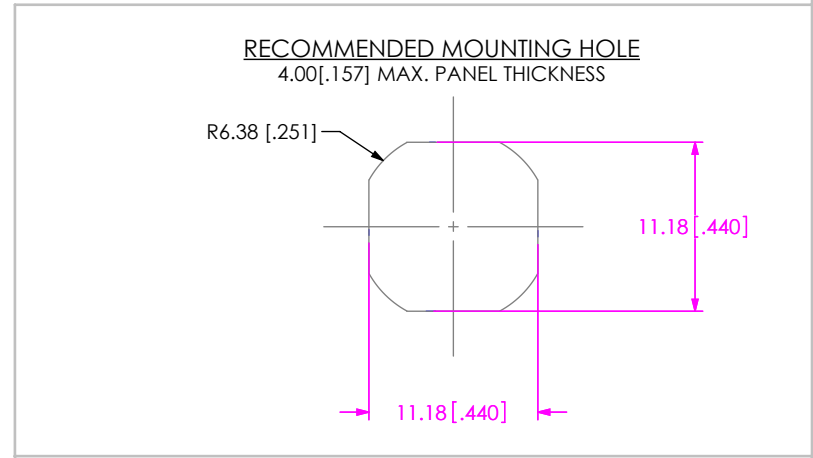

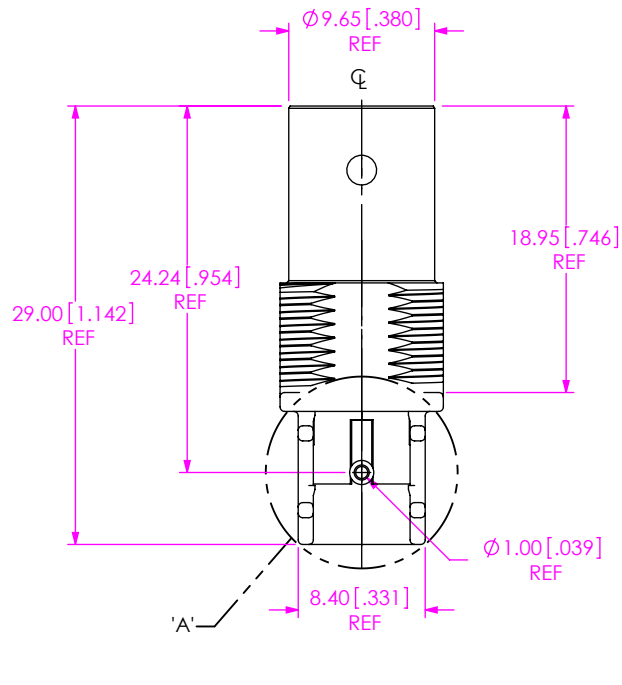
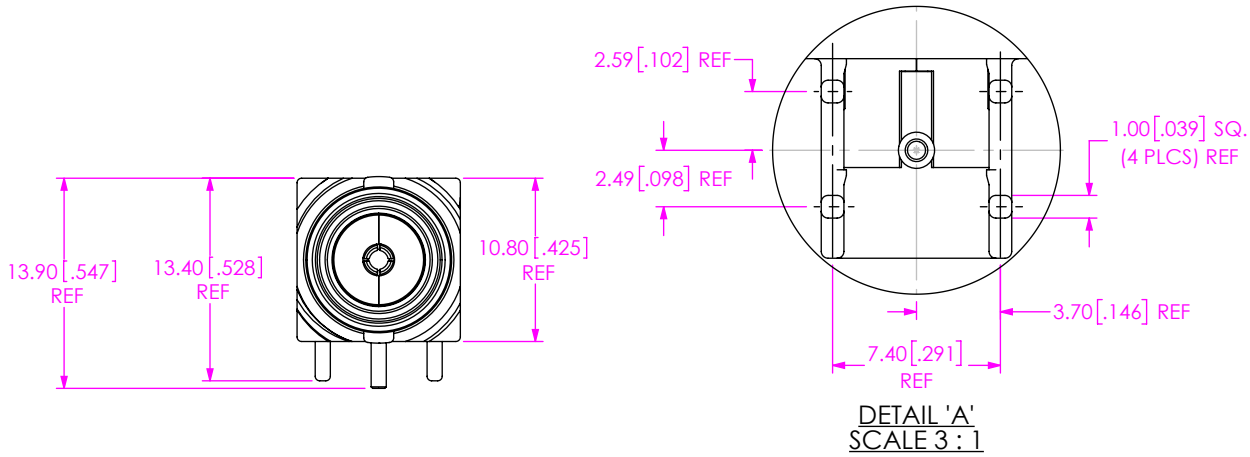


FIG 1
BNC7T-J-P-XX-RA-BH2D SHOWN

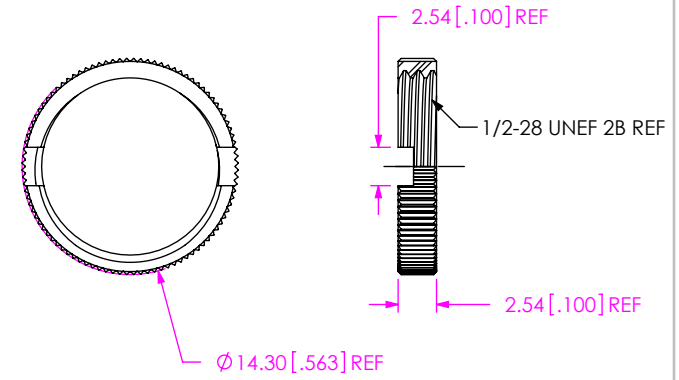
- NOTES:**
- ⊙ REPRESENTS A CRITICAL DIMENSION.
 - RoHS COMPLIANT.
 - NOTE DELETED.
 - COMPONENT PLATING DESIGNATIONS:
 -H: 0.000030" MIN. GOLD OVER 0.000050" MIN. NICKEL.
 -G: 0.000010" MIN. GOLD OVER 0.000050" MIN. NICKEL.
 -N: 0.000100" MIN. NICKEL.
 - ASSEMBLY PLATING DESIGNATIONS:
 -HN: (CENTER CONTACT)-H
 (OUTER CONTACT) -N
 (REMAINING METAL PARTS) -N
 -GN: (CENTER CONTACT)-G
 (OUTER CONTACT) -N
 (REMAINING METAL PARTS) -N



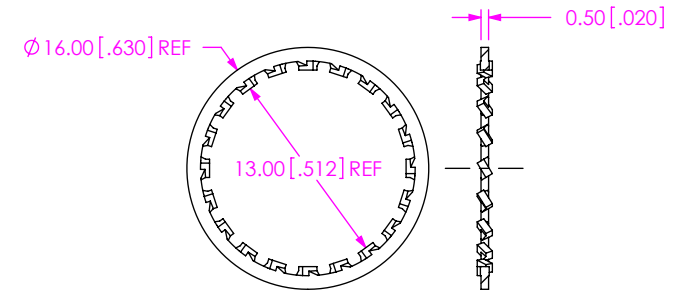
UNLESS OTHERWISE SPECIFIED, DIMENSIONS ARE IN MILLIMETERS [INCHES]. TOLERANCES ARE: DECIMALS ANGLES .X: ±0.3 [0.1] 5° .XX: ±0.13 [0.05] .XXX: ±0.051 [0.020]	PROPRIETARY NOTE THIS DOCUMENT CONTAINS CONFIDENTIAL AND PROPRIETARY INFORMATION AND ALL DESIGN, MANUFACTURING, REPRODUCTION, USE, PATENT RIGHTS AND SALES RIGHTS ARE EXPRESSLY RESERVED BY SAMTEC, INC. THIS DOCUMENT SHALL NOT BE DISCLOSED, IN WHOLE OR PART, TO ANY UNAUTHORIZED PERSON OR ENTITY NOR REPRODUCED, TRANSFERRED OR INCORPORATED IN ANY OTHER PROJECT IN ANY MANNER WITHOUT THE EXPRESS WRITTEN CONSENT OF SAMTEC, INC.	 520 PARK EAST BLVD, NEW ALBANY, IN 47150 PHONE: 812-944-6733 FAX: 812-948-5047 e-Mail: info@SAMTEC.com code: 55322
MATERIAL: DO NOT SCALE DRAWING SHEET SCALE: 2:1 SHELL: ZINC NUT, WASHER: BRASS CONTACT: COPPER ALLOY DIELECTRIC: TPX	DESCRIPTION: BNC RIGHT ANGLE JACK ASSEMBLY DWG. NO. BNC7T-J-P-XX-RA-BH2D BY: B. COOPER 11/5/2009 SHEET 1 OF 2	



SAMTEC PART NUMBER	ITEM	DESCRIPTION
SUB-BNC7T-J-P-XX-RA-BH2D	1	SUB ASSEMBLY



SAMTEC PART NUMBER	ITEM	DESCRIPTION
BTNC-NUT-003-X	3	KNURLED NUT



SAMTEC PART NUMBER	ITEM	DESCRIPTION
BTNC-LWAS-001-X	2	LOCKWASHER

PROPRIETARY NOTE
 THIS DOCUMENT CONTAINS CONFIDENTIAL AND PROPRIETARY INFORMATION AND ALL DESIGN, MANUFACTURING, REPRODUCTION, USE, PATENT RIGHTS AND SALES RIGHTS ARE EXPRESSLY RESERVED BY SAMTEC, INC. THIS DOCUMENT SHALL NOT BE DISCLOSED, IN WHOLE OR PART, TO ANY UNAUTHORIZED PERSON OR ENTITY NOR REPRODUCED, TRANSFERRED OR INCORPORATED IN ANY OTHER PROJECT IN ANY MANNER WITHOUT THE EXPRESS WRITTEN CONSENT OF SAMTEC, INC.

DO NOT SCALE DRAWING

SHEET SCALE: 2:1



520 PARK EAST BLVD, NEW ALBANY, IN 47150
 PHONE: 812-944-6733 FAX: 812-948-5047
 e-Mail: info@SAMTEC.com code: 55322

DESCRIPTION:
 BNC RIGHT ANGLE JACK ASSEMBLY

DWG. NO.
 BNC7T-J-P-XX-RA-BH2D

BY: B. COOPER 11/5/2009 SHEET 2 OF 2